

ULTRA POP-UP DRAIN ASSEMBLY

- *Push pop-up drain*
- *With overflow*
- *For vessel/vanity sink with minimum 1-5/8" diameter drain hole*

STANDARD SPECIFICATIONS

- Metal body
- Non-metallic spring mechanism

FINISHES INCLUDE

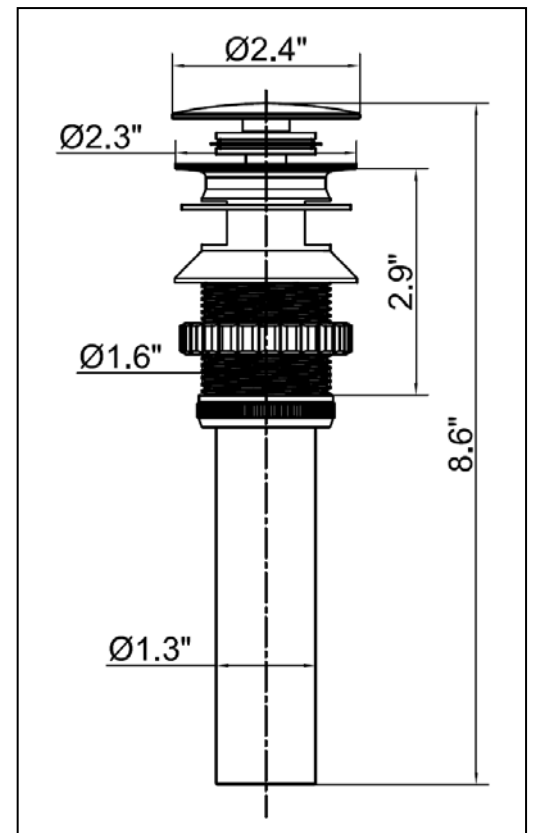
- Chrome (UFP-1002)
- Brushed Nickel (UFP-1302)
- Oil Rubbed Bronze (UFP-1502)
- Matte Black (UFP-1702)

WARRANTY

- Limited lifetime warranty on workmanship and materials, and one year on the finish to the original purchaser

COMPLIES WITH

- ASME A112.18.2
- CSA B125.2



tel. 888-OK-ULTRA (658-5872) • fax. 949-252-9989 • <http://www.ultrafaucets.com>

This specification is provided for reference only. Ultra Faucets reserves the right to modify specifications and materials without notice or obligation.