

60" ACRYLIC SHOWER TRAY

WHITE

SKU: 948148



FEATURES

- Product Finish: White
- Material: Acrylic
- 60" x 30" overall dimensions:
60" L x 30" W x 3-11/16" H.
- 60" x 32" overall dimensions:
60" L x 31-3/4" W x 3-3/4" H.
- 60" x 34" overall dimensions:
60" L x 33-7/8" W x 3-11/16" H.
- 60" x 36" overall dimensions:
60" L x 36" W x 3-11/16" H.
- One-piece construction.
- Integral tile flange.
- Non-skid surface.

SIGNATURE HARDWARE Lifetime Warranty

See website for detailed warranty information.

CONTENTS

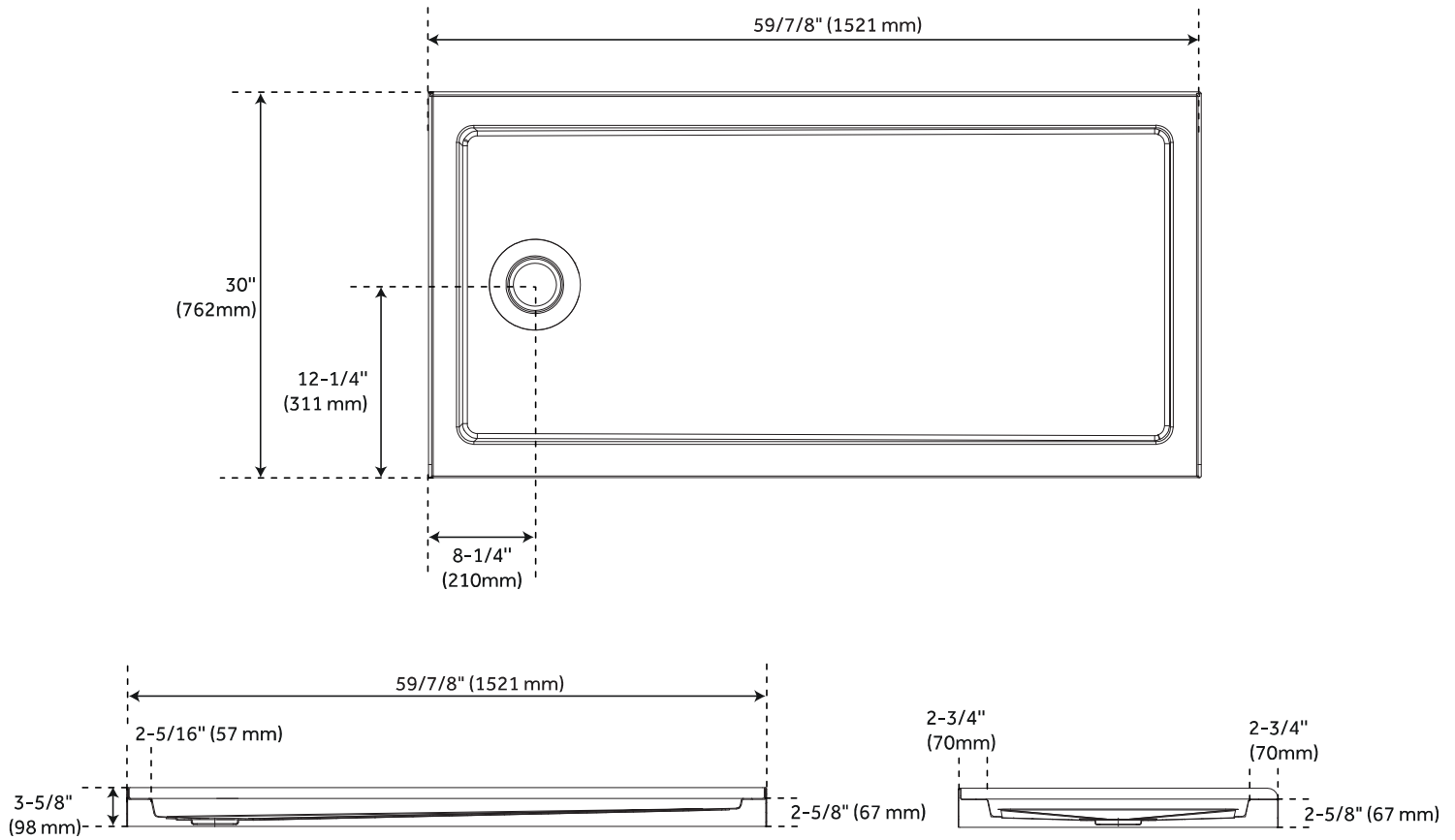
60 X 30 SHOWER TRAY	PAGE 2
60 X 32 SHOWER TRAY	PAGE 3
60 X 34 SHOWER TRAY	PAGE 4
60 X 36 SHOWER TRAY	PAGE 5

REVISED 10/08/2021

60" ACRYLIC

60 X 30 SHOWER TRAY

SKU: 948148



FEATURES

59-7/8" x 30" overall dimensions:

Length: 59-7/8"

Width: 30"

Height: 3-5/8"

One-piece construction.

Integral tile flange.

Non-skid surface.

CODES/STANDARDS

cUPC

CSA B45.5/IAPMO Z124

SIGNATURE HARDWARE

LIFETIME WARRANTY

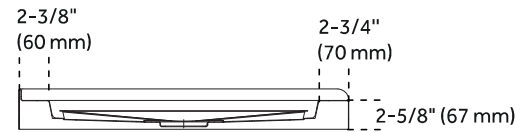
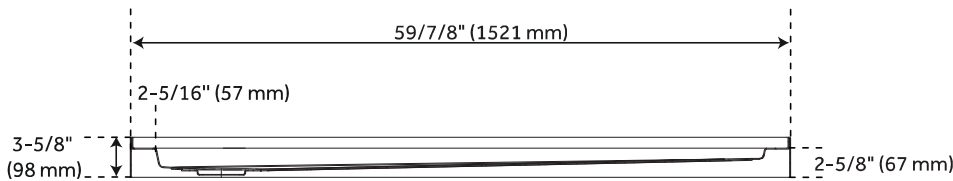
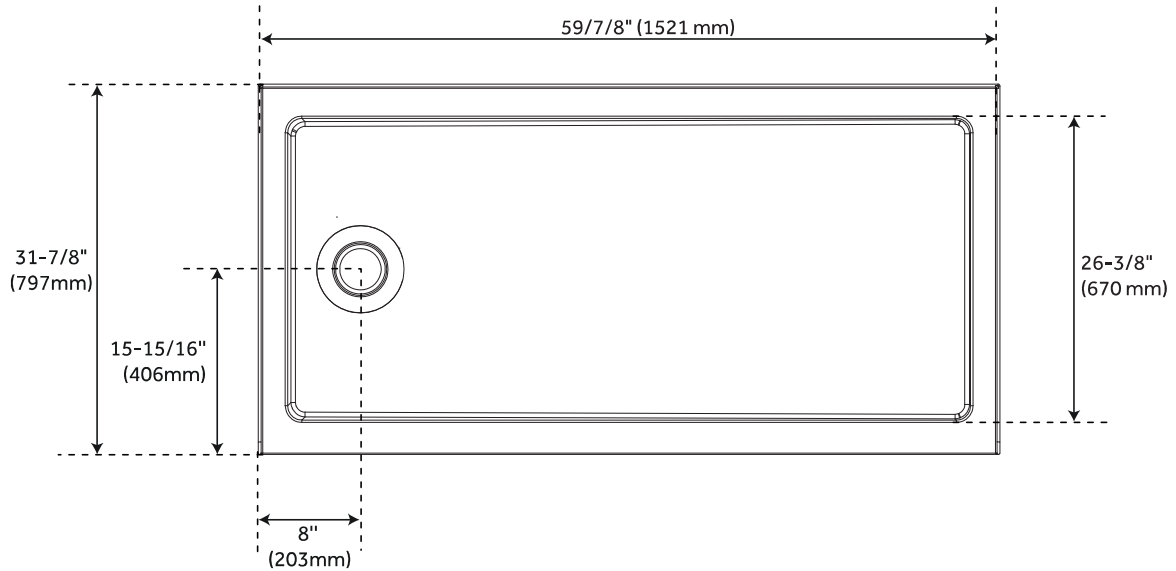
See website for warranty information



60" ACRYLIC

60 X 32 SHOWER TRAY

SKU: 948148



FEATURES

59-7/8" x 31-7/8" overall dimensions:

Length: 59-7/8"

Width: 31-7/8"

Height: 3-5/8"

One-piece construction.

Integral tile flange.

Non-skid surface.

CODES/STANDARDS

cUPC

CSA B45.5/IAPMO Z124

Massachusetts Accepted

SIGNATURE HARDWARE

LIFETIME WARRANTY

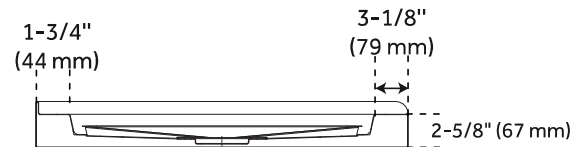
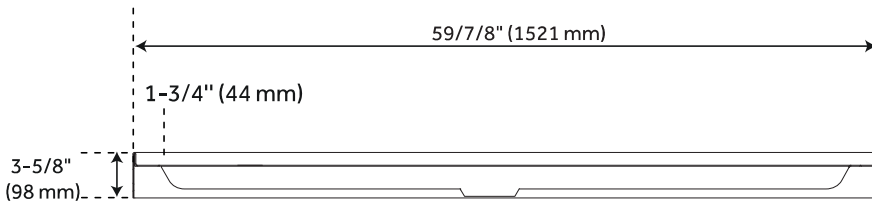
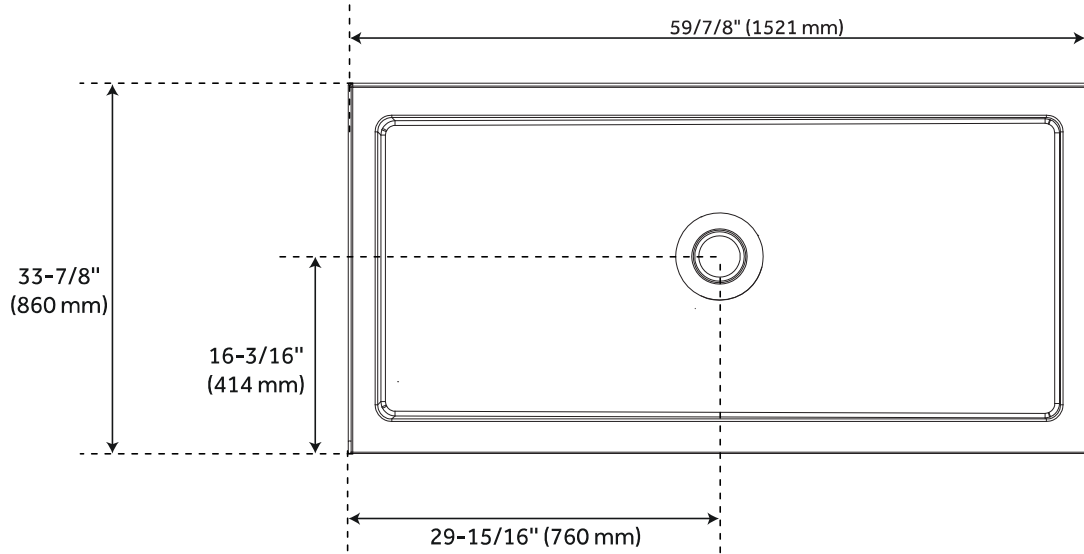
See website for warranty information



60" ACRYLIC

60 X 34 SHOWER TRAY

SKU: 948148



FEATURES

59-7/8" x 33-7/8" overall dimensions:

Length: 59-7/8"

Width: 33-7/8"

Height: 3-5/8"

One-piece construction.

Integral tile flange.

Non-skid surface.

CODES/STANDARDS

cUPC

CSA B45.5/IAPMO Z124

Massachusetts Accepted

SIGNATURE HARDWARE

LIFETIME WARRANTY

See website for warranty information



All dimensions and specifications are nominal and may vary. Use actual products for accuracy in critical situations.

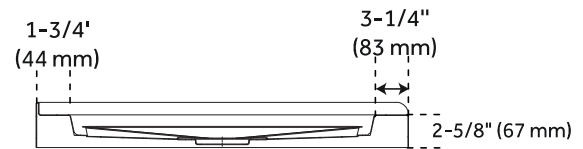
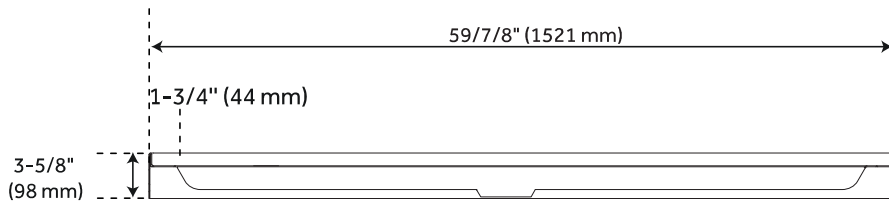
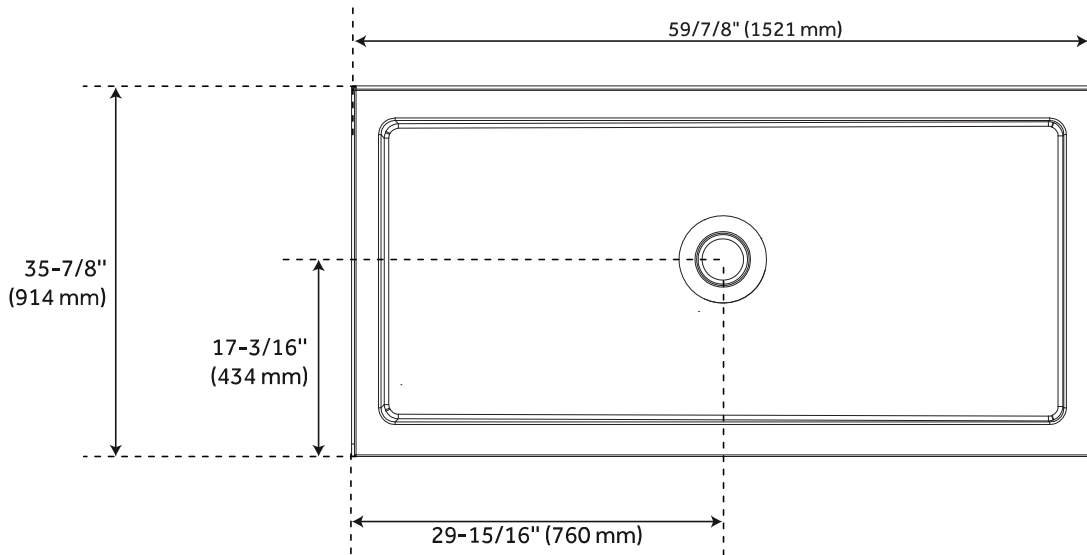
PAGE 4

CODE: SHS6034WH

60" ACRYLIC

60 X 36 SHOWER TRAY

SKU: 948148



FEATURES

59-7/8" x 35-7/8" overall dimensions:

Length: 59-7/8"

Width: 35-7/8"

Height: 3-5/8"

One-piece construction.

Integral tile flange.

Non-skid surface.

CODES/STANDARDS

cUPC

CSA B45.5/IAPMO Z124

Massachusetts Accepted

SIGNATURE HARDWARE

LIFETIME WARRANTY

See website for warranty information



All dimensions and specifications are nominal and may vary. Use actual products for accuracy in critical situations.

PAGE 5

CODE: SHSB6036WH