

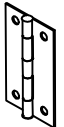




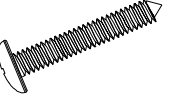
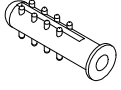
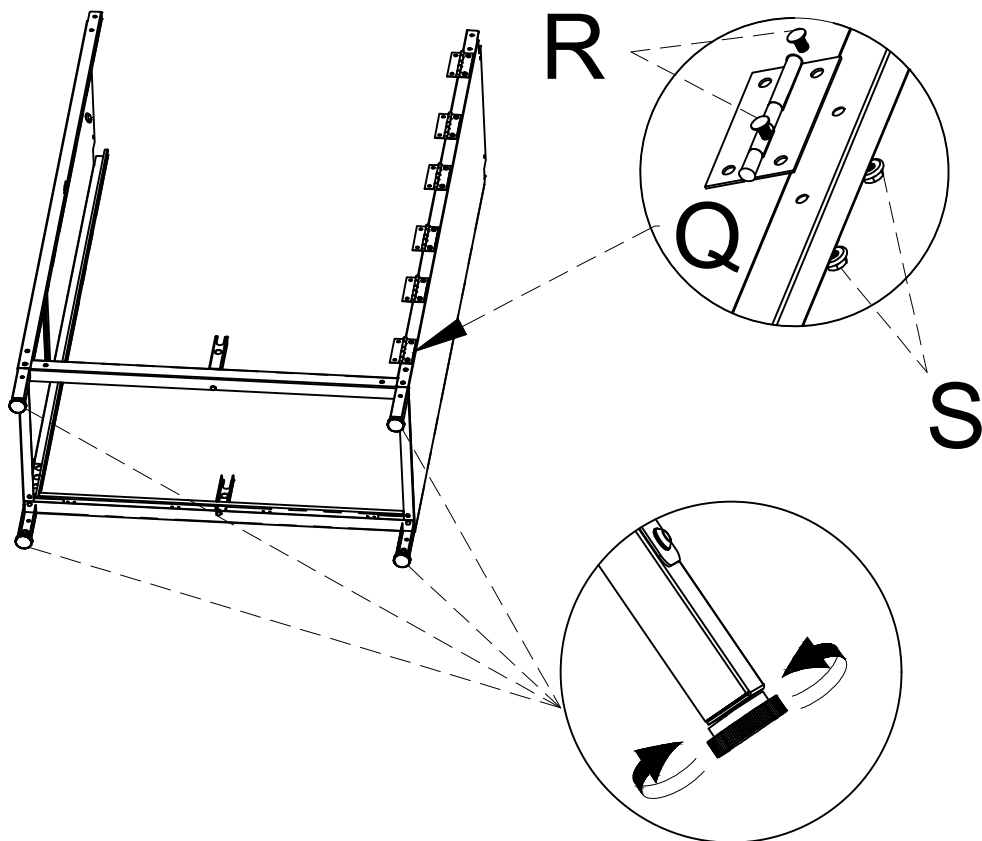
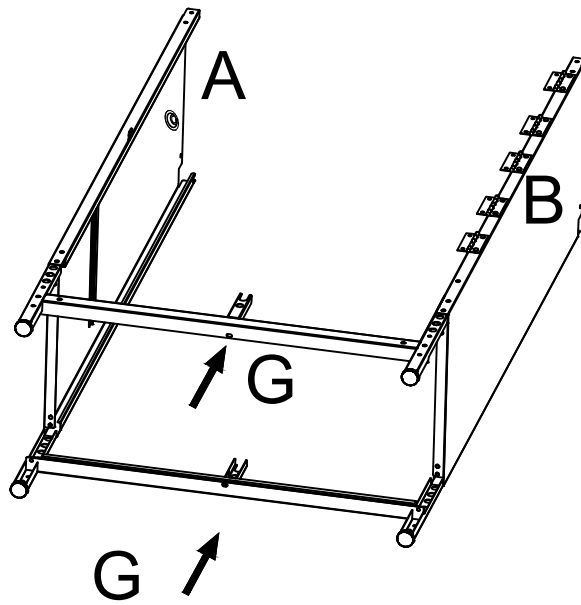


O		x2	P		x2	Q		x1
R		x24	S		x24	T		x14
U		x4	V		x2	W		x2

step 1



R



x2

S



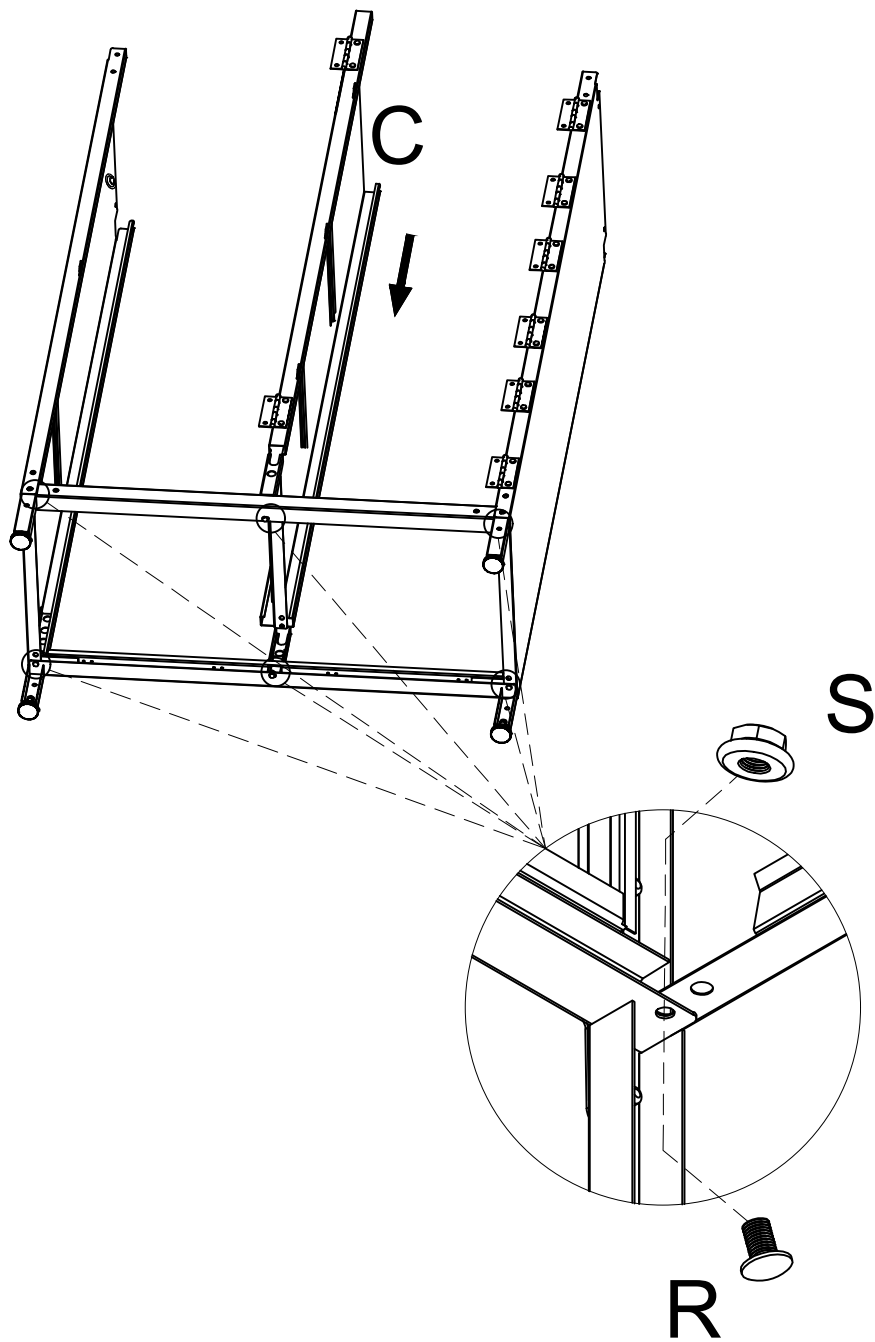
x2

Q



x1

step 2



R



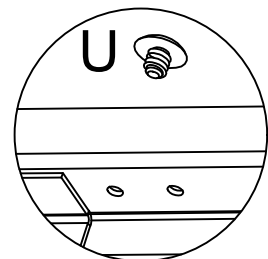
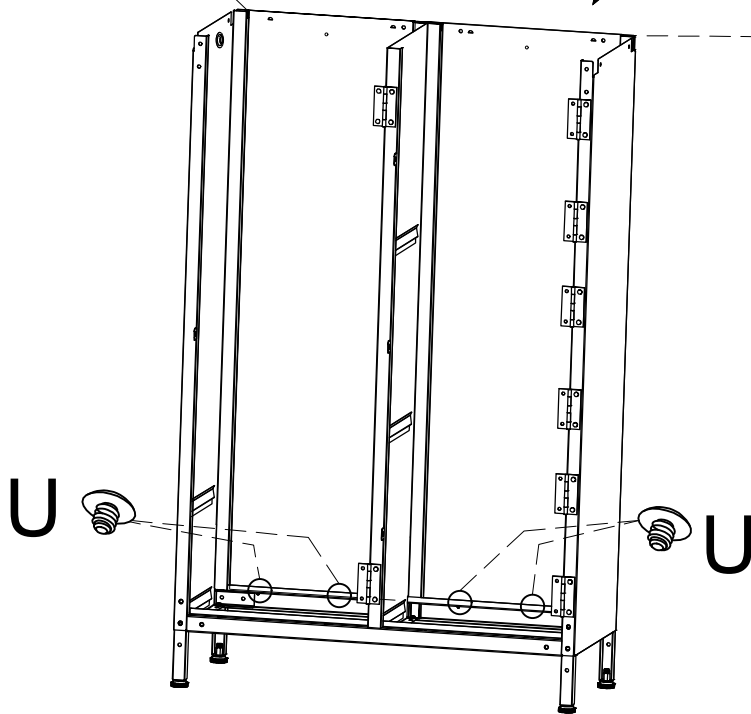
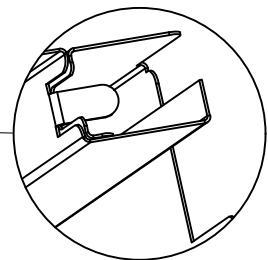
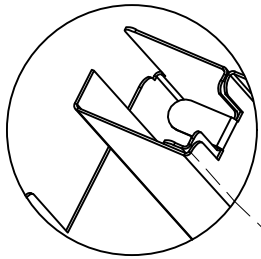
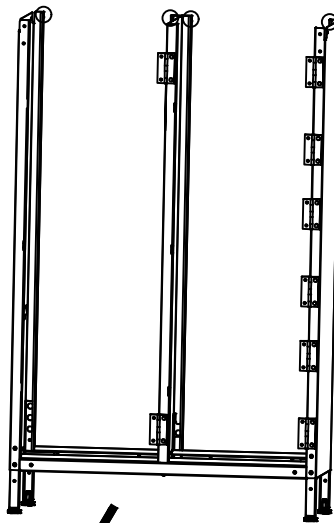
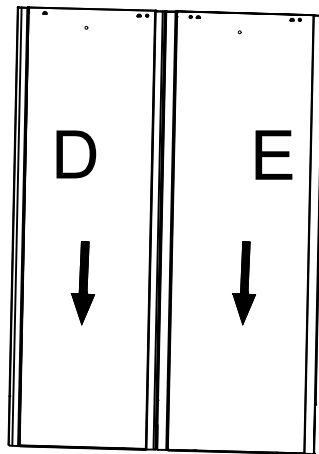
x6

S



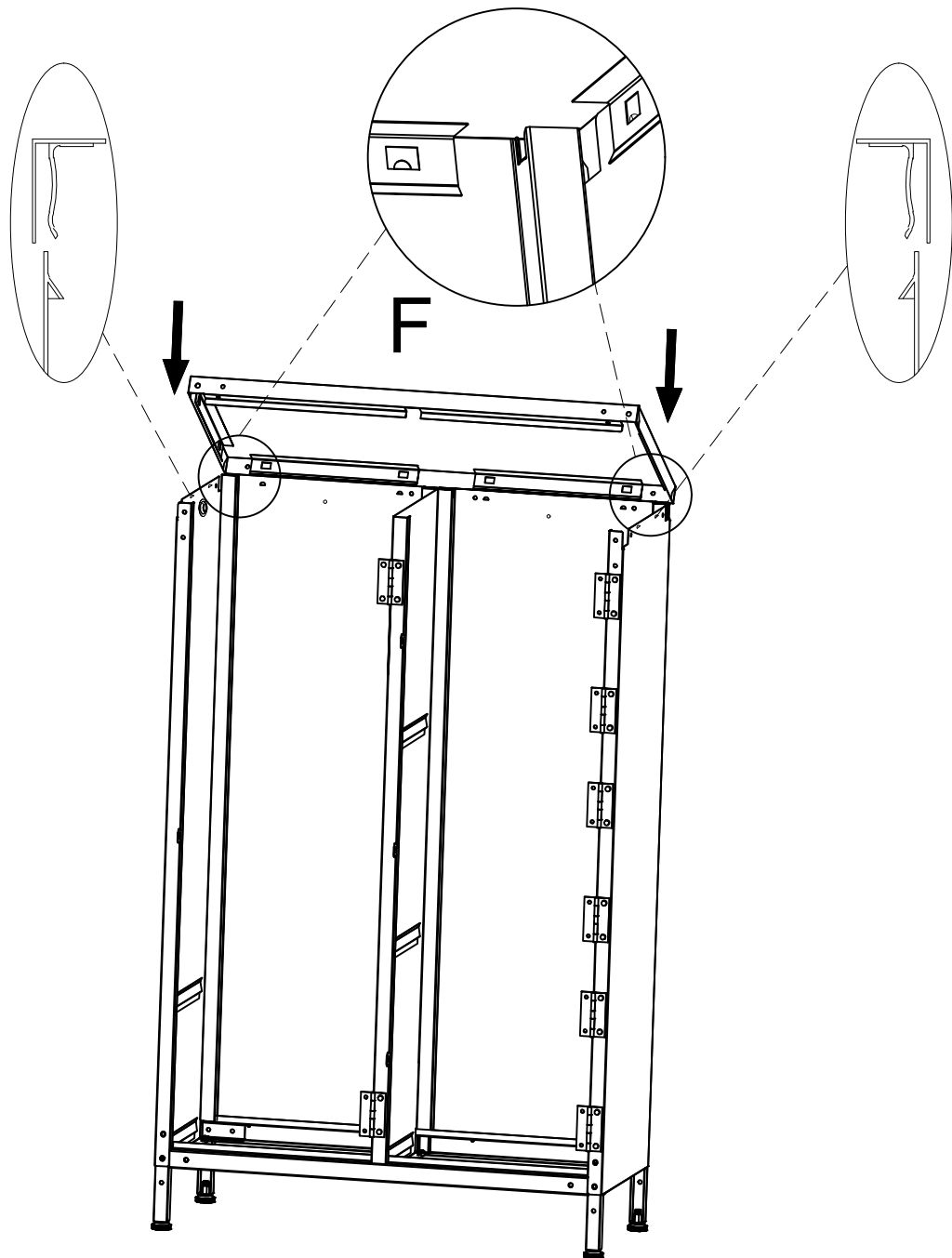
x6

step 3

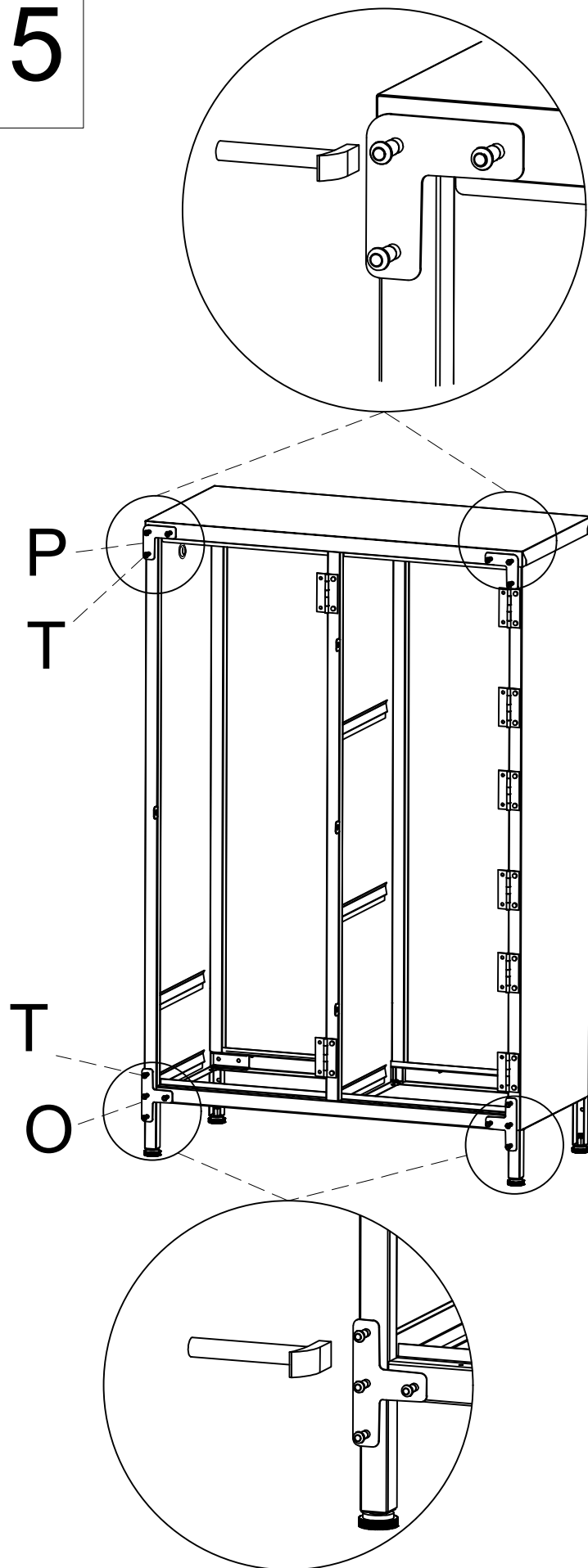


U  x4

step 4



step 5



O



x2

P



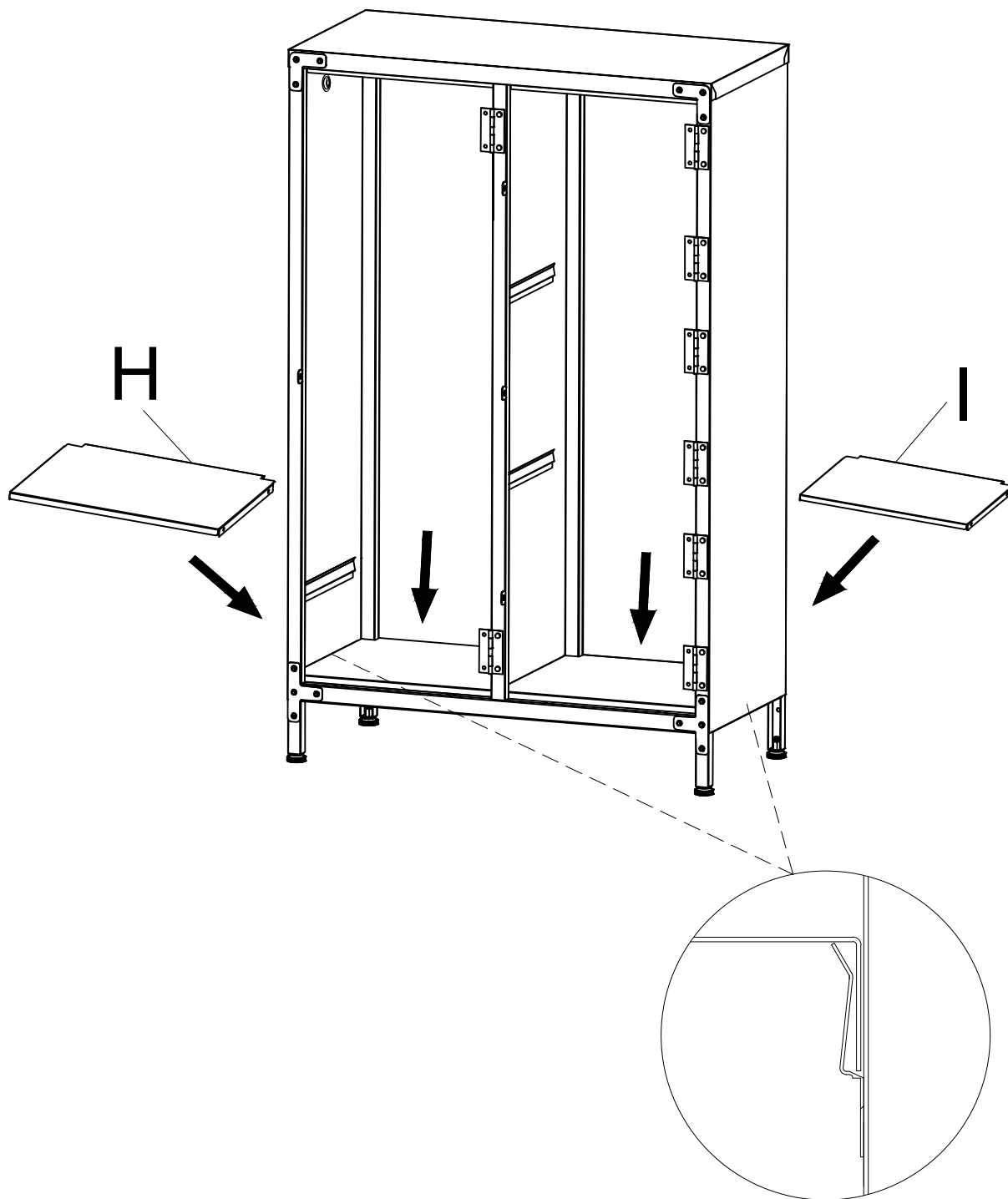
x2

T

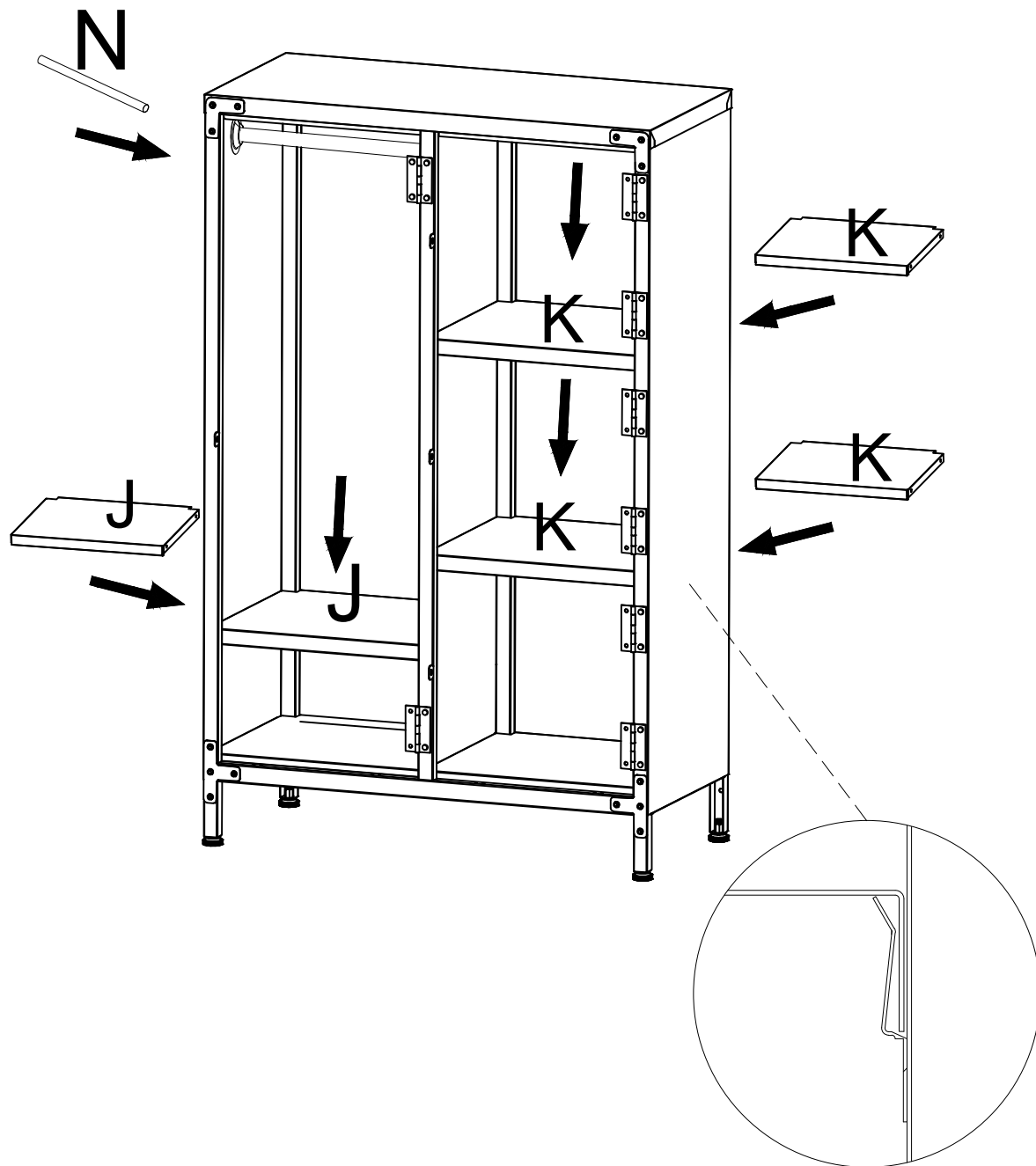


x14

step 6

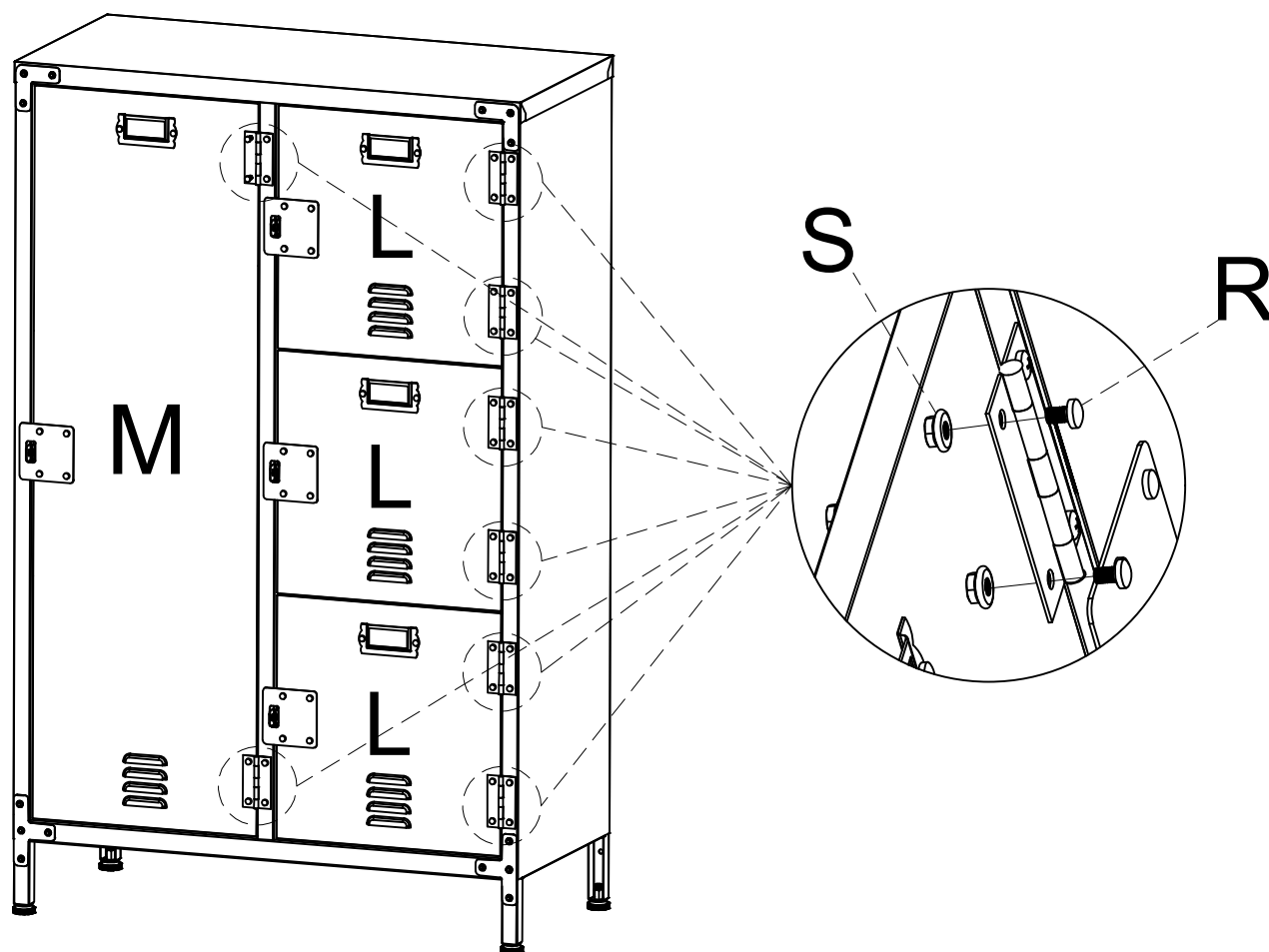


step 7



step 8

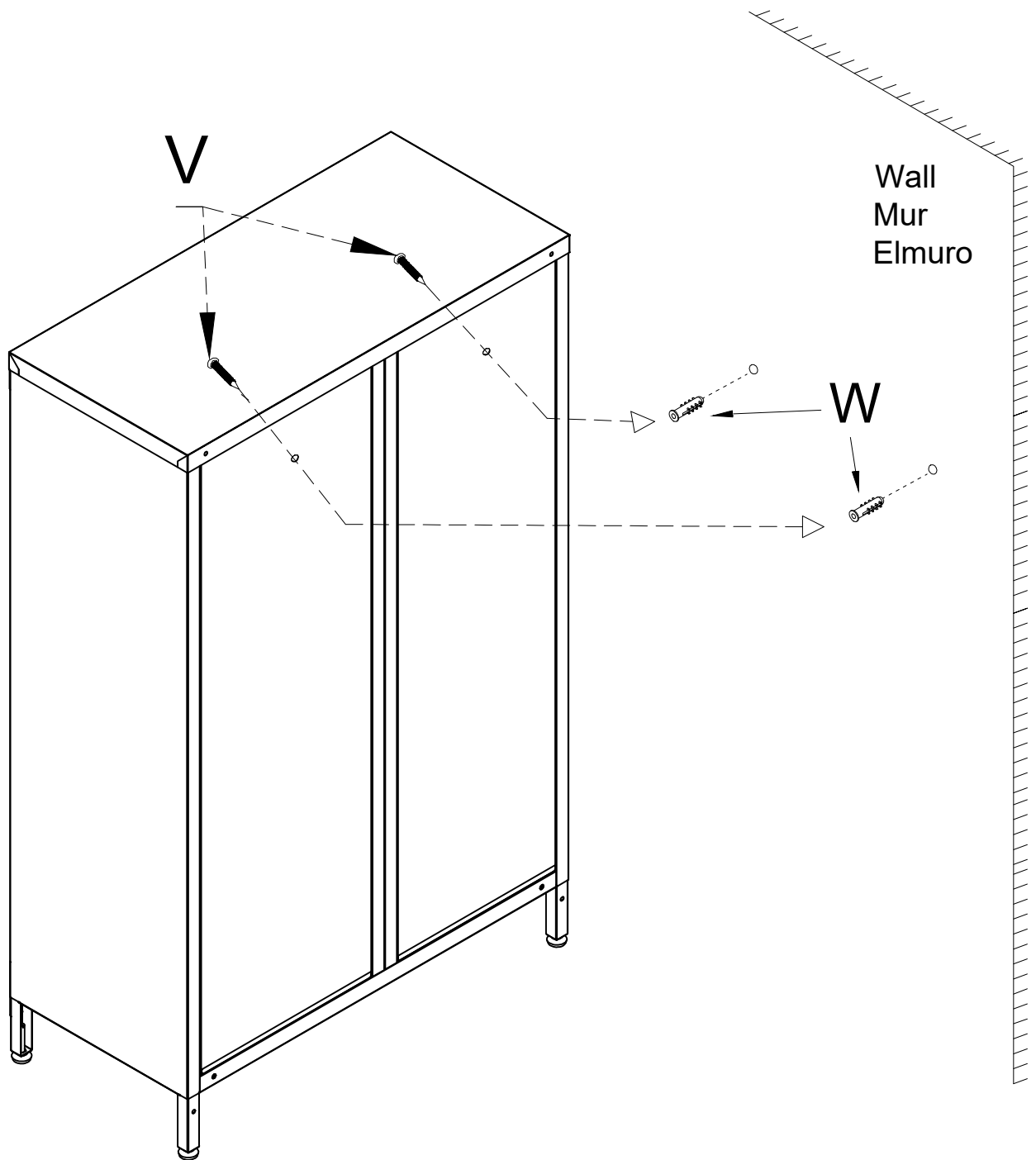
Adjust parts M and L clearance,
and then fastening accessories S
More spare parts be prepared just in case



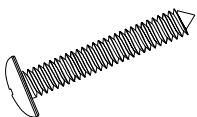
R  x16

S  x16

step 9

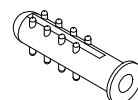


V



x2

W



x2