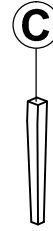
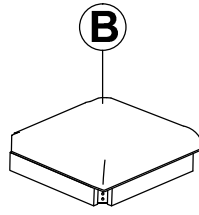
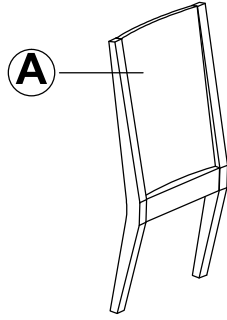


DINING CHAIR ASSEMBLY INSTRUCTIONS

PARTS PACKING CONFIGURATIONS

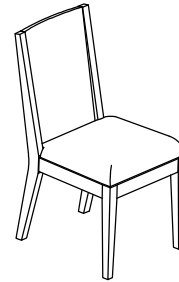
- A. CHAIR BACK 1 PC
- B. SEAT CUSHION 1 PC
- C. CHAIR LEG 2 PCS



HARDWARE ENCLOSED IN CARTON

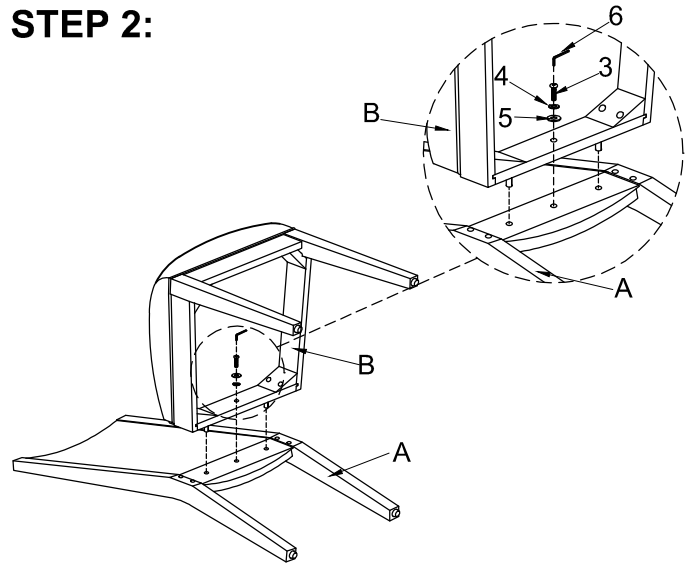
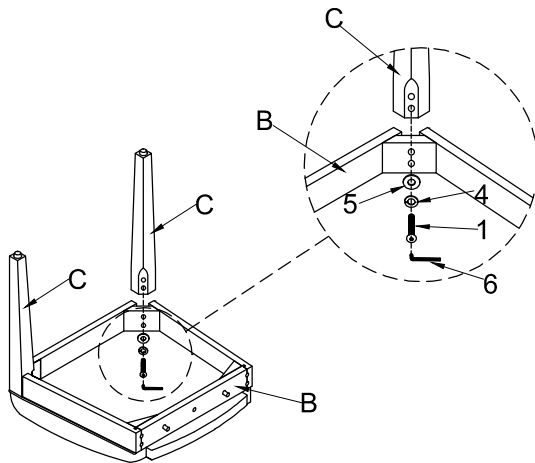
CHAIR FULLY ASSEMBLED

| No | Description | Photo | Quantity |
|----|---------------------------|-------|----------|
| 1 | ALLEN BOLT (5/16 x 2-1/4) | | 4PCS |
| 2 | ALLEN BOLT (5/16 x 3) | | 4PCS |
| 3 | ALLEN BOLT (5/16 x 1-3/4) | | 1PC |
| 4 | LOCK WASHER (5/16) | | 9PCS |
| 5 | FLAT WASHER (5/16) | | 9PCS |
| 6 | ALLEN KEY | | 1PC |



STEP 1:

STEP 2:

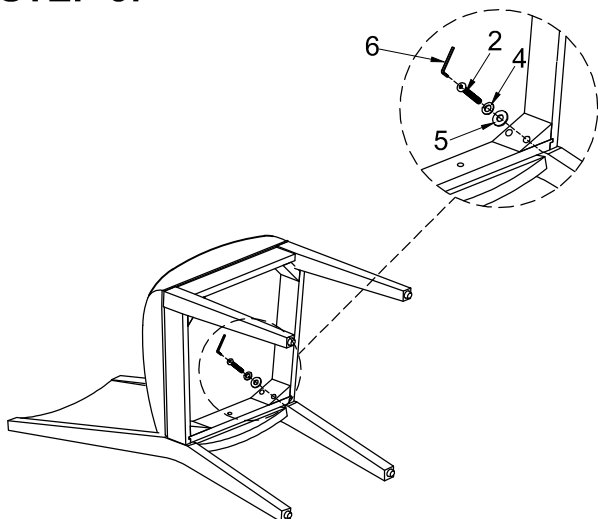


DO NOT TIGHTEN BOLTS COMPLETELY

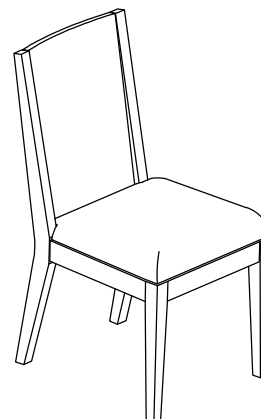
DO NOT TIGHTEN BOLTS COMPLETELY

STEP 3:

STEP 4:



ON A FLAT, LEVEL SURFACE PLACE THE CHAIR UPRIGHT. WHEN CHAIR IS LEVELED, PLEASE TIGHTEN ALL ASSEMBLY BOLTS WITH PROVIDED ALLEN KEY.



DO NOT TIGHTEN BOLTS COMPLETELY

FULLY ASSEMBLED