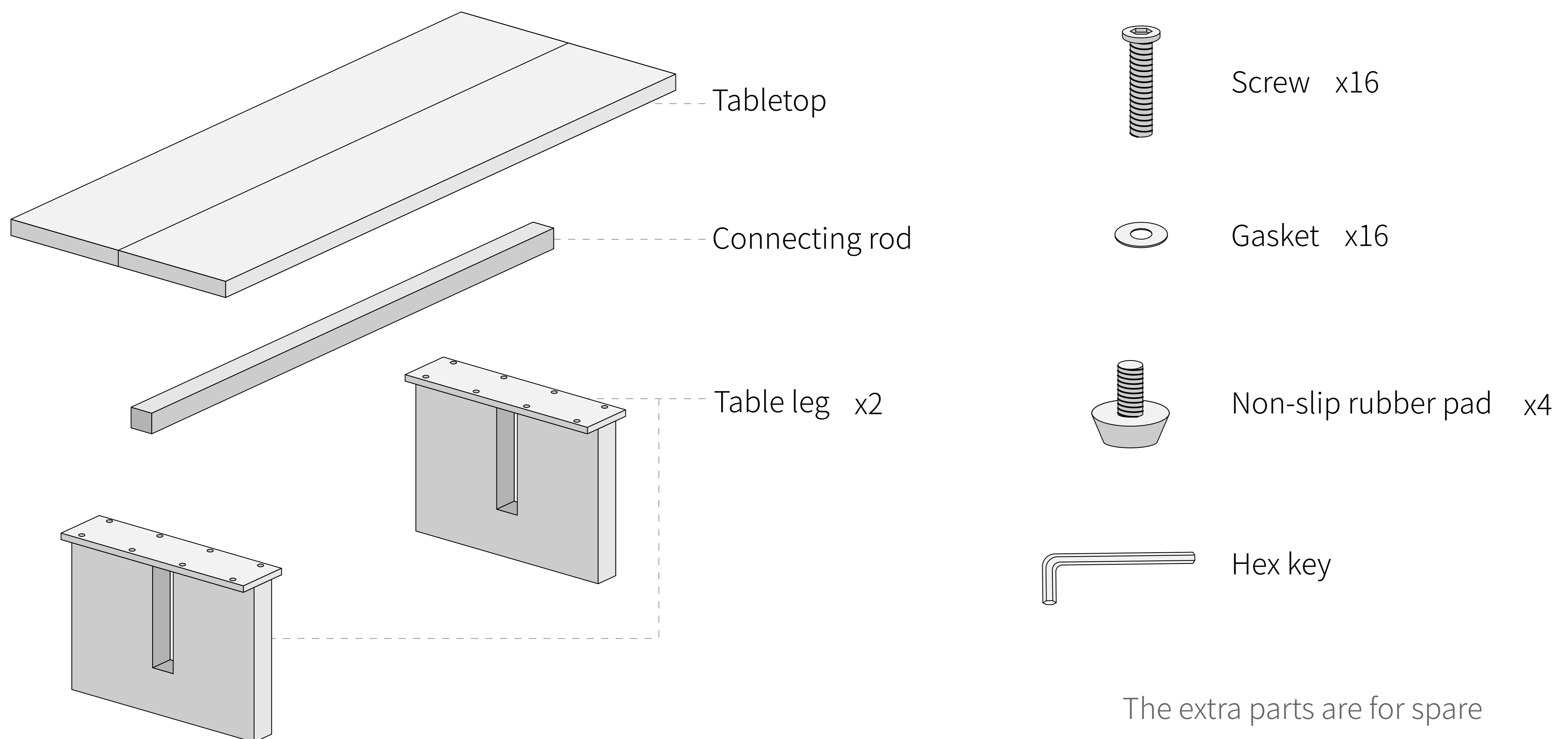


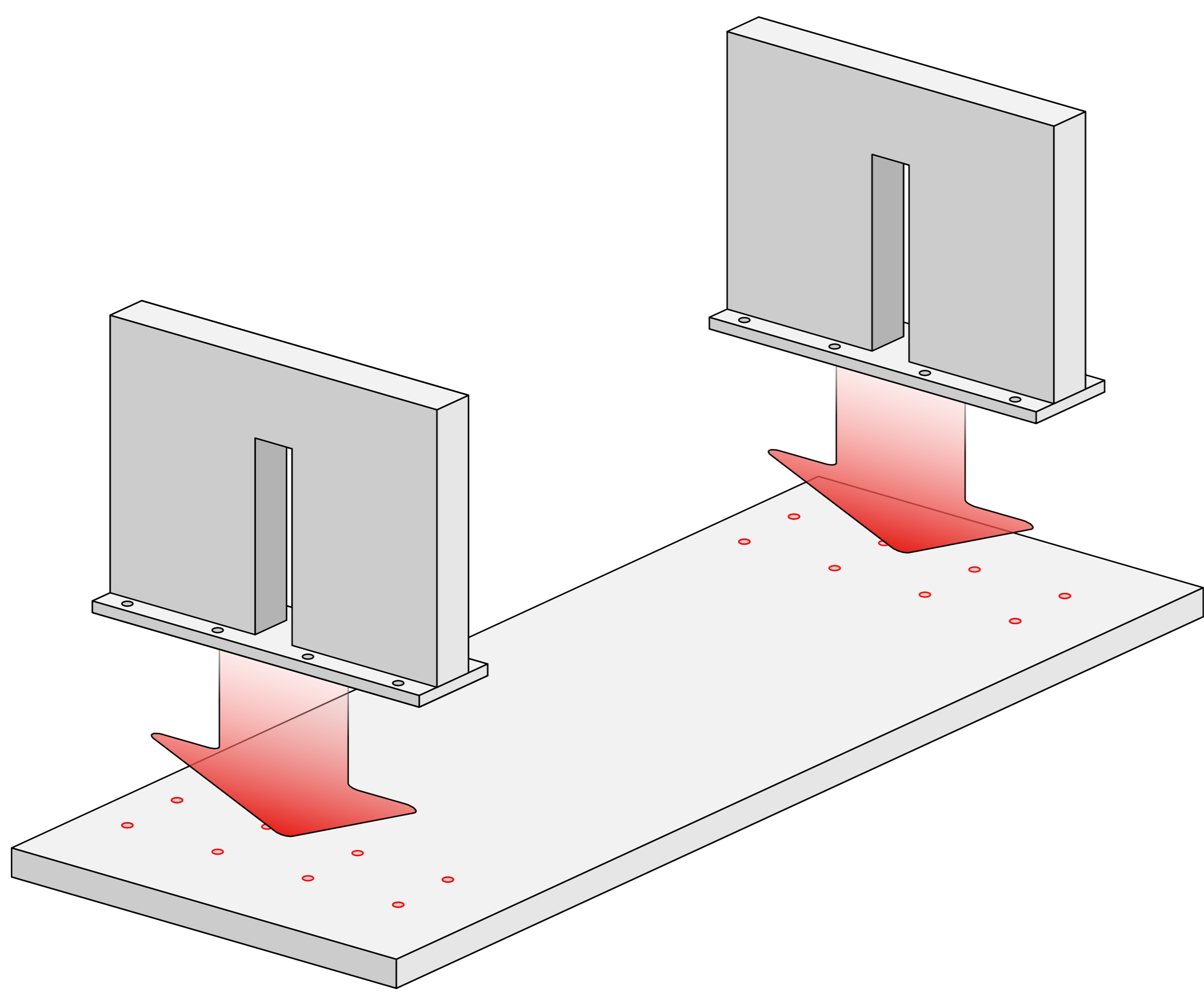
WOODEN TABLE INSTALLATION TUTORIAL

PARTS LIST



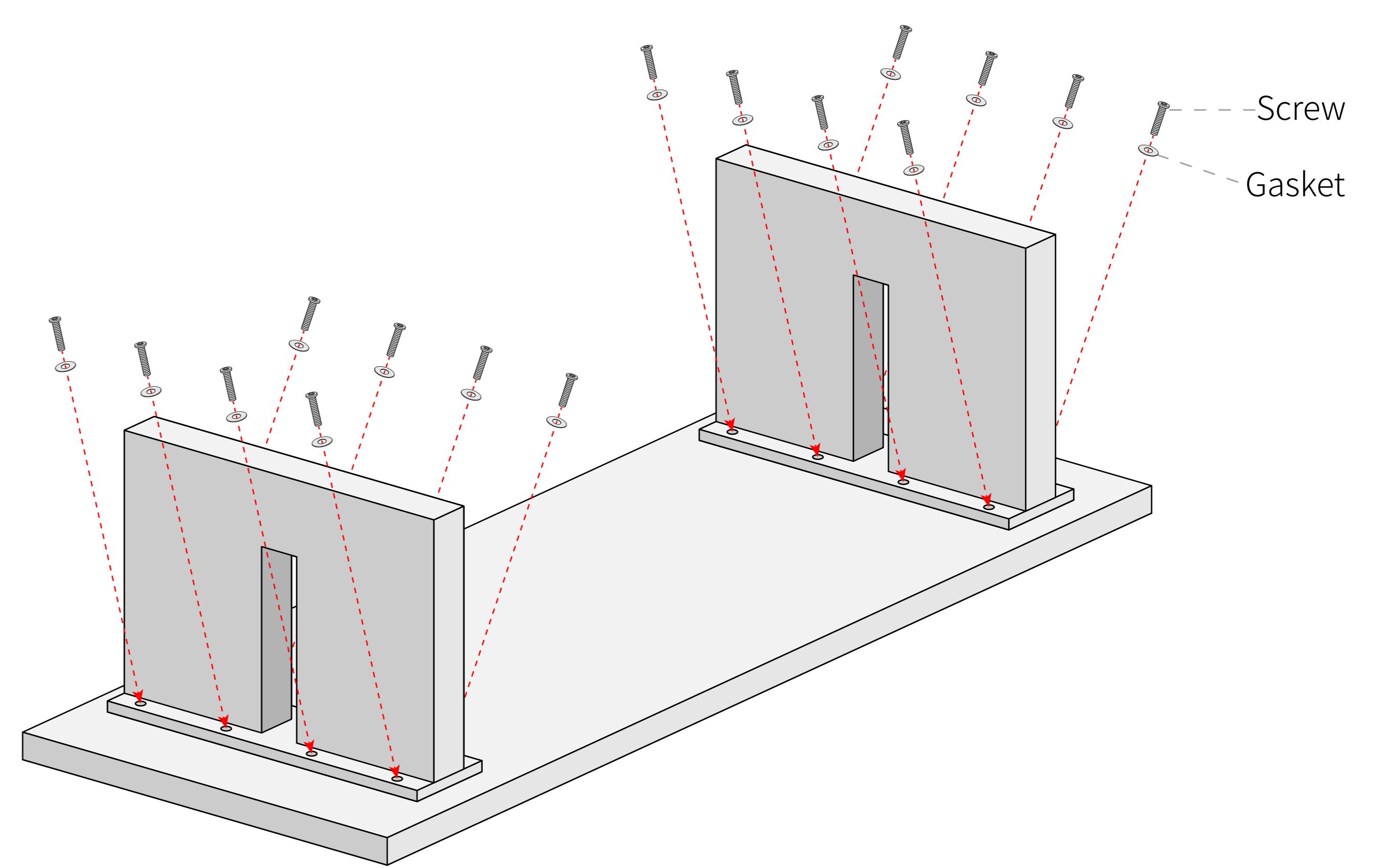
STEP 1

Turn the "Table leg" and "Tabletop" upside down and place them on the ground. Place the "Table leg" on the back of the "Tabletop", aligned with the holes.



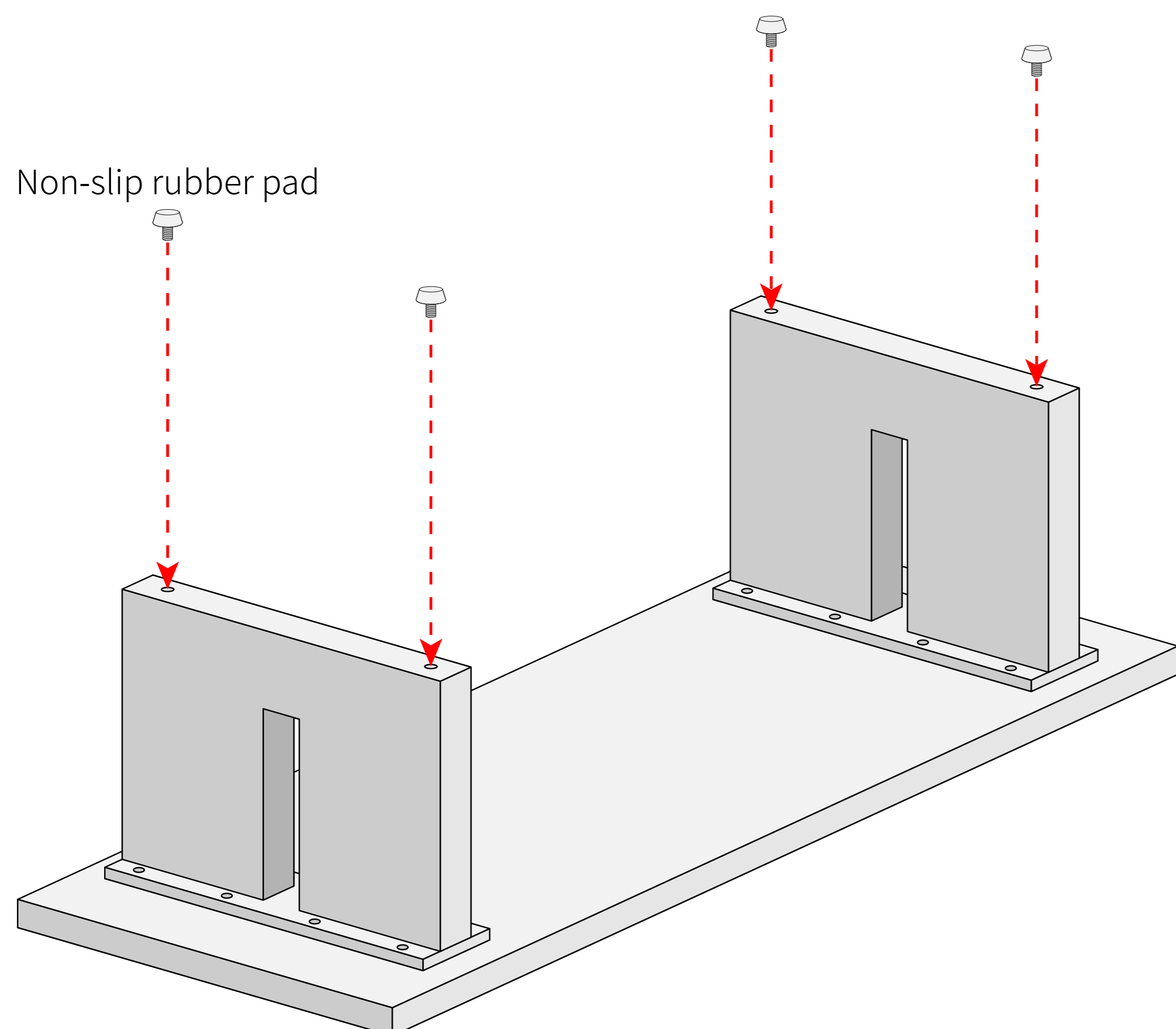
STEP 2

Use "screws" and "gaskets" to secure the "Table leg". Each "Table leg" needs eight "screws".



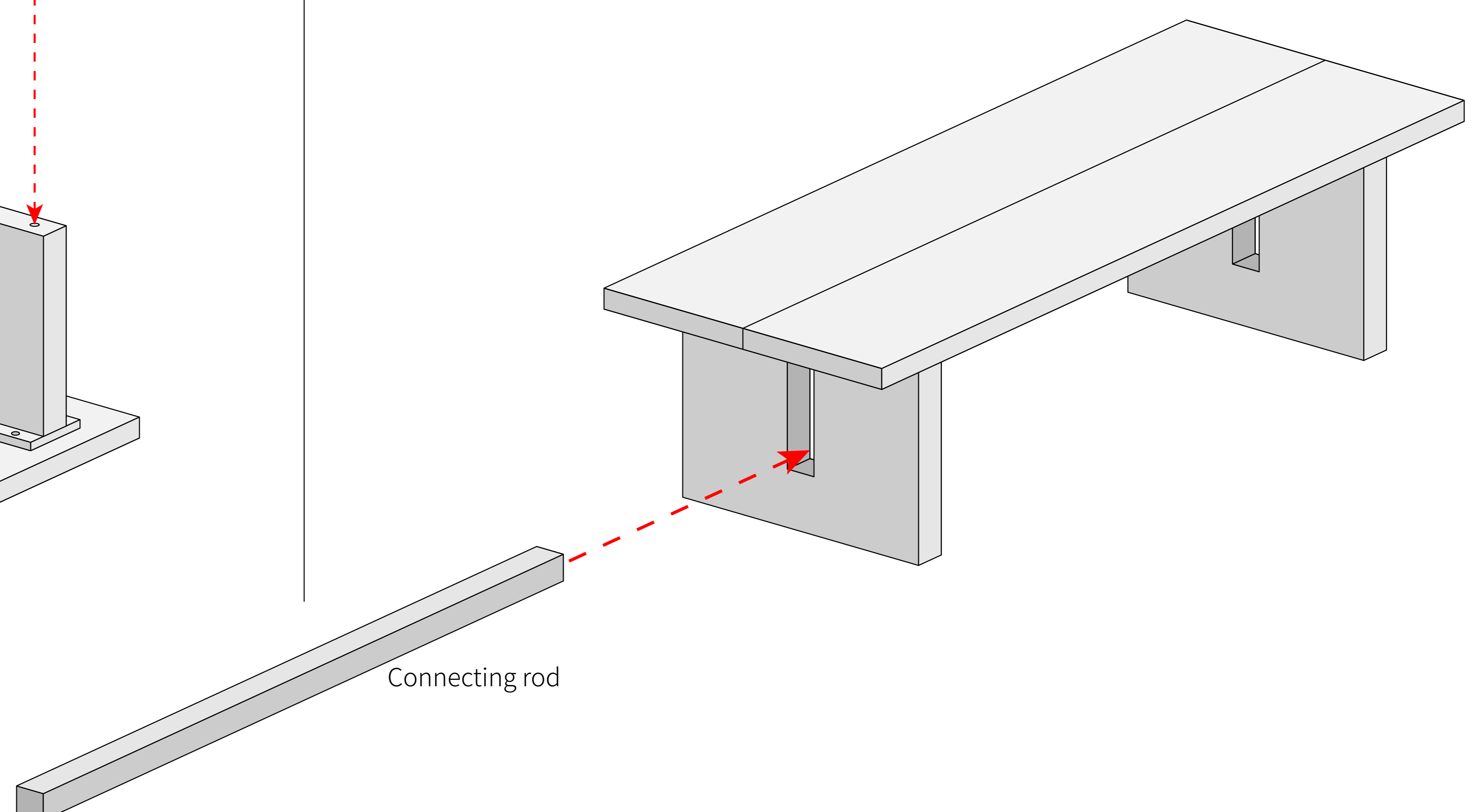
STEP 3

Install "Adjustable foot pads" on the "Table leg". Install two "Adjustable foot pads" on each "Table leg".

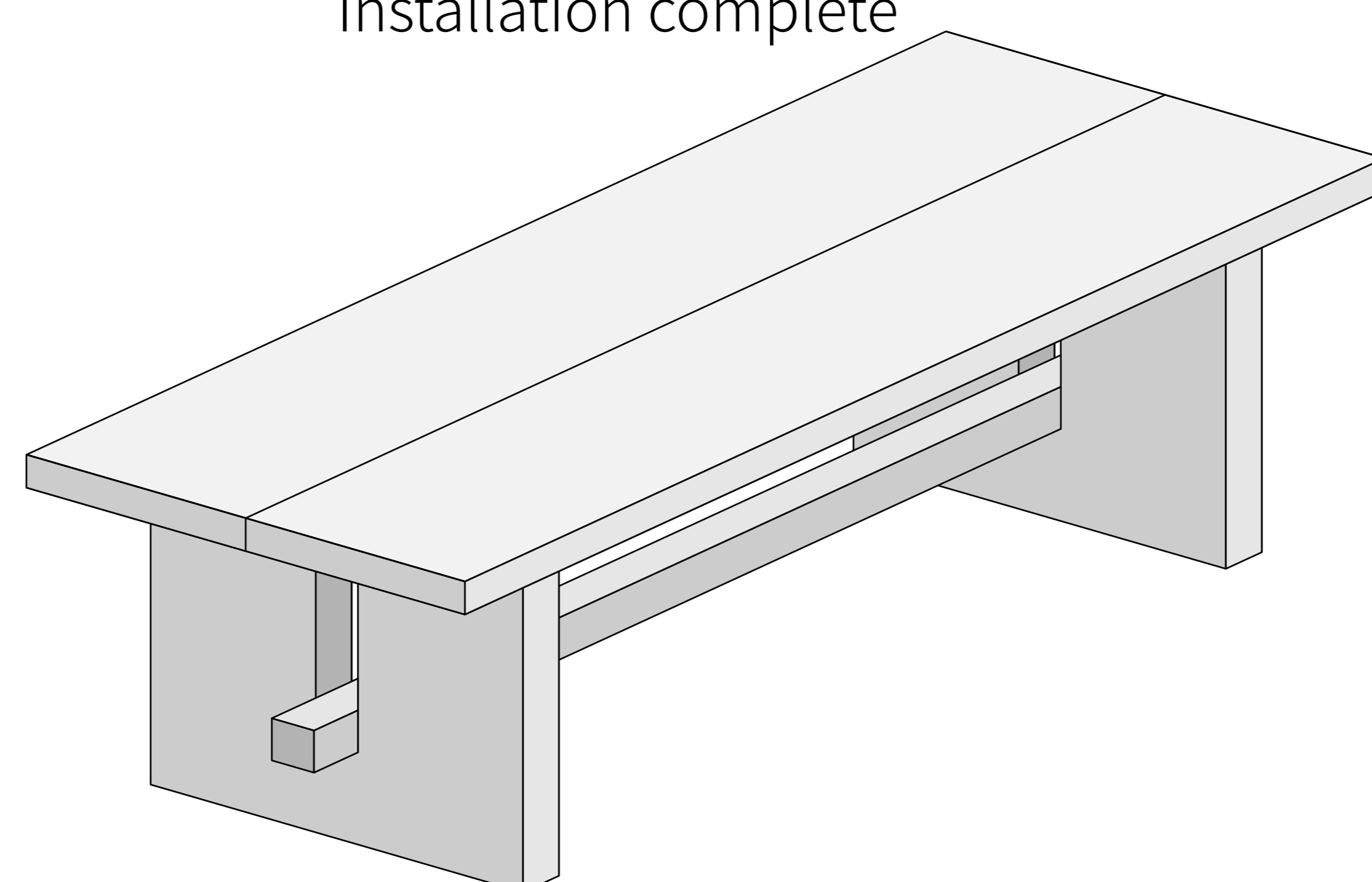


STEP 4

Pass the "connecting rod" through the hole in the middle of the "table leg". The "connecting rod" is movable and does not require screws for fixation.



Installation complete



MAINTENANCE OF FURNITURE

Solid wood furniture is derived from nature and requires proper maintenance methods.

1. Avoid prolonged exposure to strong sunlight
2. Avoid placing it at the air conditioning outlet or near the heater, at least 1.5 meters apart
3. Keep the indoor dry humidity stable, do not dry today wet tomorrow
4. Do not contact high-temperature items directly
5. The water stains on the surface of the furniture should be dried as soon as possible
6. Do not place any corrosive objects on the surface (such as alcohol/aromatherapy/nail polish remover/soft rubber and other products)