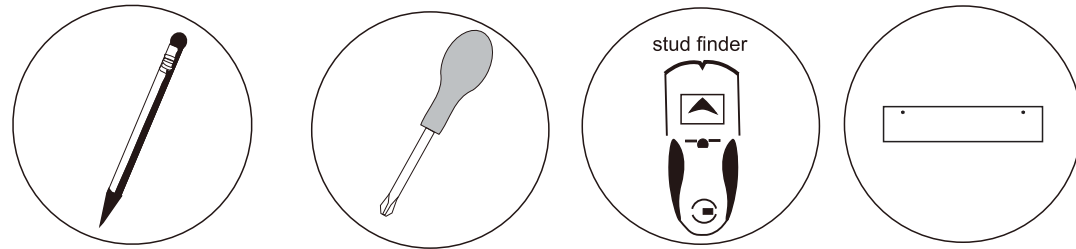


Maximum load claim
Whole shelf set: Holds up to 9lbs (4.1 kg)

WALL SHELF

with keyholes

TOOLS NEEDED



HARDWARE

plastic dry wall anchor
Size: 6mm \varnothing × 30mm L

philip head screws
Size: 4mm dia. × 30mm L

stud mounting screw
Size: 4mm \varnothing × 50mm L

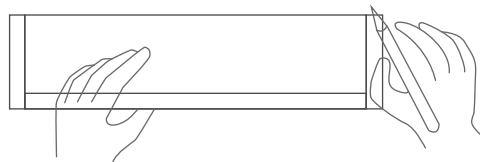


NOTE:

- For drywall mounting, use anchors with screws.
- For stud mounting, use stud mounting screw.
- If walls are concrete or plaster, please consult your local hardware store.

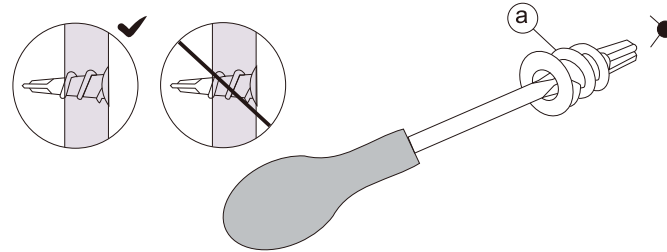
STEP 1

Drywall Mounting (1a) Determine placement of shelf on wall. Using the enclosed paper template, stick it on the wall at the desired position to determine the location of the screws. Drill a 2mm (3/32") hole through the paper into the wall for each screw needed. Remove paper template from the wall.



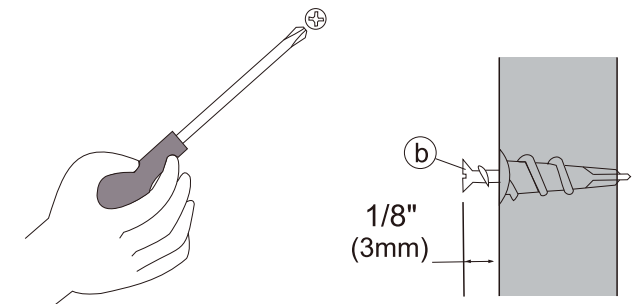
STEP 2

Dry wall mounting: (2a) Place Philips screw driver into anchor (a). Press the anchor into wall, then turn clockwise until anchor is flush with the wall.



STEP 3

Dry wall mounting: (3a) Insert screws (b) into anchors.



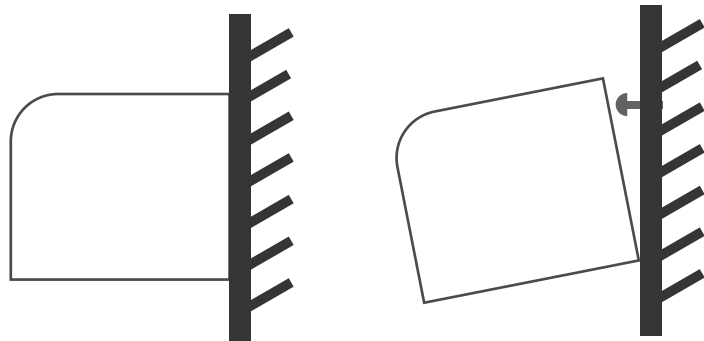
Stud Mounting (1b) Using a stud finder, locate and carefully mark the location of studs on the wall where you want to hang your shelf.
Note: It is best to mount the shelf to at least one stud.

Stud Mounting: (2b) Skip to step 3

Stud Mounting: (3b) Using Philips

STEP 4

Hang shelf.



NOTE: Tighten screw and re-hang

