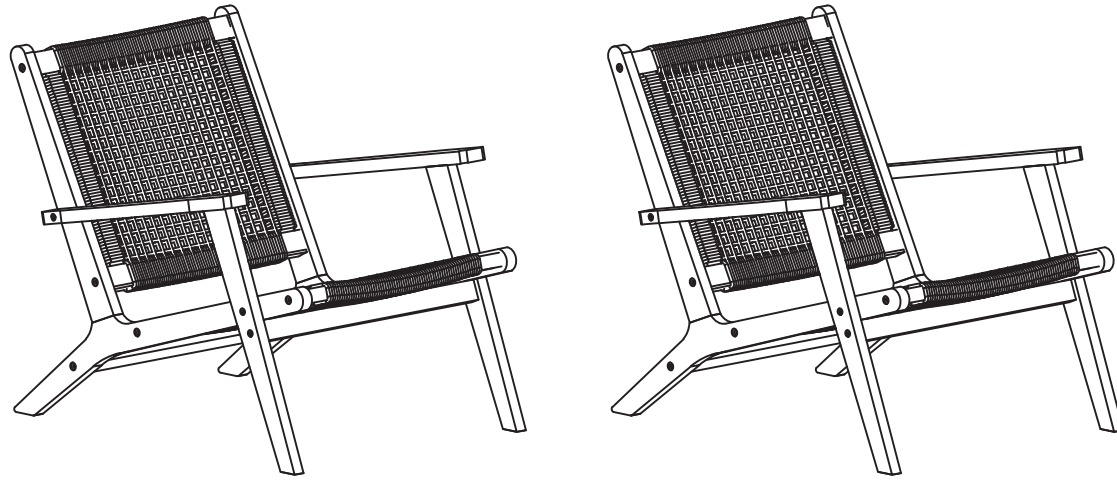
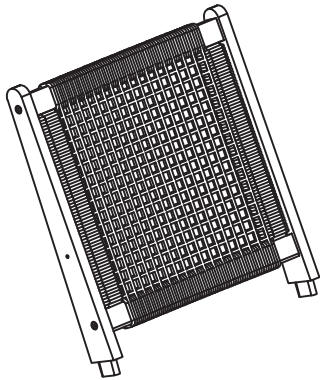


# ASSEMBLY INSTRUCTION

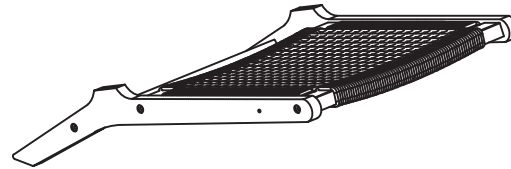


(A)



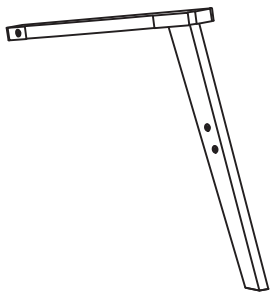
Backrest x 2

(B)



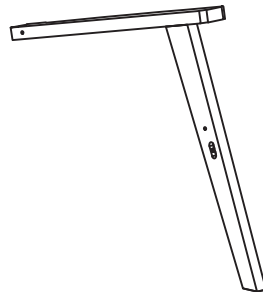
Seat Panel x 2

(C)



Left Leg x 2

(D)








Right Leg x 2

(E)



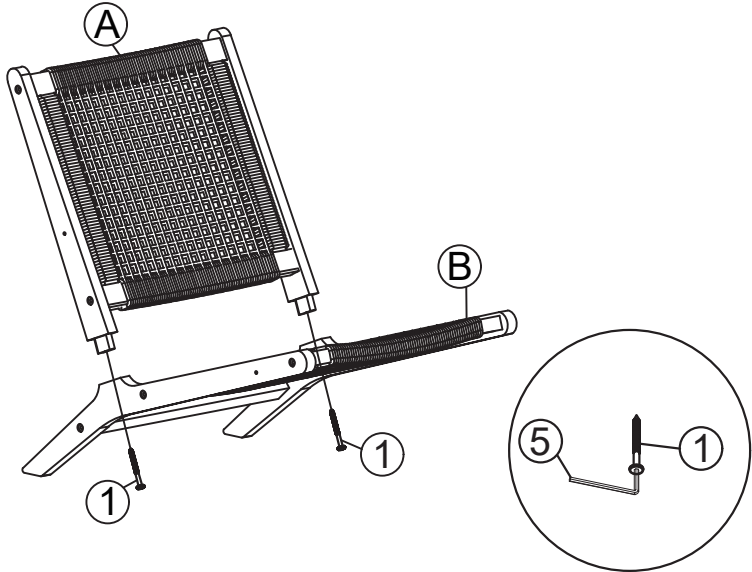
Leg Brace x 2

## Hardware List

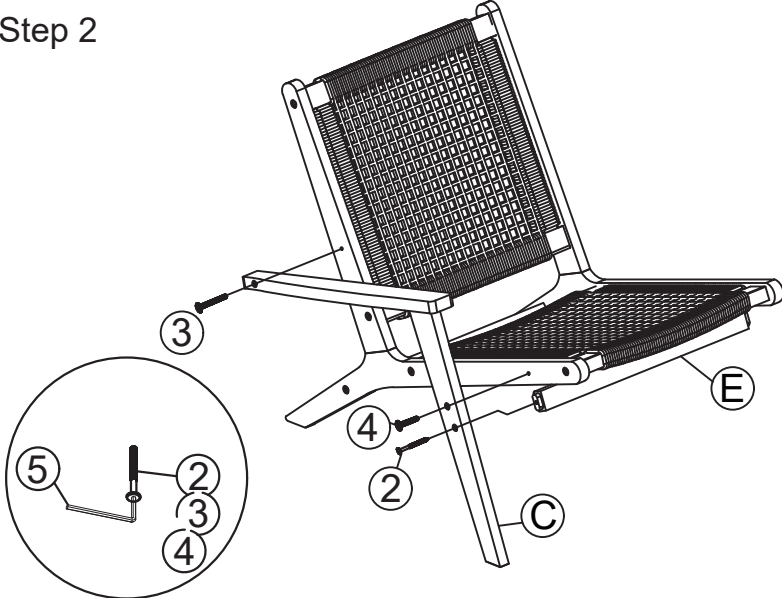
No	Picturer	Qty
①	 Screws (7 x 90)mm	4
②	 Screws (7 x 60)mm	4
③	 Bolts (8 x 60)mm	4
④	 Bolts (8 x 45)mm	4
⑤	 Allen Key	1

# ASSEMBLY INSTRUCTION

Step 1



Step 2



Step 3

