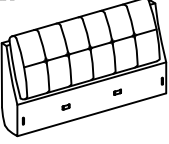
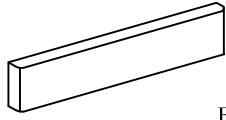
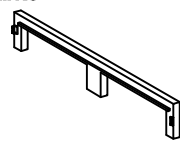
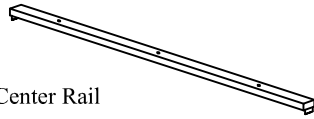
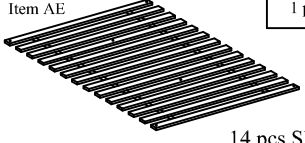
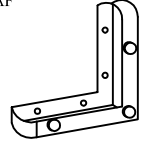
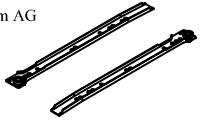
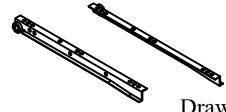
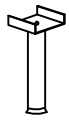
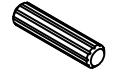
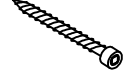
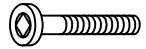


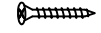
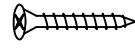
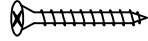
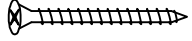
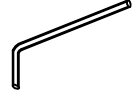
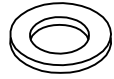
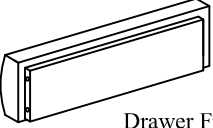

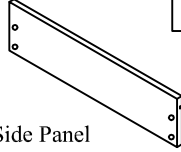
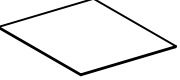

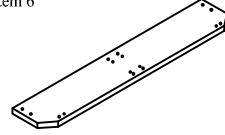
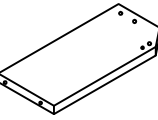
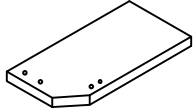
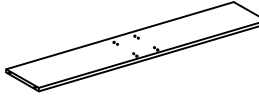



(6')

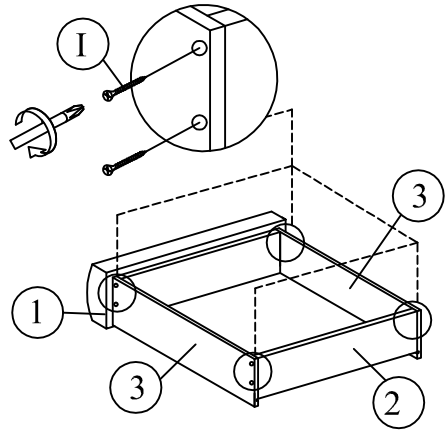
# Assembly Instruction

Item AA  Headboard 1 pc	Item AB  Footboard 1 pc	Item AC  Side Rail 2 pcs
Item AD  Center Rail 2 pcs	Item AE  14 pcs Slats 1 pc	Item AF  Leg 4 pcs
Item AG  Drawer Slide 500 8 pcs	Item AH  Drawer Slide 500 8 pcs	Item AI  Support Leg 4 pcs

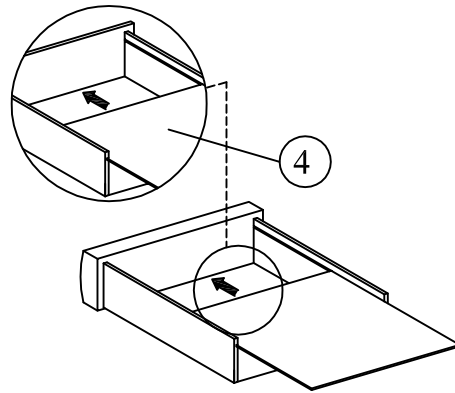
Item A  Plastic Dowel ( 8 x 25 ) 24 pcs	Item B  JCBC W M6 x 40 24 pcs	Item C  JCBC M6 x 40 20 pcs
Item D  White Nail Leg 20 pcs	Item E  Power Nail 1/8 48 pcs	Item F  CSK M3.5 x 16 mm 56 pcs
Item G  CSK M4 x 25mm 16 pcs	Item H  CSK M4 x 32 mm 50 pcs	Item I  CSK M4 x 50mm 32 pcs
Item J  Allen Key 65 mm 1 pc	Item K  M6 Flat Washer 16 pcs	

Item 1  Drawer Front Panel 4 pcs	Item 2  Drawer Back Panel 4 pcs	Item 3  Drawer Side Panel 8 pcs
Item 4  Drawer Bottom Panel 4 pcs	Item 5  4 pcs	Item 6  2 pcs
Item 7  2 pcs	Item 8  2 pcs	Item 9  2 pcs
Item 10  4 pcs		

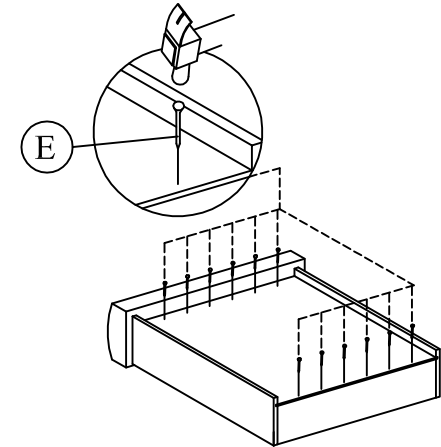
Step 1



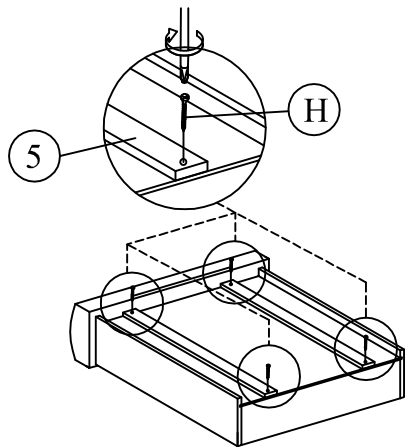
Step 2



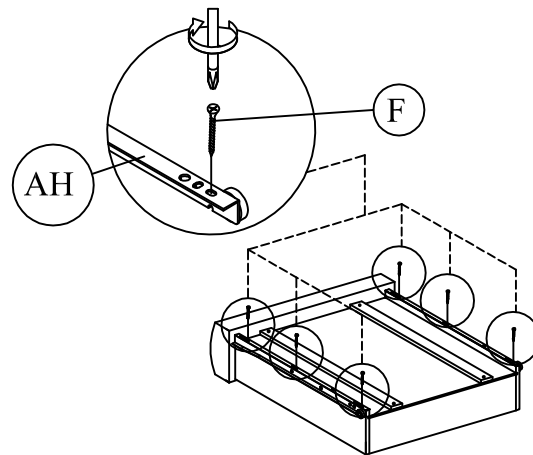
Step 3



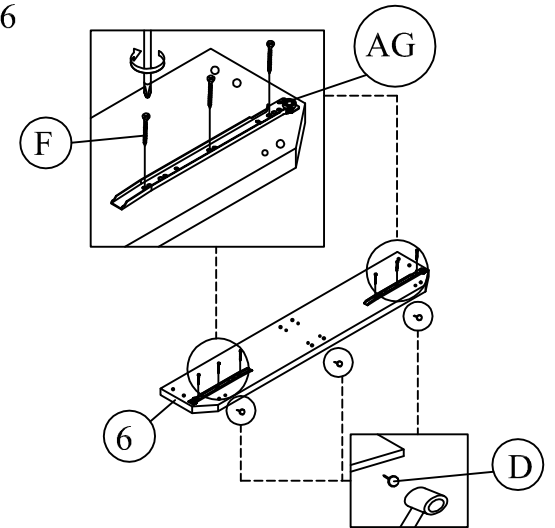
Step 4



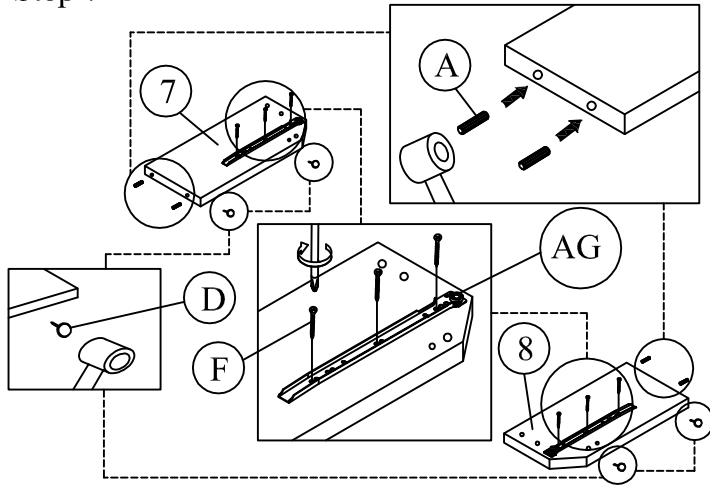
Step 5



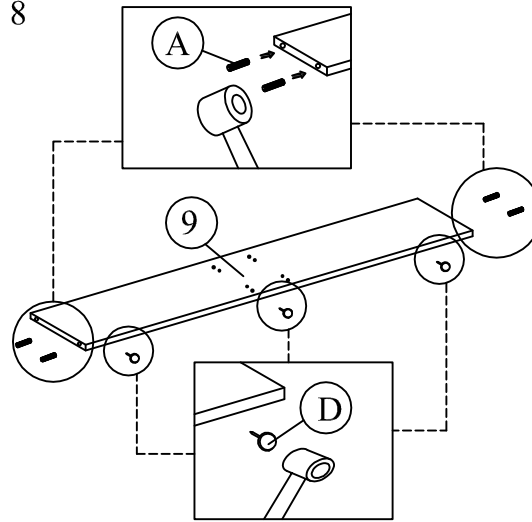
Step 6



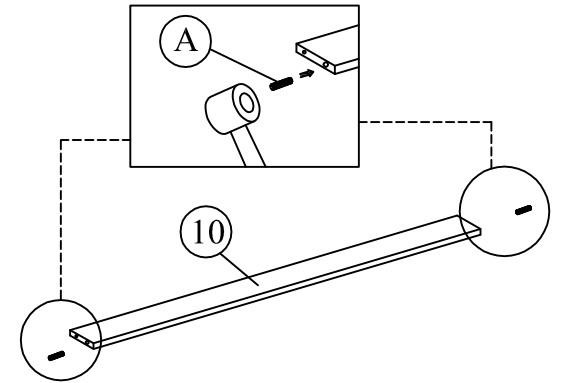
Step 7



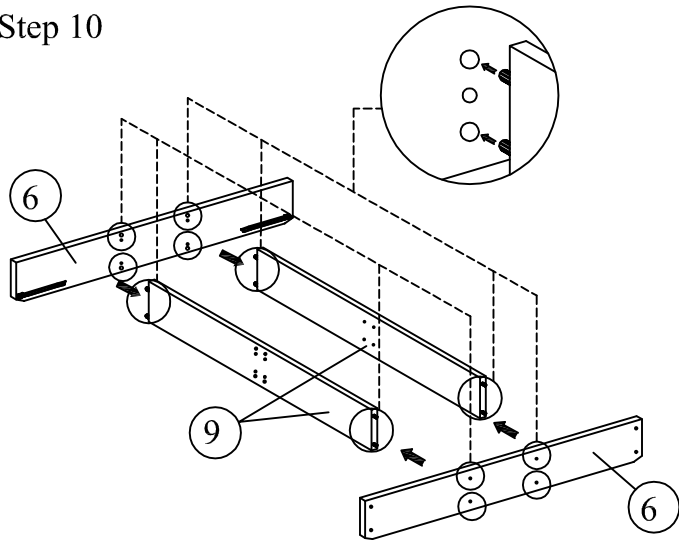
Step 8



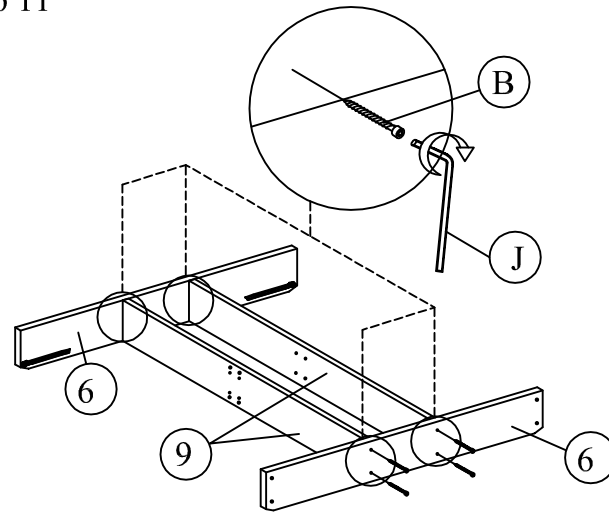
Step 9



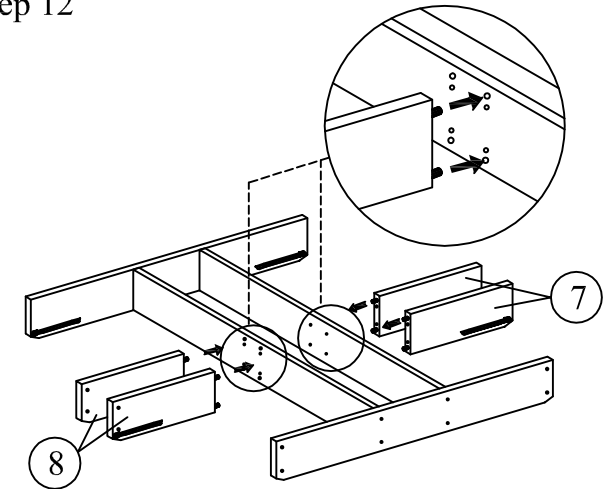
Step 10



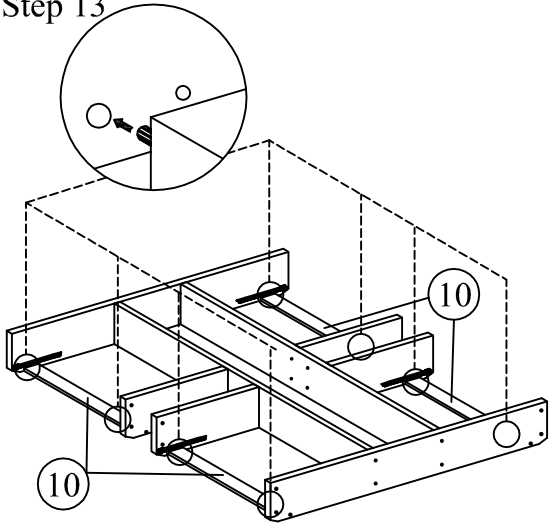
Step 11



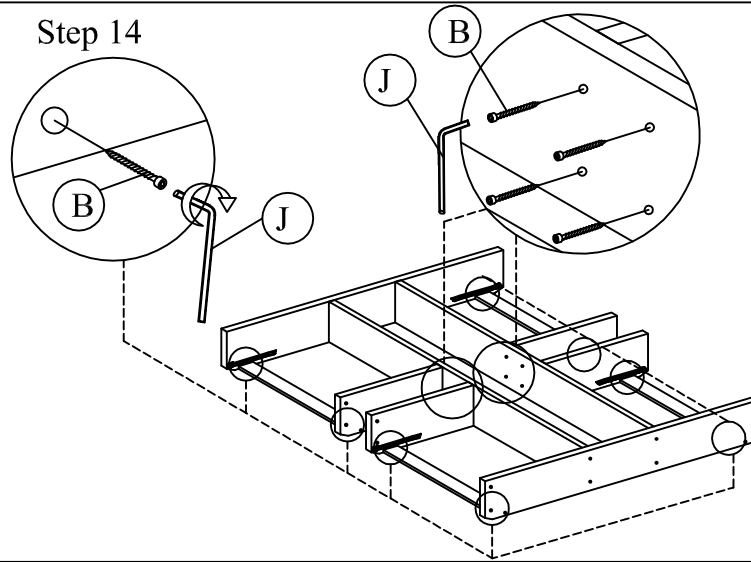
Step 12



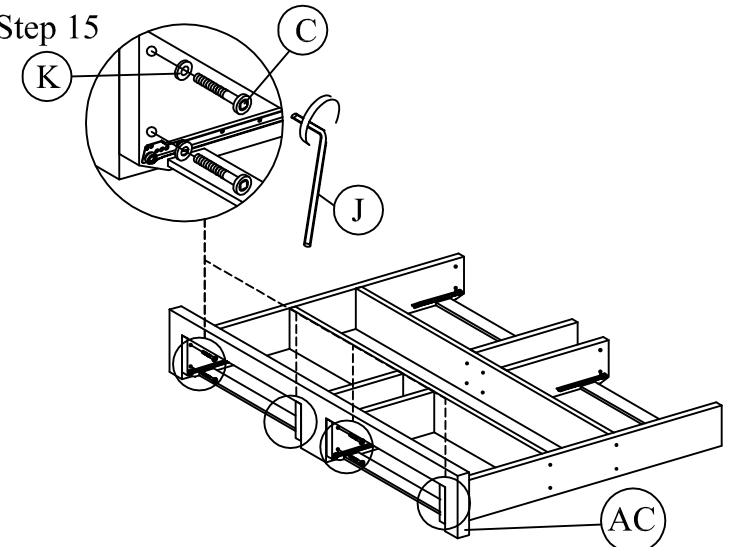
Step 13



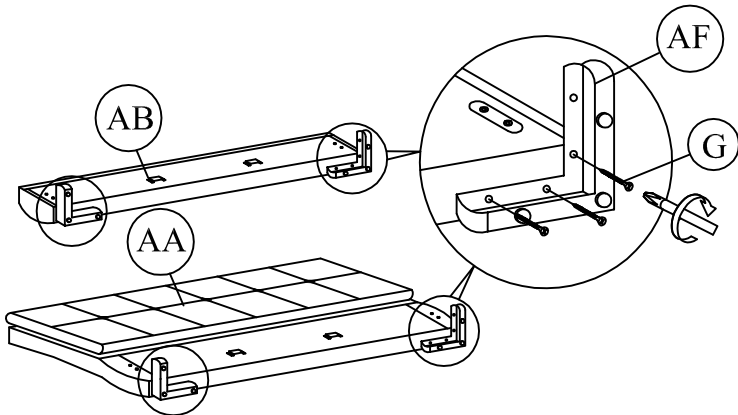
Step 14



Step 15

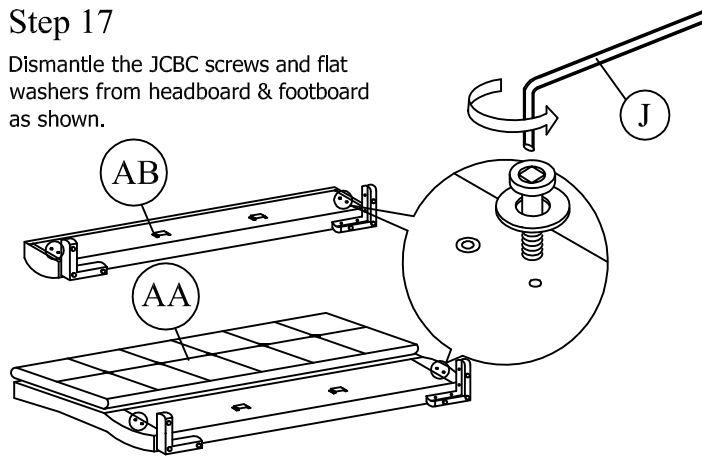


Step 16



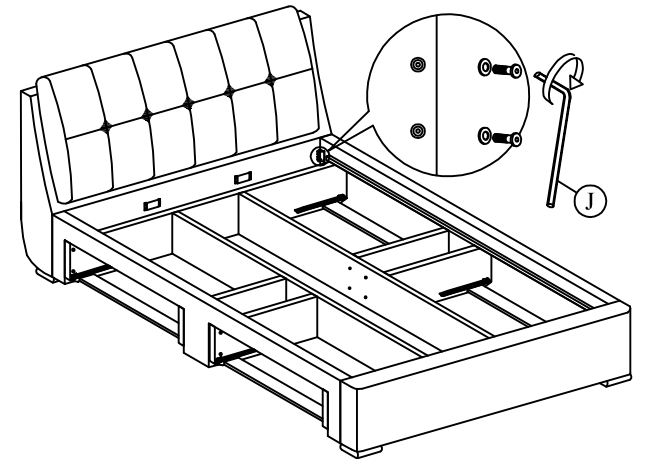
Step 17

Dismantle the JCBC screws and flat washers from headboard & footboard as shown.

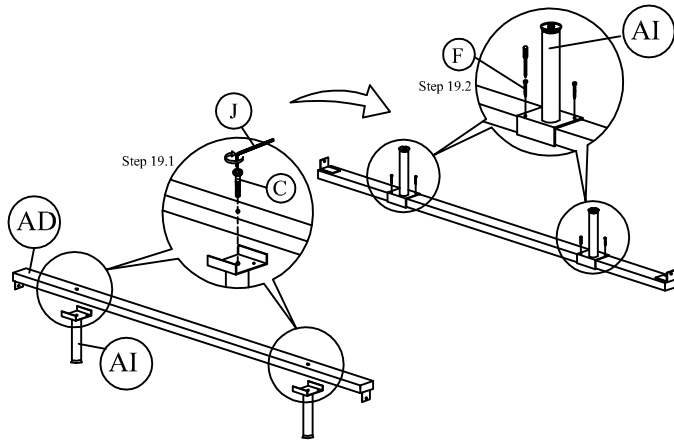


Step 18

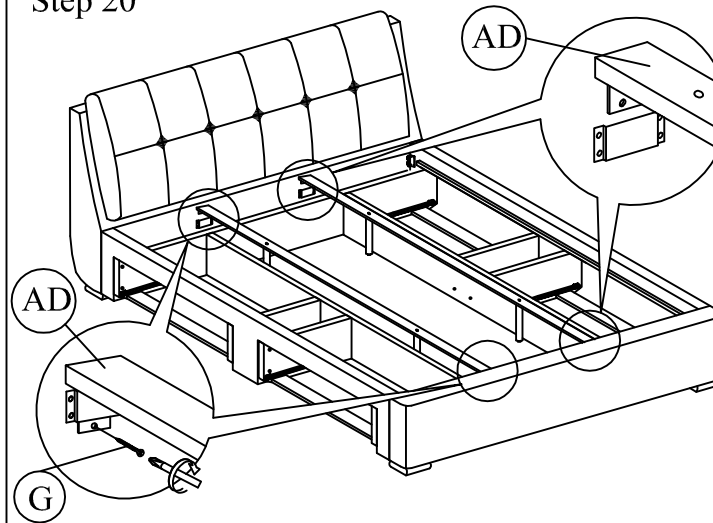
Please attach screw to headboard & footboard. Do not rotate completely until step 23.



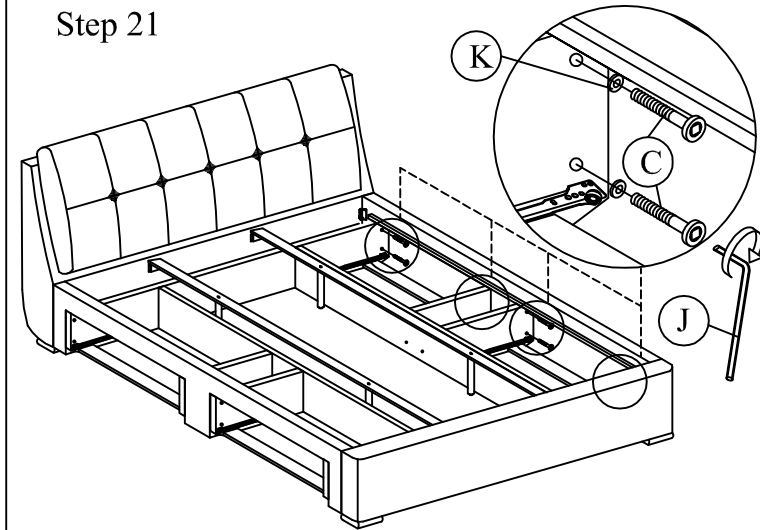
Step 19



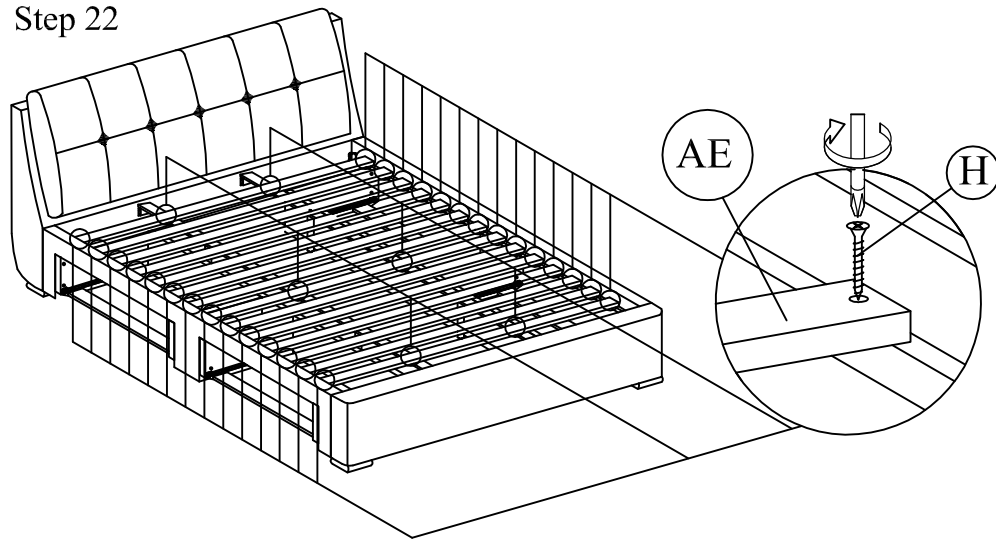
Step 20



Step 21



Step 22



Step 23

