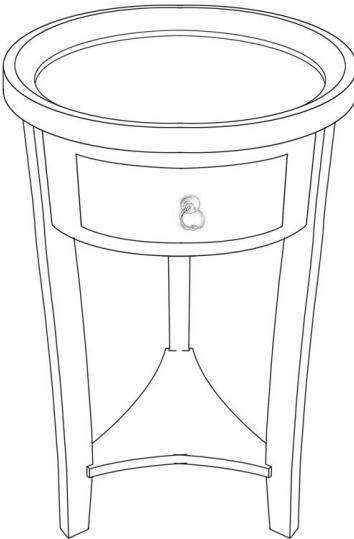


Ahokua

Assembly Instruction

Accent Table



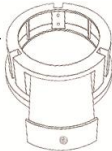






Assembly Instruction

⚠ WARNING:

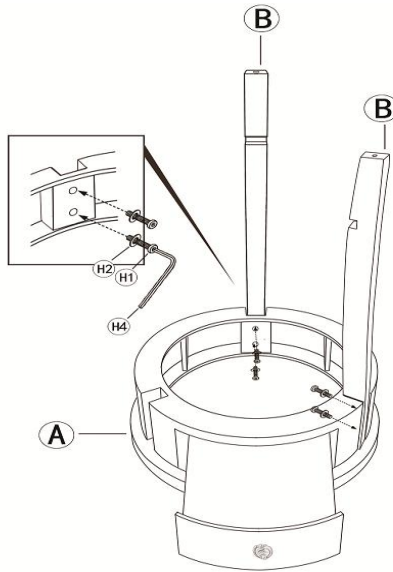
- Read all instructions carefully and completely before assembly and use.
- Retain for future reference.
- **DO NOT use power tools.**
- **DO NOT over-tighten hardware.**
- Periodically check all hardware and re-tighten as necessary.
- DO NOT use product if any component becomes damaged.
- For residential (non-commercial) use only.
- DO NOT sit or stand on product. Use only for intended purpose.
- DO NOT exceed 30lbs for the tabletop, 10lbs for the shelf, evenly distributed.

Parts List

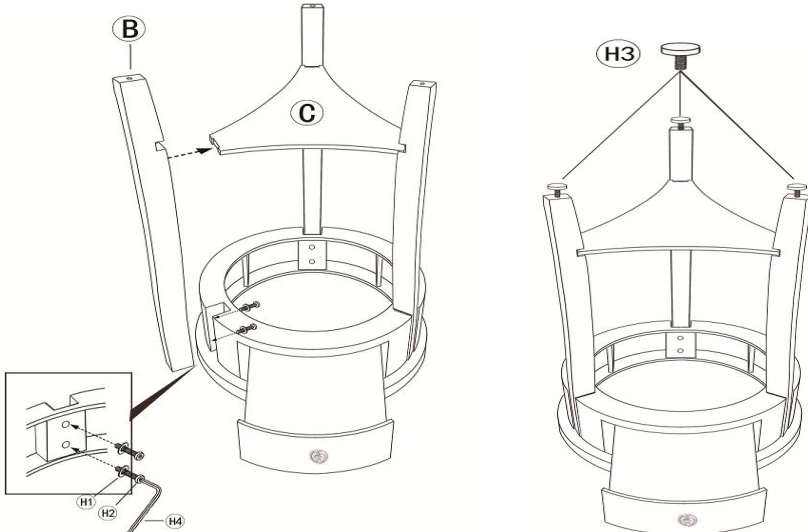
Check all parts before assembly

<p>A. <u>Tabletop</u></p>  <p>*1</p>	<p>B. <u>Leg</u></p>  <p>*3</p>	<p>C. <u>Shelf</u></p>  <p>*1</p>	
<p>H1. <u>Hex bolt</u></p>  <p>*6(+1 extra)</p>	<p>H2. <u>Washer</u></p>  <p>*6(+1 extra)</p>	<p>H3. <u>Foot pad</u></p>  <p>*1</p>	<p>H4. <u>Alley key</u></p>  <p>*4</p>

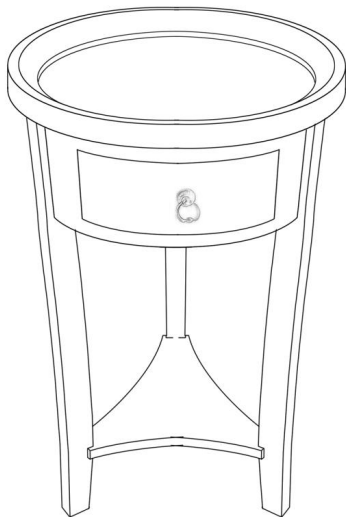
Step 1: Put the Tabletop (A) on a soft surface to protect the finish. Pull the drawer out. Attach the Legs (B) with Hex bolts (H1) and Washers (H2) using Allen key (H4) as below photo shown.



Step 2: Attached the Shelf(C) to the Legs(B), and place the last Leg (B) to the shelf(C) and Tabletop (A) with Hex bolts (H1) and Washers (H2) using Allen key (H4) as below shown. Attached the Foot pad (H3) to the Legs (B) as below.



Assembly finished.



Notice:

If you have any inquiries regarding your purchase or any other products for sale, please don't hesitate to contact us at support@mi-din.com with your order ID. Our dedicated customer service team is available to assist you.