



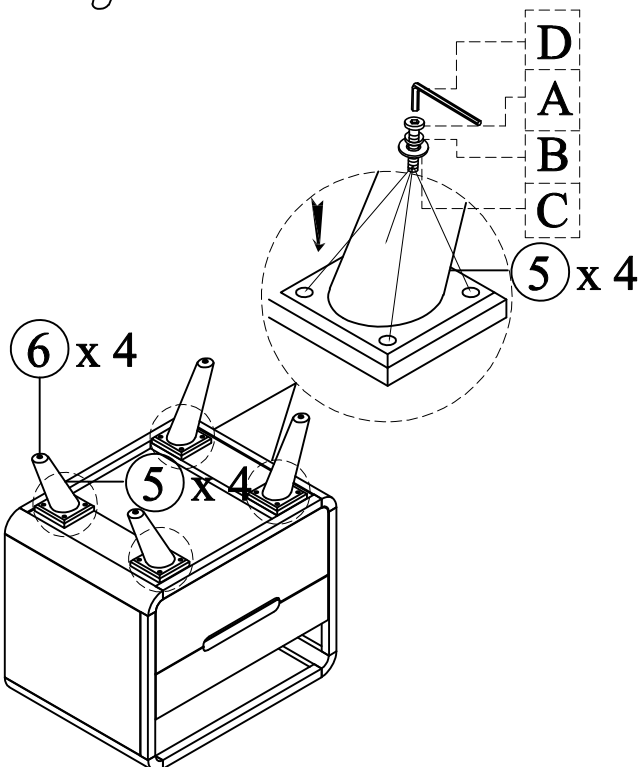
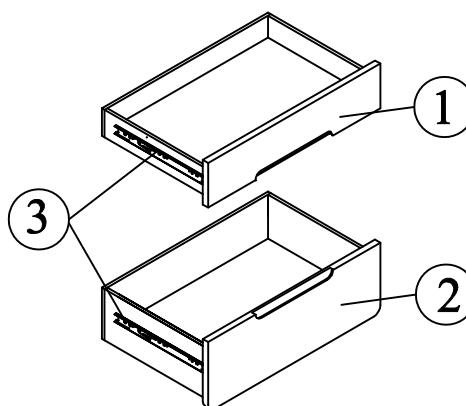
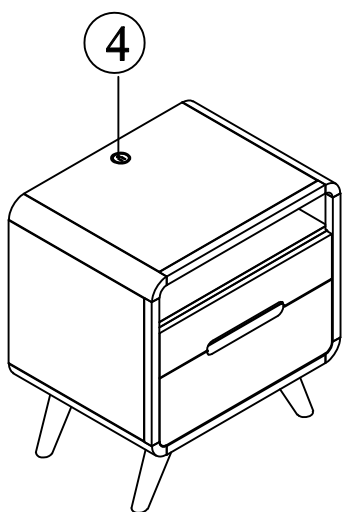


ASSEMBLY INSTRUCTIONS & PARTS IDENTIFICATION NIGHTSTAND

Thank you for purchasing this quality product. Be sure to check all packing material carefully for small parts that may have come loose inside the carton during shipment.

Hardware Kit			
No		Description	Qty
A		Bolt 5/16" x 1.5"	16 Pcs
B		Lock washer 5/16"	16 Pcs
C		Flat washer 5/16 x 3/4"	16 Pcs
D		Allen Key 5/32"	1Pc

Parts key			
No	Qty	Description	
1	1 Pc	Top Drawer	
2	1 Pc	Bottom Drawer	
3	4 Pcs	Full Extension Glide	
4	1 Pc	USB Outlet	
5	4 Pcs	Wooden legs	
6	4 Pcs	Leveler	
7	1 Set	Anti tip kit	



PLEASE NOTE :
To help prevent the possibility of tip-over, install the ANTI-TIP OVER restraint provided.

