

ASSEMBLY INSTRUCTIONS

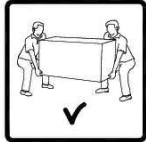
ASSEMBLY TIPS:

- 1 . Remove hardware from box and sort by size.
- 2 . Please check to see that all hardware and parts are present prior to start of assembly.
- 3 . Please follow attached instructions in the same sequence as numbered to assure fast & easy assembly.



Warning !

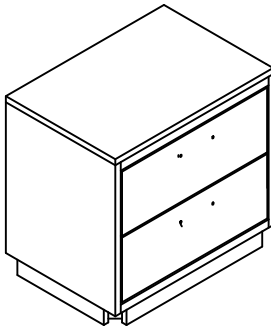
- 1 . Don't attempt to repair or modify parts that are broken or defective. Please contact the store immediately.
- 2 . This product is for home use only and not intended for commercial establishment.



ASSEMBLY TIME	15 MINUTES
---------------	------------

PARTS IDENTIFICATION

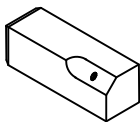
A.



NIGHT STAND

1 PC

B.

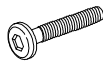


LEG

4 PCS

HARDWARE IDENTIFICATION

1



BOLT

4 PCS

2



LOCK WASHER

4 PCS

3



FLAT WASHER

4 PCS

4

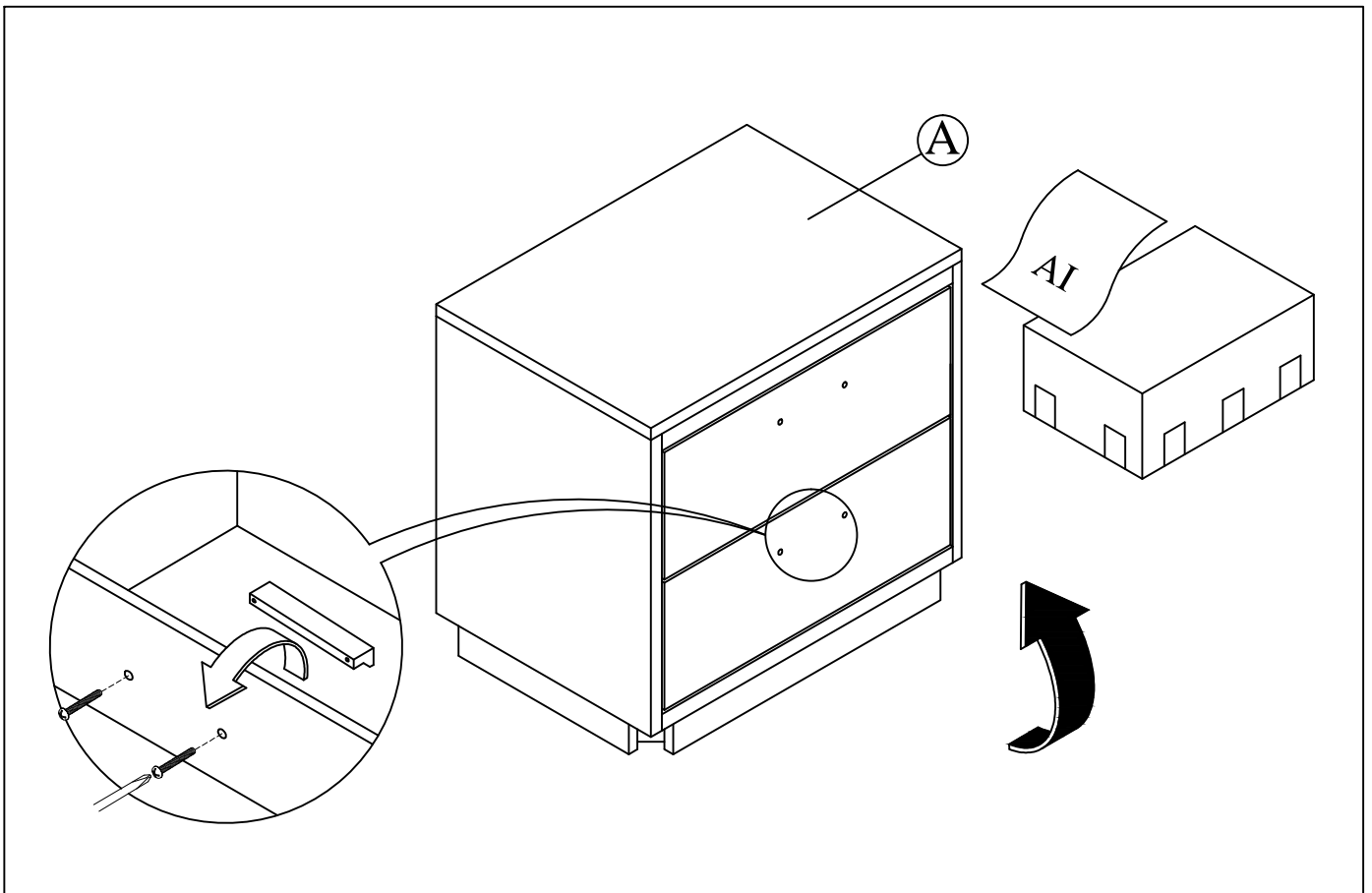


ALLEN WRENCH

1 PC

NOTE : PHILLIPS HEAD SCREW DRIVER IS REQUIRED IN THE ASSEMBLY PROCESS. HOWEVER, MANUFACTURER DOES NOT PROVIDE THIS ITEM.

ASSEMBLY INSTRUCTIONS STEP 1



STEP 2

