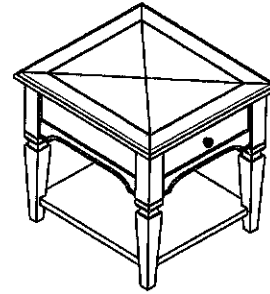


# ASSEMBLY INSTRUCTIONS



373 - 915

## TOOLS REQUIRED:

Allen Key (supplied, Part # F)

## BEFORE YOU START:

1. Check the hardware against the hardware list to make sure all items are present.
2. Assemble your furniture on a soft, flat surface to avoid scratching the finish.
3. **CAUTION:** Do not over tighten screws, nuts or bolts during assembly.
4. Your furniture may require occasional tightening.

## INSTRUCTIONS:

1. Turn the table Top upside down on to a clean, soft surface. Pull the drawer out then press the locking device with your hands softly in the direction of the arrow and remove the drawer. (See Figure 1).
2. Attach Metal "L" (G) on the four Legs by using Bolt (D) with Allen Key (F). (See Figure 2).
3. Attach two legs on the table by using Flat washer (C), Lock Washer (B), Bolt (A) with Allen Key (F). (See Figure 3).
4. Attach bottom shelf and two legs on the table of step 3. (See Figure 4).
5. Using Flat washer (C), Lock Washer (B), Bolt (A) with Allen Key (F) to connect leg of step 4 on the table. (See Figure 5).
6. Using Flat washer (E), Lock Washer (B), Bolt (D) with Allen Key (F) to connect bottom shelf to legs. (See Figure 6). Tighten all bolts with Allen Key (F).
7. Place the Table upright. Fully open the slides, put the drawer down on the slides, then push the drawer in as arrow direction. (See Figure 7).
8. Adjust the leveler up and down to level the table. Your table is now ready for use.

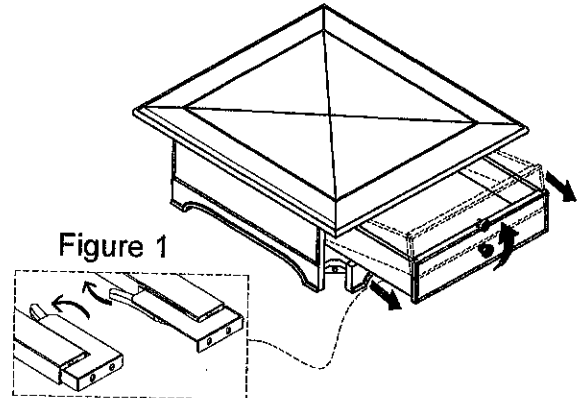


Figure 1

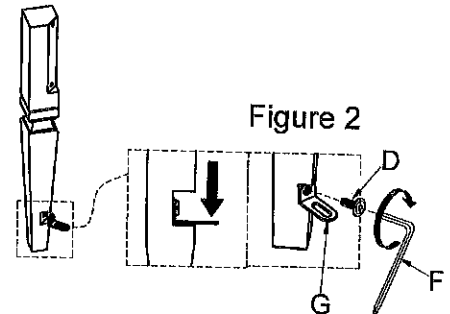


Figure 2

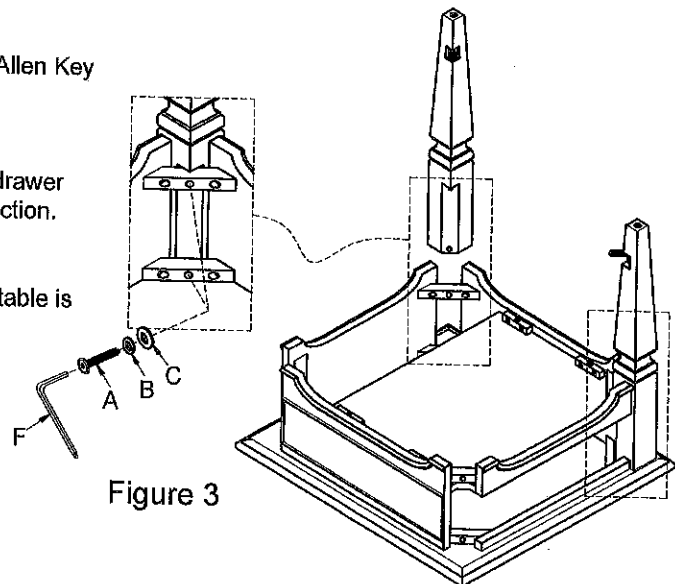









Figure 3

No.	Hardware List		Q'ty
A		Bolt Ø1/4 x 2"	8
B		Lock Washer Ø1/4"	12
C		Flat Washer Ø1/4" * Ø3/4	8
D		Bolt Ø1/4 x 5/8"	8
E		Flat Washer Ø1/4" * Ø5/8	4
F		Allen Key (100*50*4mm)	1
G		Metal "L" 41 x 21 x 18mm	4

# ASSEMBLY INSTRUCTIONS

## TOOLS REQUIRED:

Allen Key (supplied, Part # F)

## BEFORE YOU START:

1. Check the hardware against the hardware list to make sure all items are present.
2. Assemble your furniture on a soft, flat surface to avoid scratching the finish.
3. **CAUTION:** Do not over tighten screws, nuts or bolts during assembly.
4. Your furniture may require occasional tightening.

## INSTRUCTIONS:

Figure 4

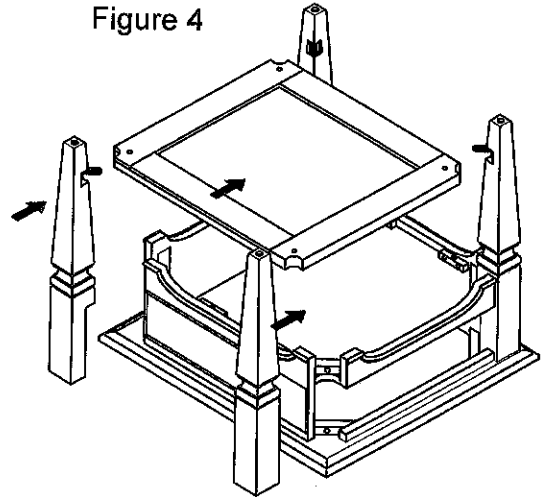


Figure 5

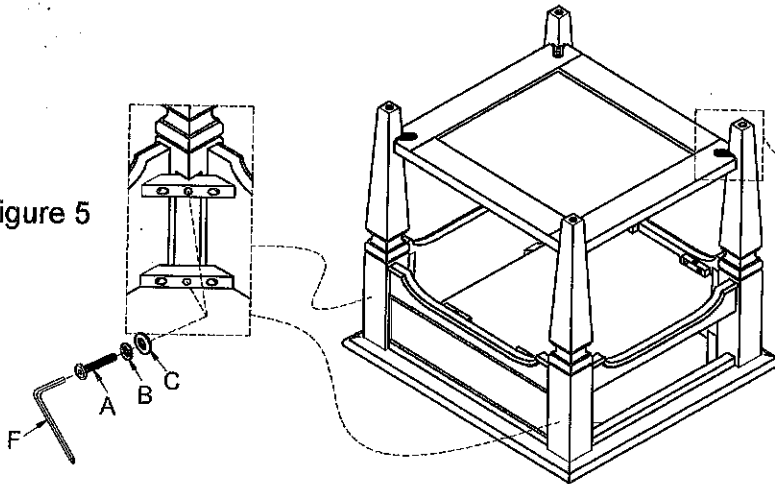


Figure 6

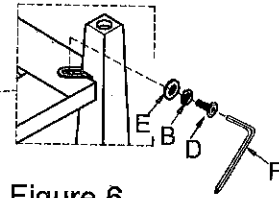


Figure 7

