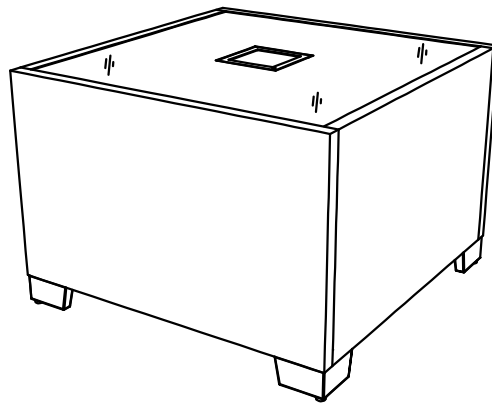


Assembly Instruction

Advice:

1. Power tools are suggested to be used during installation.
2. More than one person may be required to assemble this product.
3. The best advice is not tightening up any screws until the whole piece is assembled. If having difficulty aligning holes, loosen the screws already installed and readjust the armrest.
4. To avoid mess-up or mismatch, please use the hardware of each box to install the furniture in the same box.







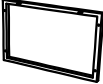

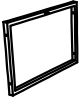




Table

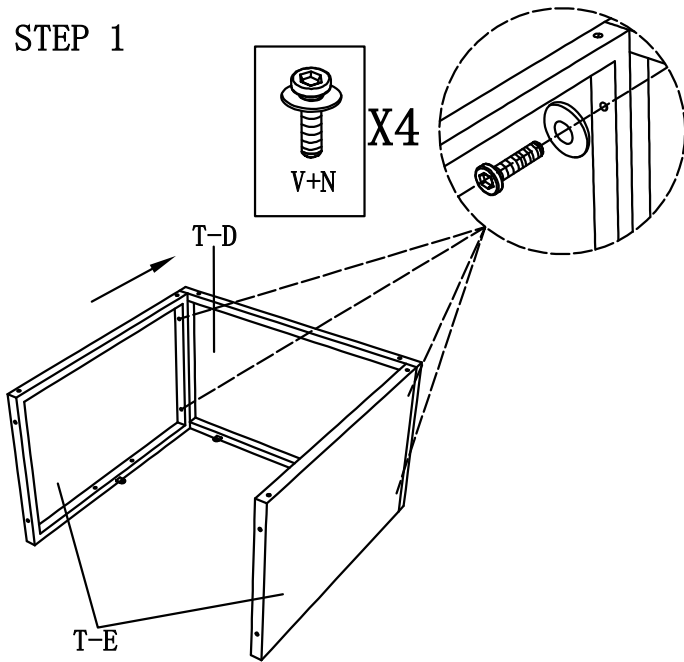


Assembly Video

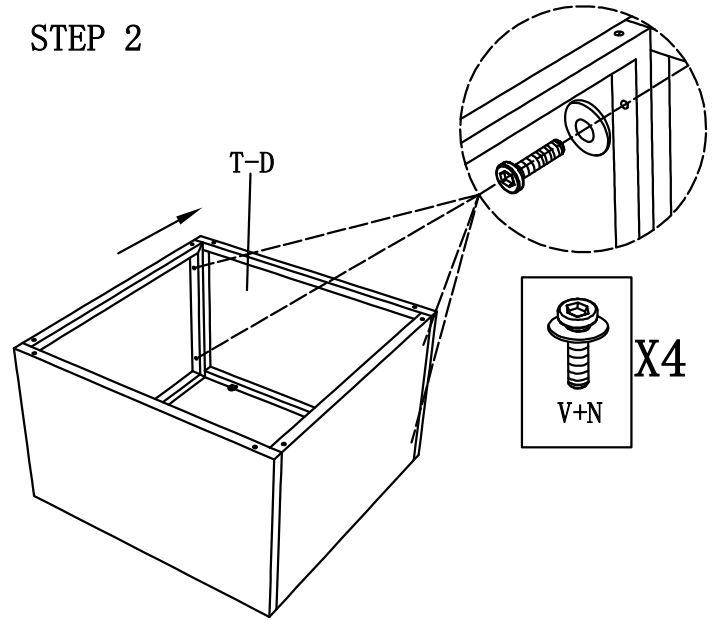
Parts List

NO.	Picture	Description	QTY	NO.	Picture	Description	QTY
T-A		Solar Lamp	1	X		Screw (M6*25)	4
T-B		Glass Top	1	W		Screw (M6*30)	8
T-C		Support Bracket	1	V		Screw (M6*35)	8
T-D		Long Side Panels	2	N		Washer (M6)	12
T-E		Short Side Panels	2	L		Allen Key	1
T-F		Sofa Leg	4				

STEP 1

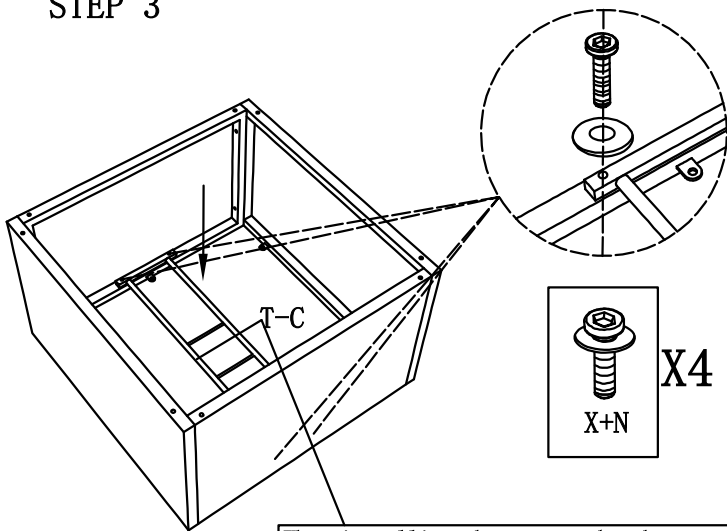


STEP 2



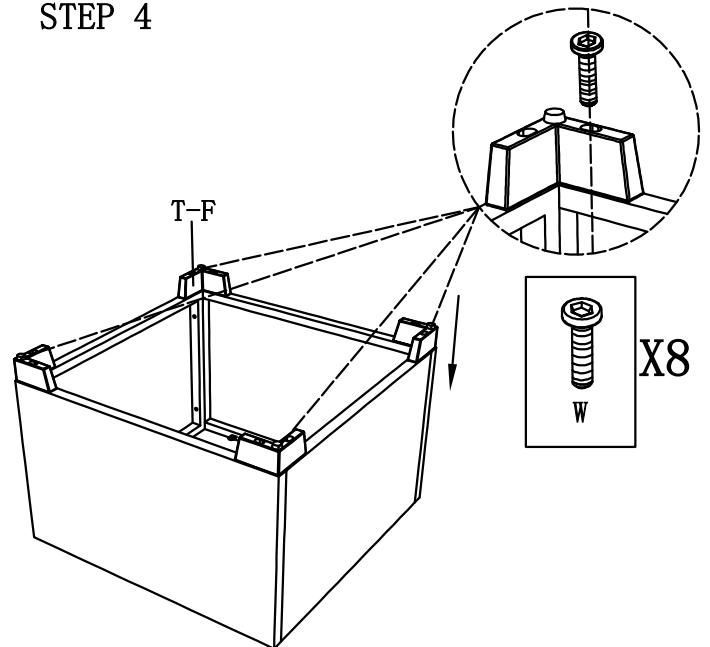
The best advice is not tightening up any screws until the whole piece is assembled.

STEP 3

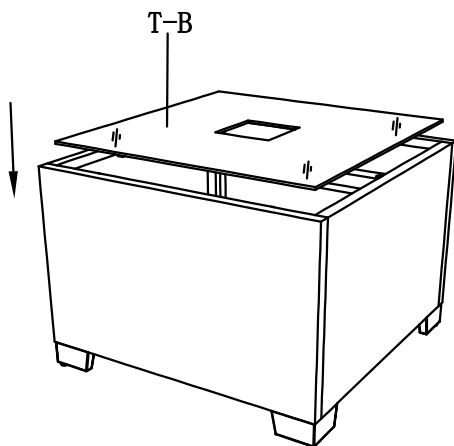


When installing the support bracket, pay attention to the direction. The two bulged small rod should face to the glass, so that the solar lamp and the glass can be parallel.

STEP 4



STEP 5



FINISH

