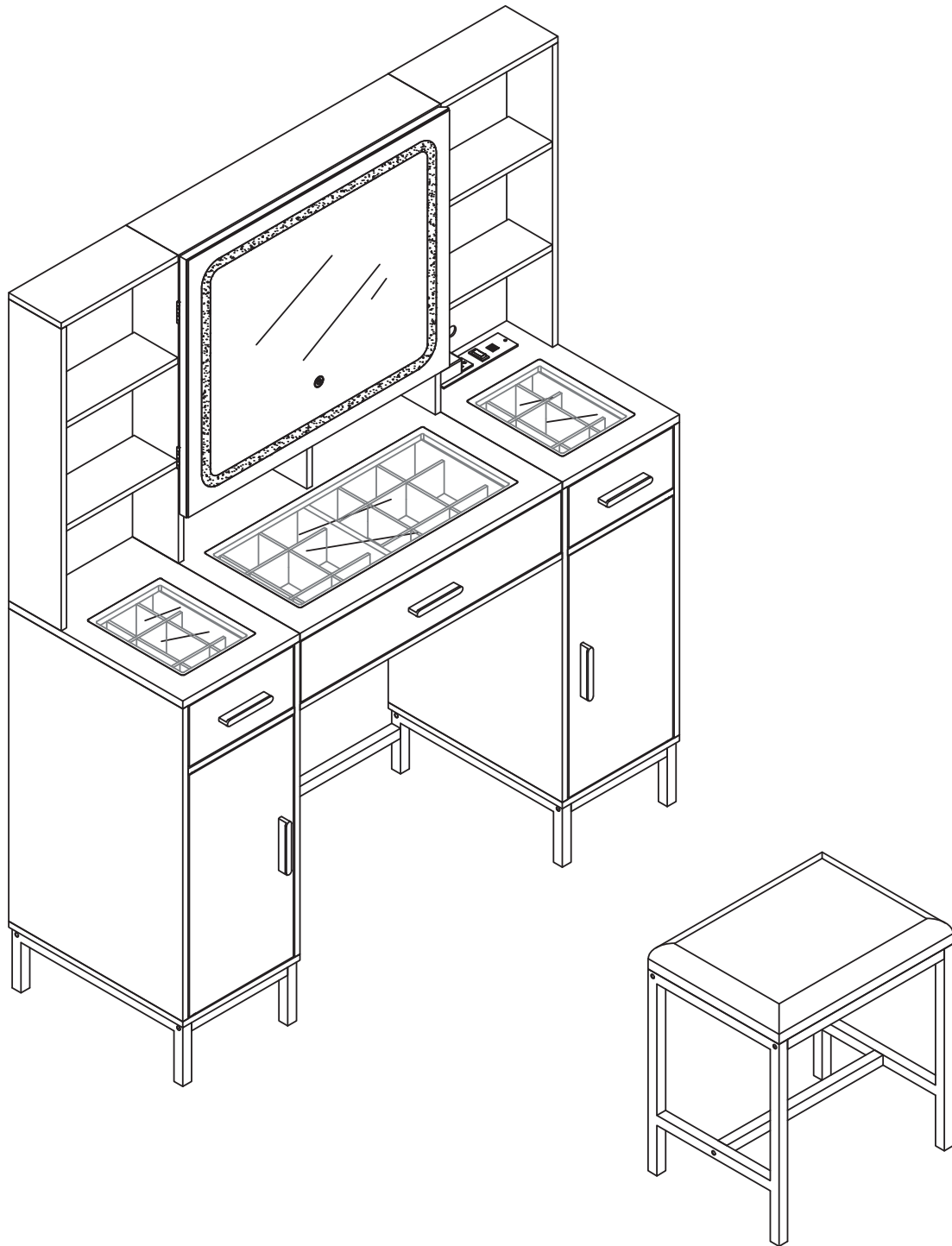


Installation & Assembly

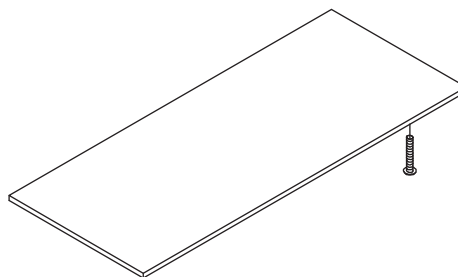


Tools required
(not included)

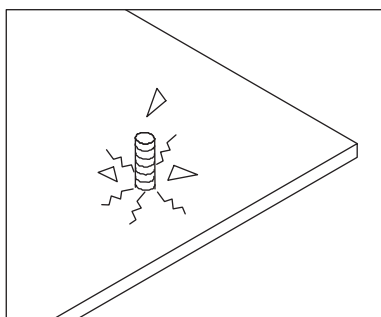
1. Matters needing attention

⚠ WARNING	
	Children have died from furniture tipover. To reduce the risk of furniture tipover: <ul style="list-style-type: none">-ALWAYS install Anti-tip device provided.-NEVER put a TV on this product.-NEVER allow children to stand, climb or hang on drawers, doors, or shelves.-NEVER open more than one drawer at a time.-Place heaviest items in the lowest drawers. <p><i>This is a permanent label. Do not remove!</i></p>
	

2. Matters needing attention

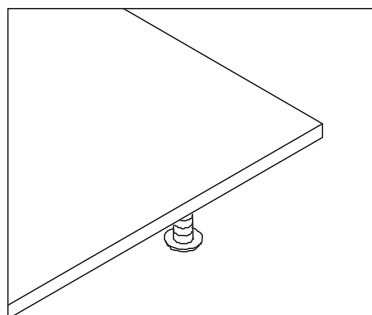


Be sure to use the proper screws to avoid damaging the parts



X

Wrong screws can cause the plank to crack

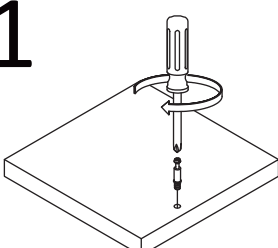
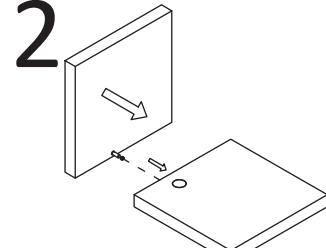
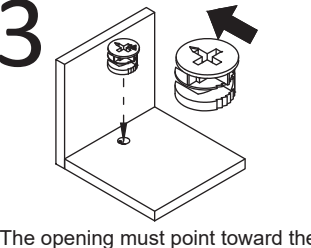
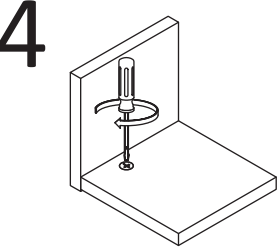


✓

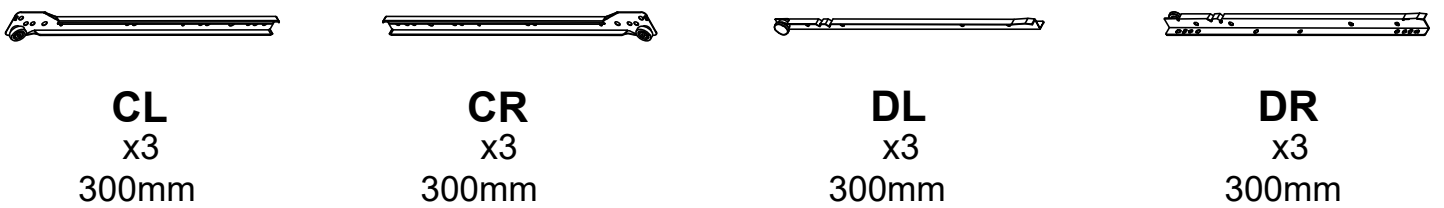
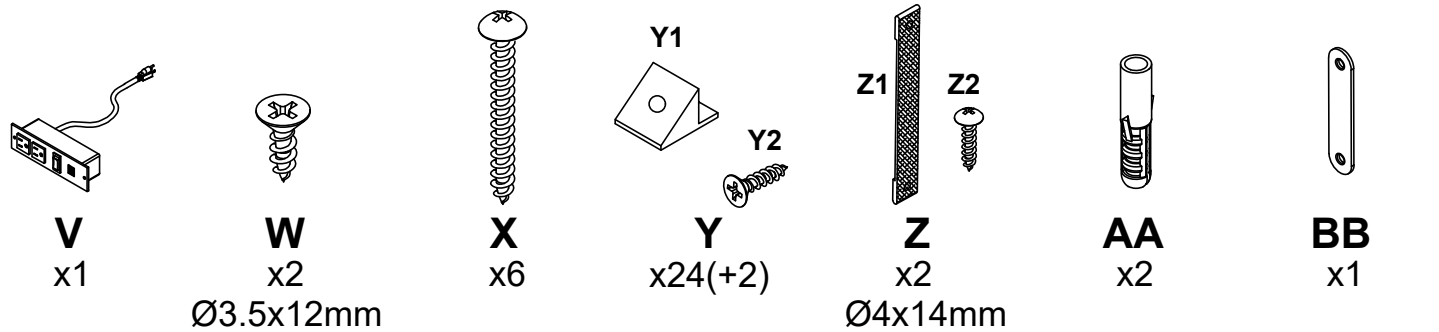
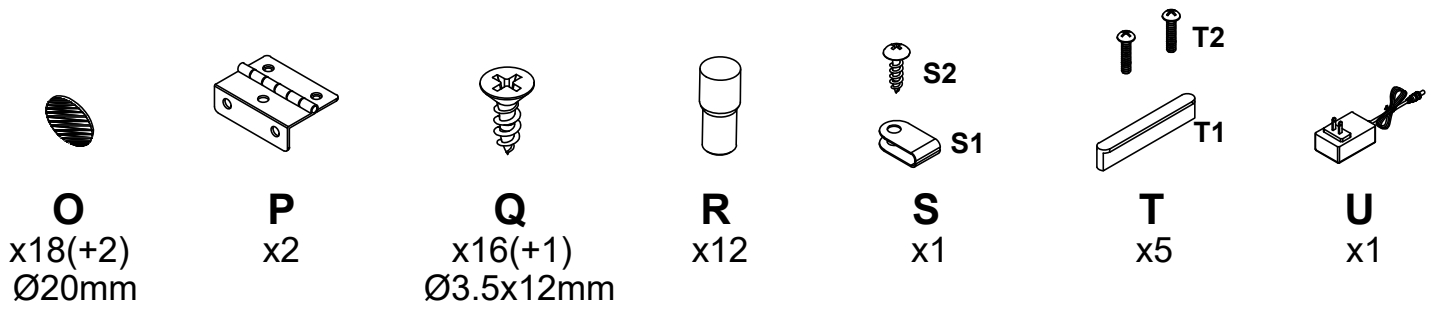
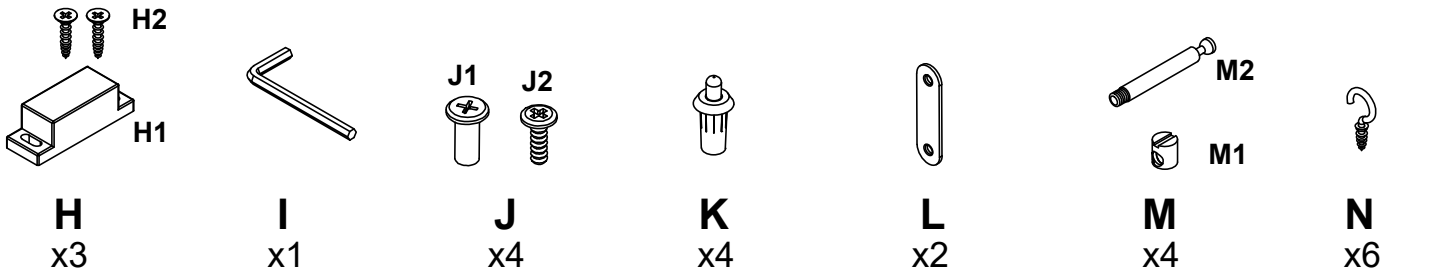
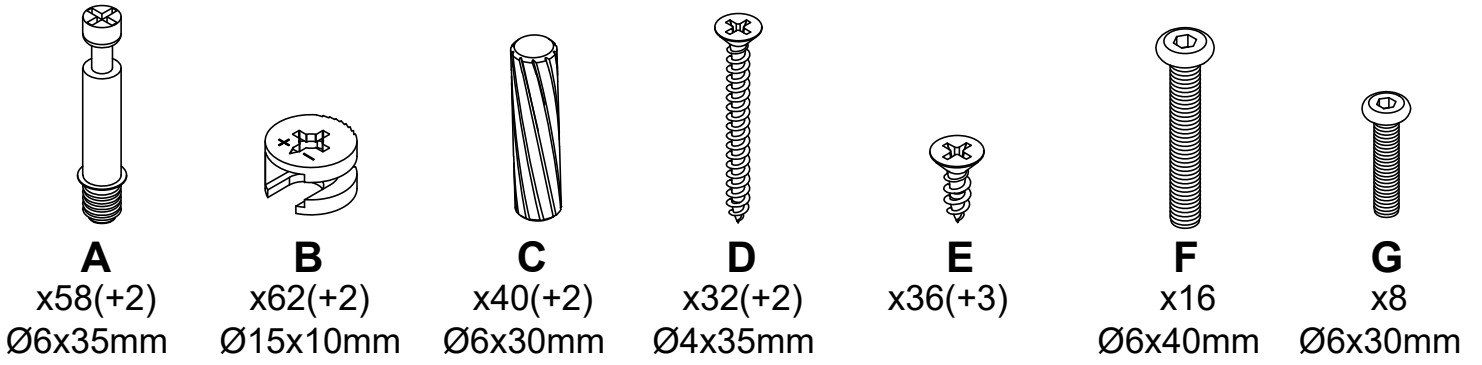
The right screw is the right size

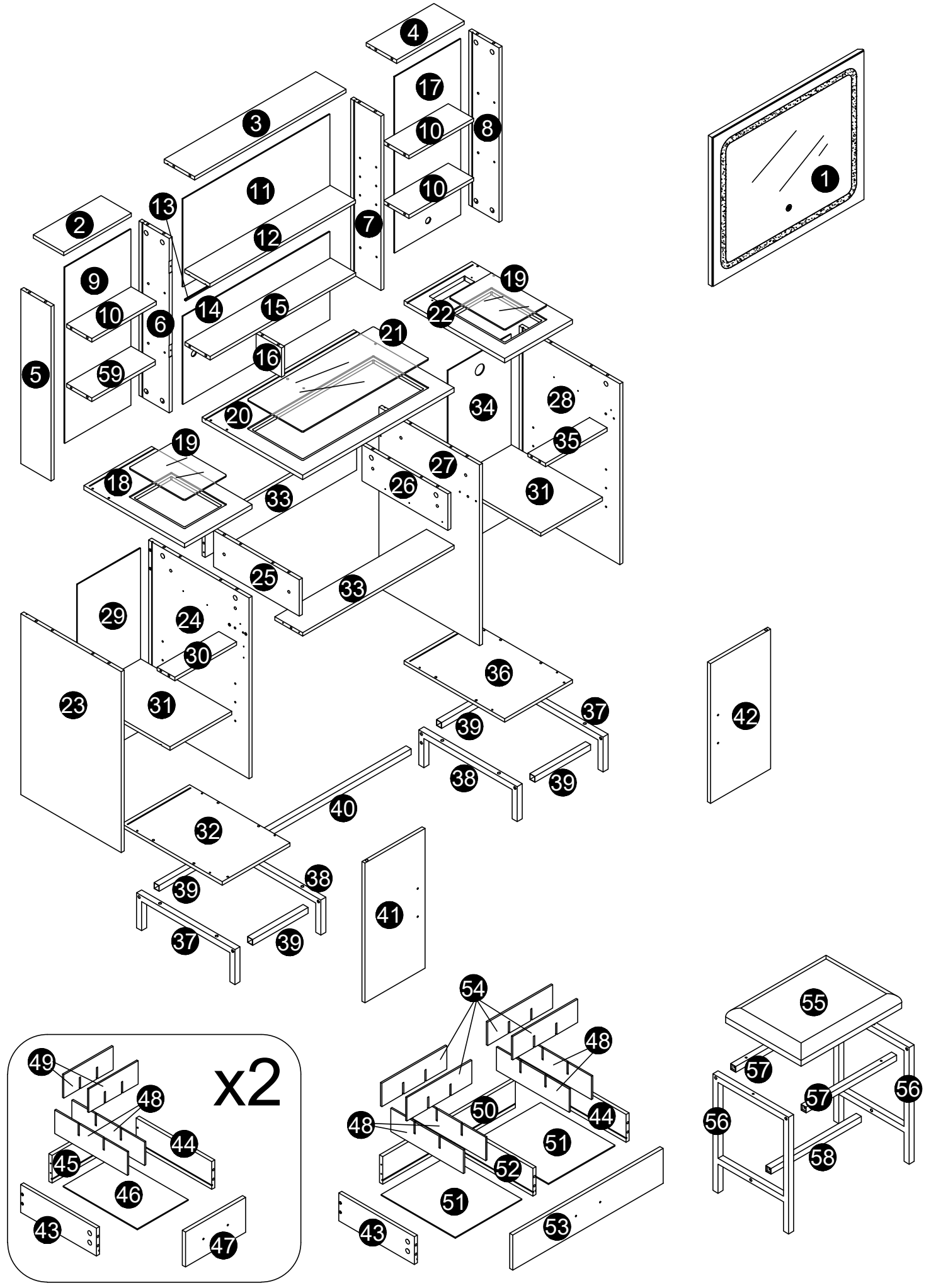
Cam Lock Fastening System

Insert the cam bolt into the hole first, then insert the cam lock and lock it.

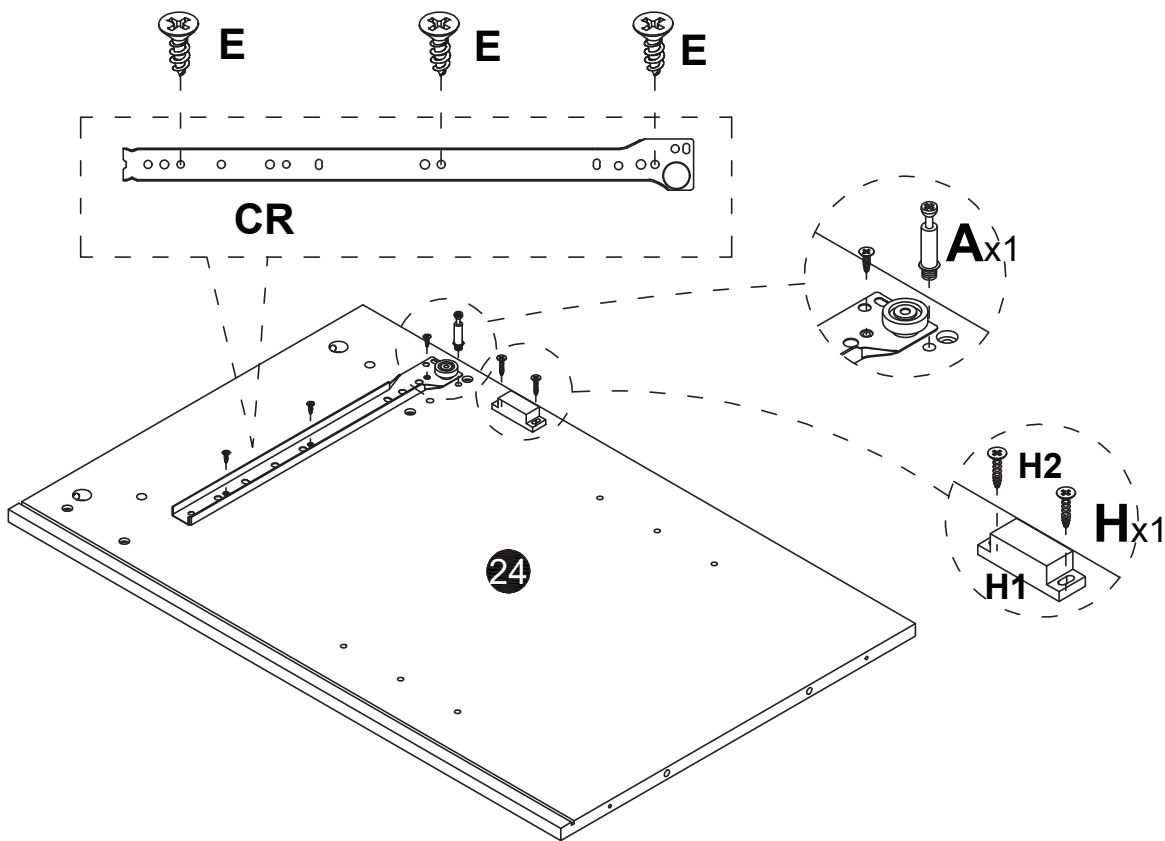
1 	2 	3  <p>The opening must point toward the edge of the board</p>	4 
-------------------------------------------------------------------------------------------------	-------------------------------------------------------------------------------------------------	-------------------------------------------------------------------------------------------------------------------------------------------------------------	---------------------------------------------------------------------------------------------------

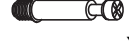





Installation parts



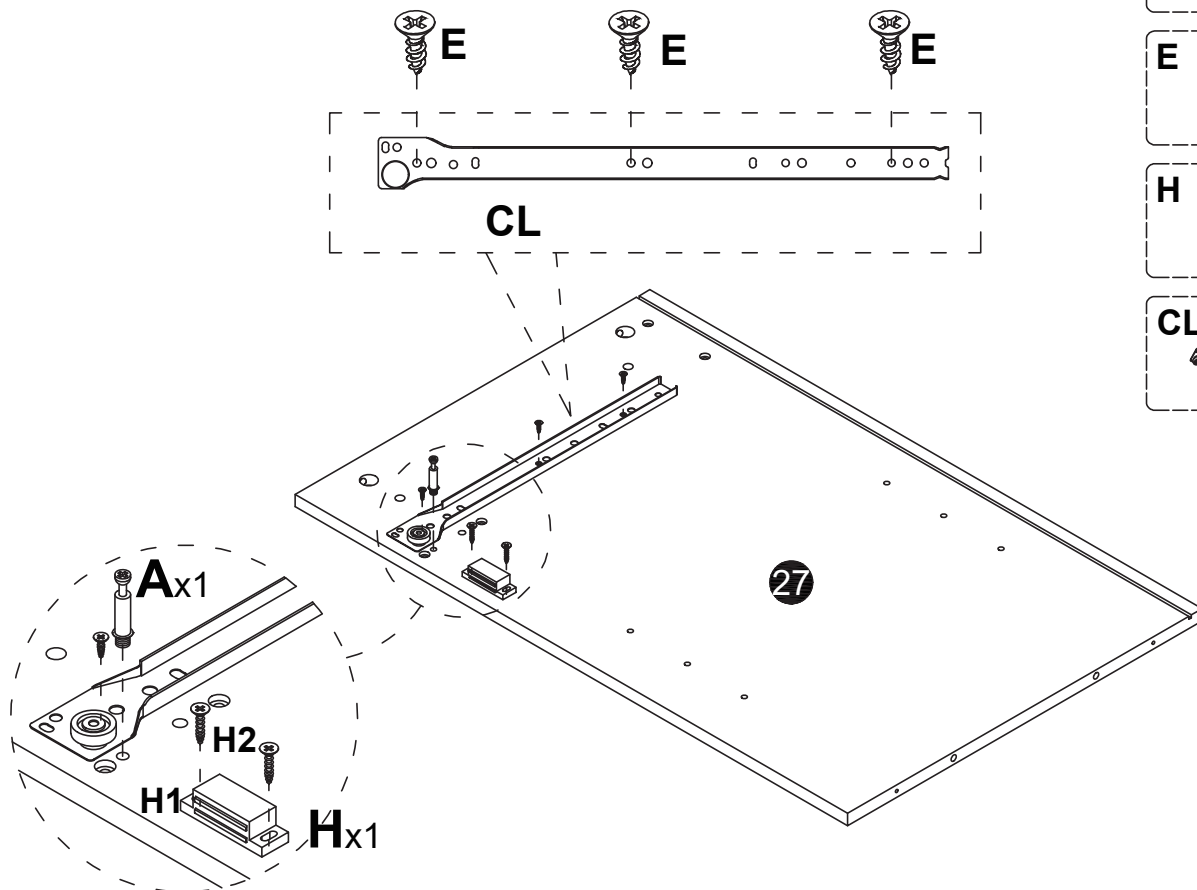


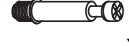

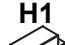



1



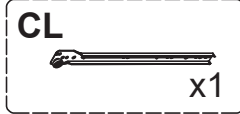
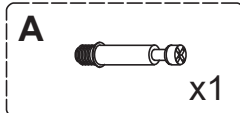
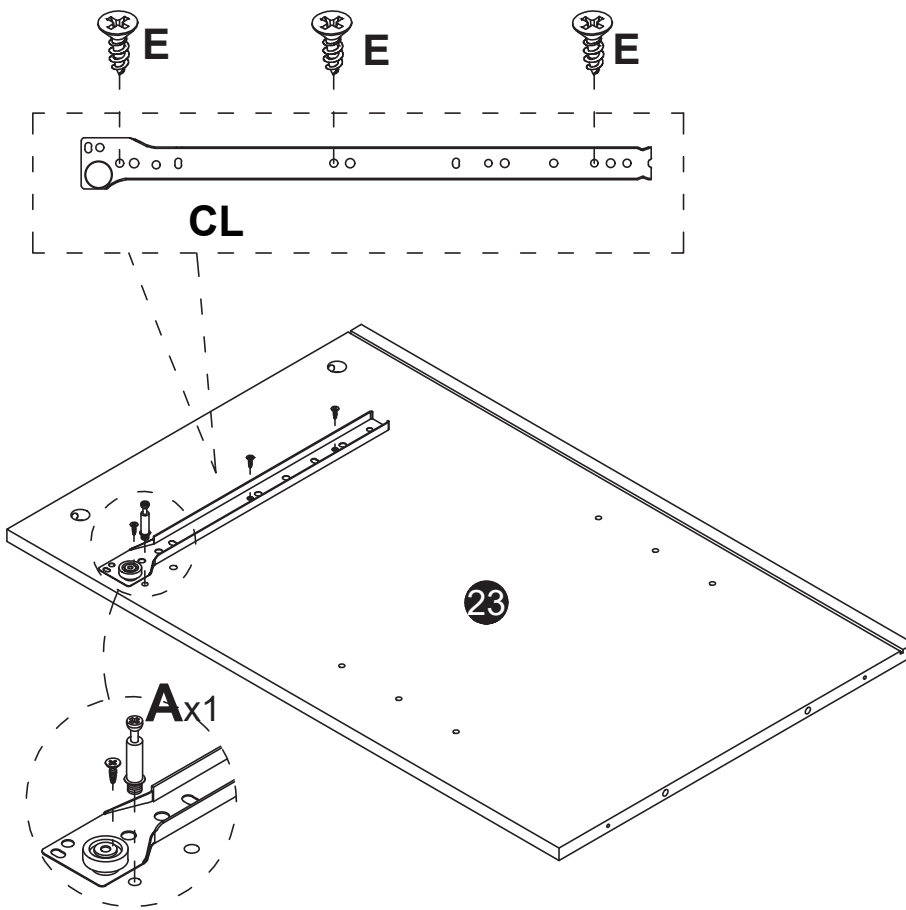
- A**  x1
- E**  x3
- H**  **H1**  **H2**  x1
- CR**  x1

2

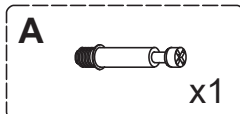
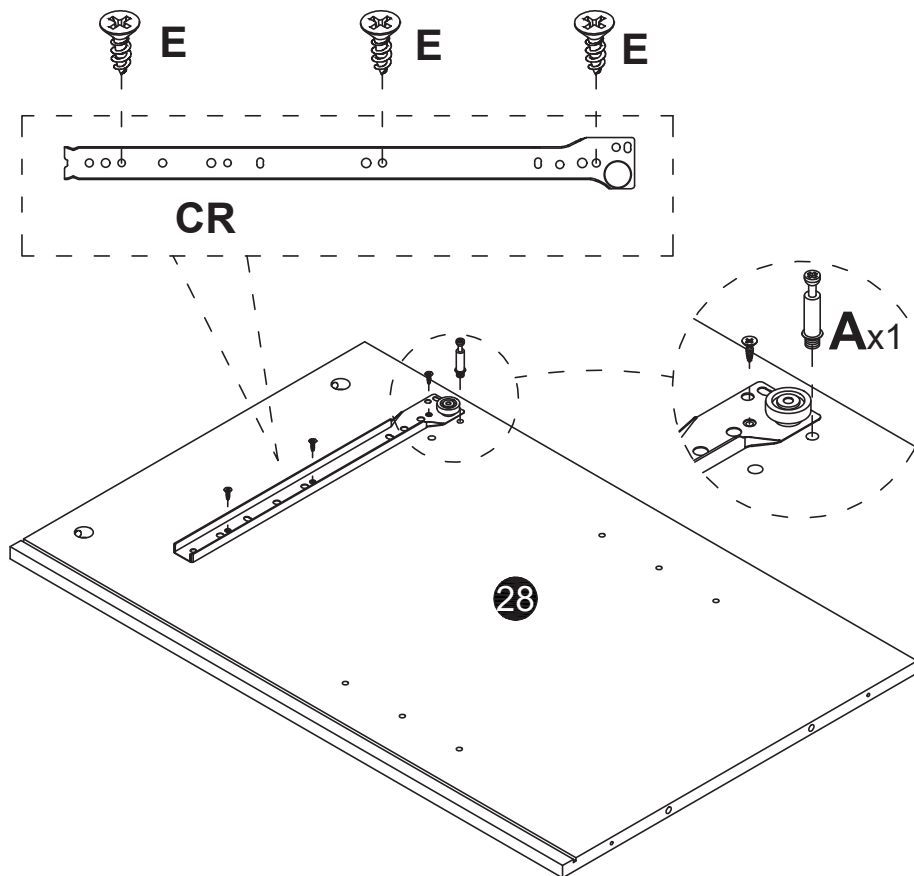


- A**  x1
- E**  x3
- H**  **H1**  **H2**  x1
- CL**  x1

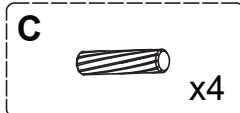
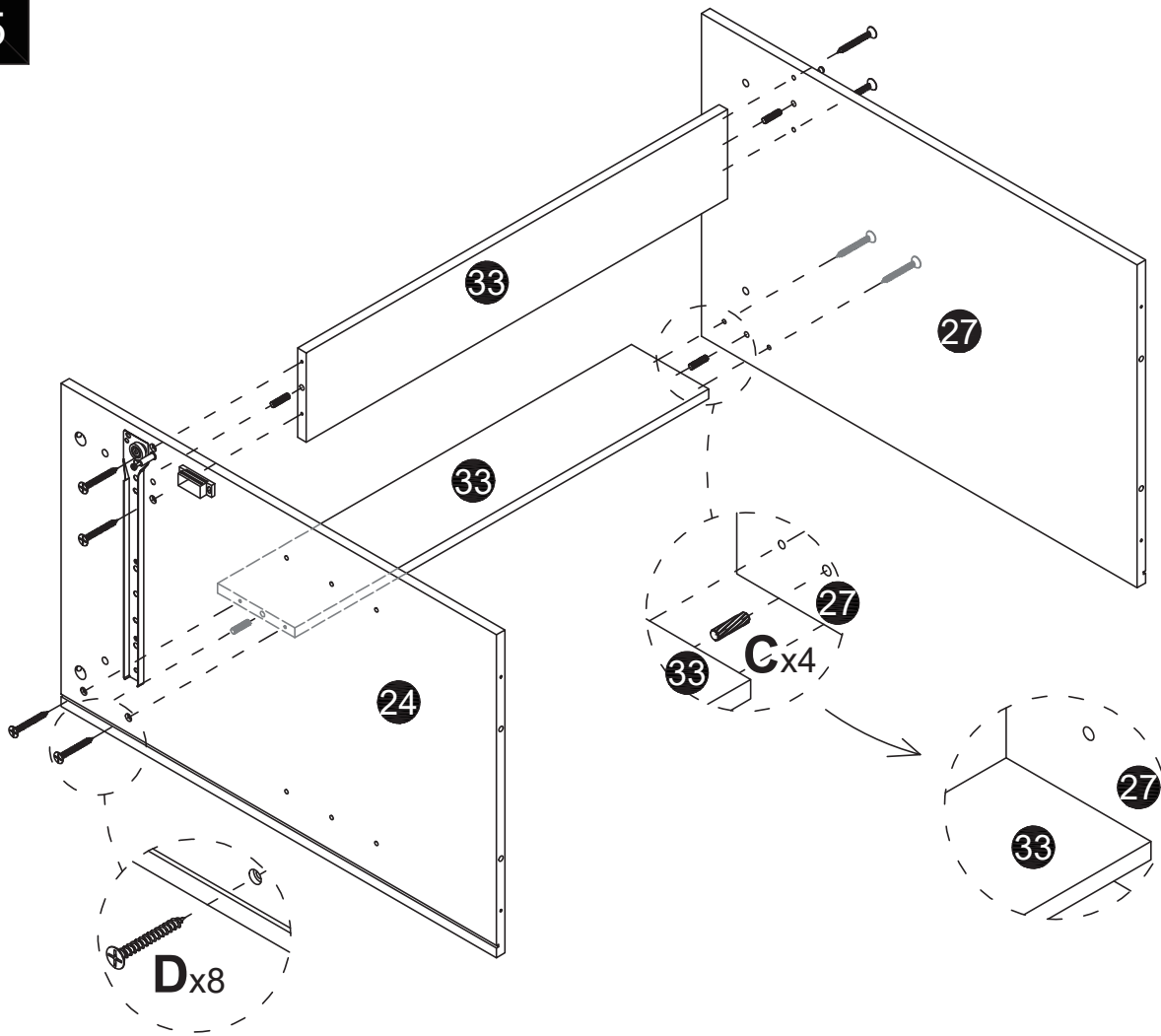
3



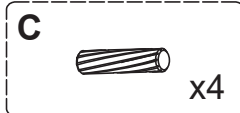
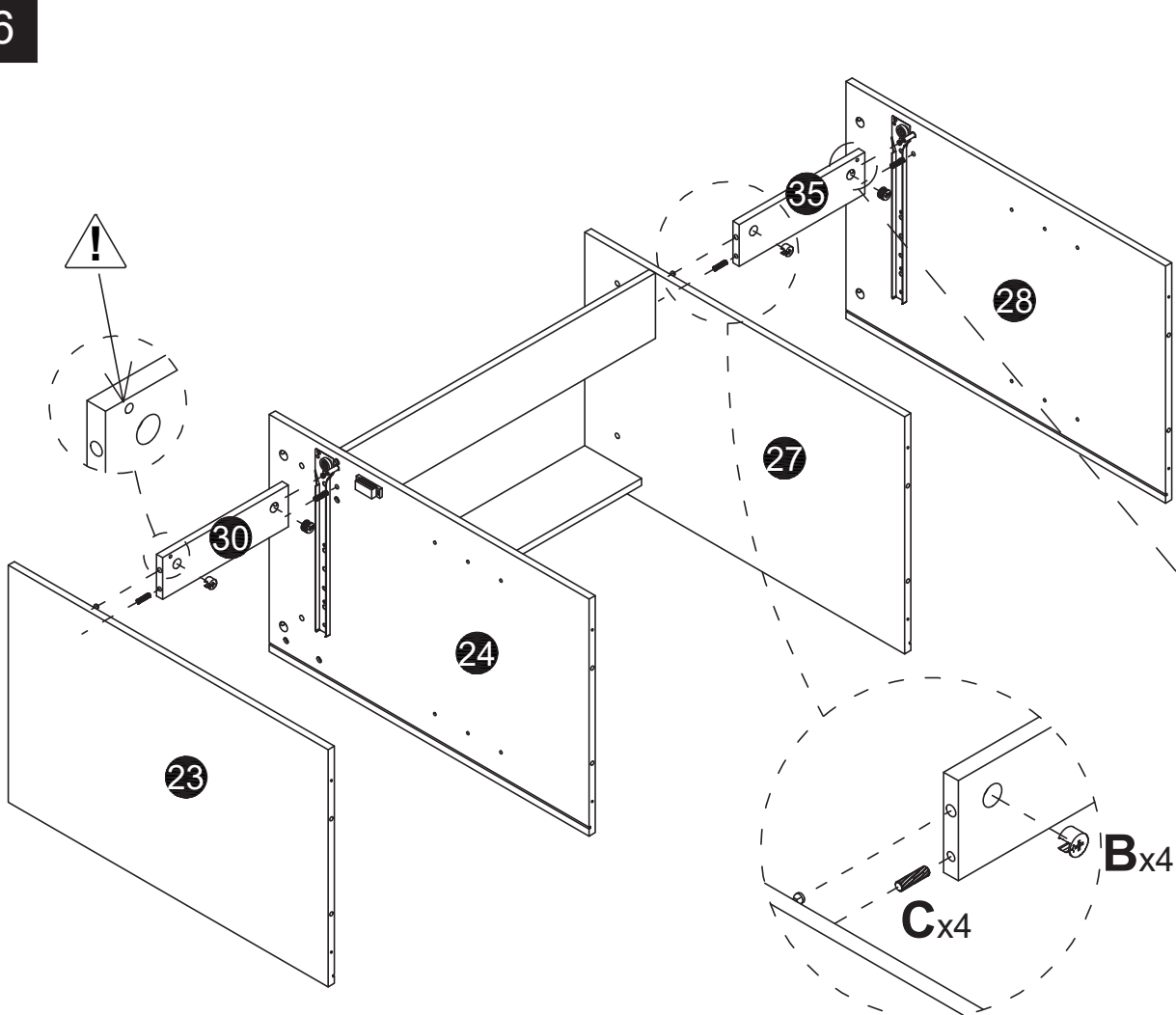
4



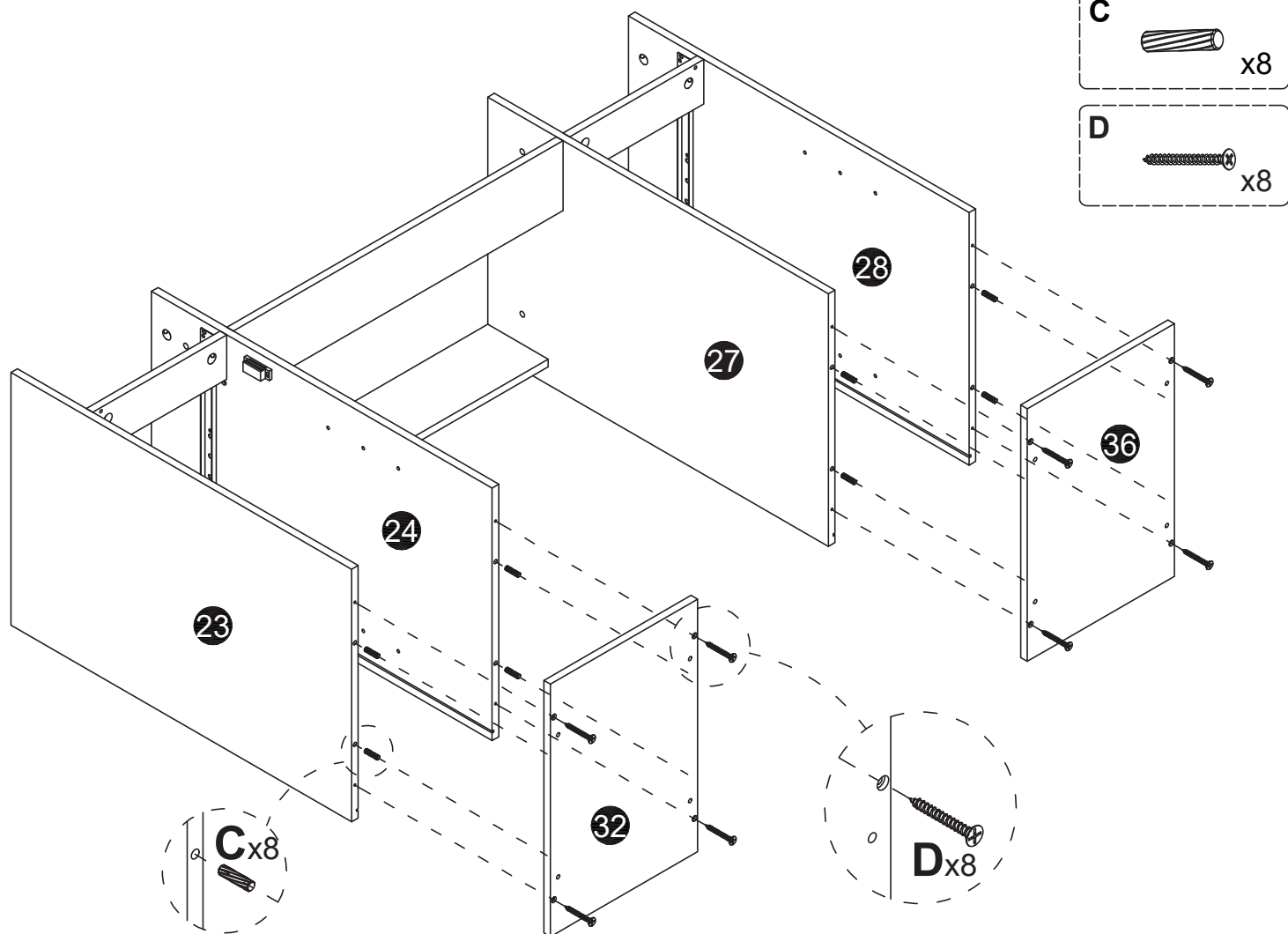
5



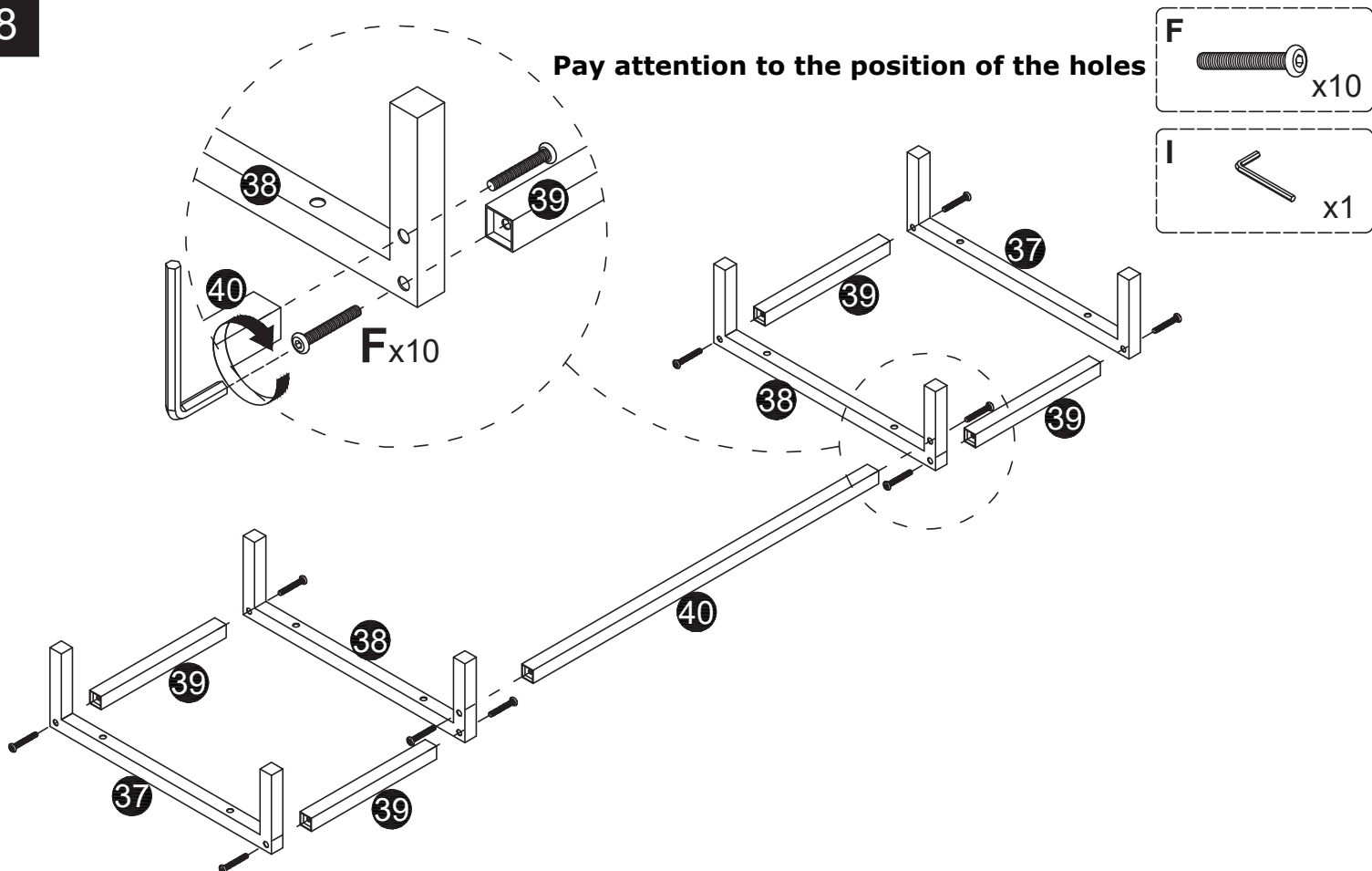
6



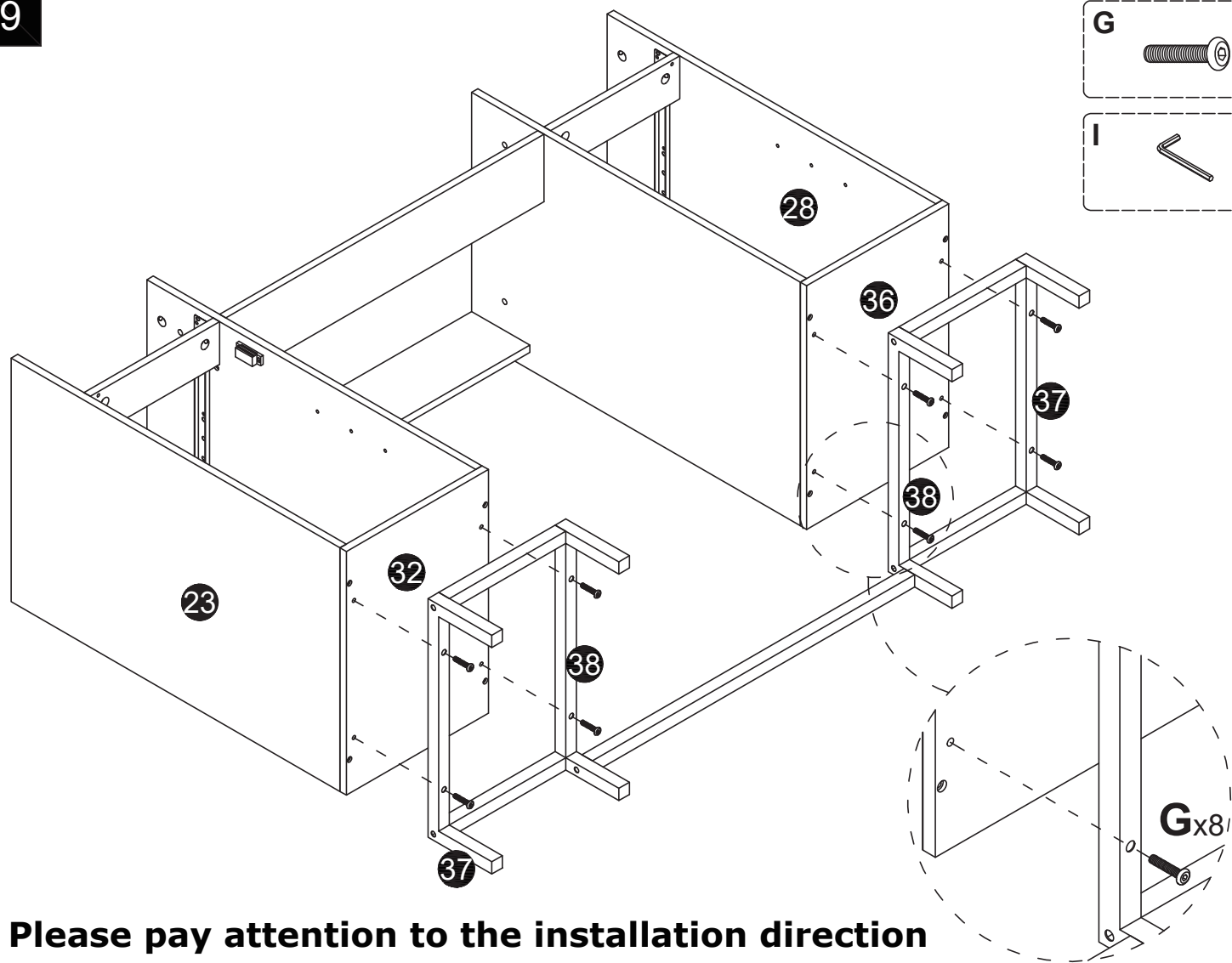
7



8



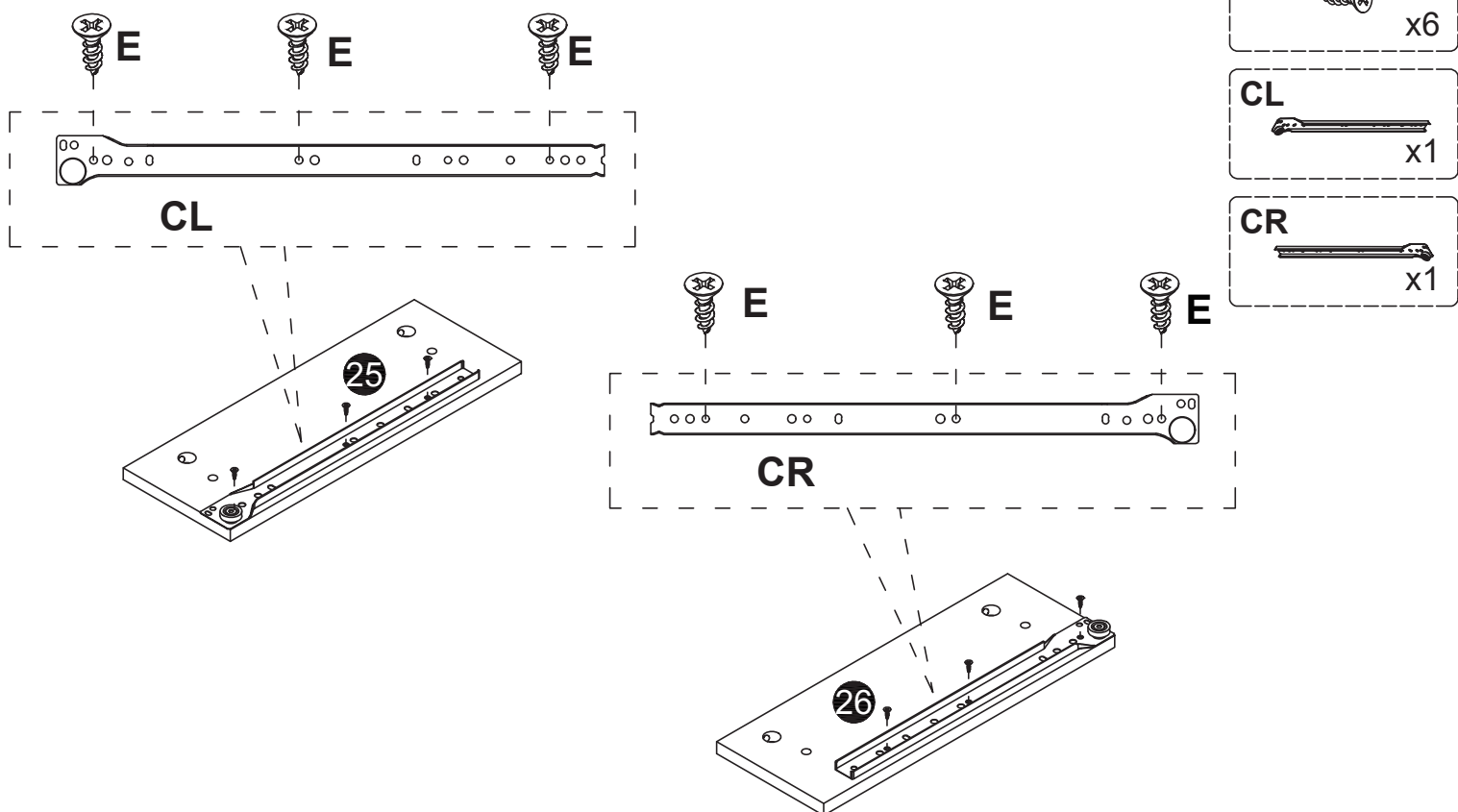
9



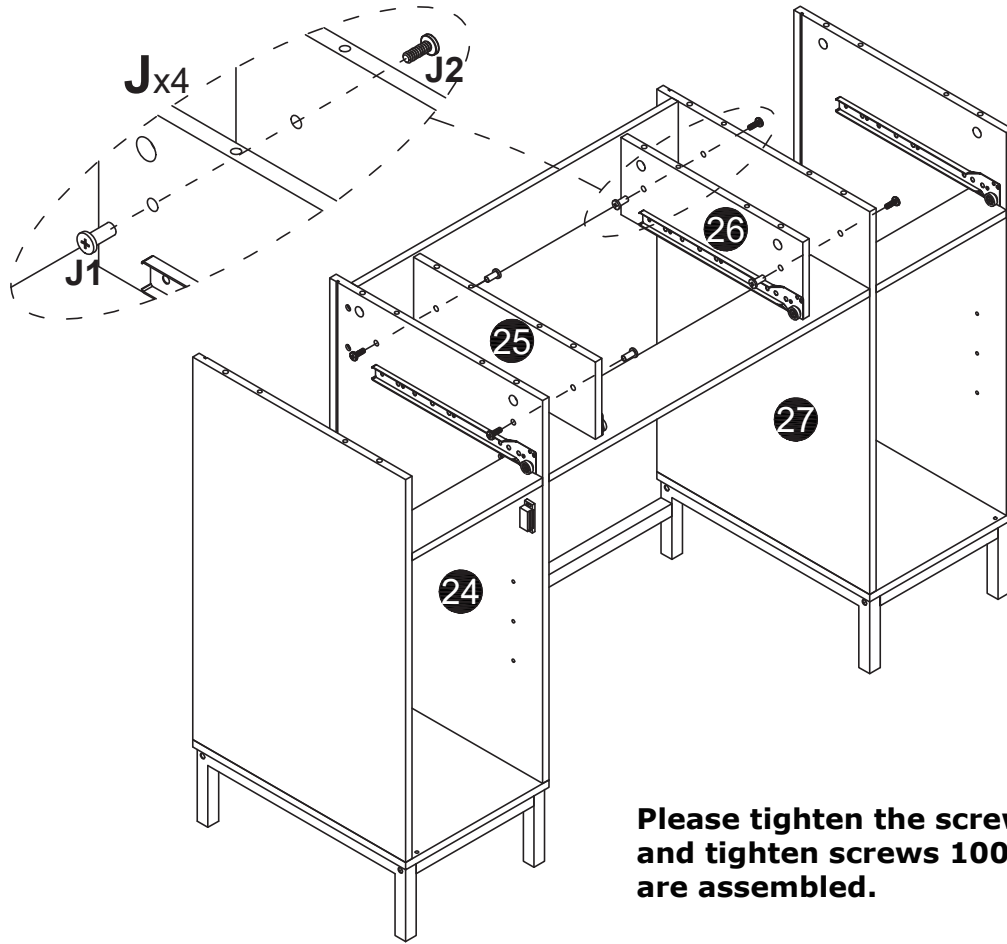
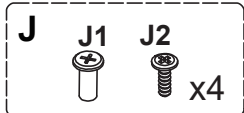
Please pay attention to the installation direction

10

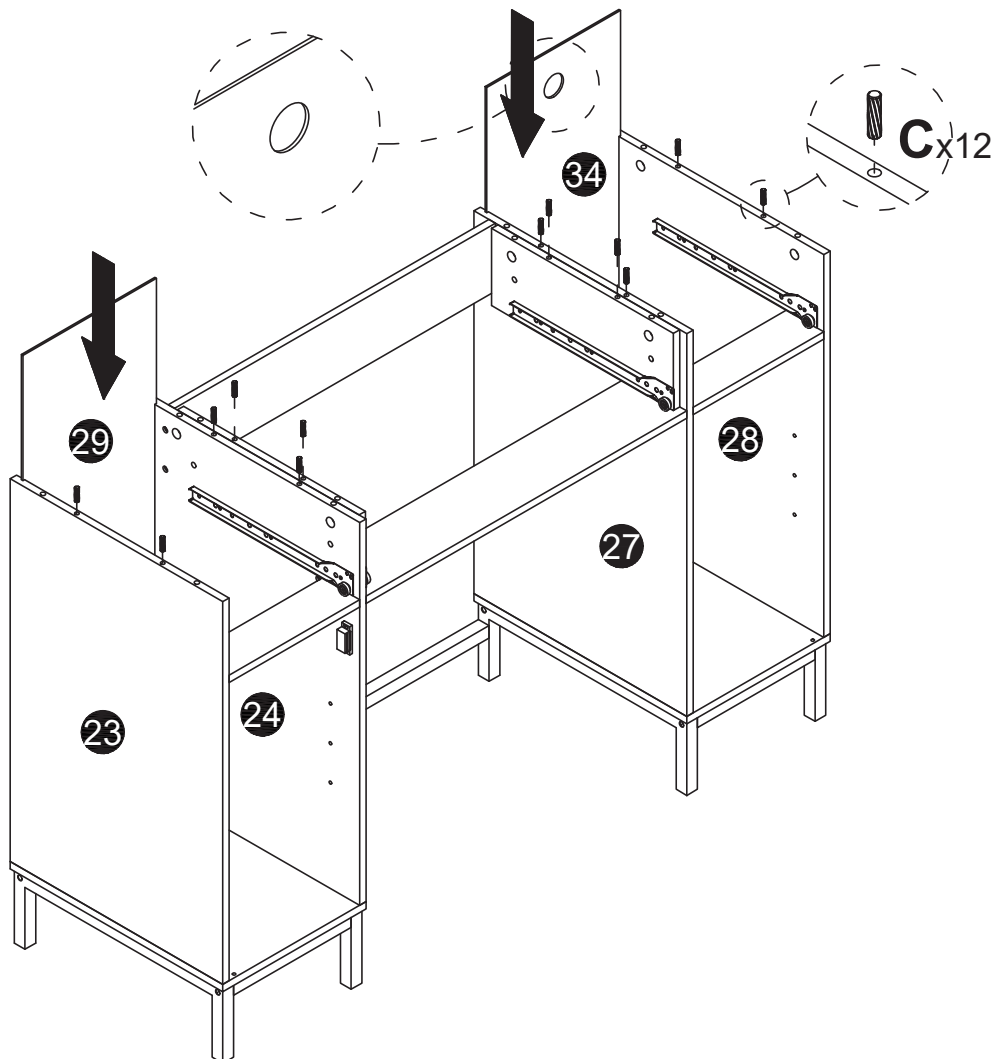
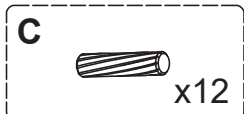
Please pay attention to the installation direction

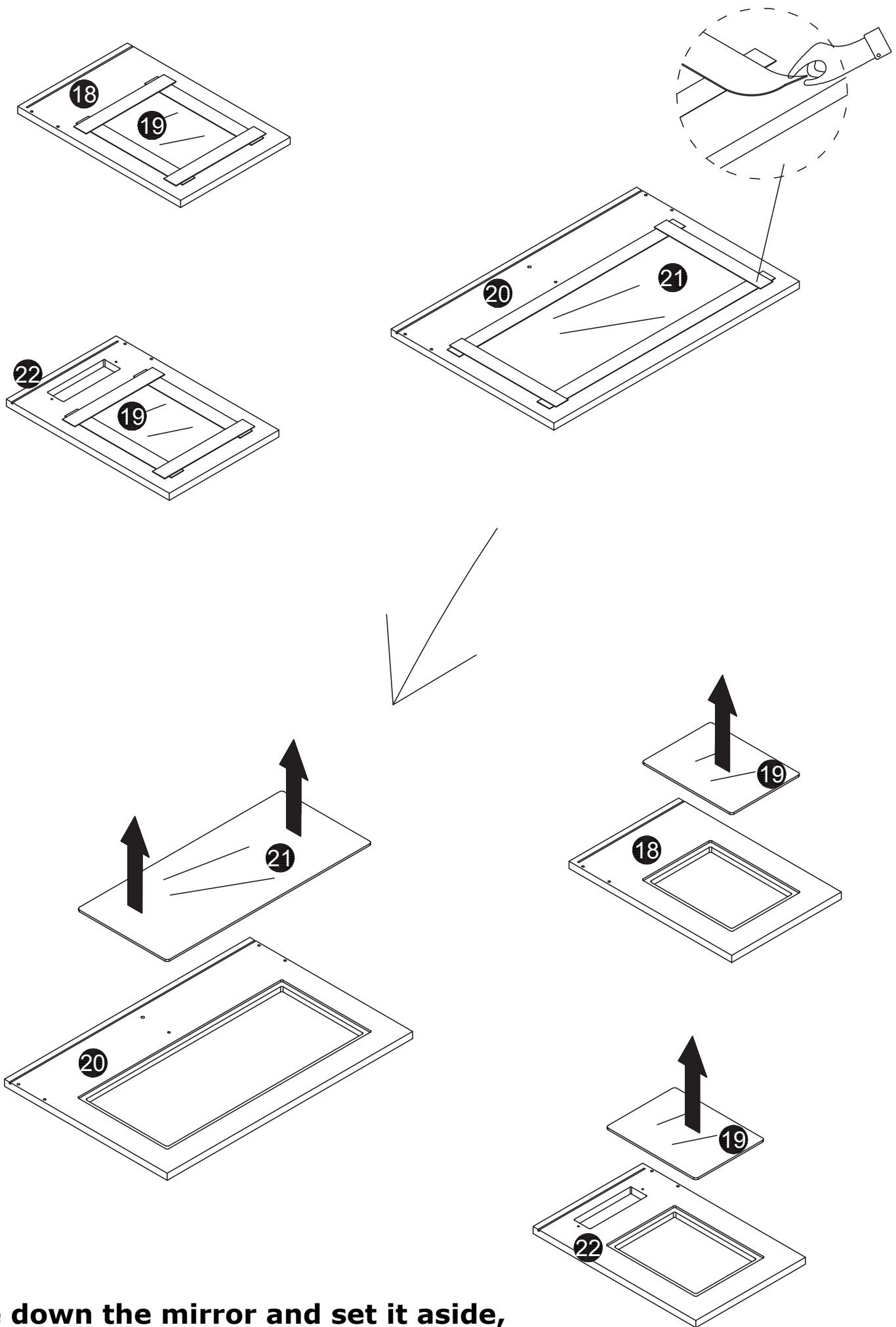


Pay attention to the position of the holes

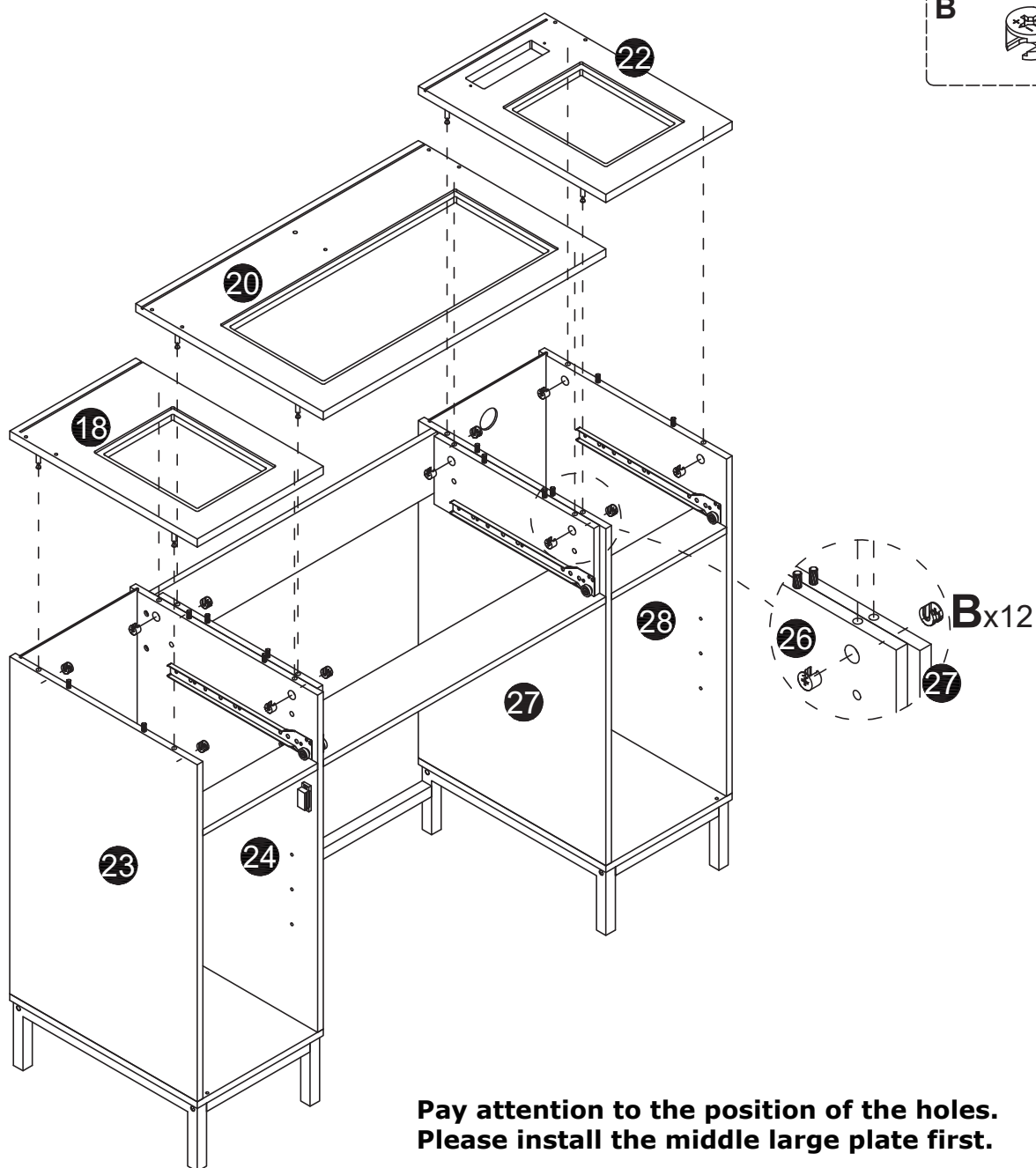
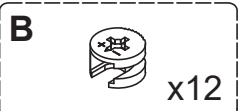
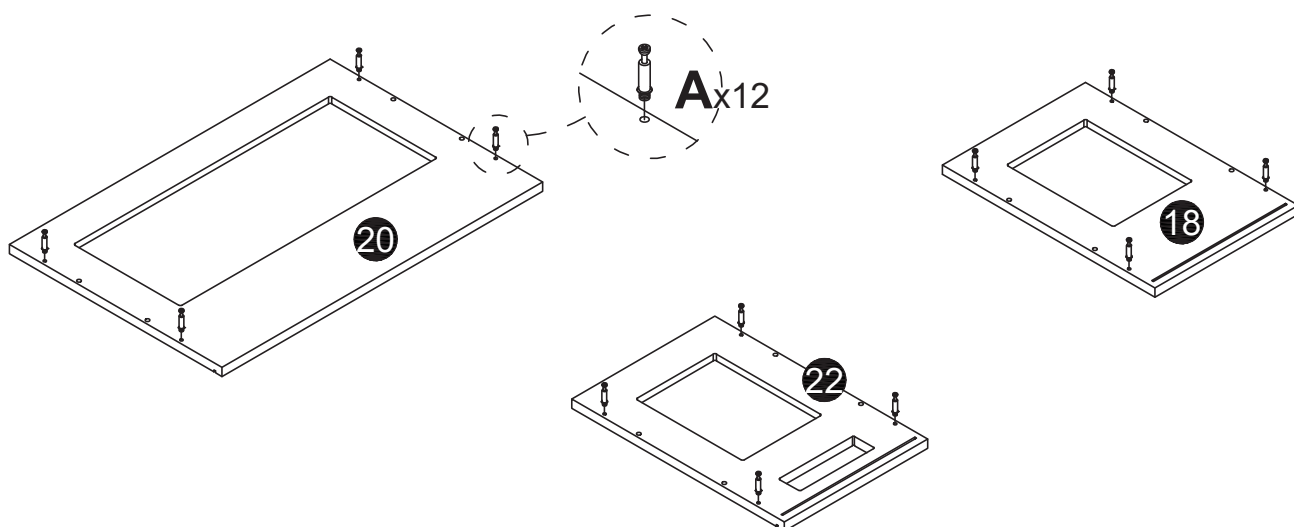
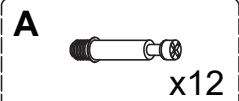


Please tighten the screws to 80% first, and tighten screws 100% after Step 15 are assembled.

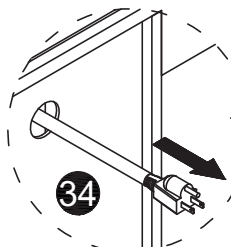
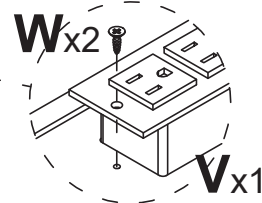
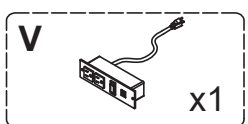
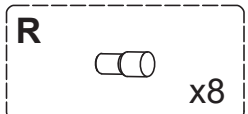
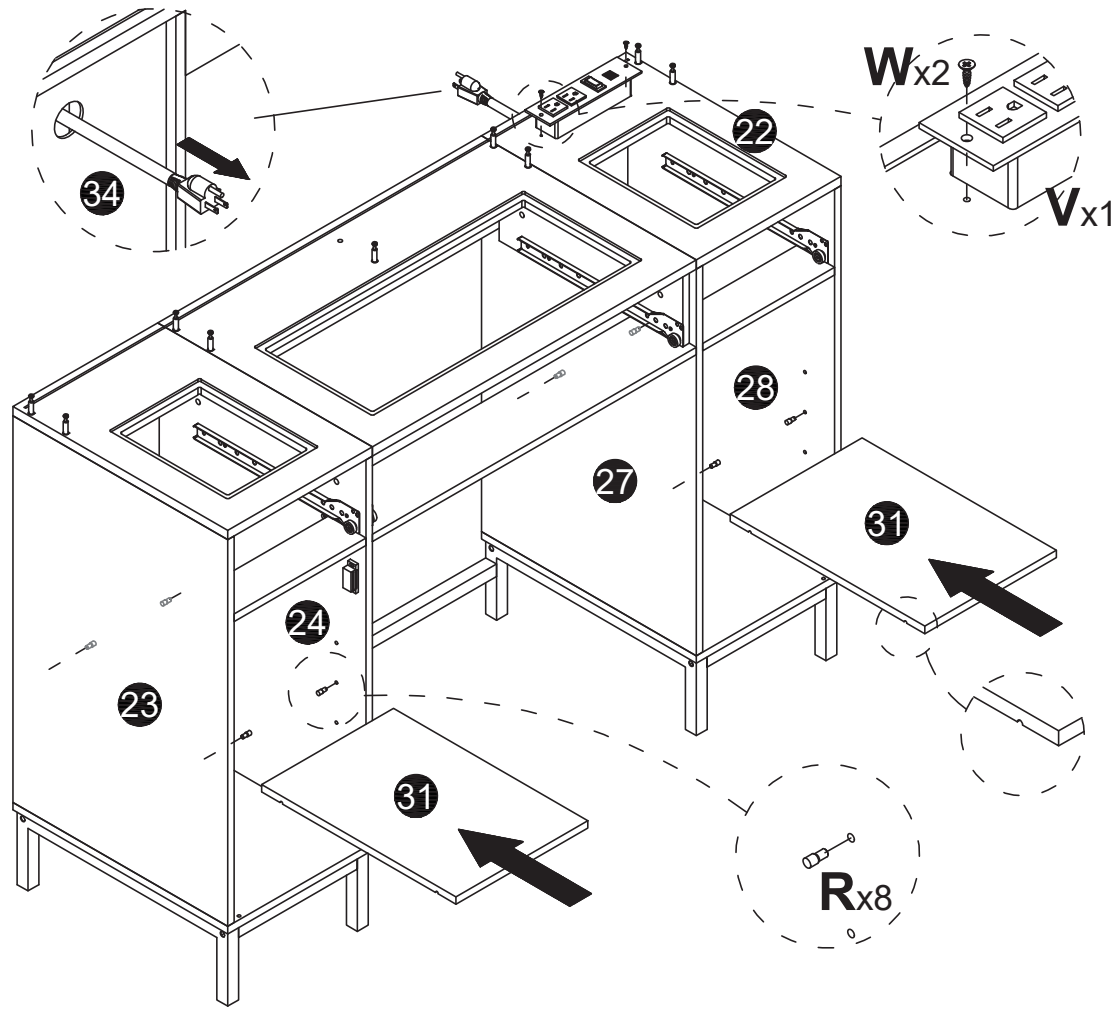
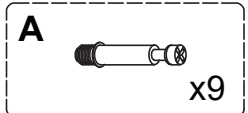
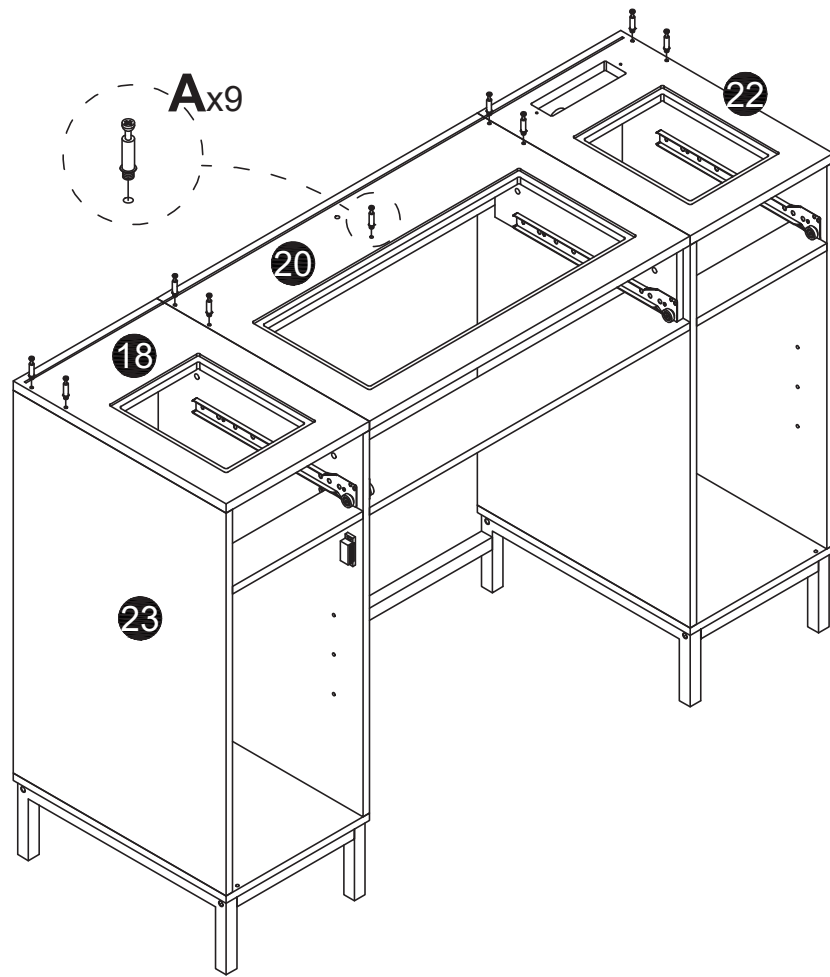


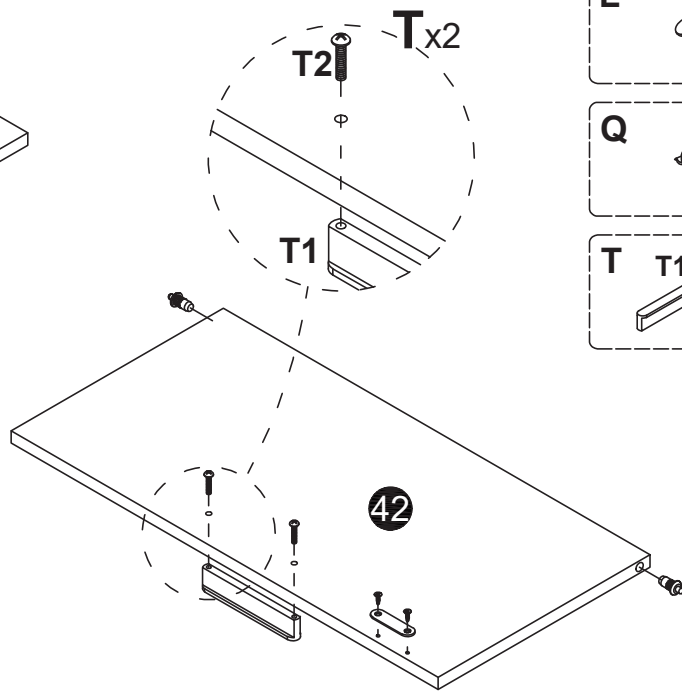
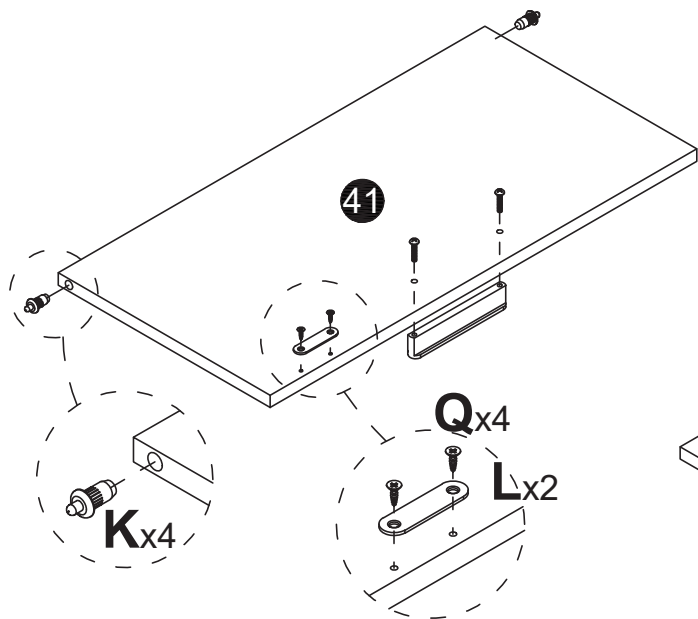







**Take down the mirror and set it aside,
then proceed with the final step of installing the mirror**

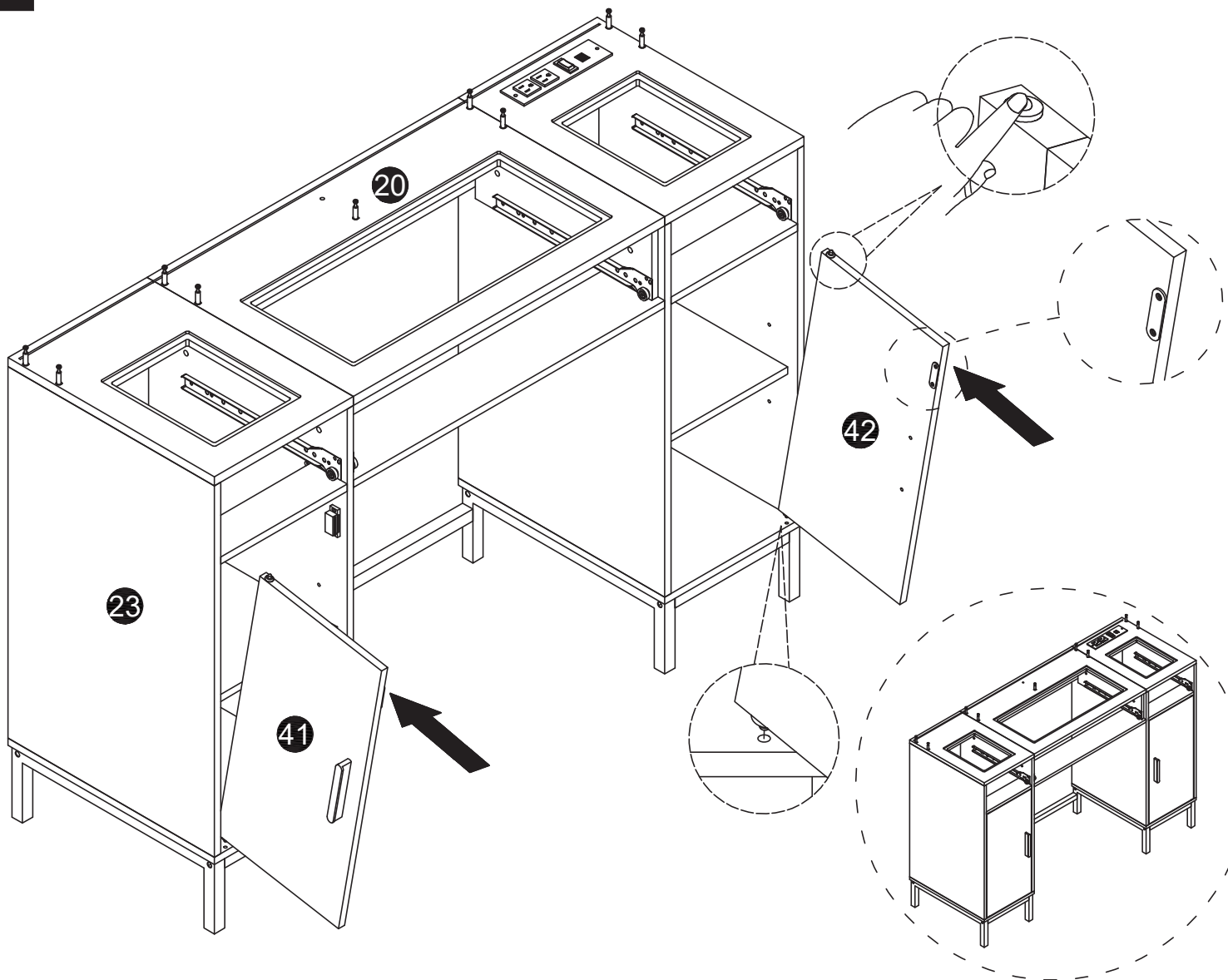


**Pay attention to the position of the holes.
Please install the middle large plate first.**

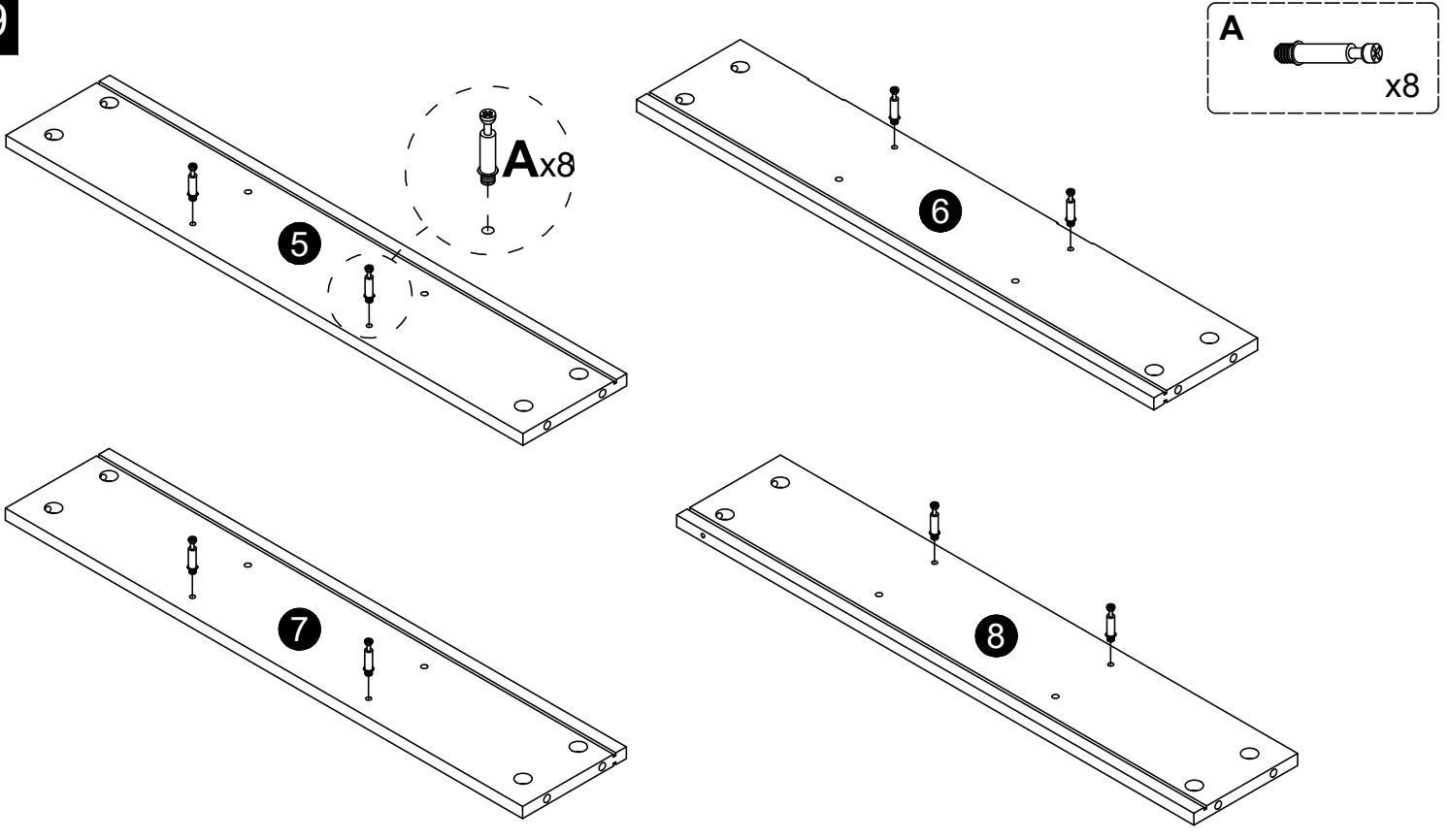




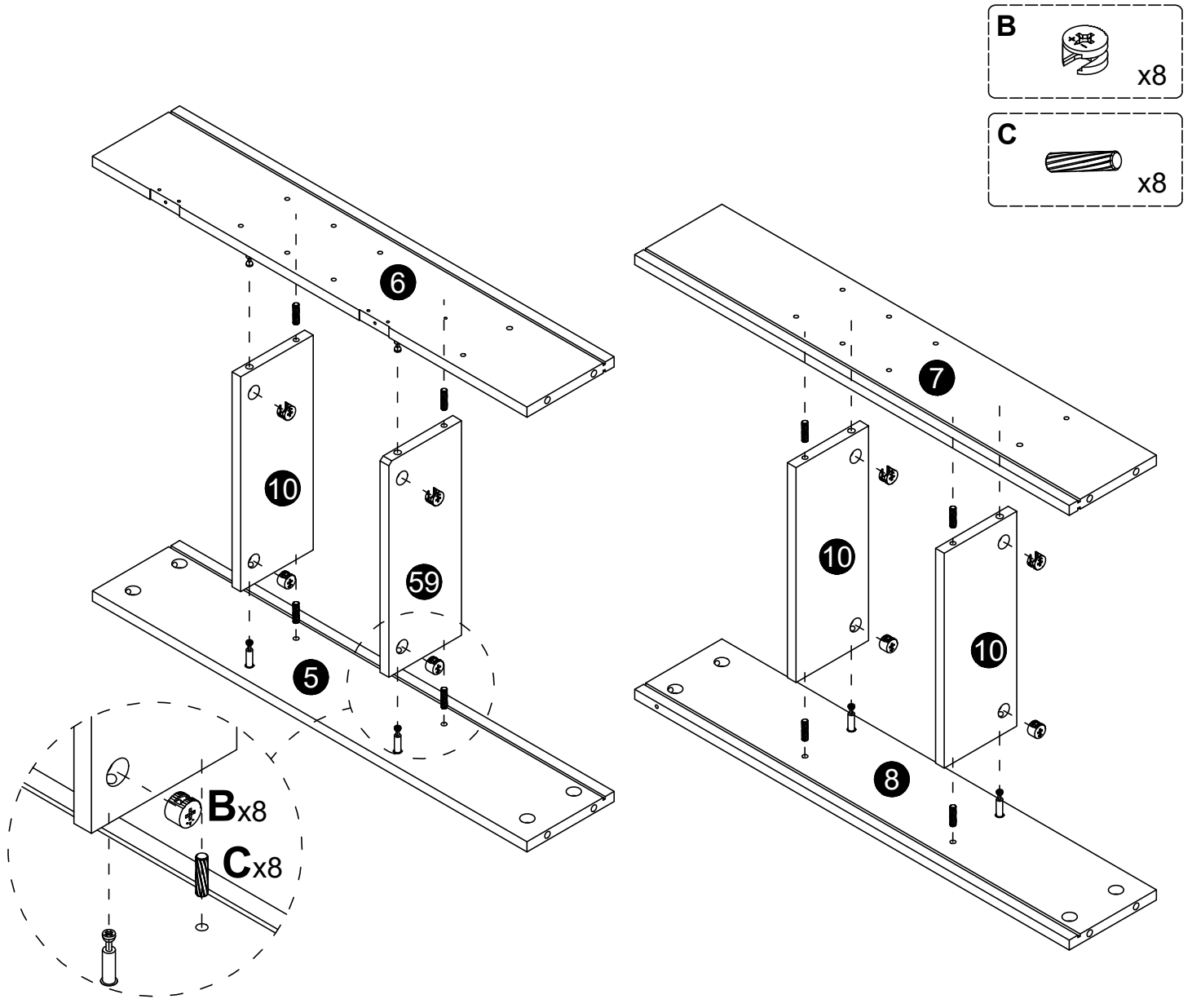
- K**  x4
- L**  x2
- Q**  x4
- T**  T1  T2 x2



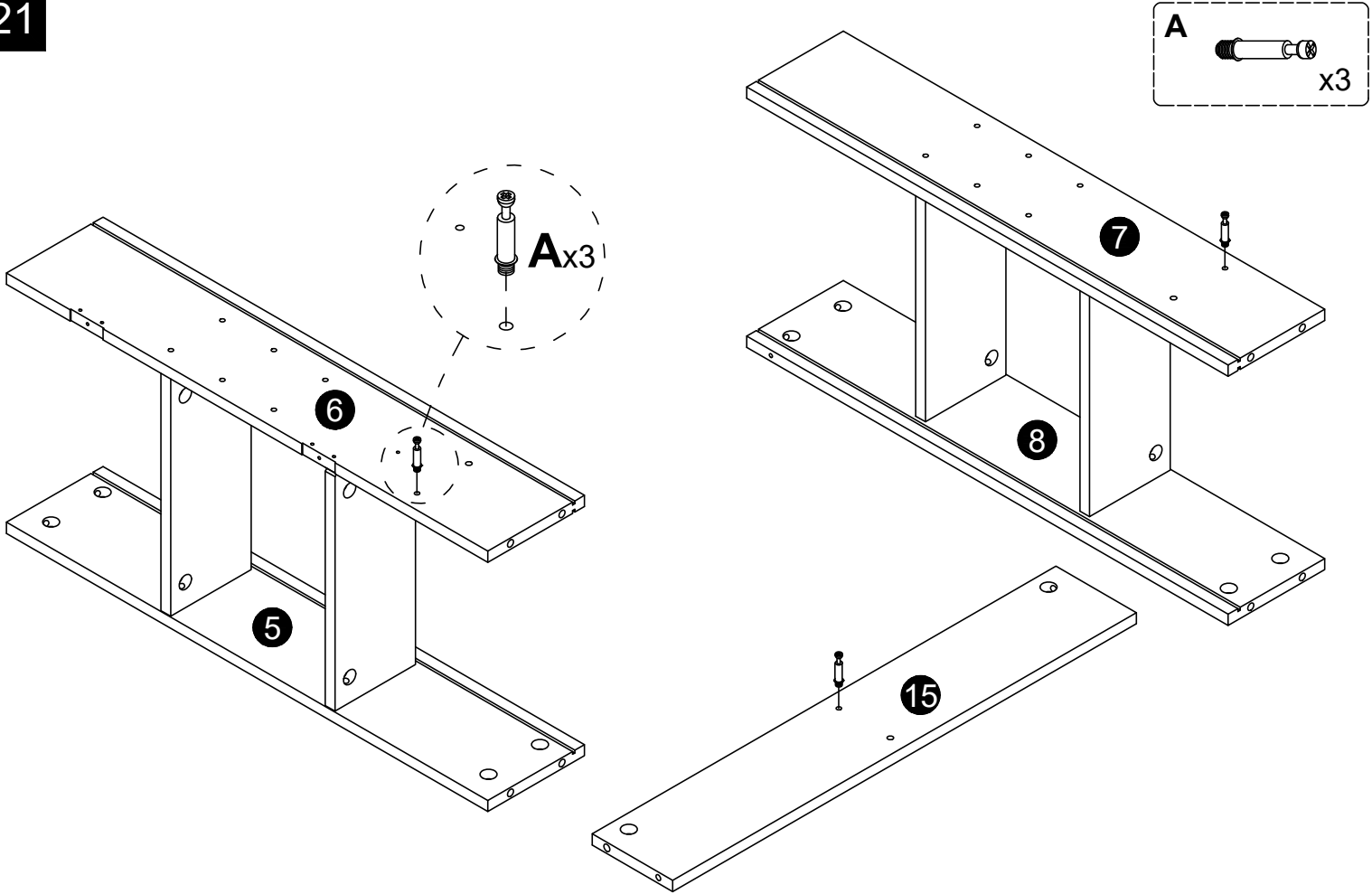
19



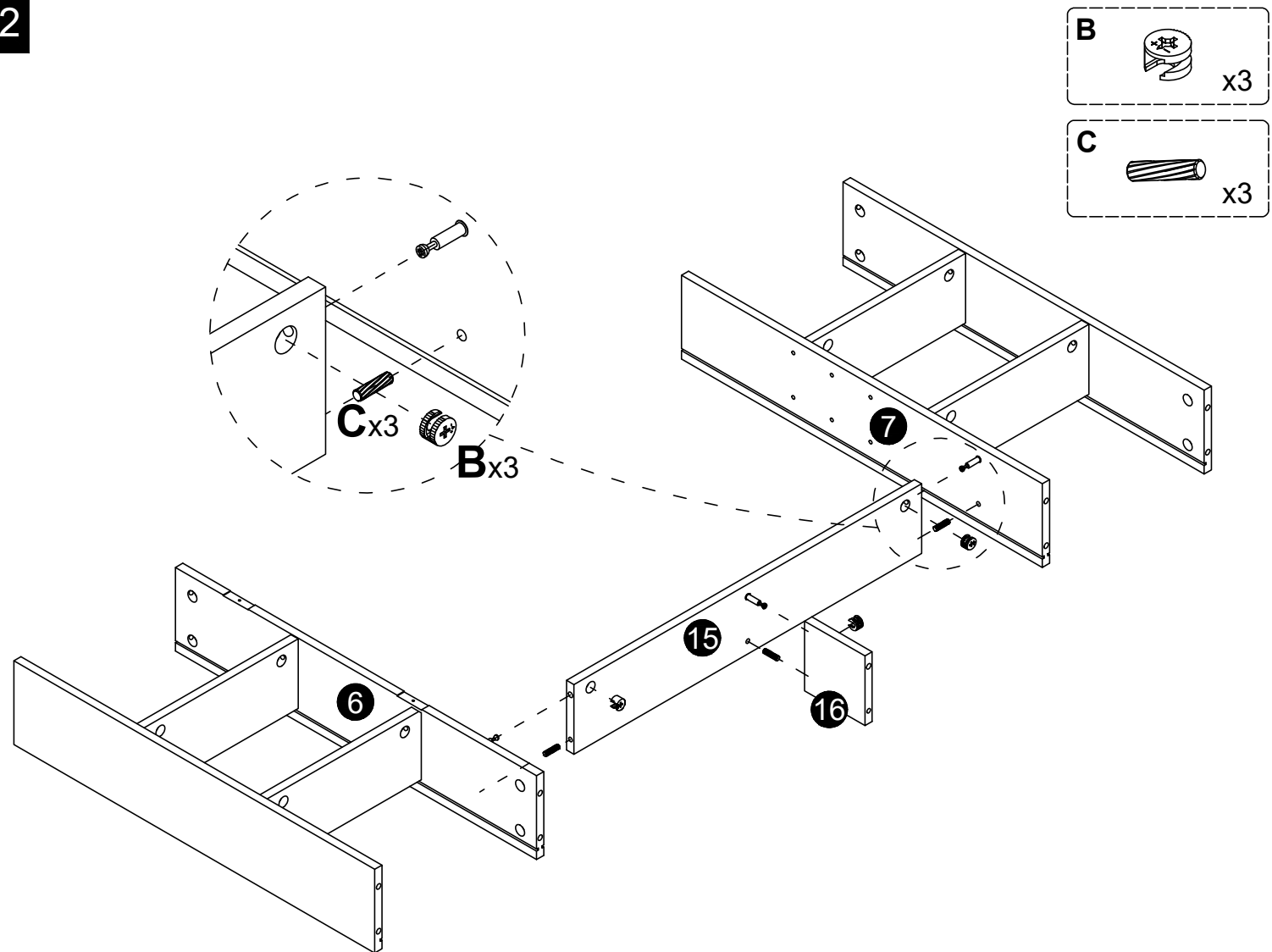
20

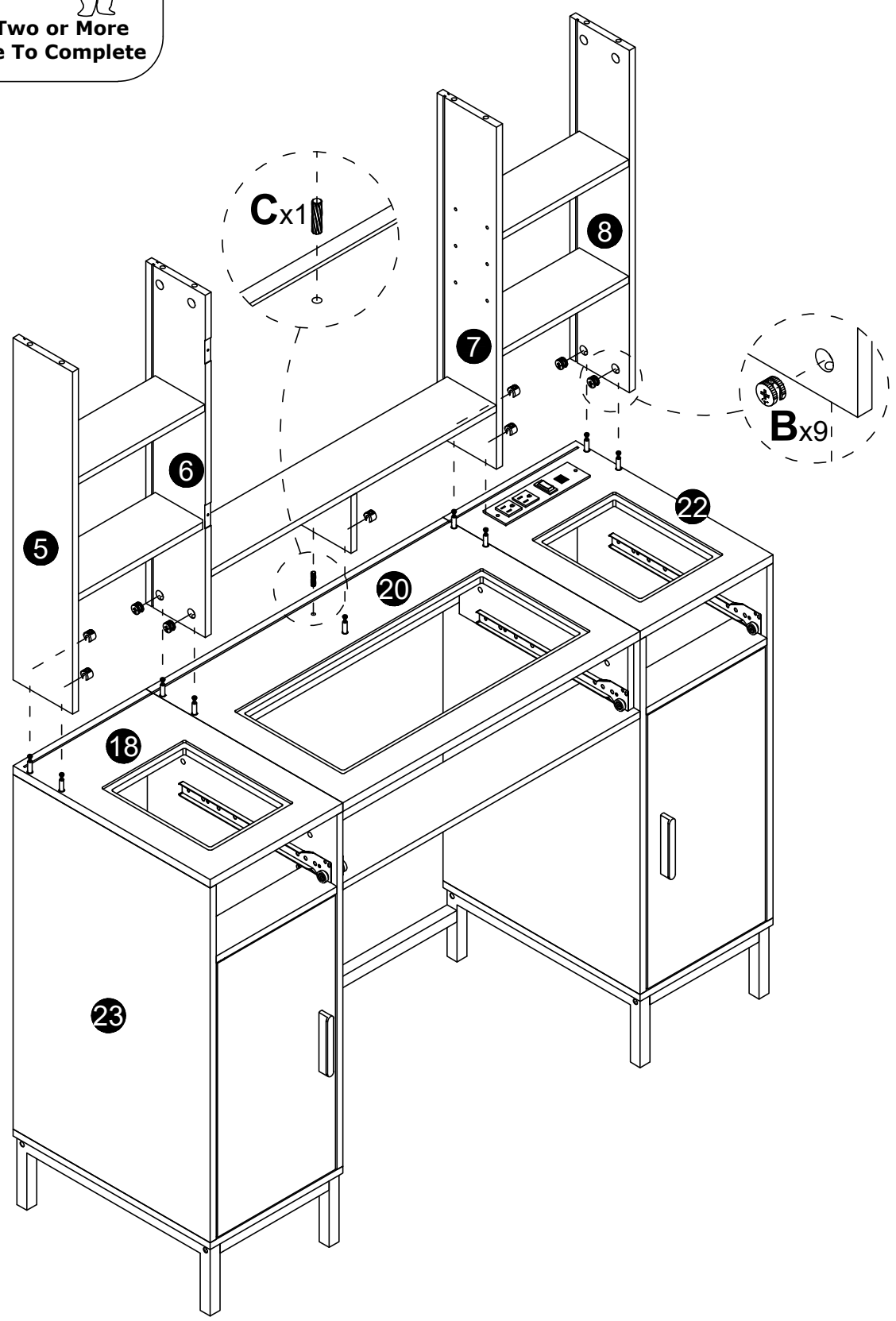
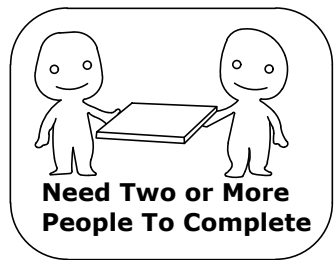
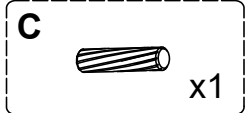


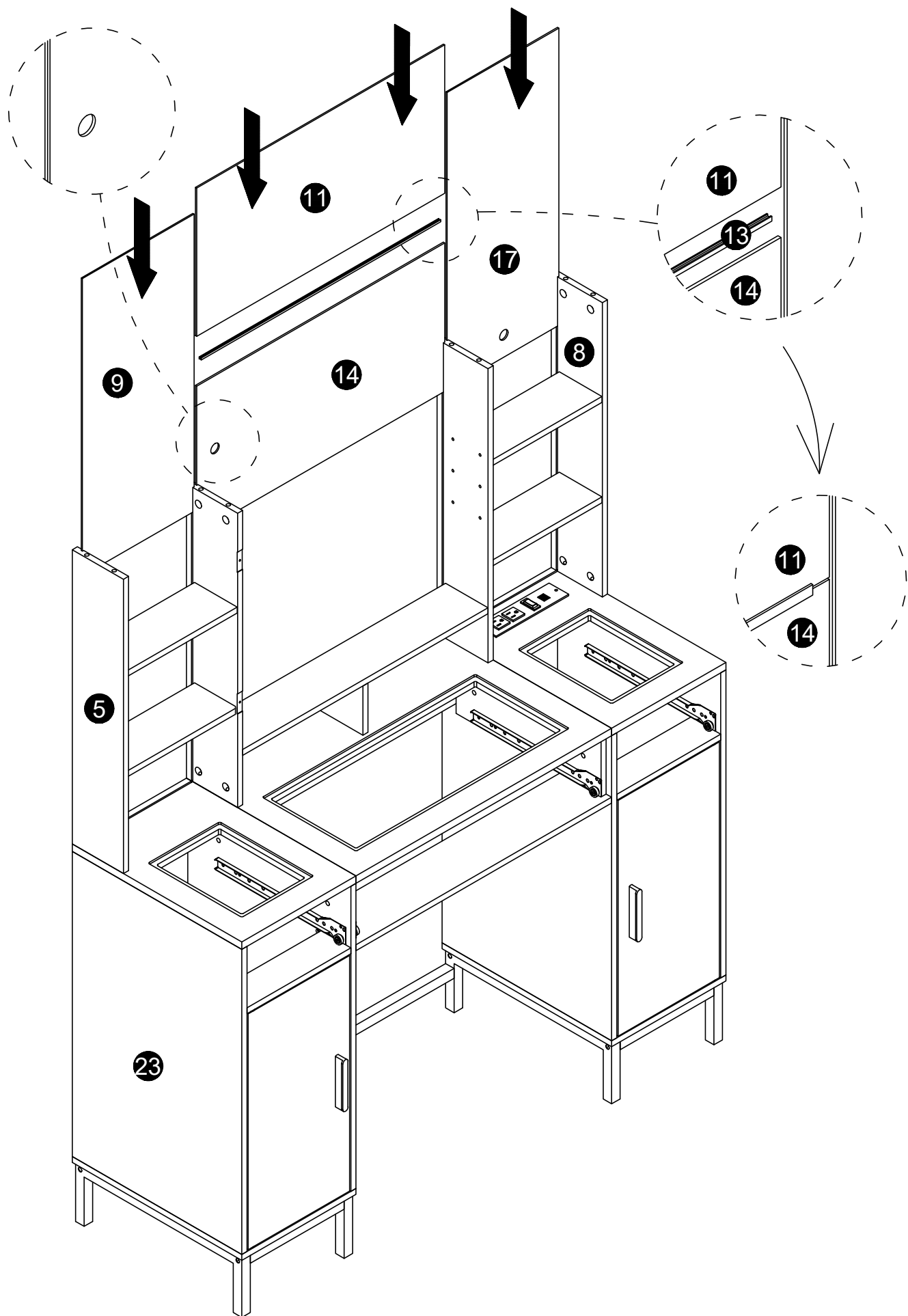
21



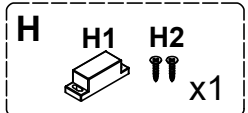
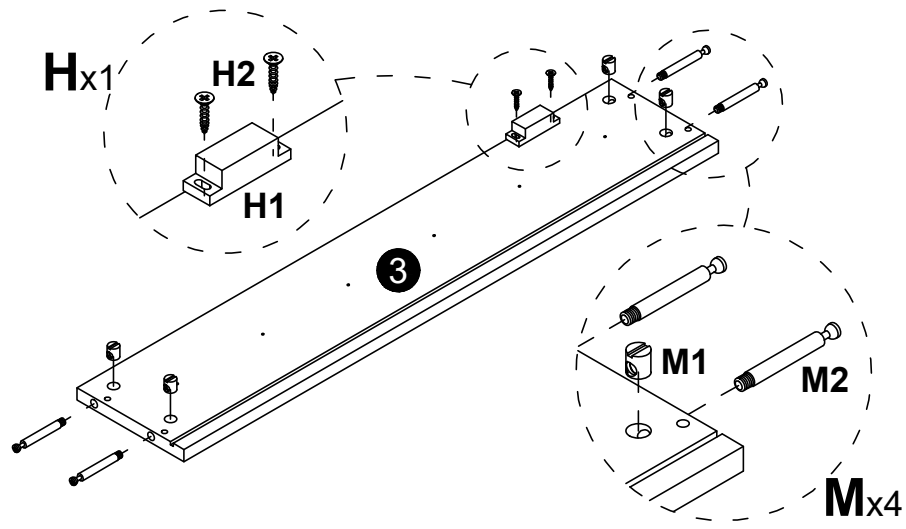
22



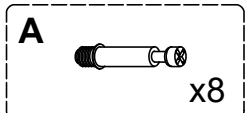
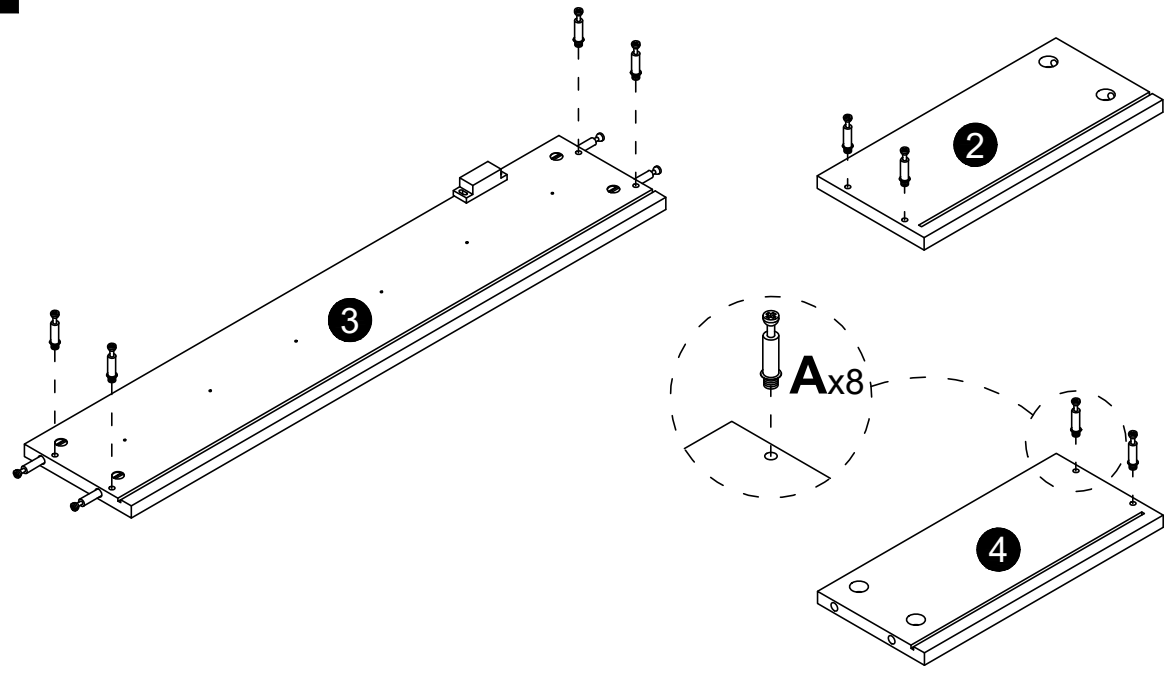




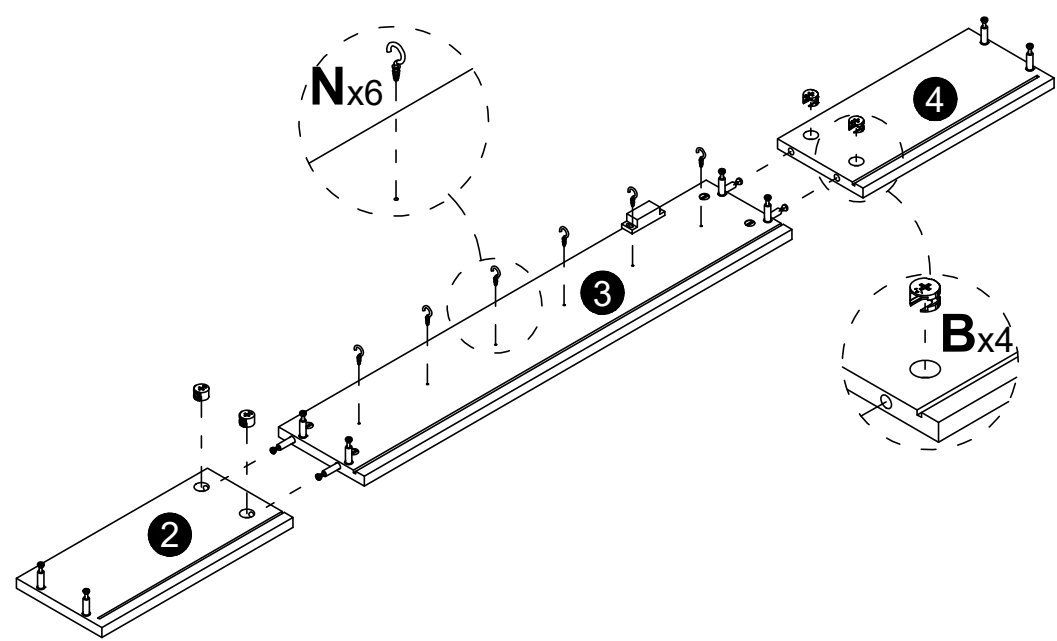
25

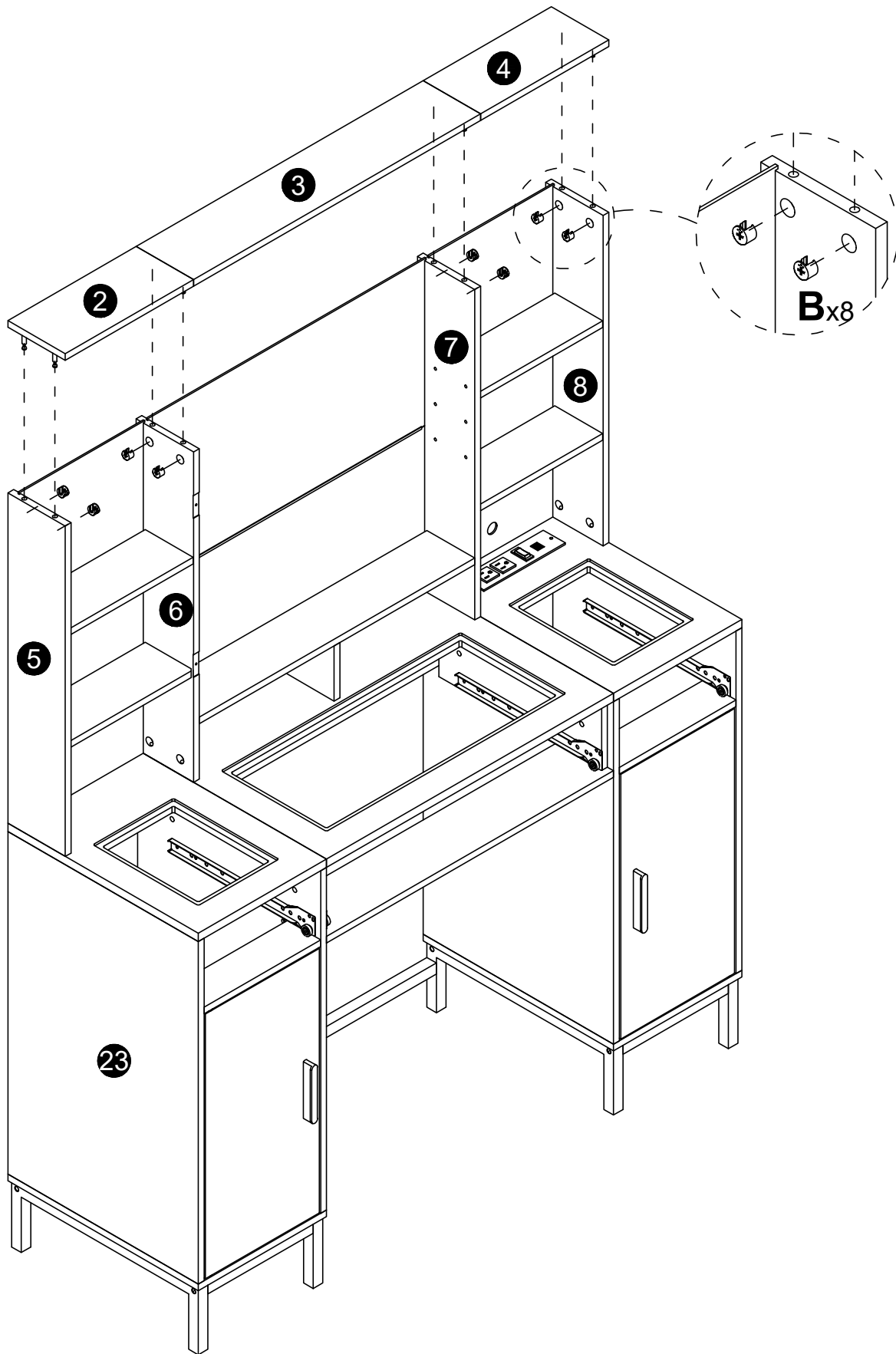


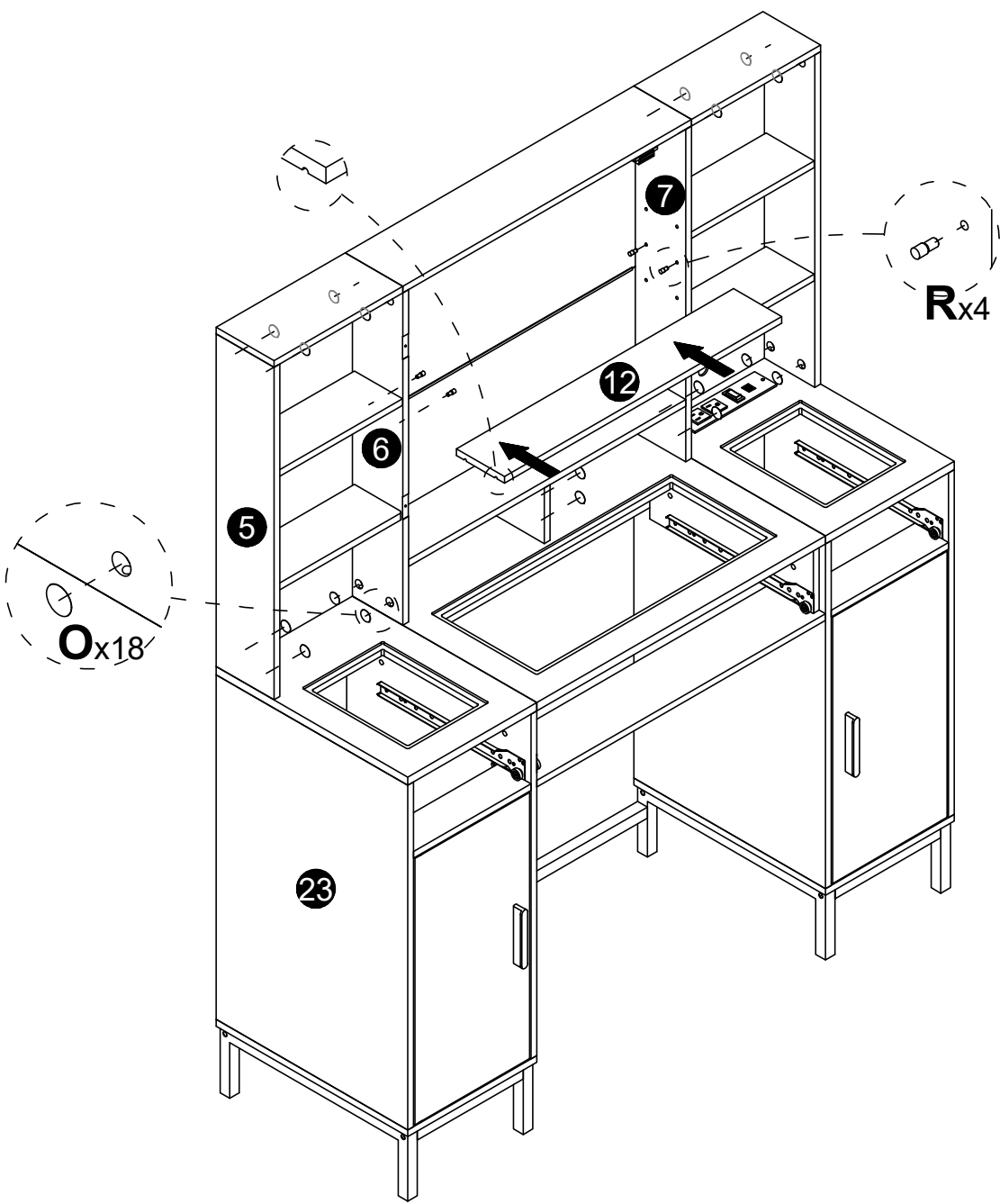
26

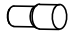


27





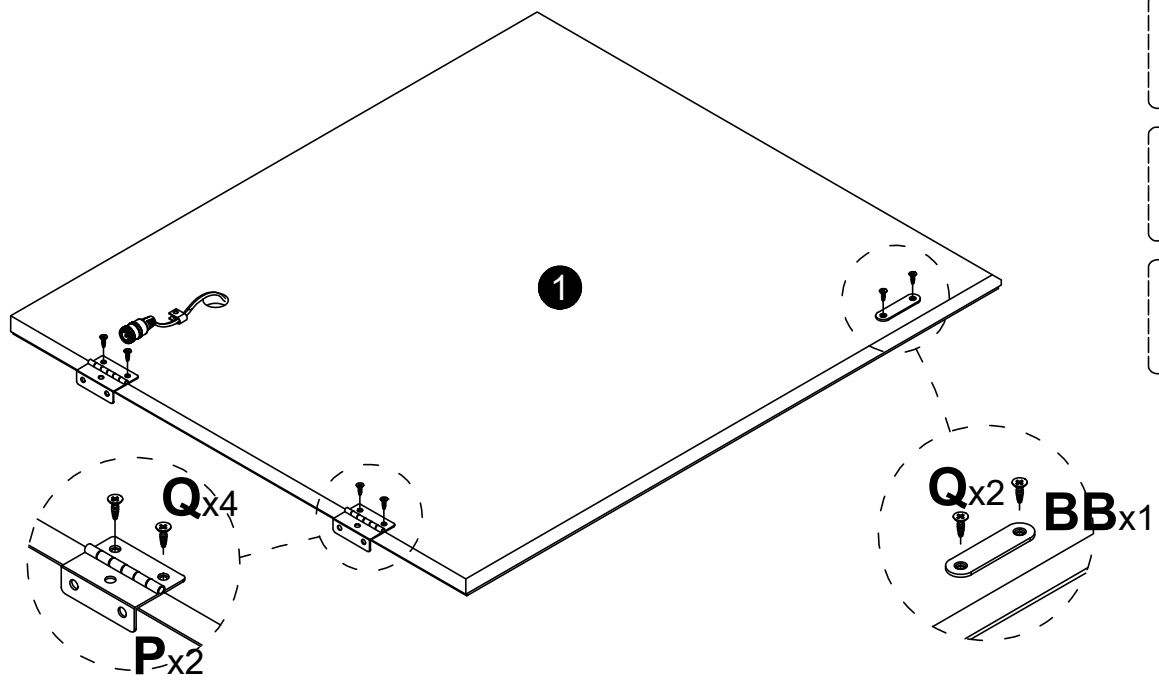



R  x4

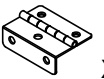
O  x18

Rx4

Ox18



BB  x1

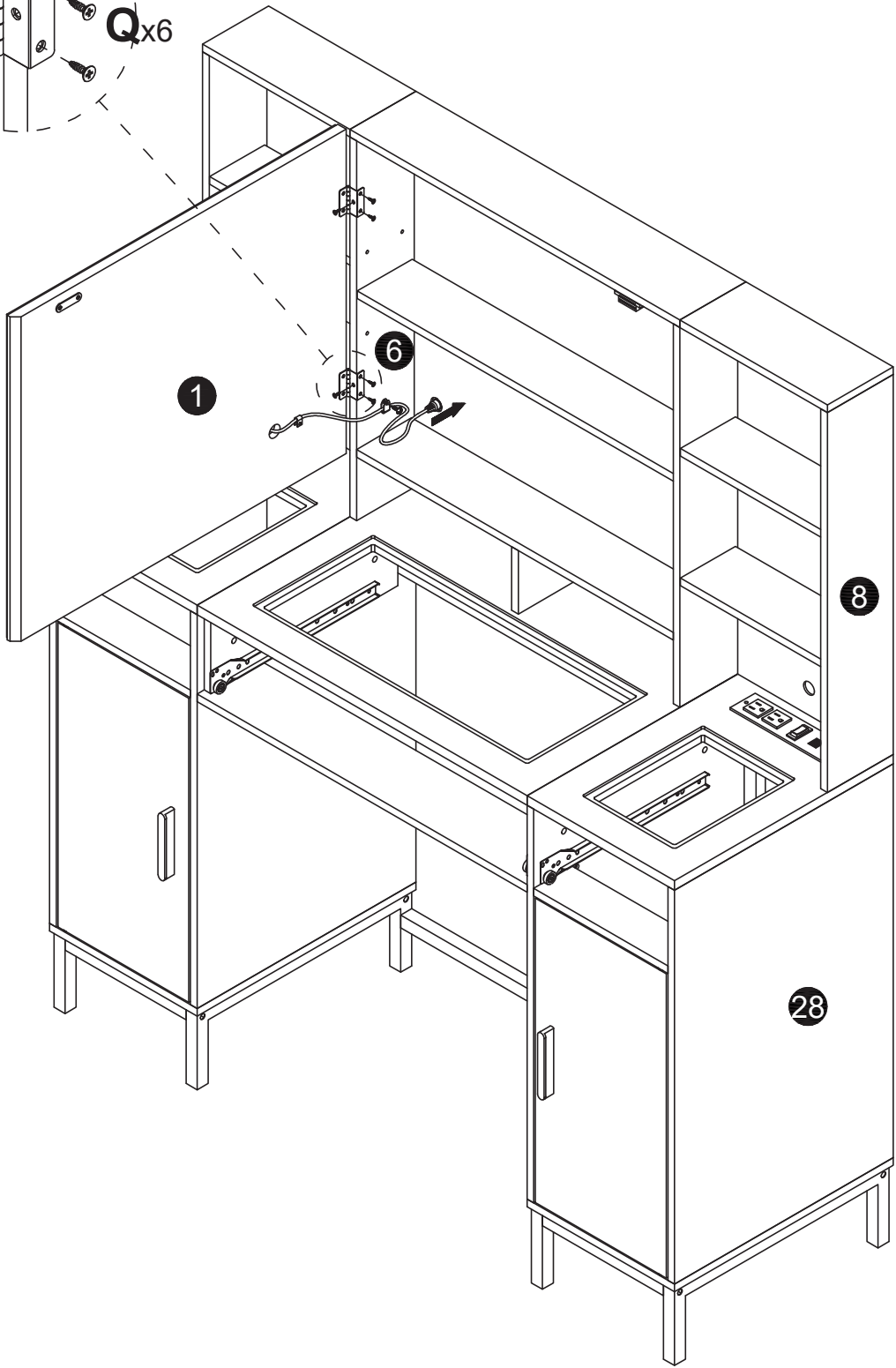
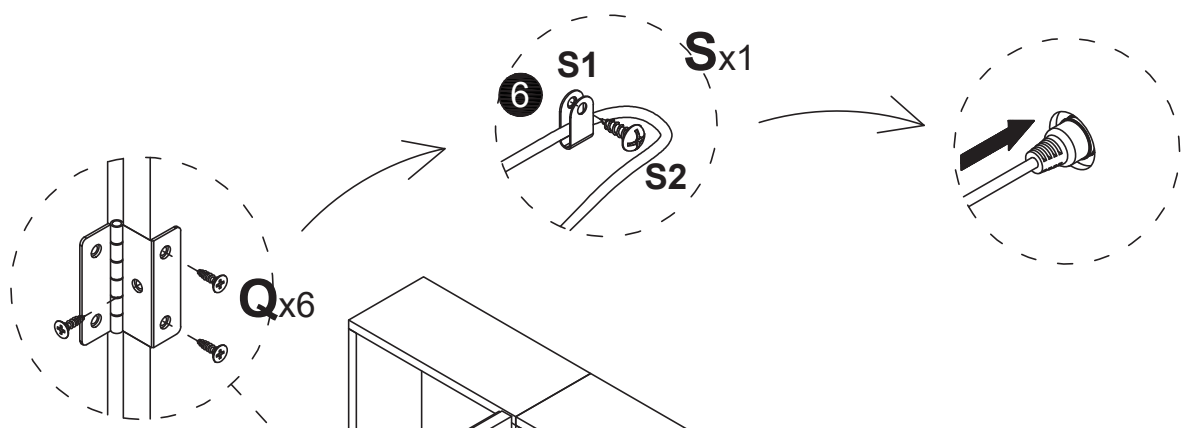
P  x2

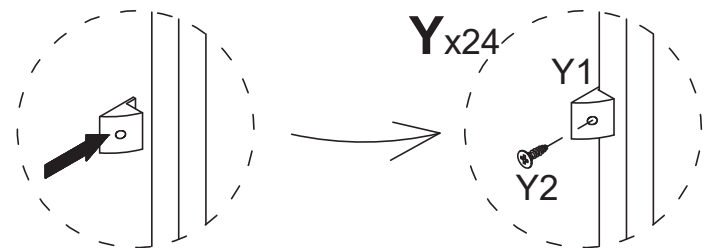
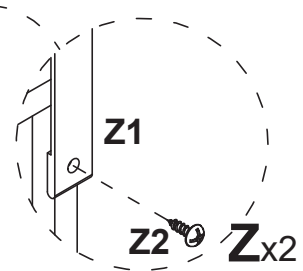
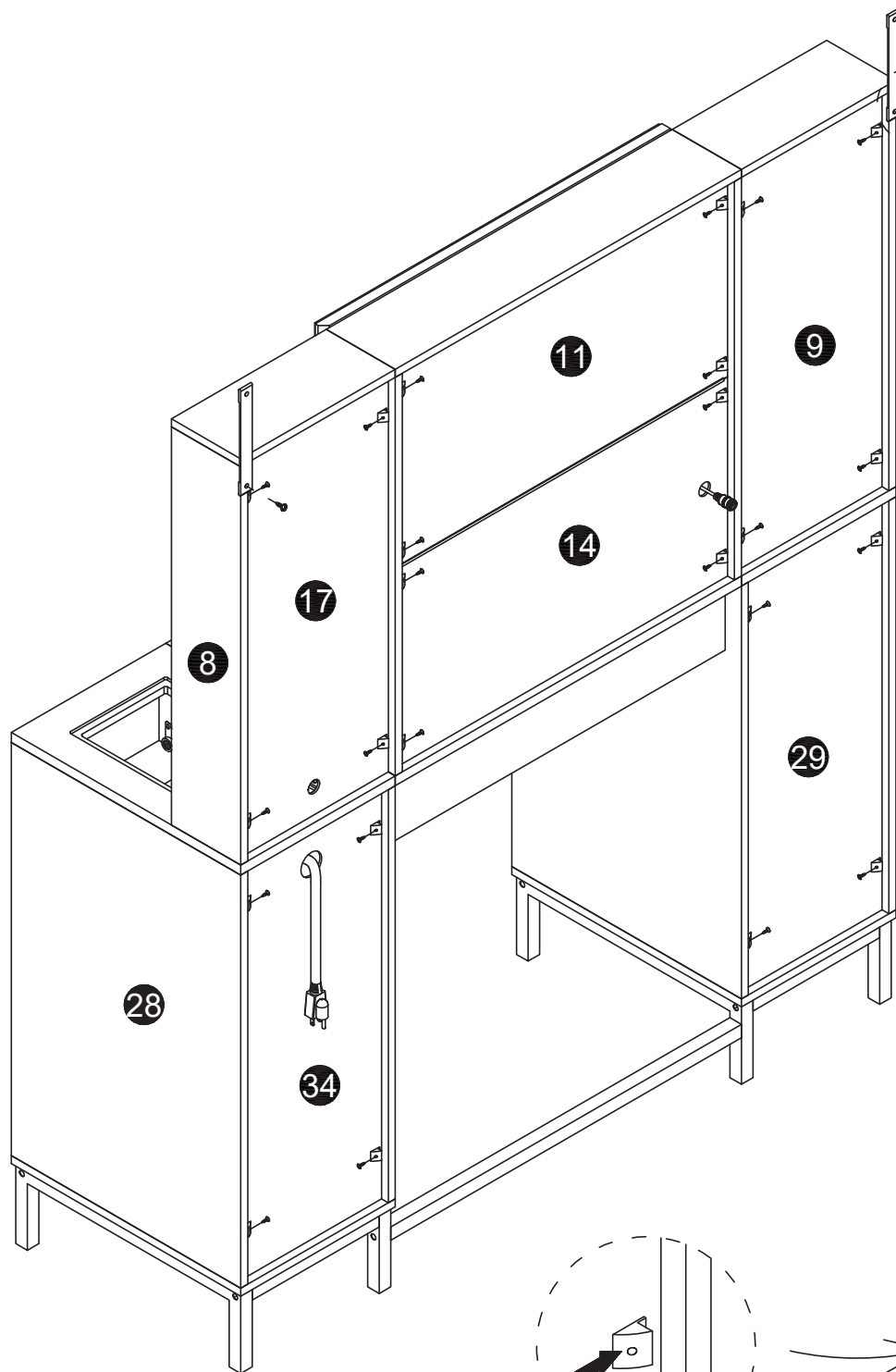
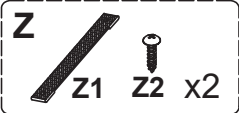
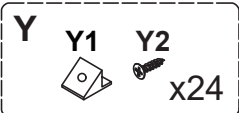
Q  x6

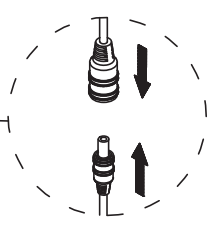
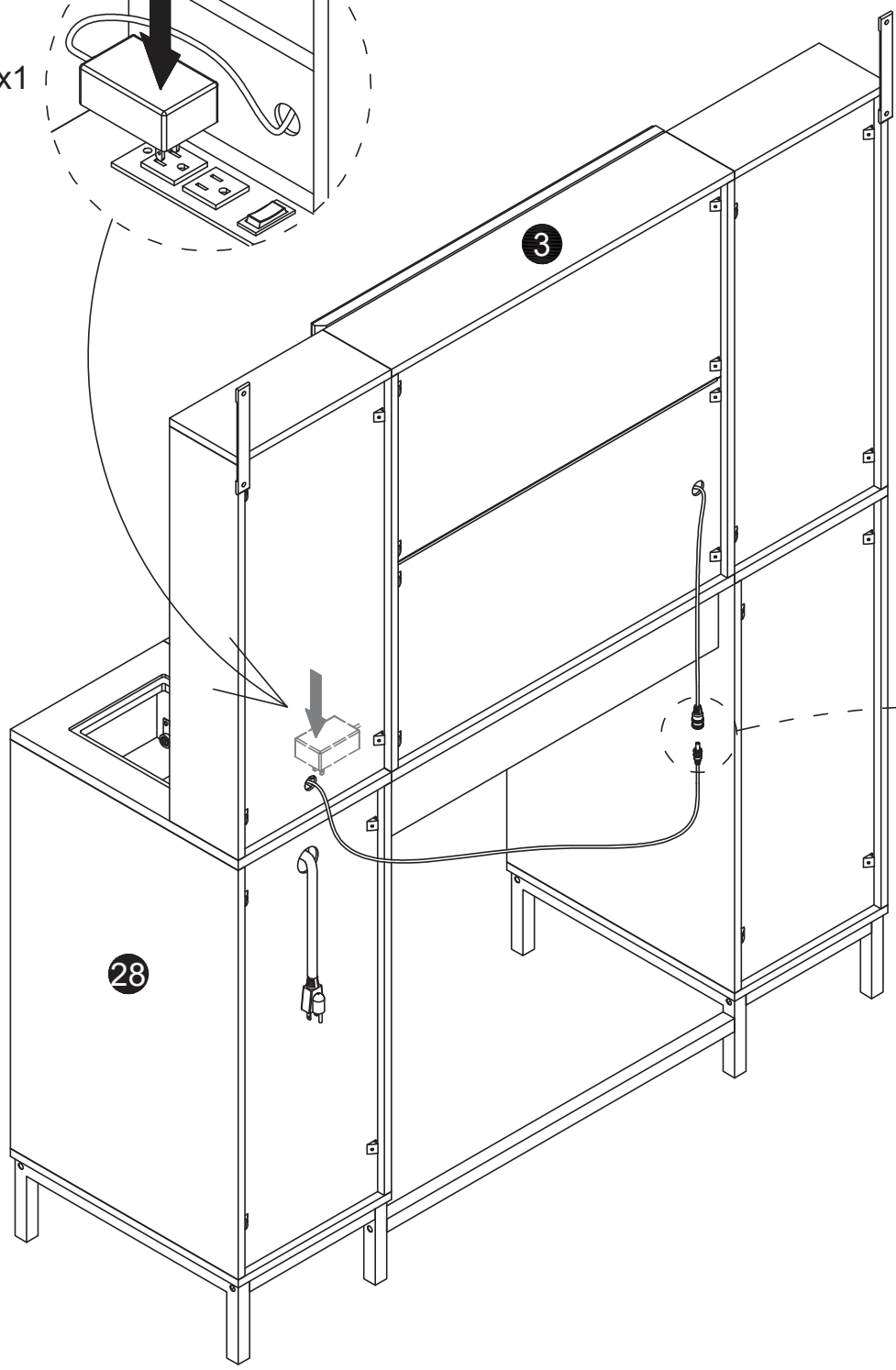
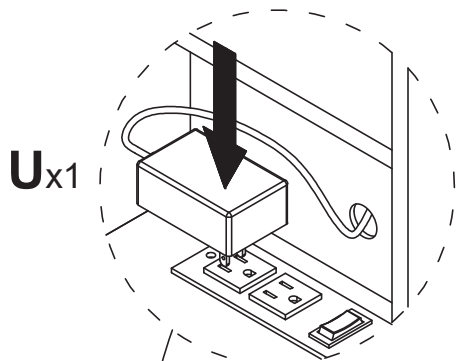
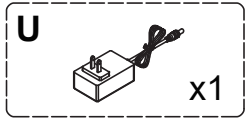
Qx4
Px2

Qx2
BBx1

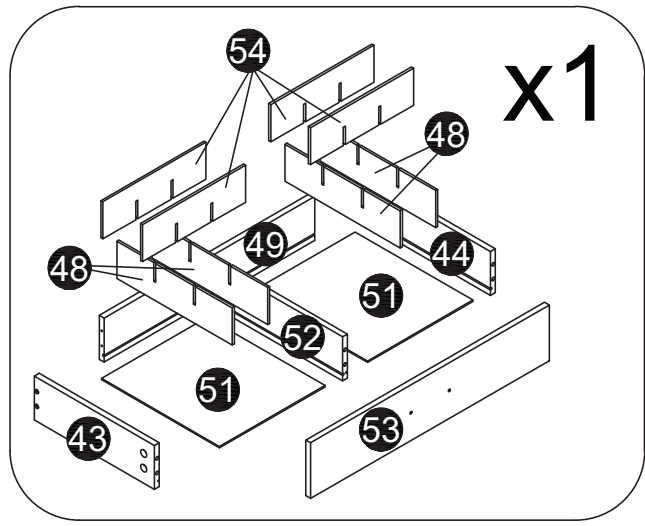
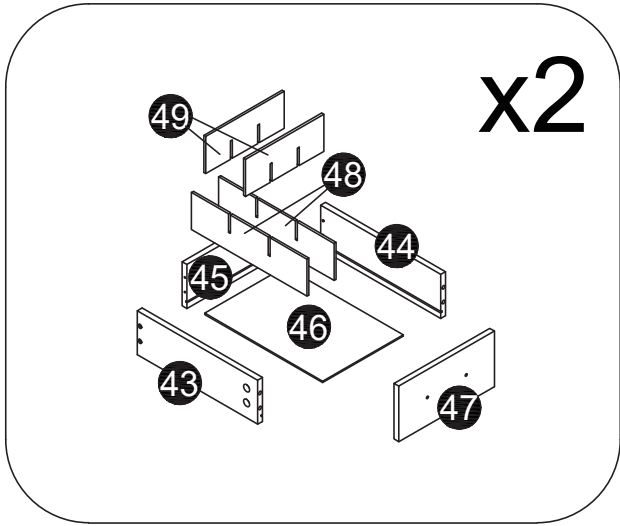
Please pay attention to the installation direction



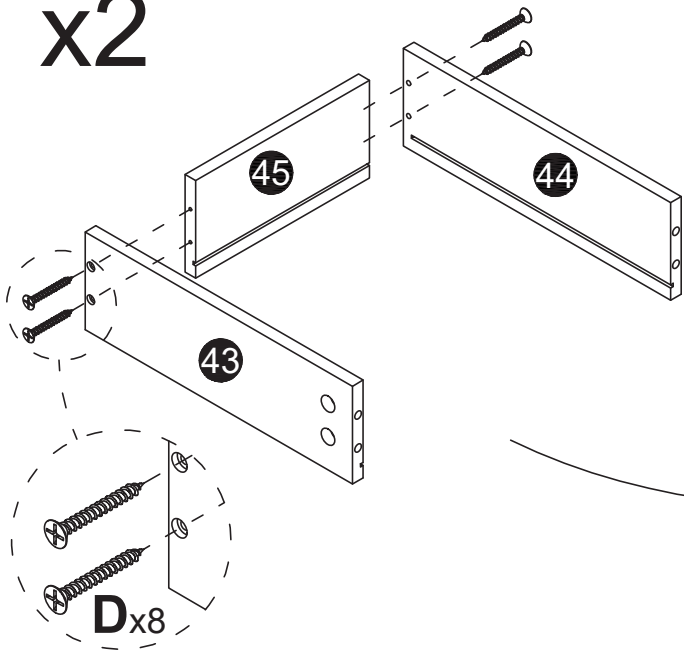


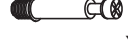


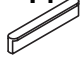



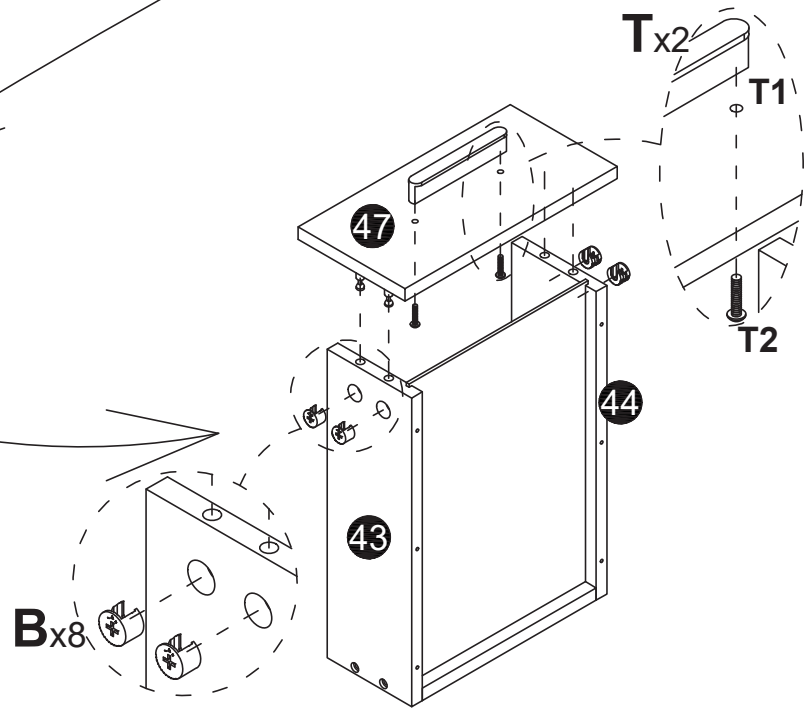
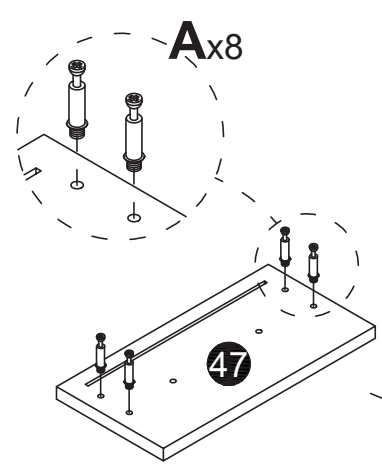
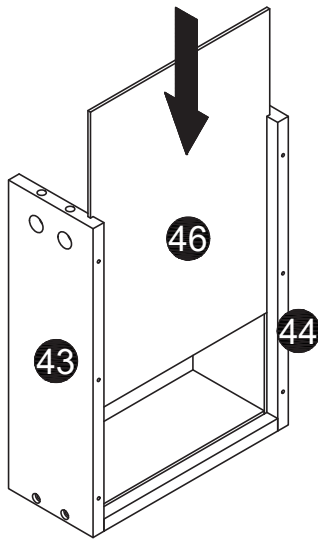
Rest awhile, installing drawers next is a repetitive task
 Drawer installation.

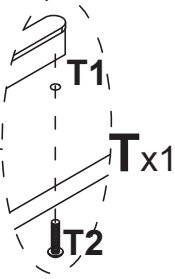
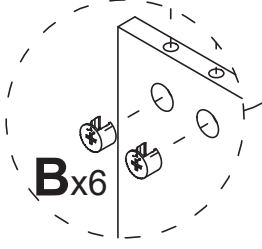
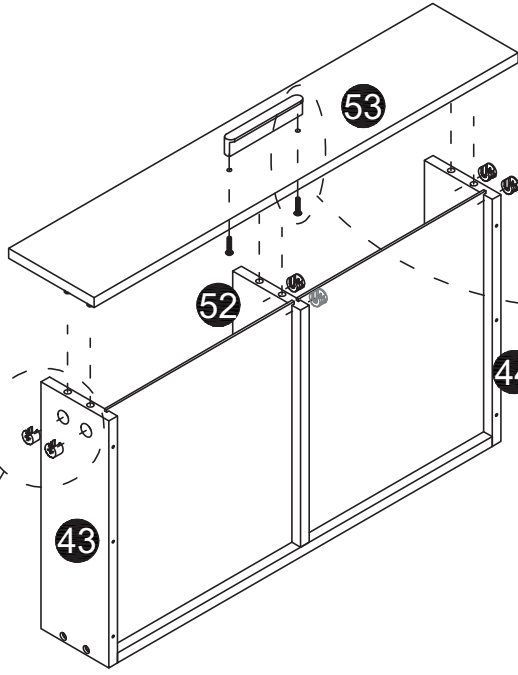
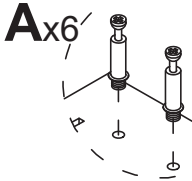
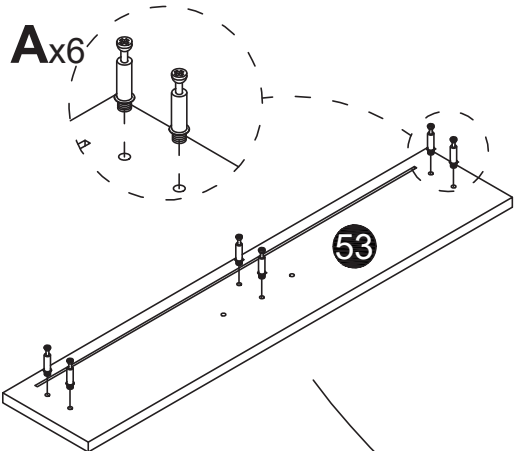
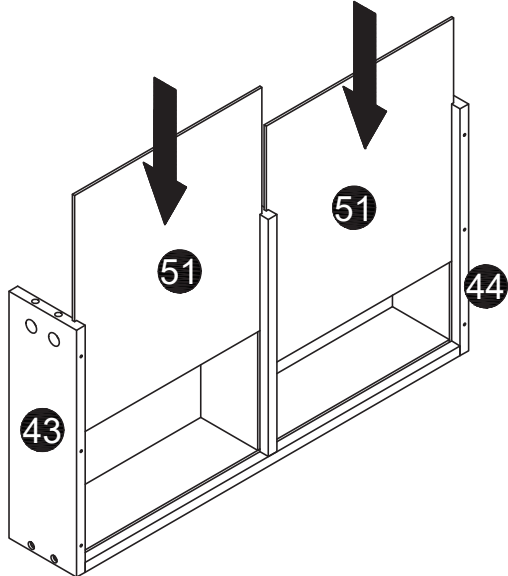
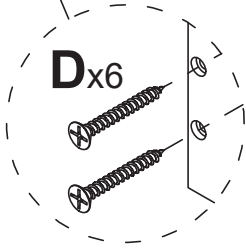
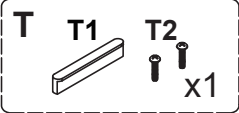
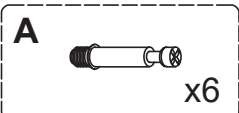
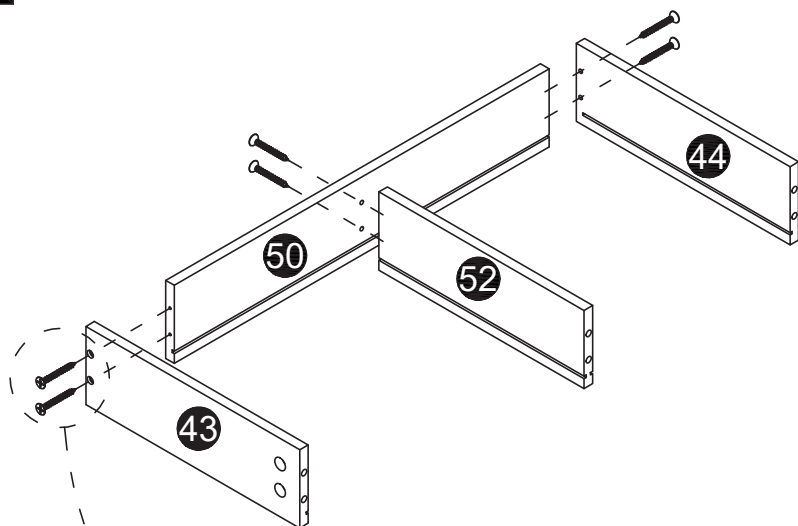


34 x2



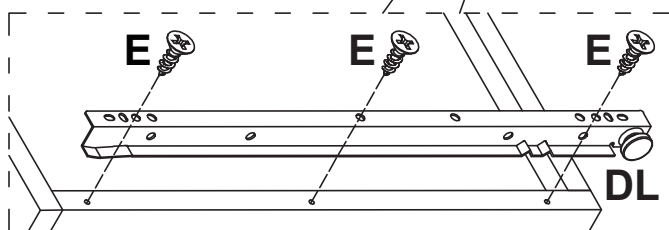
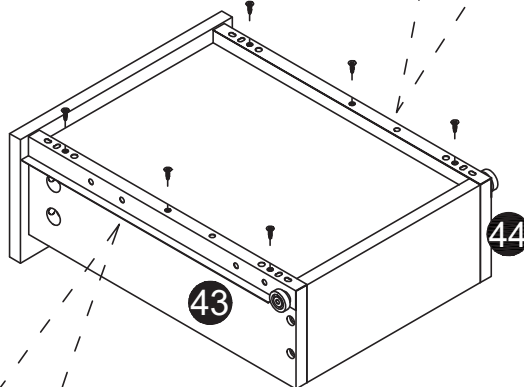
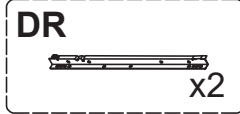
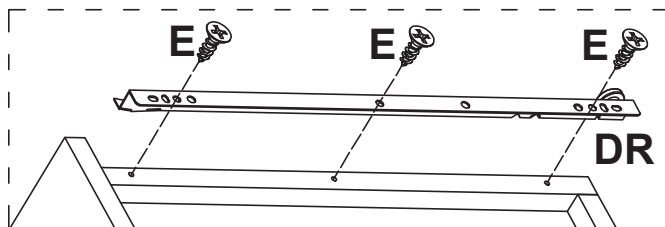
- A**  x8
- B**  x8
- D**  x8
- T**   x2



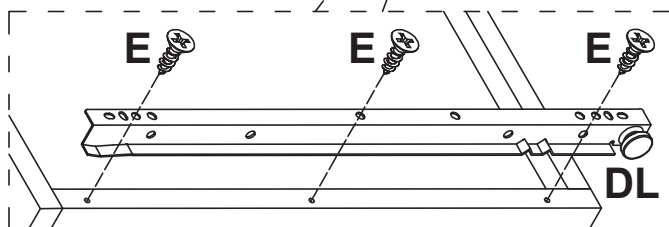
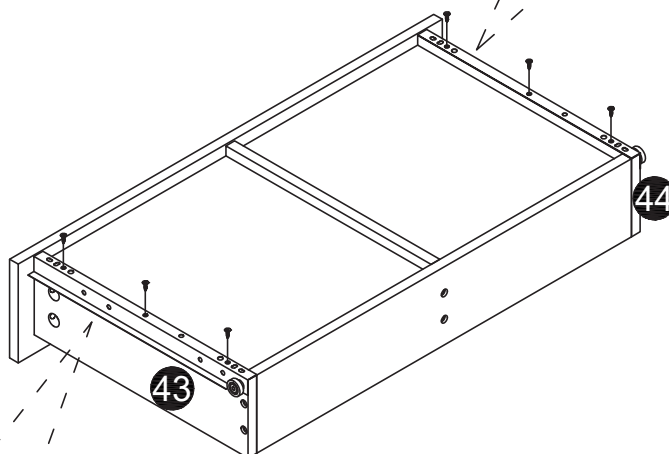
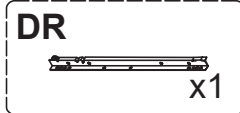
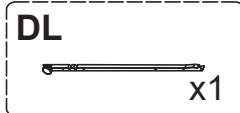
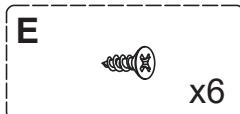
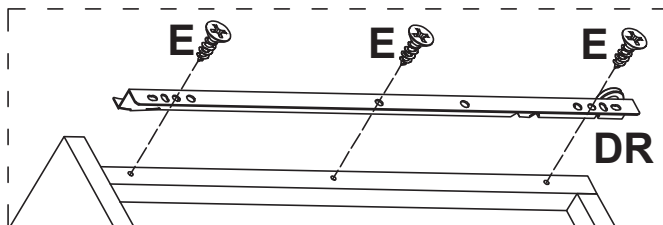


36

x2

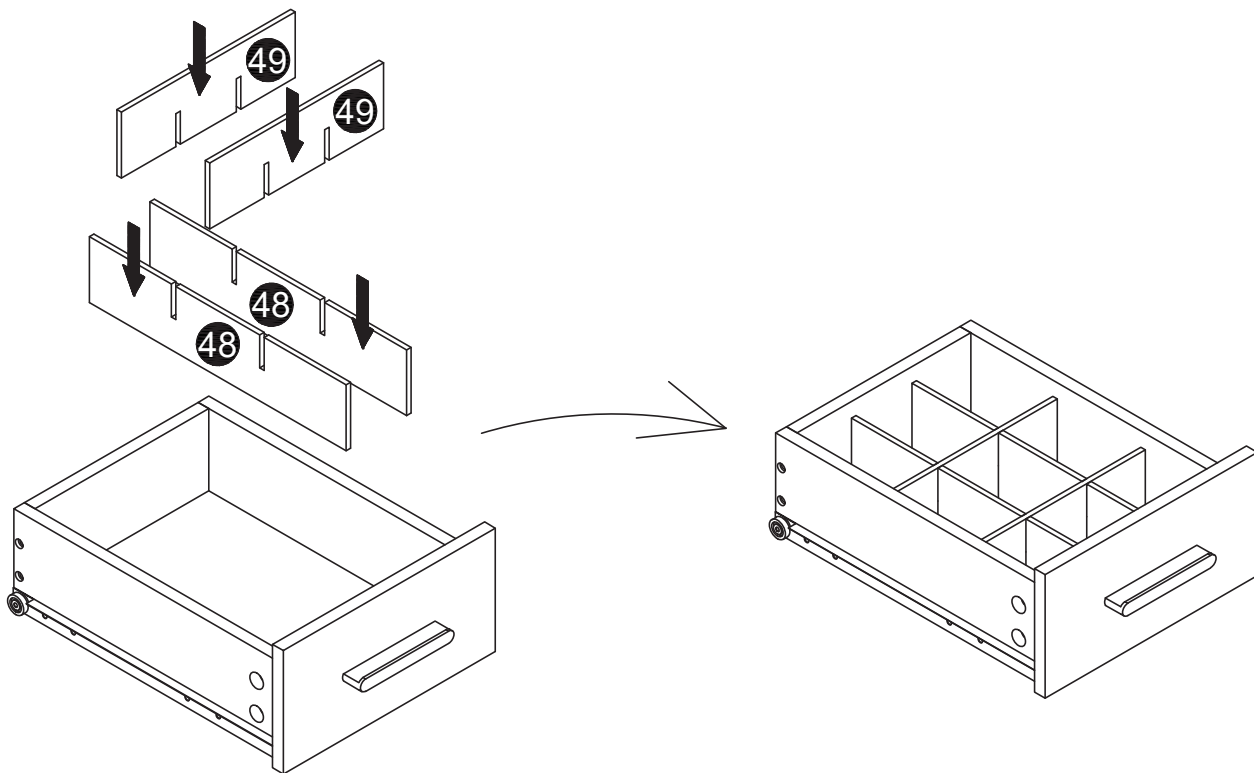


37

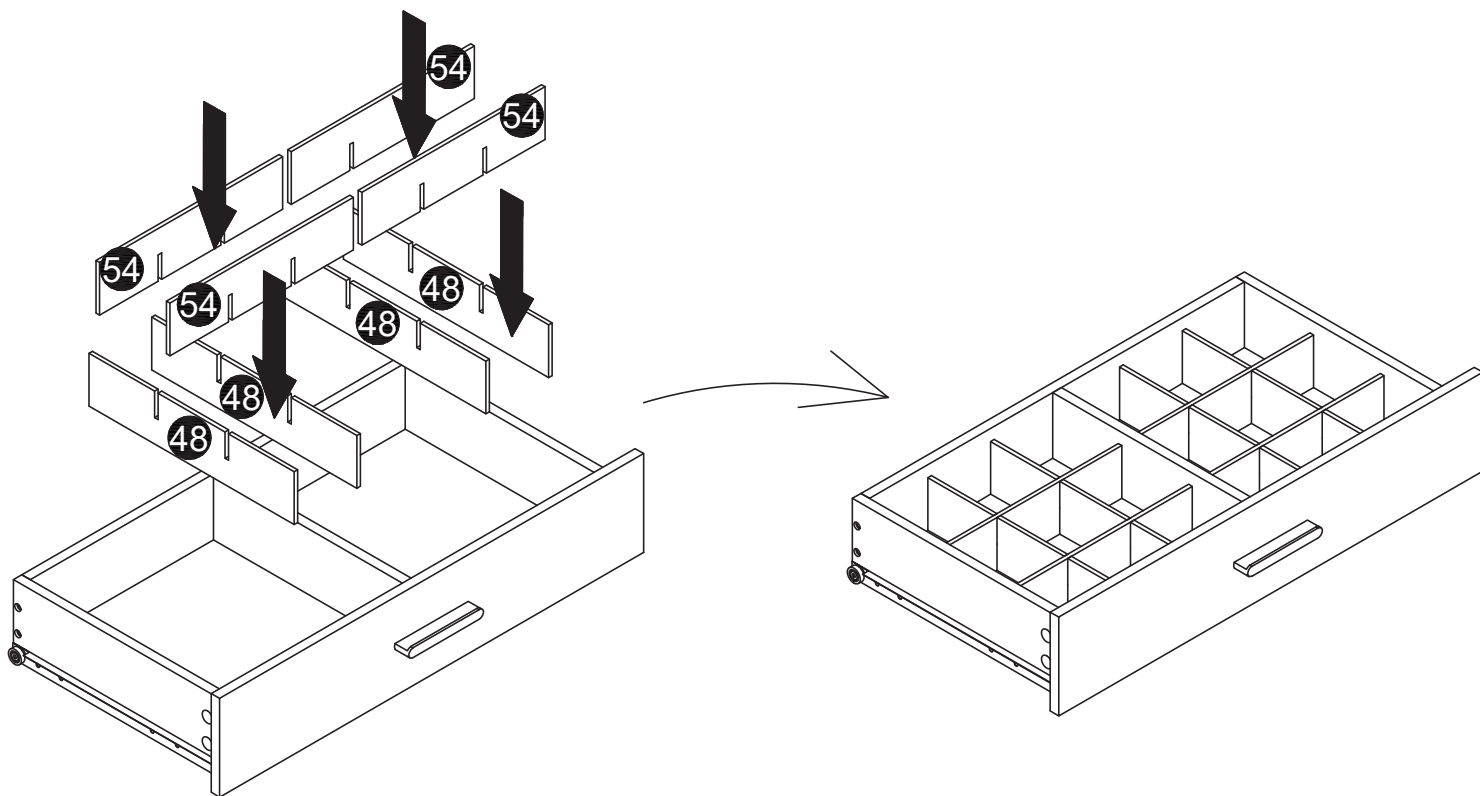


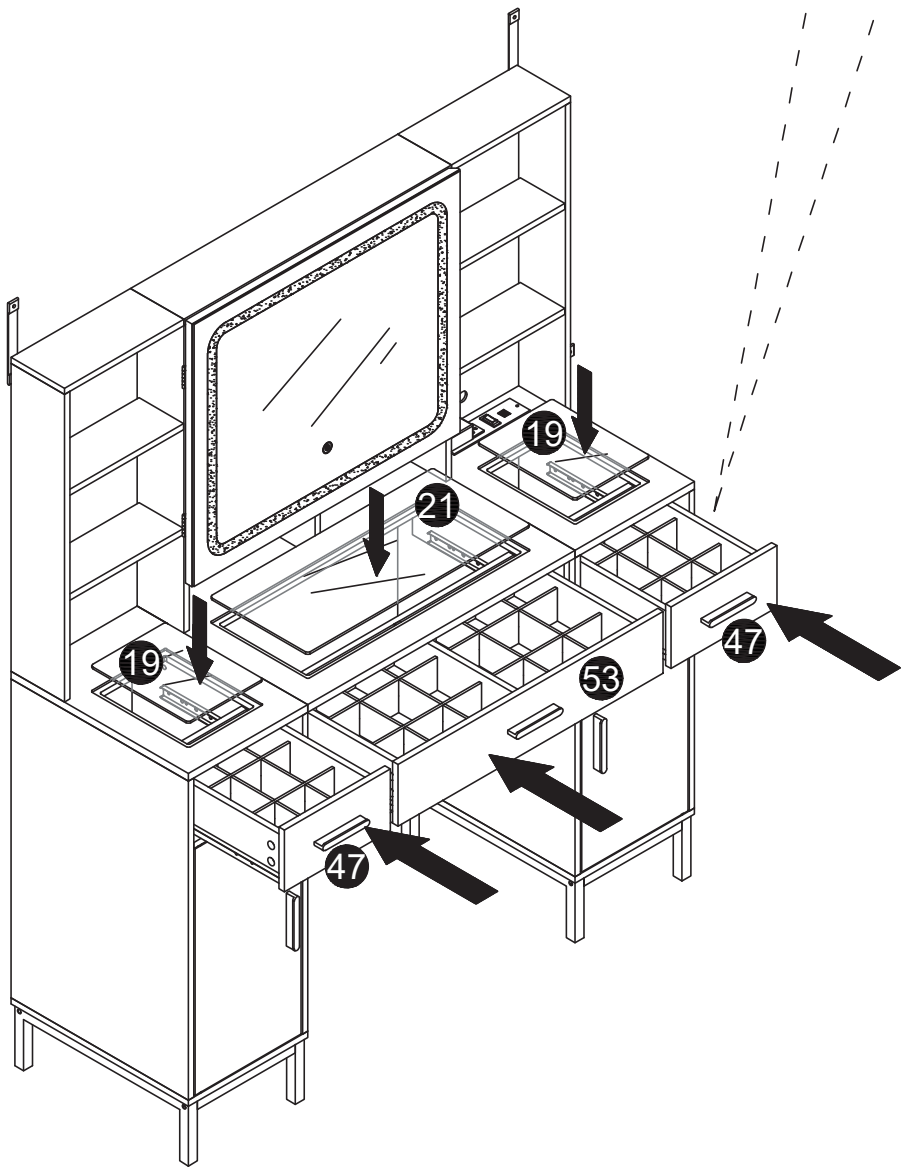
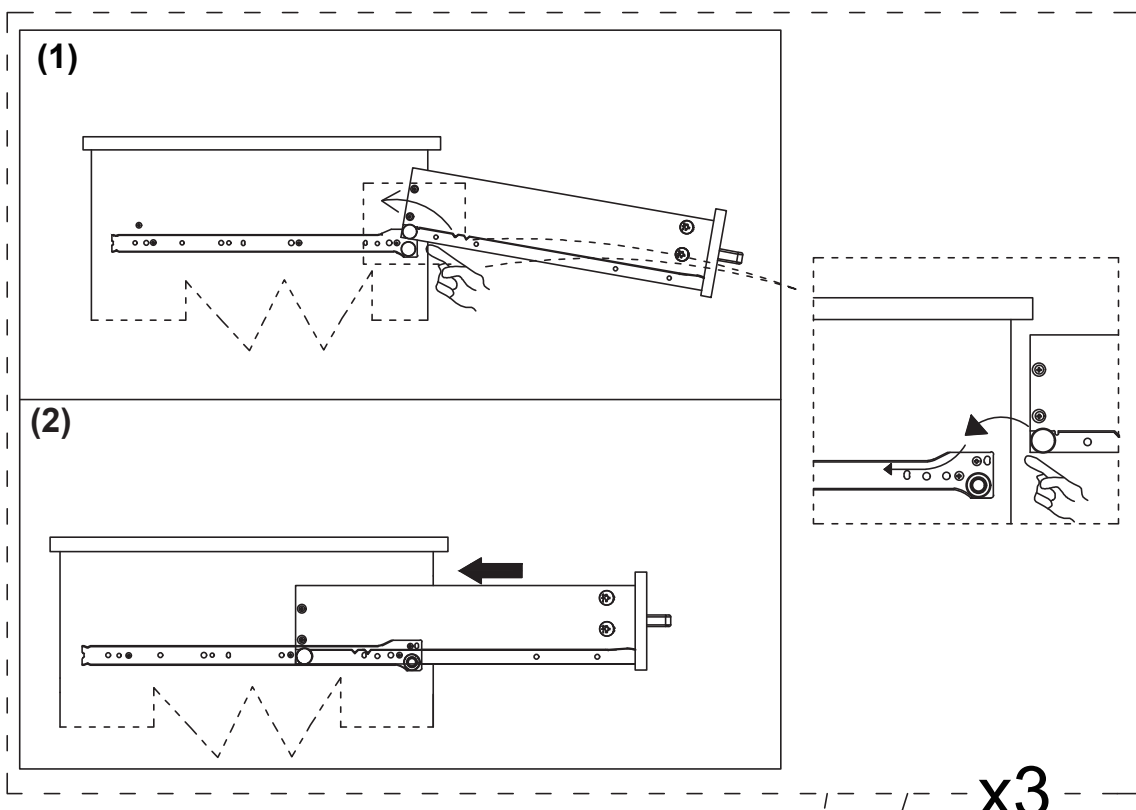
38

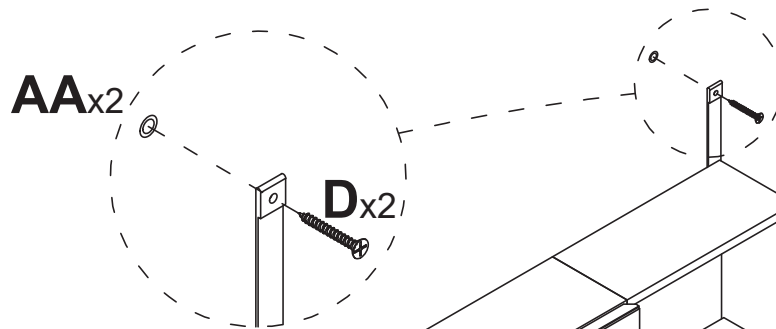
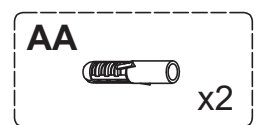
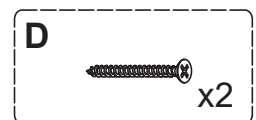
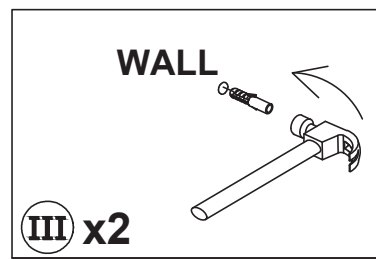
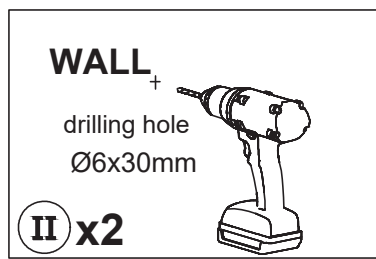
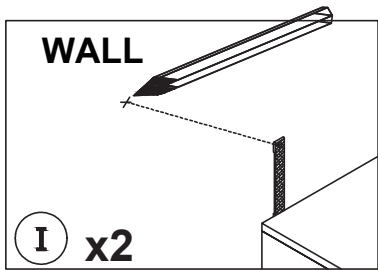
x2



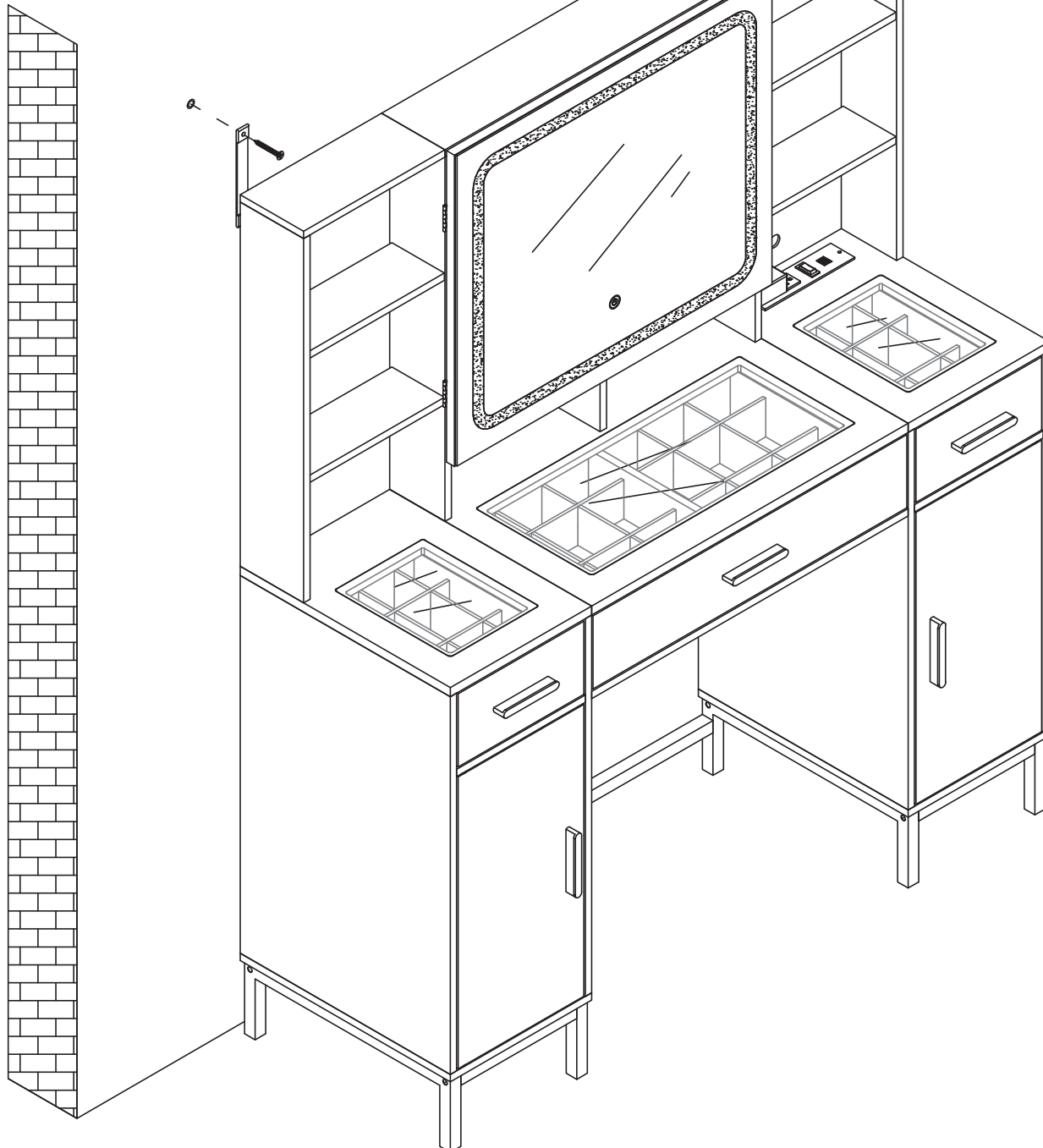
39

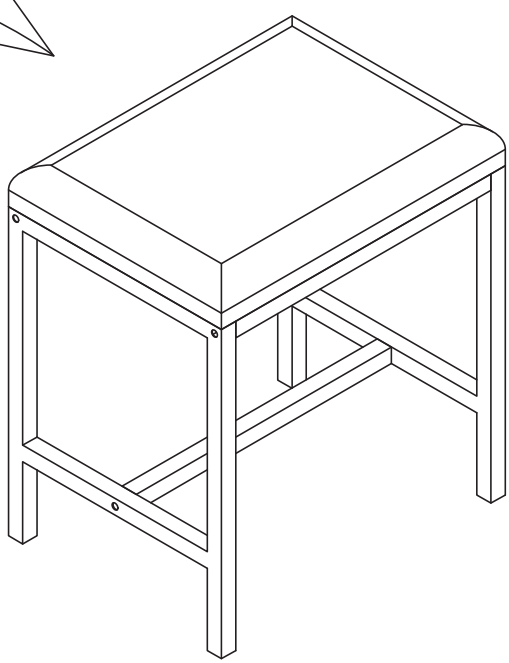
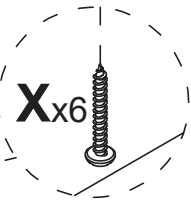
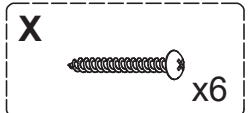
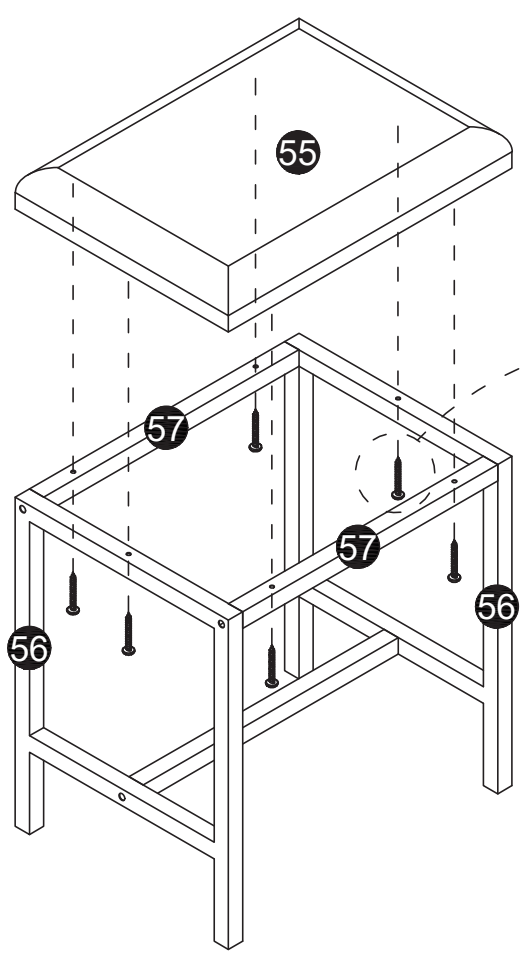
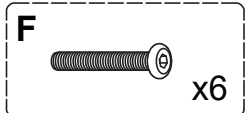
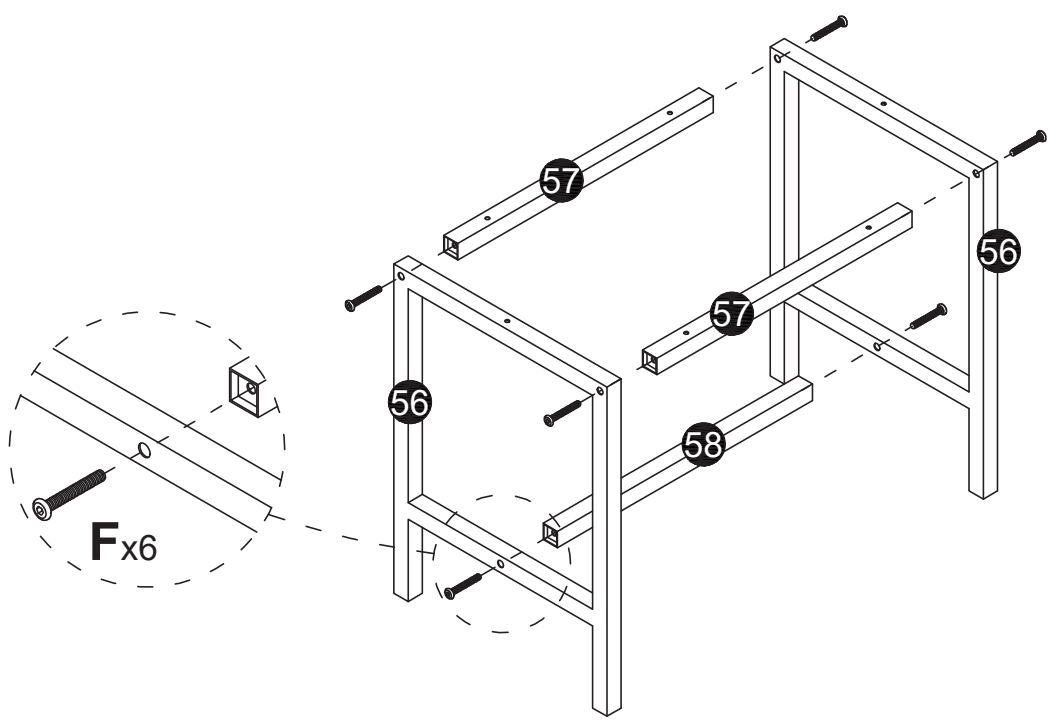




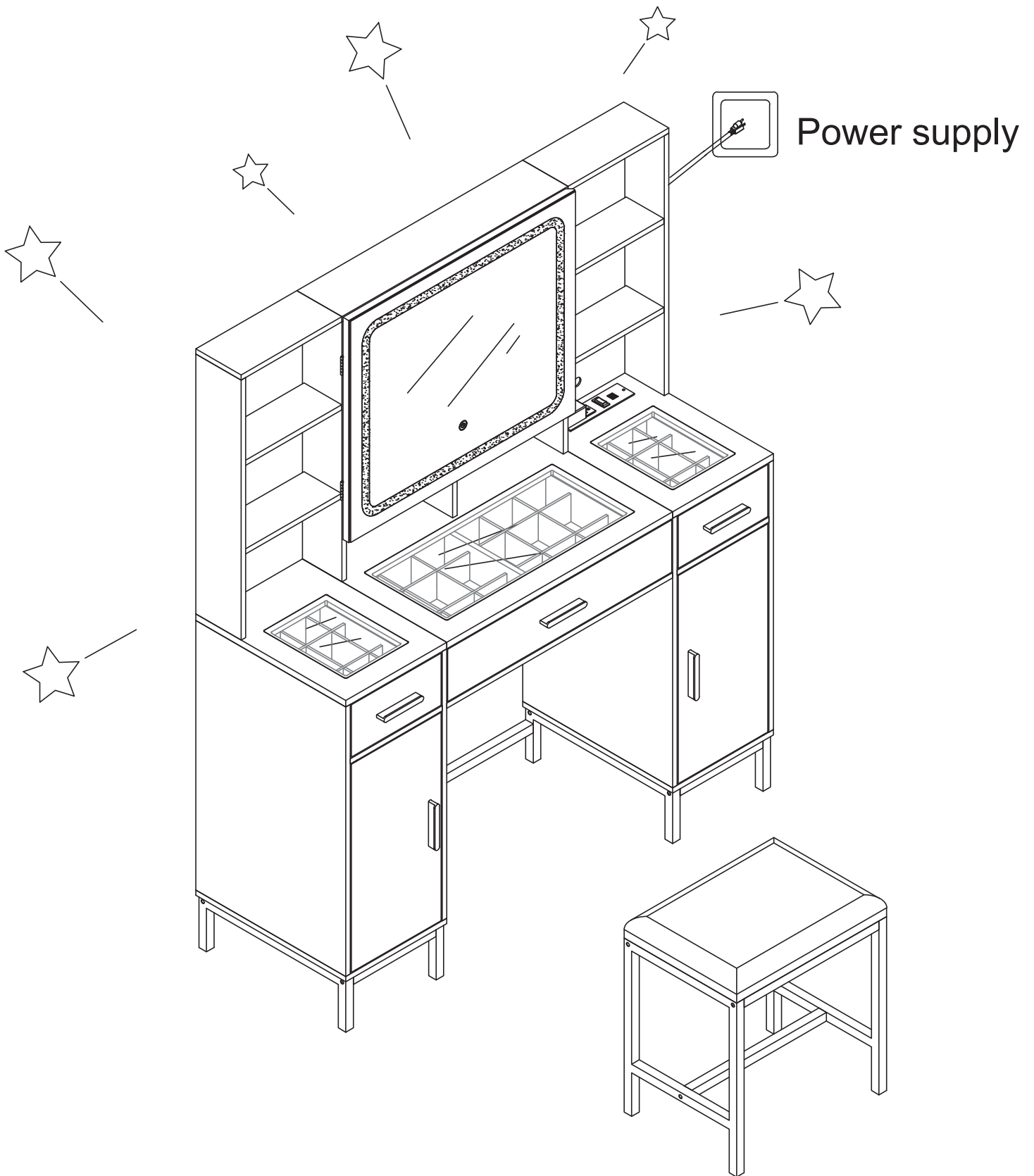


WALL





Complete!



Coordinate your vanity table with our other collections
Pair with our other collections for a complete bedroom set.