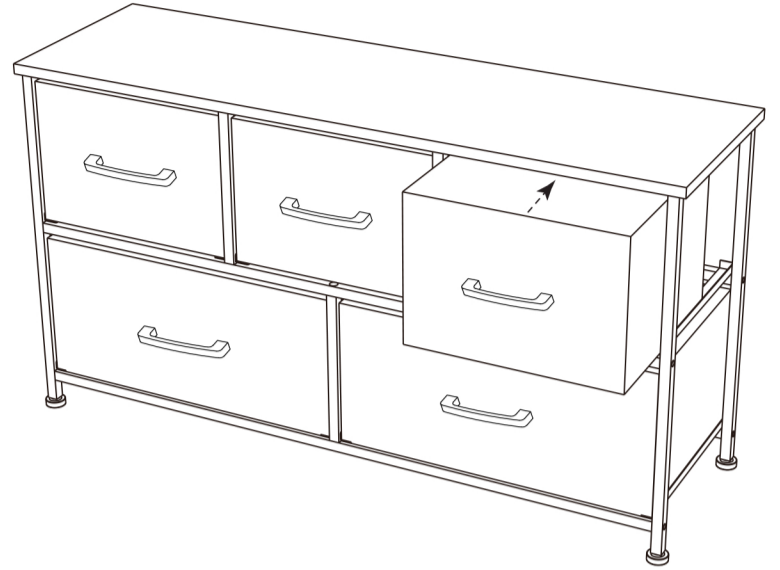
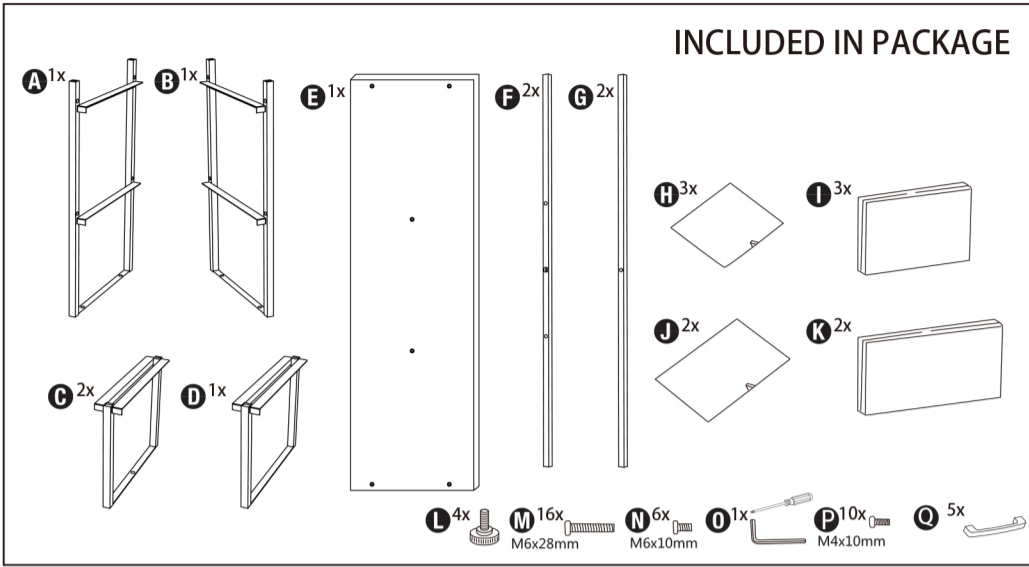


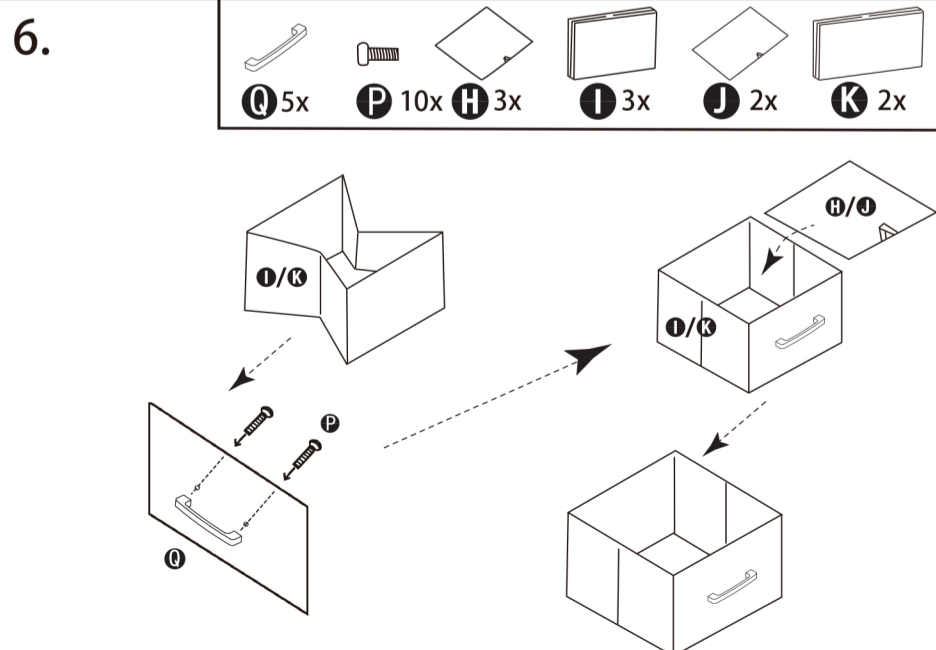
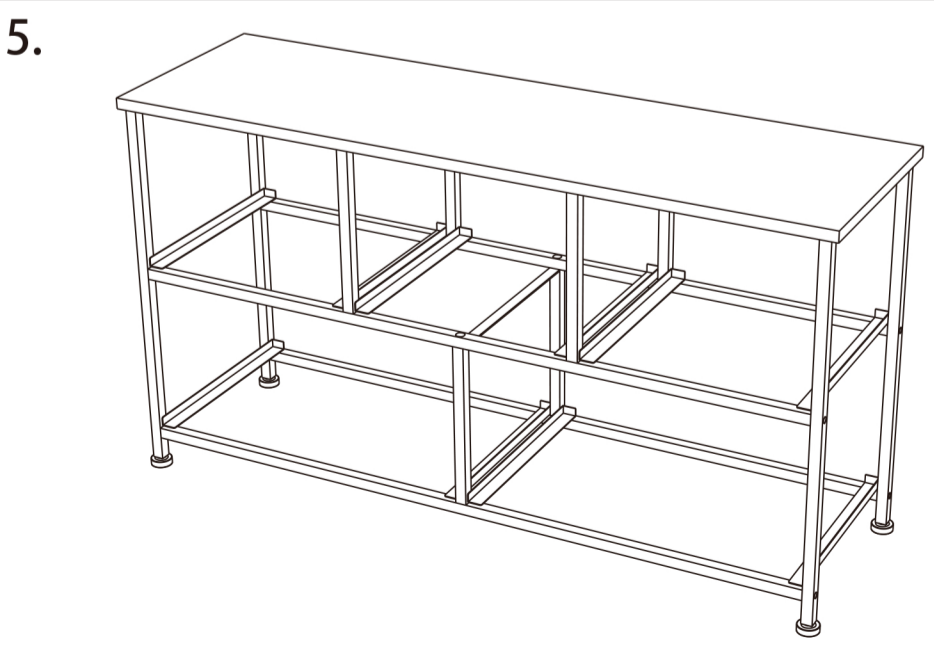
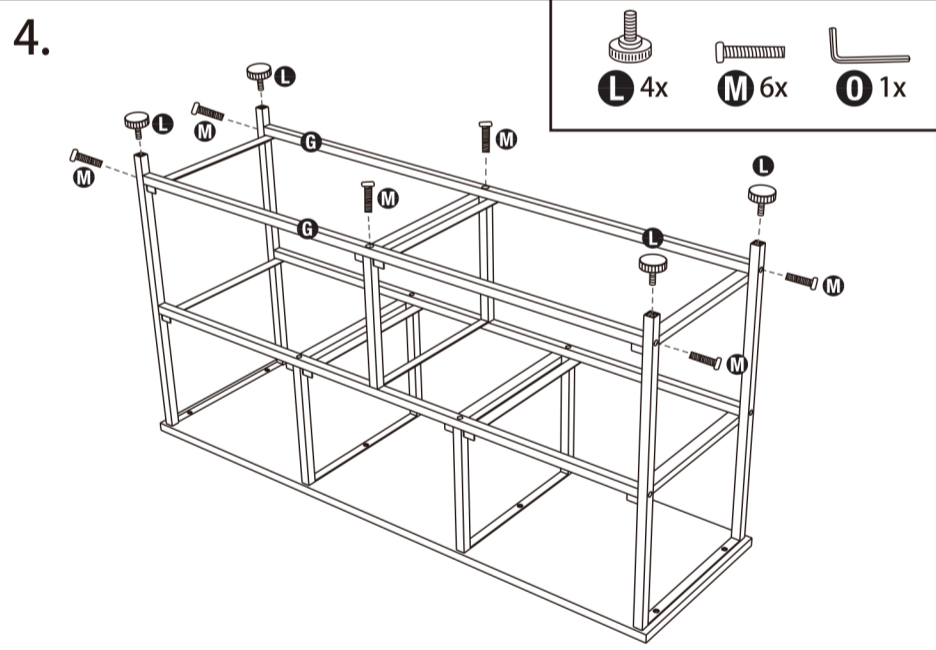
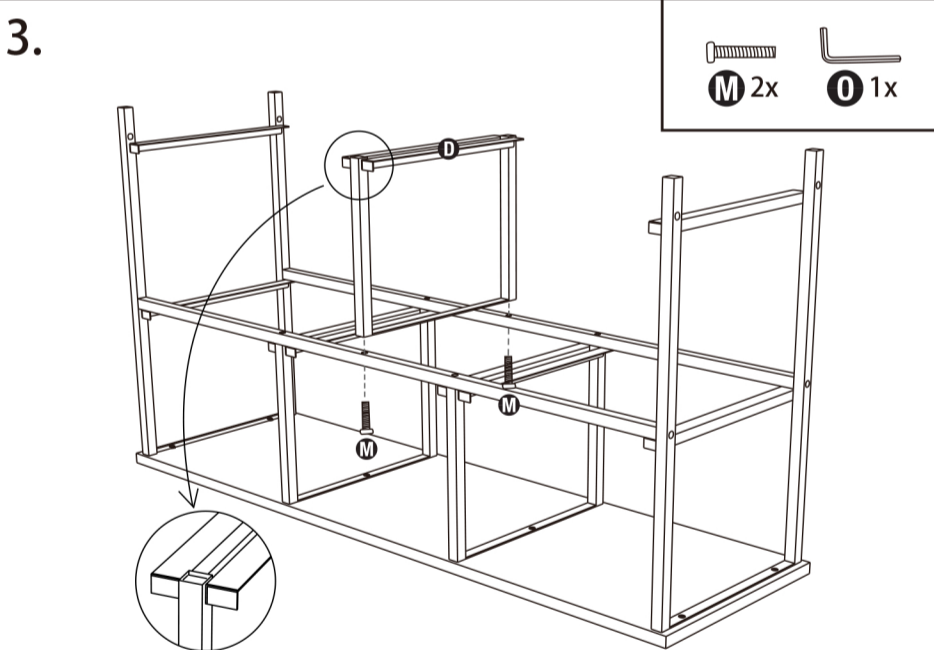
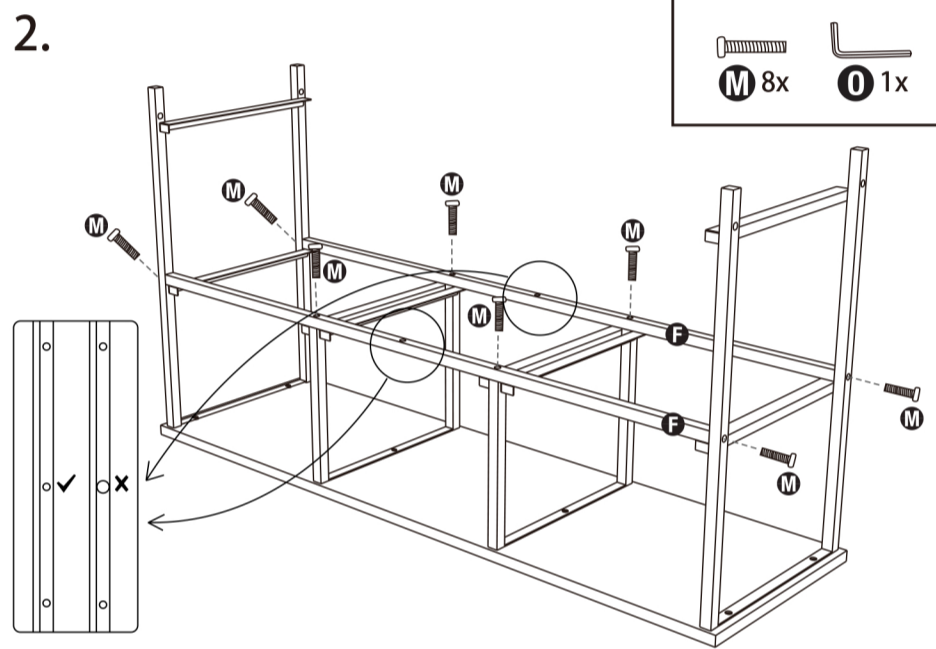
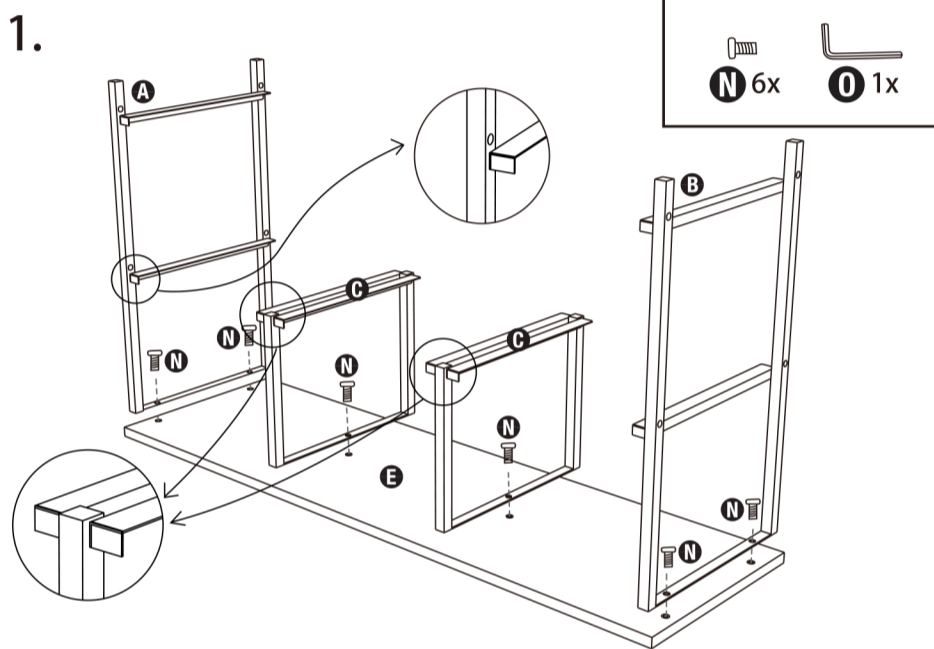
ASSEMBLY INSTRUCTION

- ①. It would be best if you set aside and organize all pieces & corresponding "nuts/ bolts" first.
- ②. Please follow the instruction to assemble the item correctly.
- ③. Could be assembled by one person, but would recommend two.
- ④. Do not tighten the screws until all of them are in right positions.

SAFETY INFORMATION
The accessory bag contains some small accessories, which should be kept away from children.



Attention: Do not tighten the screws until you have completed setup assembly.



if the steel frame is out of shape, you may adjust it by your hand