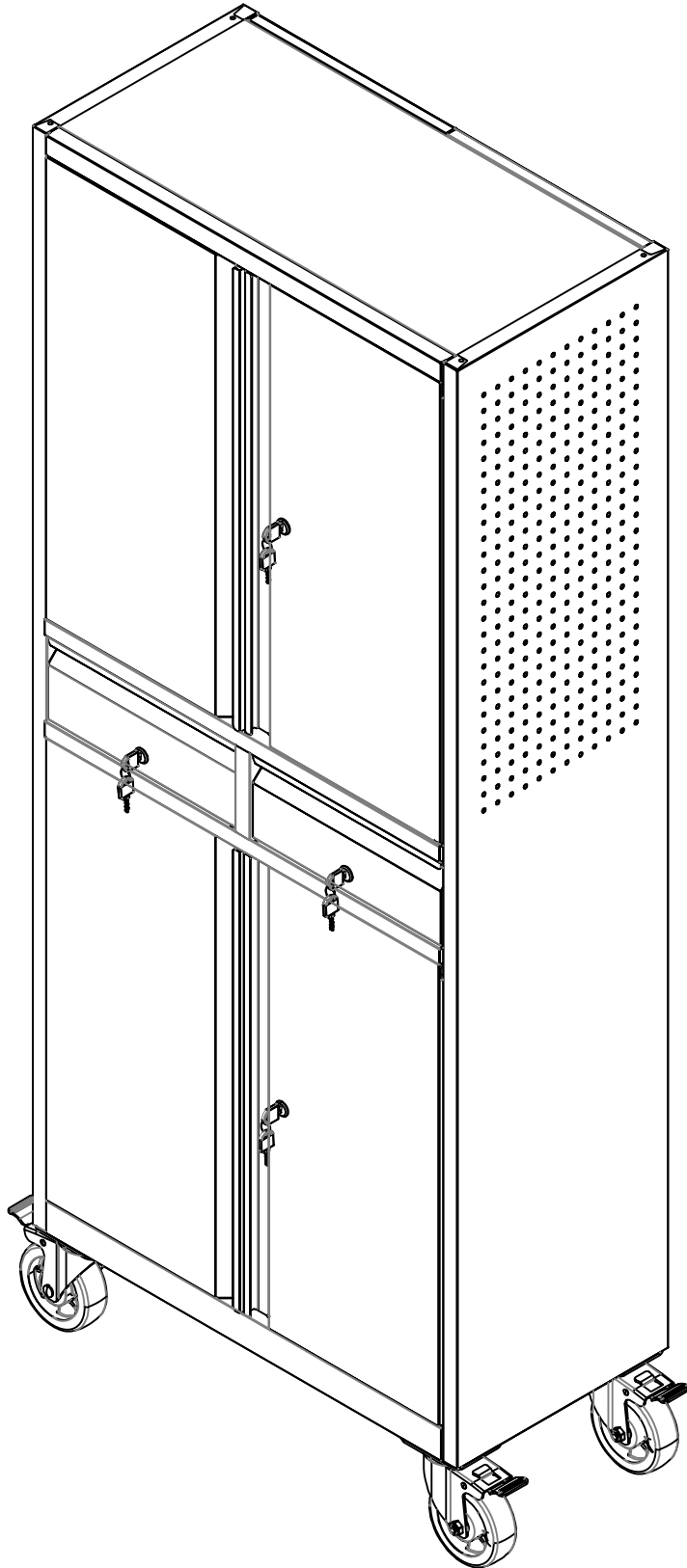



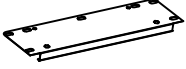



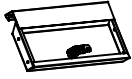





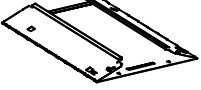




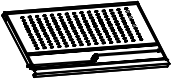



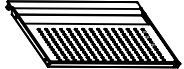









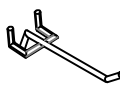
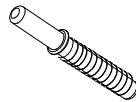
Assembly Instructions



Accessories

Name		Part	Qty.	Spare	Name		Part	Qty.	Spare
A	Left Back Panel		1		K	Left Door		1	
B	Right Back Panel		1		P	Wheel Fixing Structure		2	
C	Left Panel		1		Q	Middle Panel		1	
D	Right Panel		1		R	Drawer Front		2	
E	Kick Plate		1		X	Drawer Front Panel		2	
F	Bottom Panel		2		Y	Drawer Back Panel		2	
G	Top Rail		1		Z	Drawer Side And Bottom		2	
H	Top Panel		1		GG/g	Left Extension Rail		2	
I	Shelf		2		HH/h	Right Extension Rail		2	
JJ	Upper Right Door		1		L	1-3/16" Wall		2	
J	Right Door		1		M	Wall Anchor		2	
KK	Upper Left Door		1		N	13/32" Screw		33	2

Accessories

Name		Part	Qty.	Spare	Name		Part	Qty.	Spare
O	Shelf Clasp		8		S	Door Pivot		4	
V	6*15 Flat Head Bolt		18	2	T	Shim		8	
W	Wheel		4		U	Touch The Doormat		8	
a	Hook		8			Spring Shaft		2	

Already pre-installed on the doors

 **CAUTION**

An assistant is required.

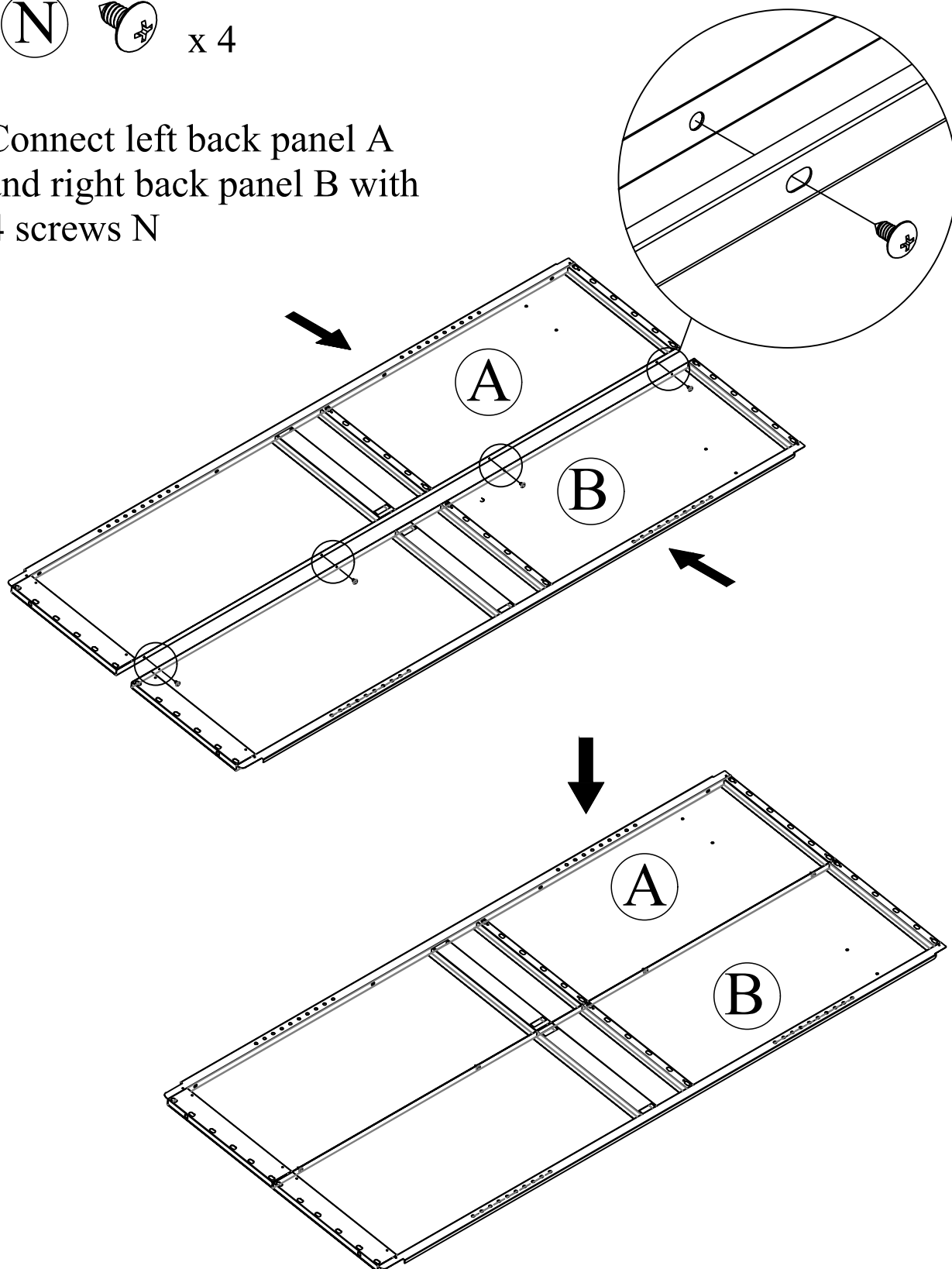
If there is any problem, please feel free to contact our customer service team and we are always here to assist with you!

If there is any slight dent or damage, you can try to fix it by pliers or hammers or contact us.

Step 1

Ⓝ  x 4

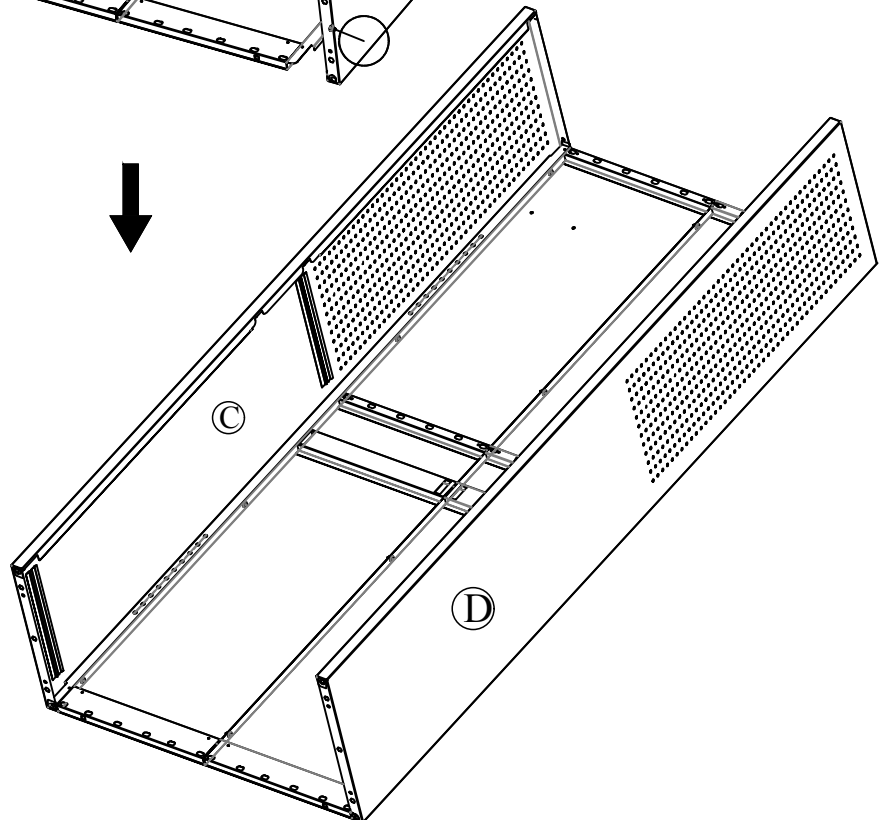
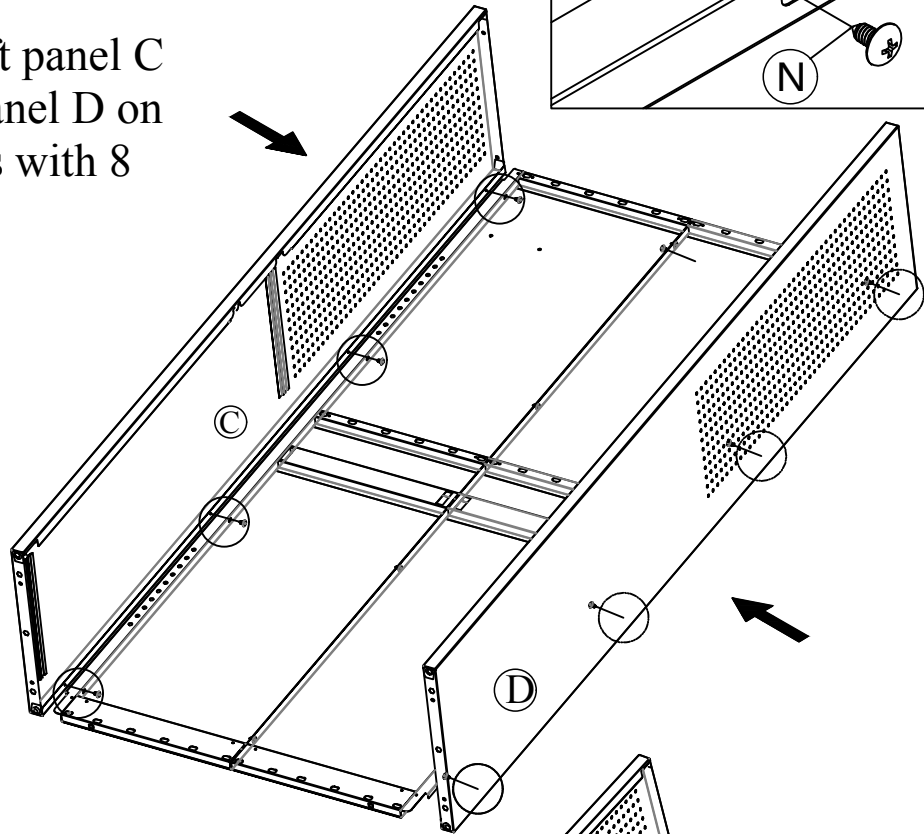
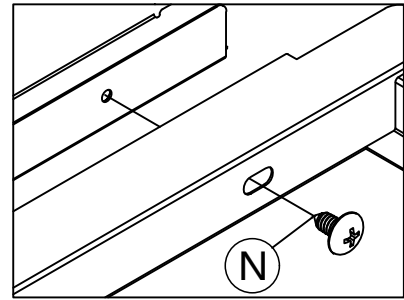
Connect left back panel A
and right back panel B with
4 screws N



Step 2

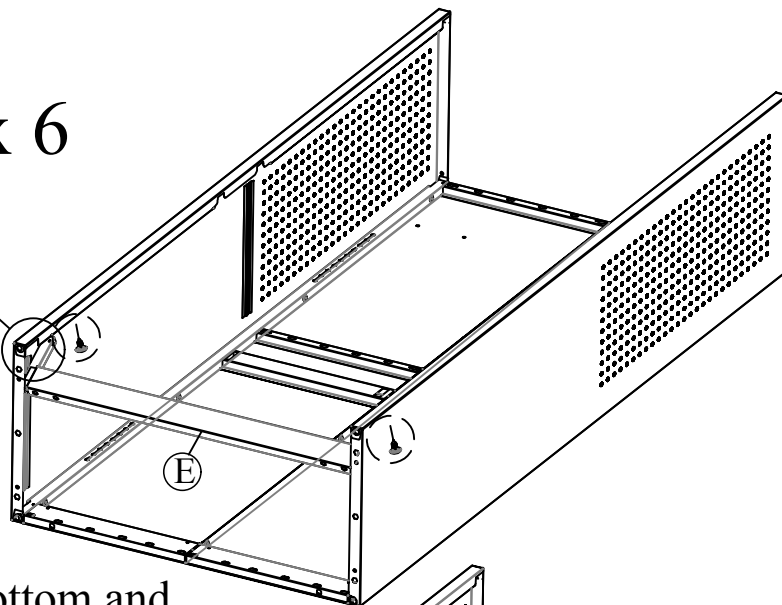
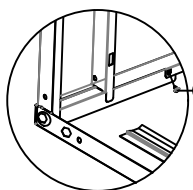
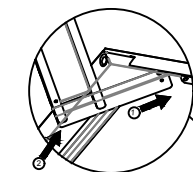
Ⓝ  x 8

Connect left panel C
and right panel D on
back panels with 8
screws N

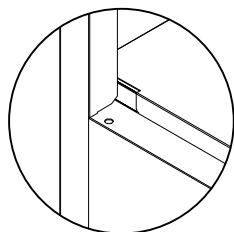
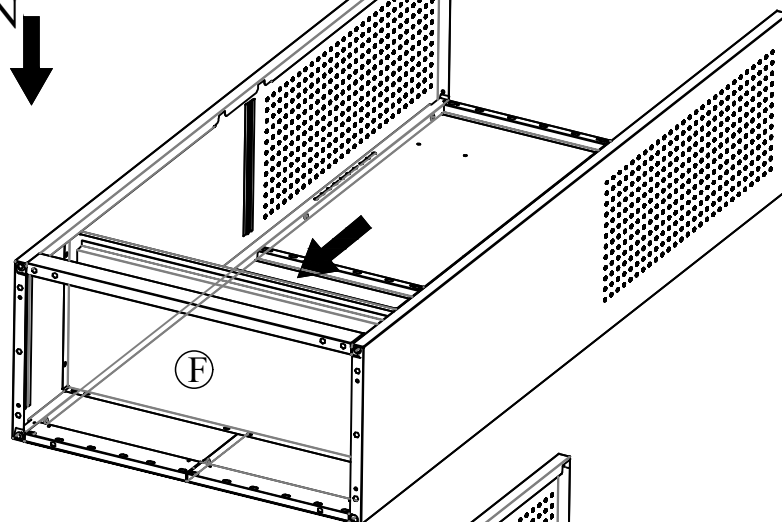


Step 3

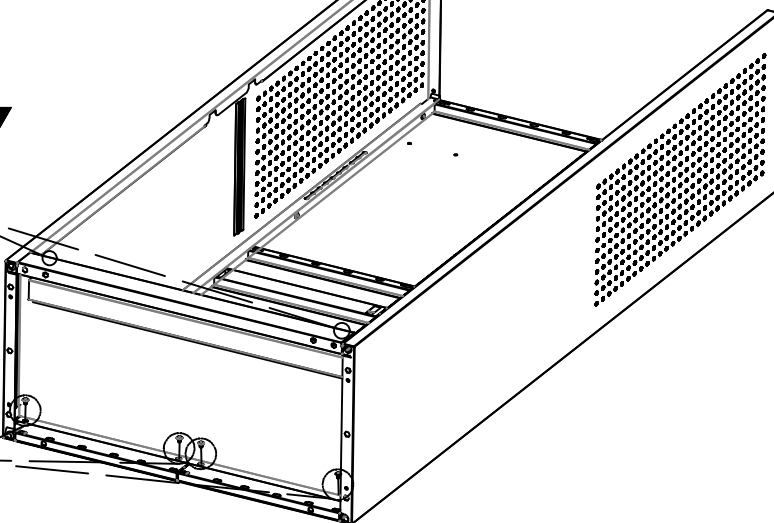
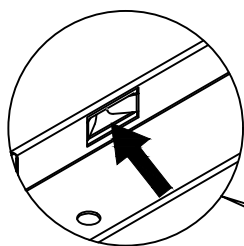
N  x 6



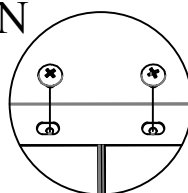
Insert E into the bottom and
fix it with 2 screws N



Install bottom panel
F (E and F should be
connected by the
small clasps in front)



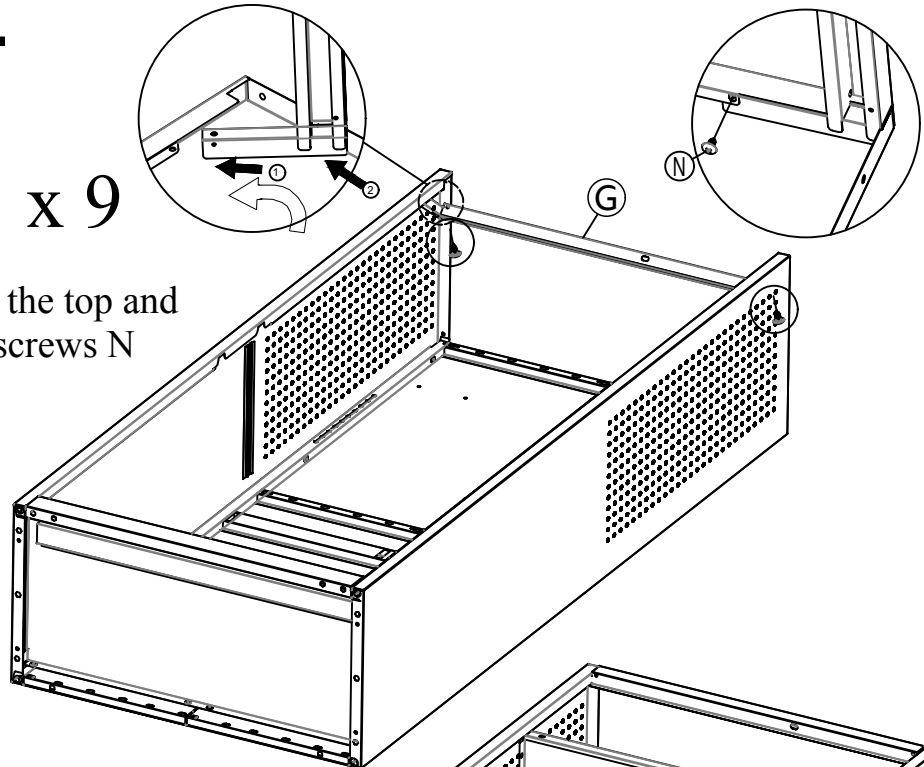
Fasten them with
4 screws N



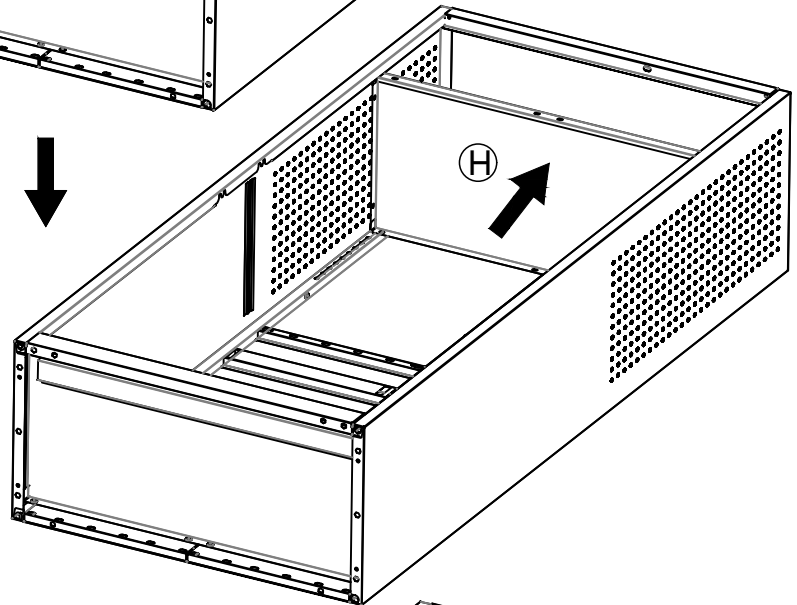
Step 4

Ⓝ x 9

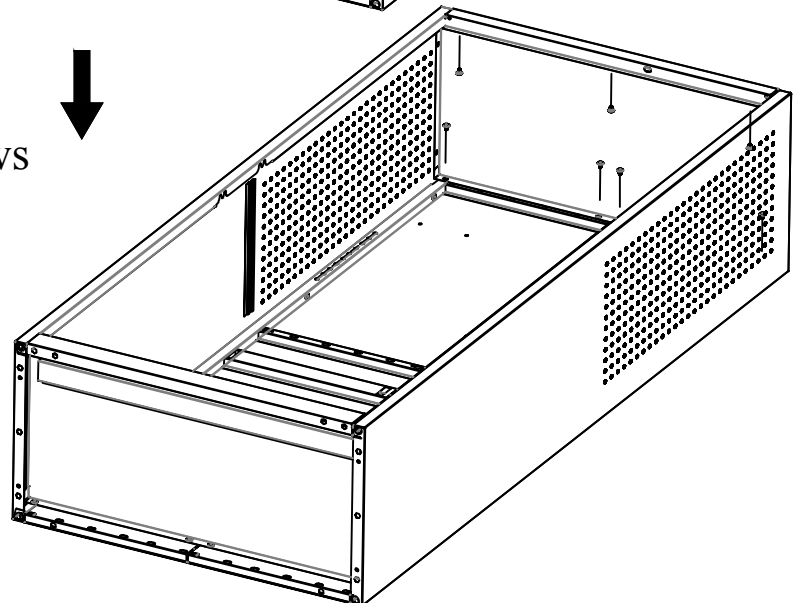
Insert G into the top and
fix it with 2 screws N



Install top panel H



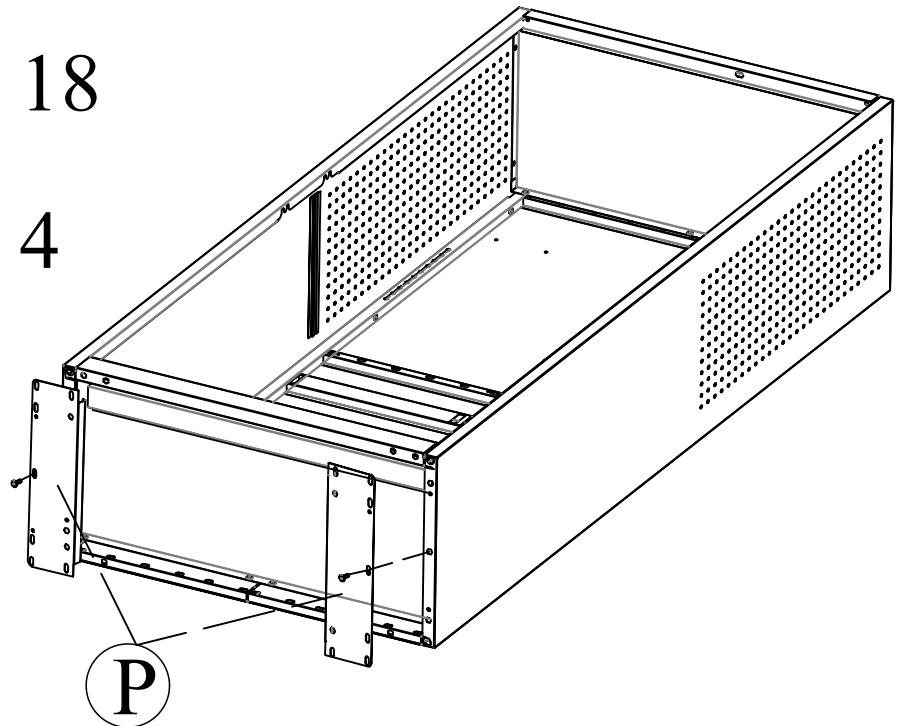
Fasten them with 7
screws N (The screws
can be fixed easily
when you put a side
panel on the floor)



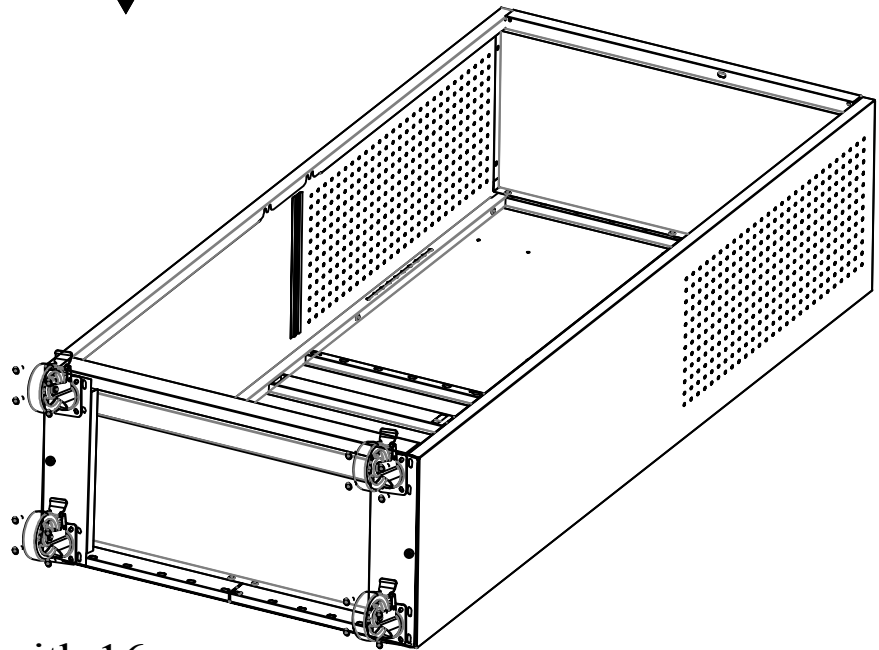
Step 5

Ⓥ  x 18

Ⓦ  x 4



Install 2 P on the
bottom with 2 screws V ↓

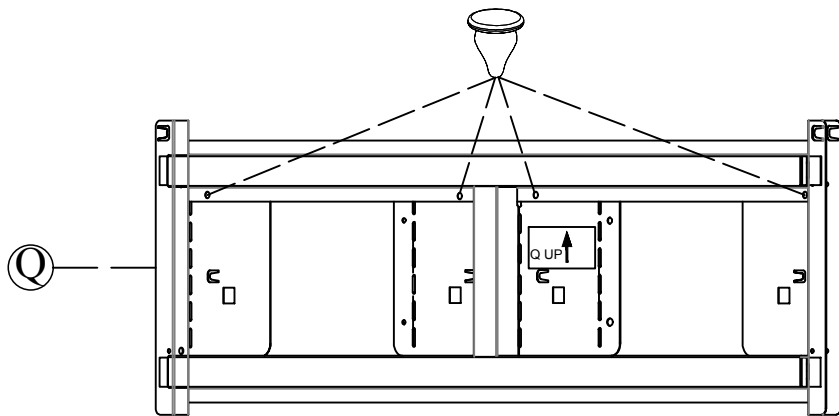


Install 4 wheels with 16
screws V

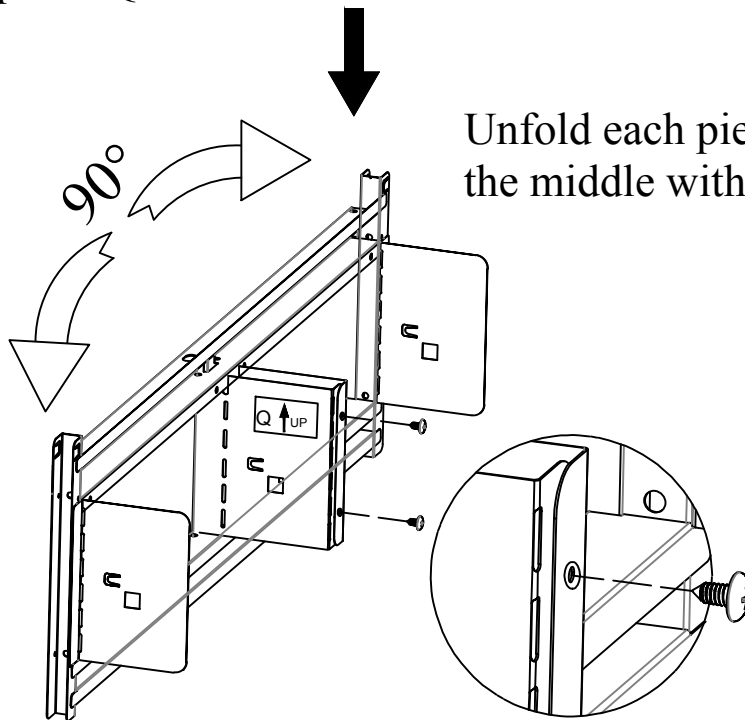
Step 6

Ⓝ x 2

Ⓤ x 4



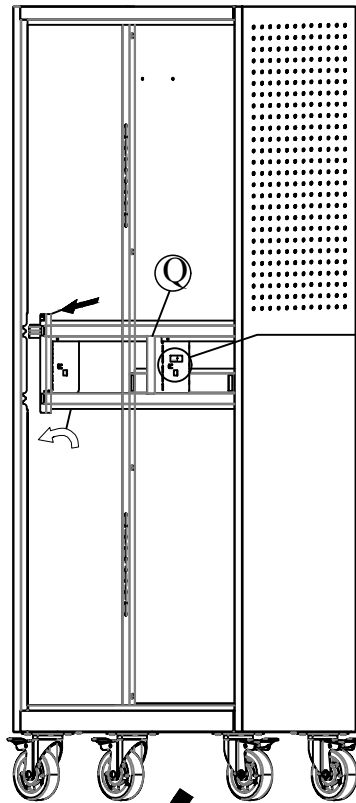
Install 4 U on the middle panel Q



Step 7

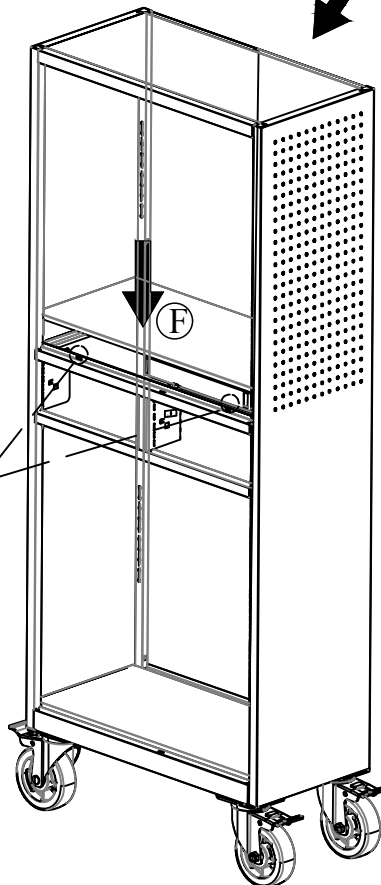
Ⓝ x 4

Insert Q into the middle of the cabinet

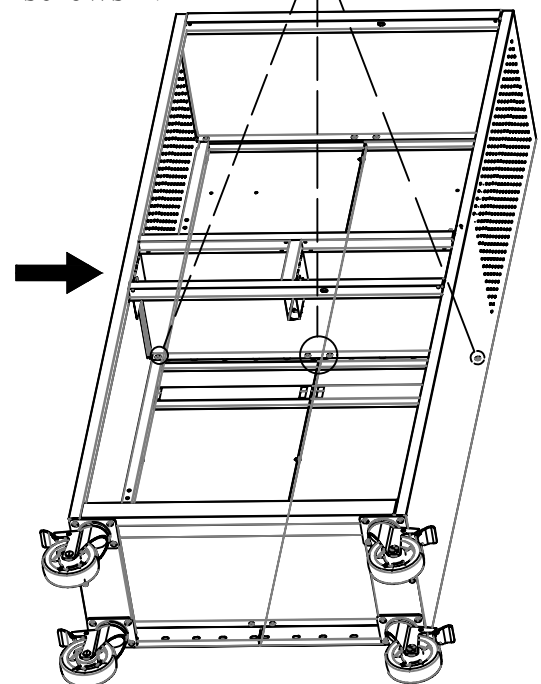
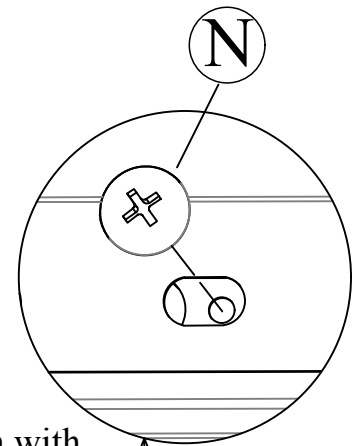


Pay attention to the direction

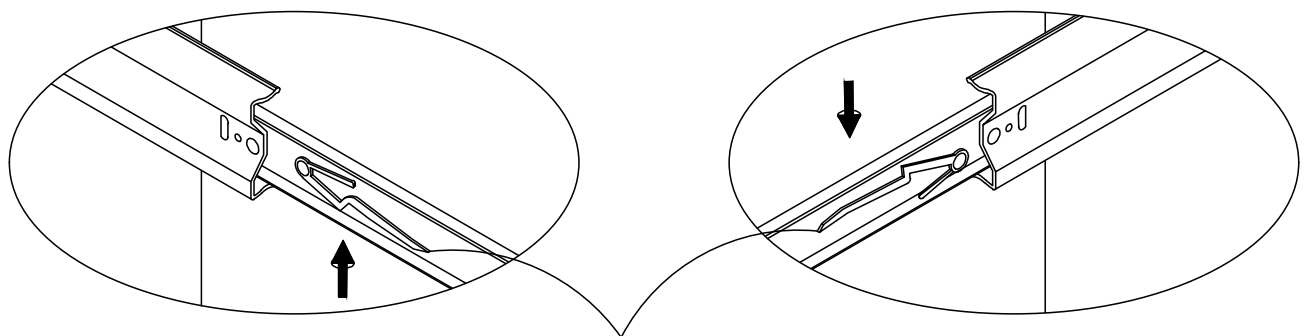
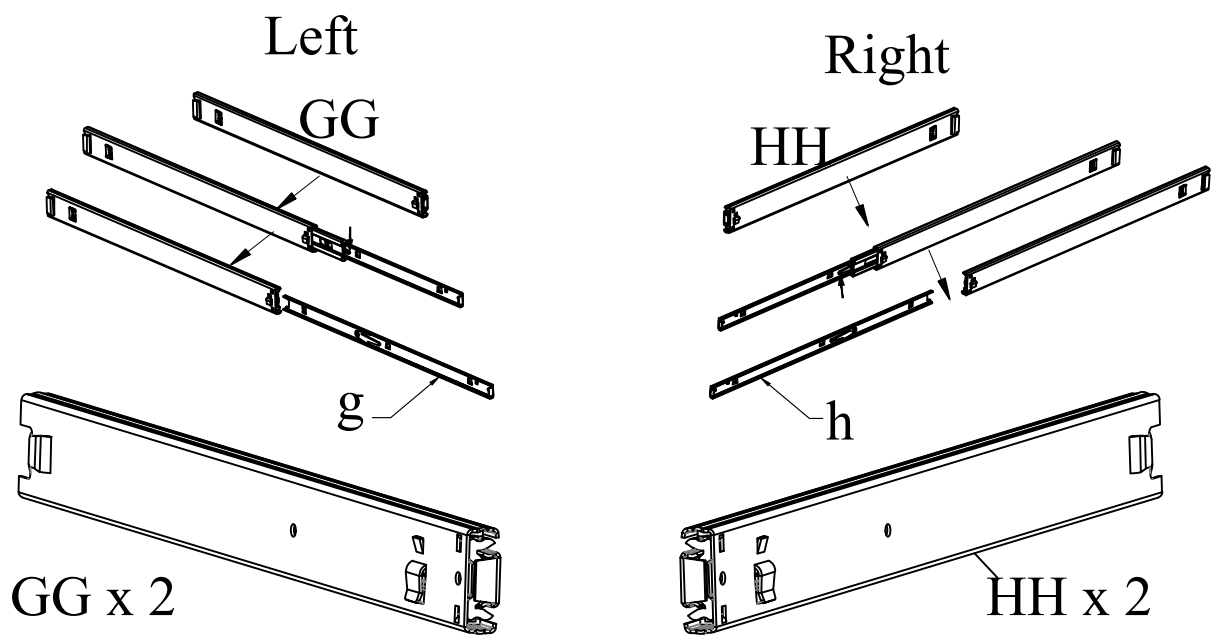
Put F on Q and they should be connected by the small clasps in front



Fasten them with 4 screws N



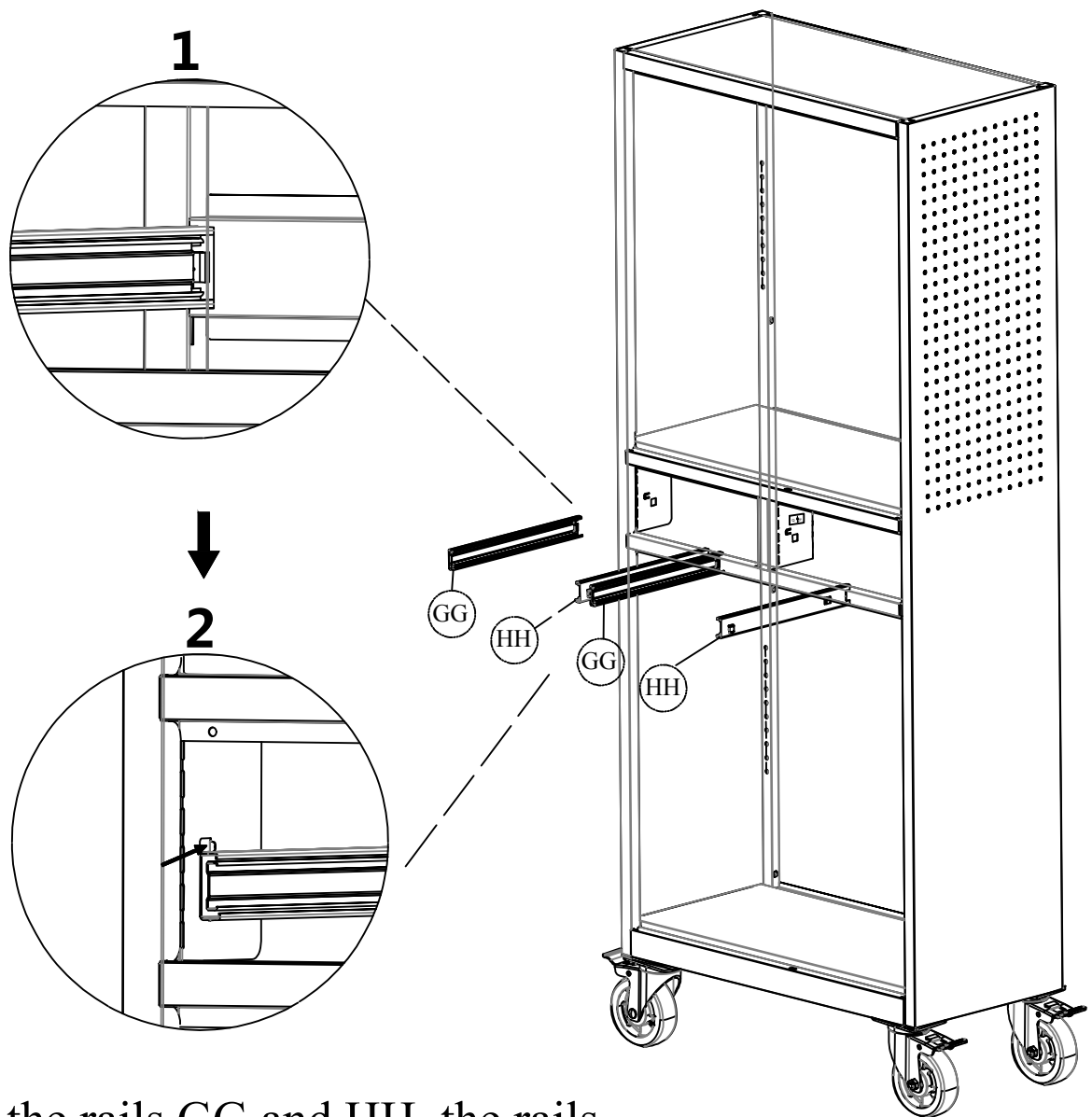
Step 8



Disconnect Levers

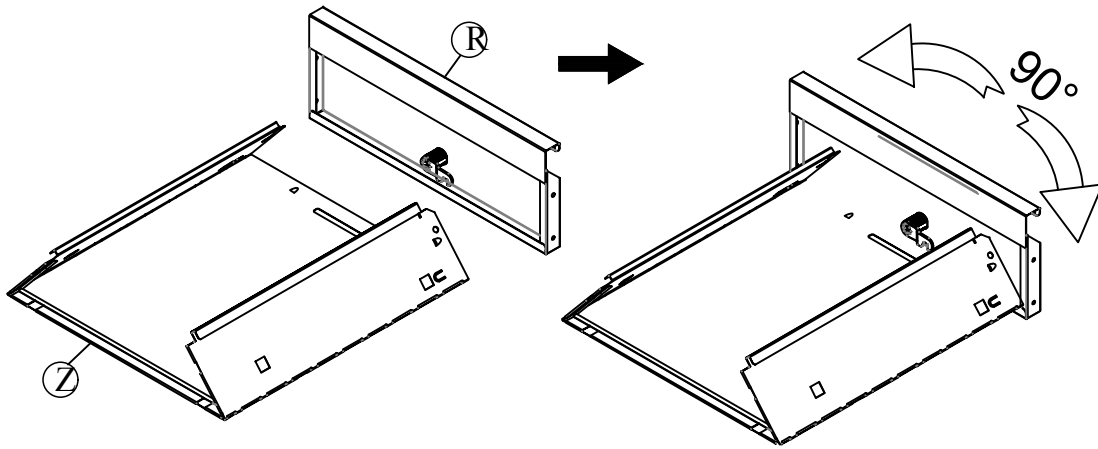
Press the clips and pull out the slide rails,
take out g and h from GG and HH

Step 9

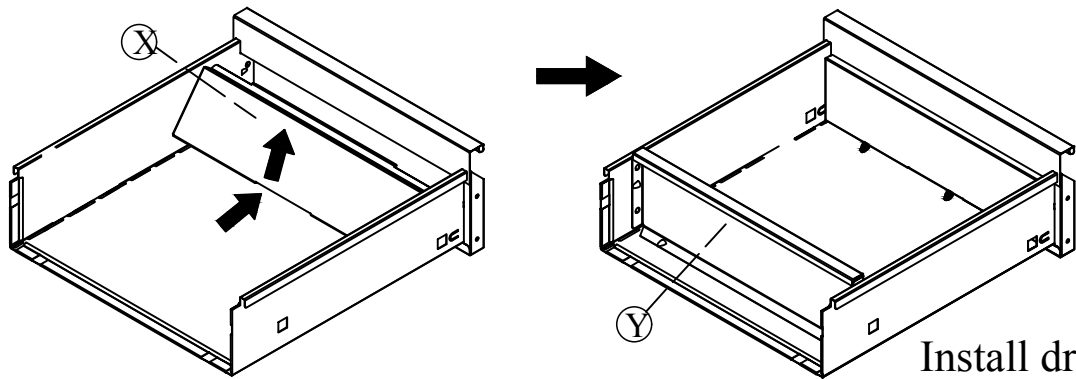


Install the rails GG and HH, the rails and Q should be connected on the back, then unfold the clips in the middle of Q

Step 10

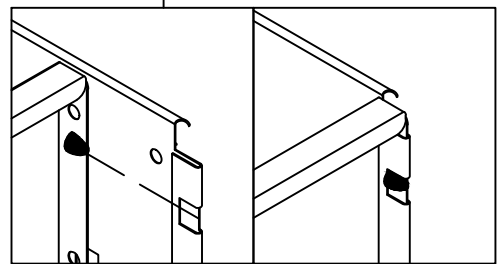
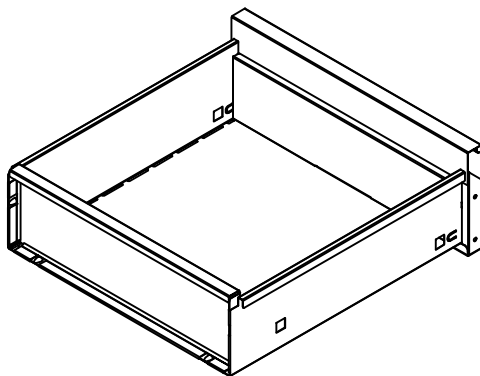


Install Z on R and unfold Z

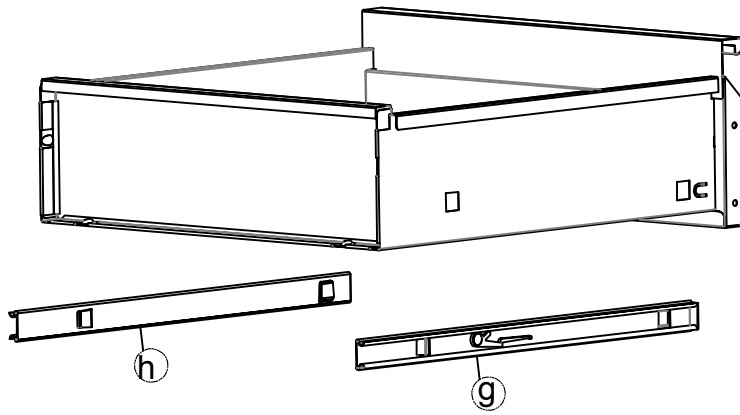


Install X on Z and R

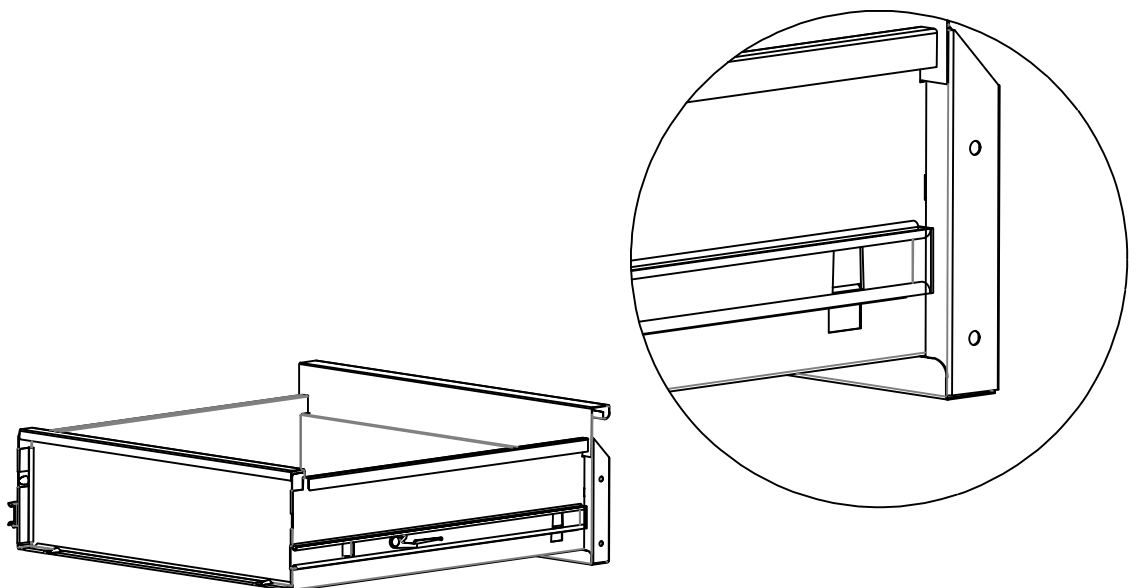
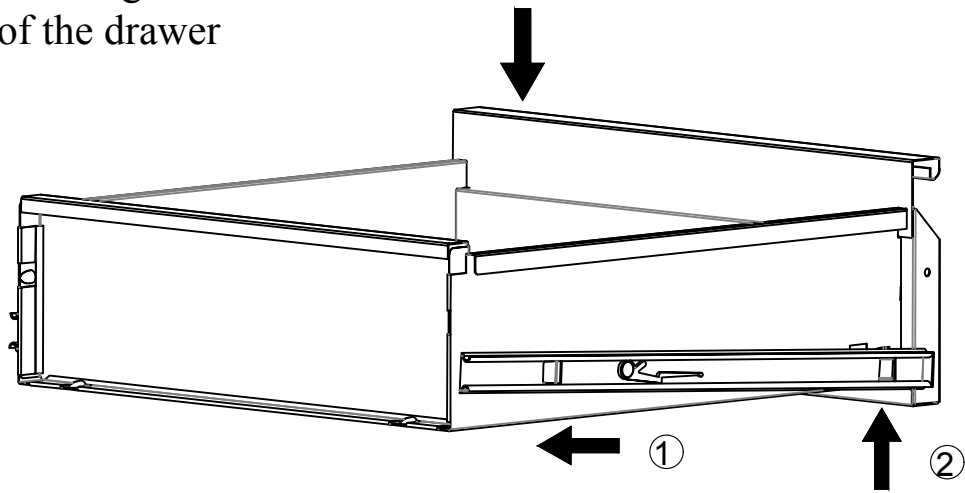
Install drawer
back panel Y



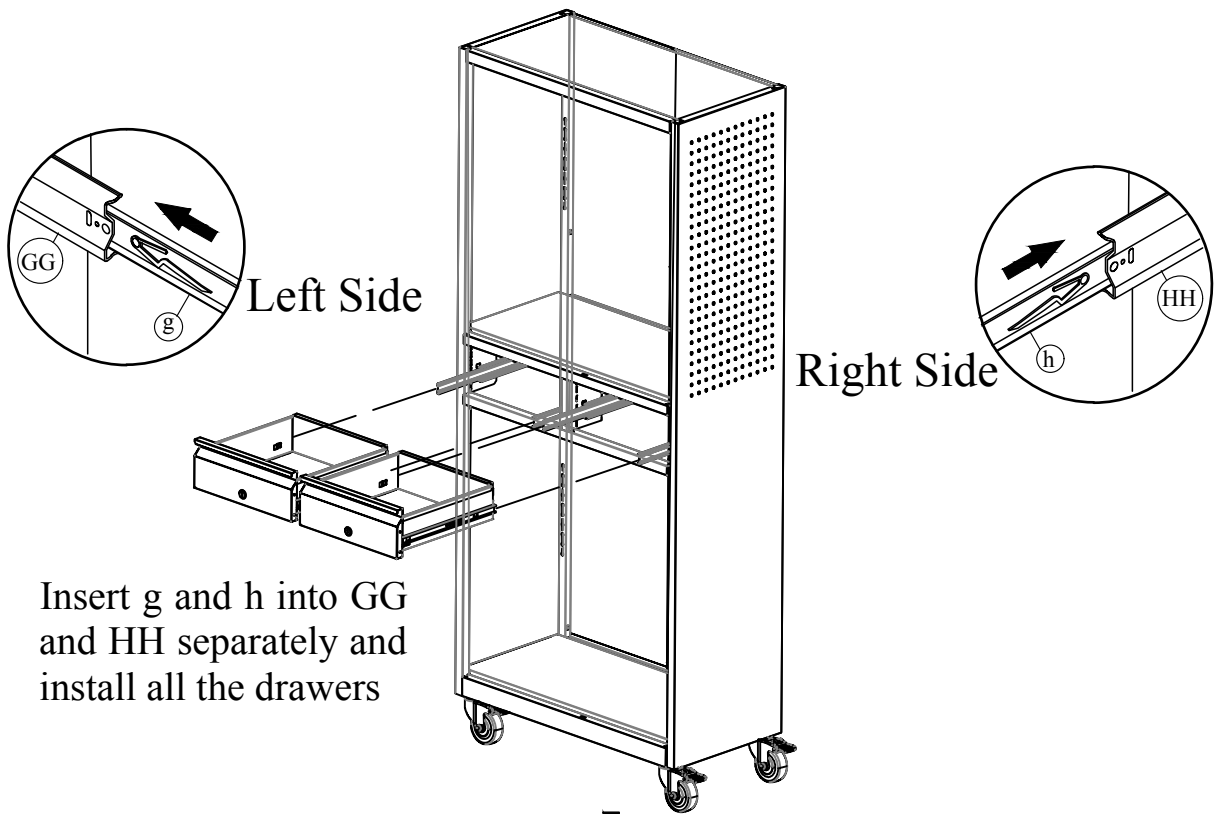
Step 11



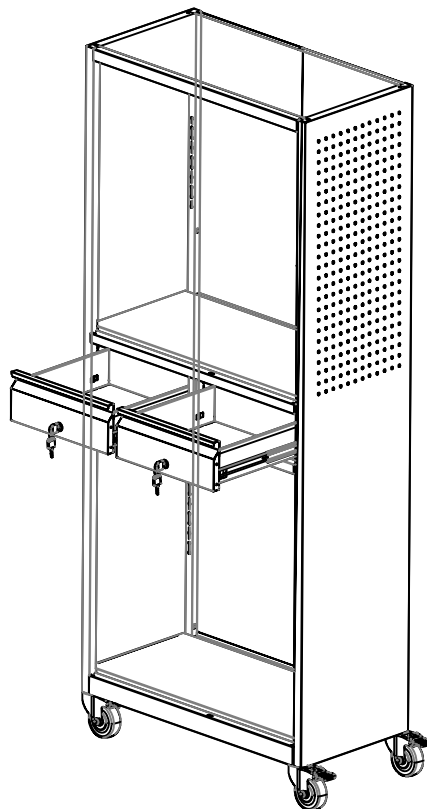
Install h and g on both sides of the drawer



Step 12



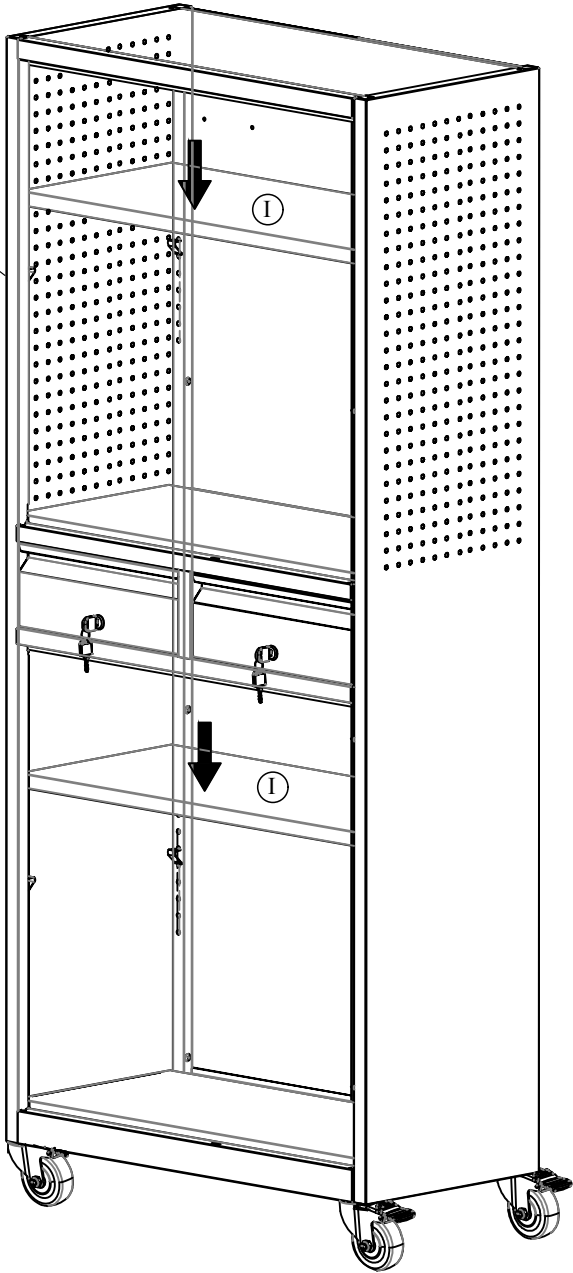
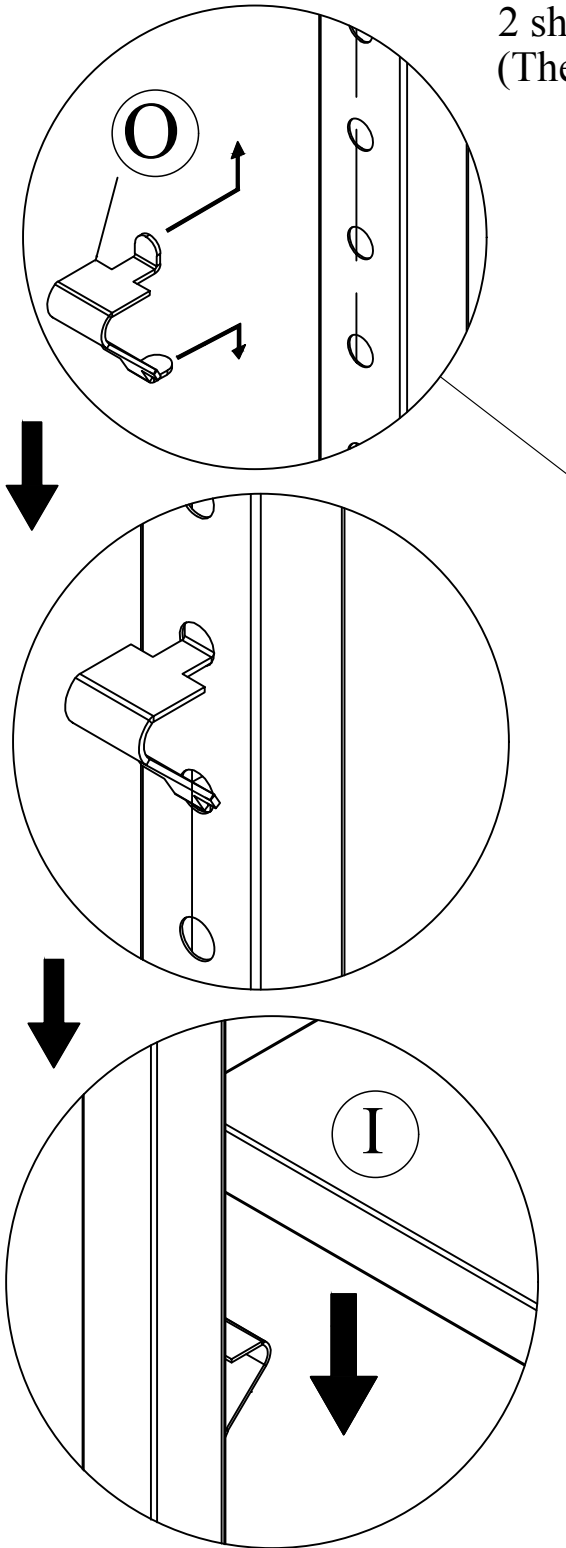
Insert g and h into GG and HH separately and install all the drawers



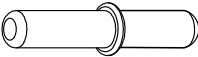
Step 13


⓪ x 8

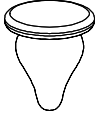
Install 8 shelf clasps ⓪ on the side panels and put 2 shelves I on them
(The location can be adjusted as needed)

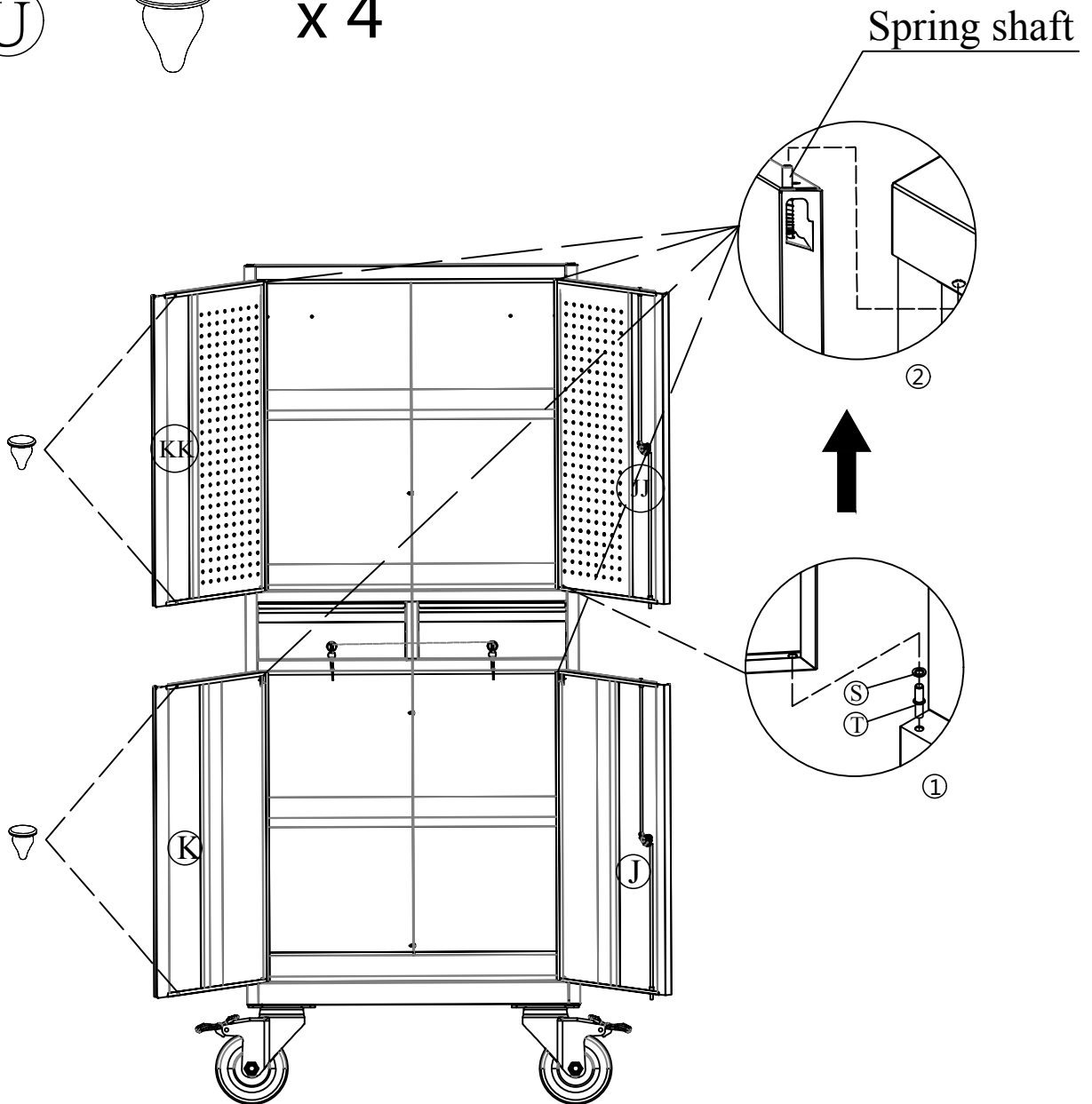


Step 14

Ⓢ  x 4


Ⓣ  x 8

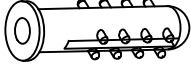
Ⓤ  x 4



Insert the door pivots S (0/1/2 shims T can be used to adjust the seam) into the holes of bottom corner
Insert the doors into the door pivots on the bottom and adjust the spring shafts on the top

Step 15

Ⓛ  x 2

Ⓜ  x 2

Fix the cabinet on the wall with 2 screws
M and 2 screws L to prevent tipping
Hang the hooks as needed

