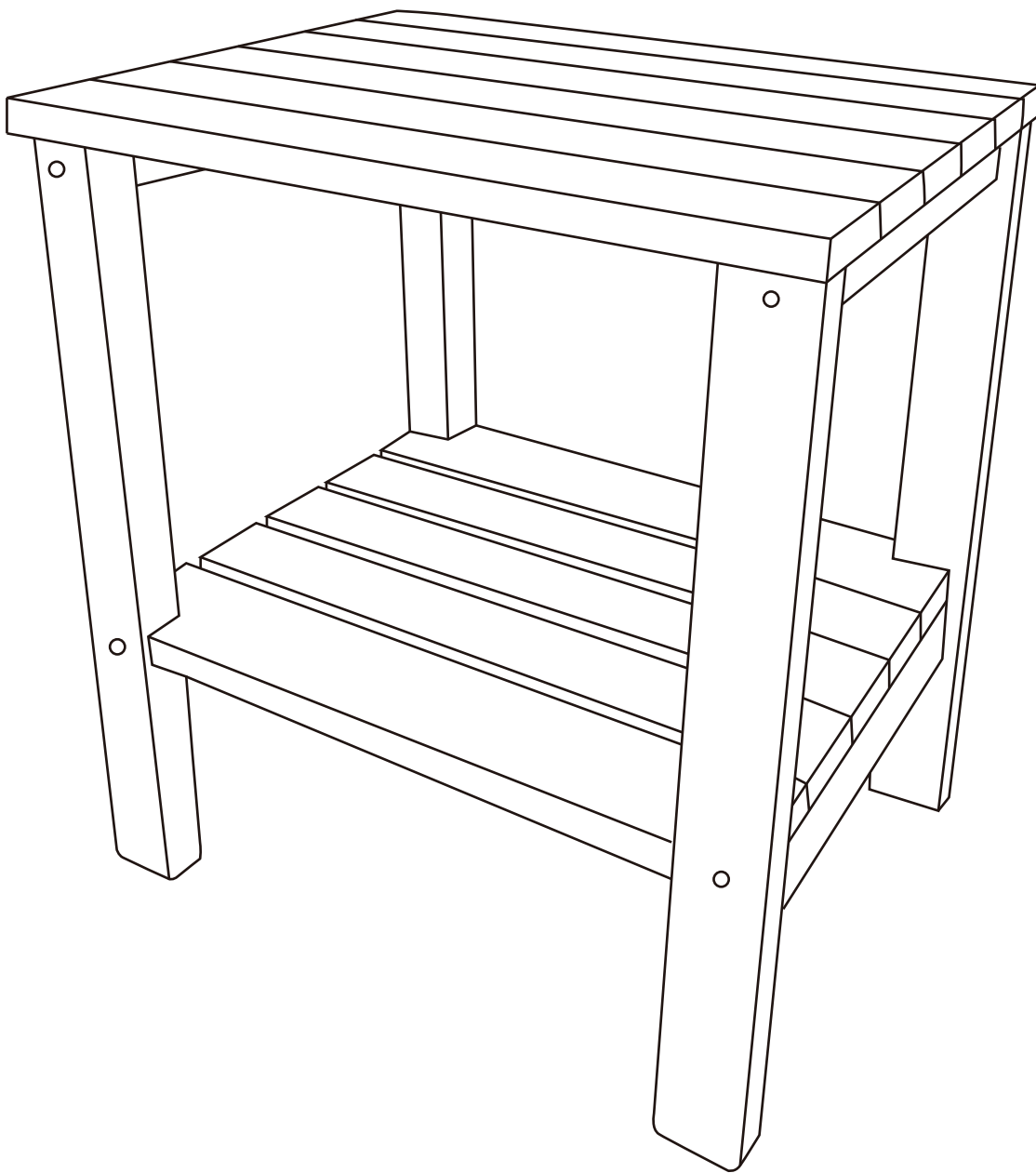


USER'S MANUAL

Product name: **Side Table**



THIS INSTRUCTION BOOKLET CONTAINS **IMPORTANT SAFETY INFORMATION**.

PLEASE READ AND KEEP FOR FUTURE REFERENCE.

Contact Us

If you have any problem, please give us a chance to make it right for you!

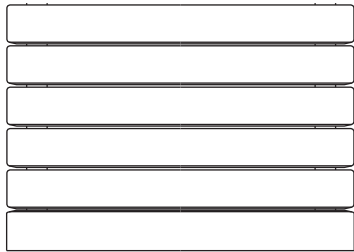
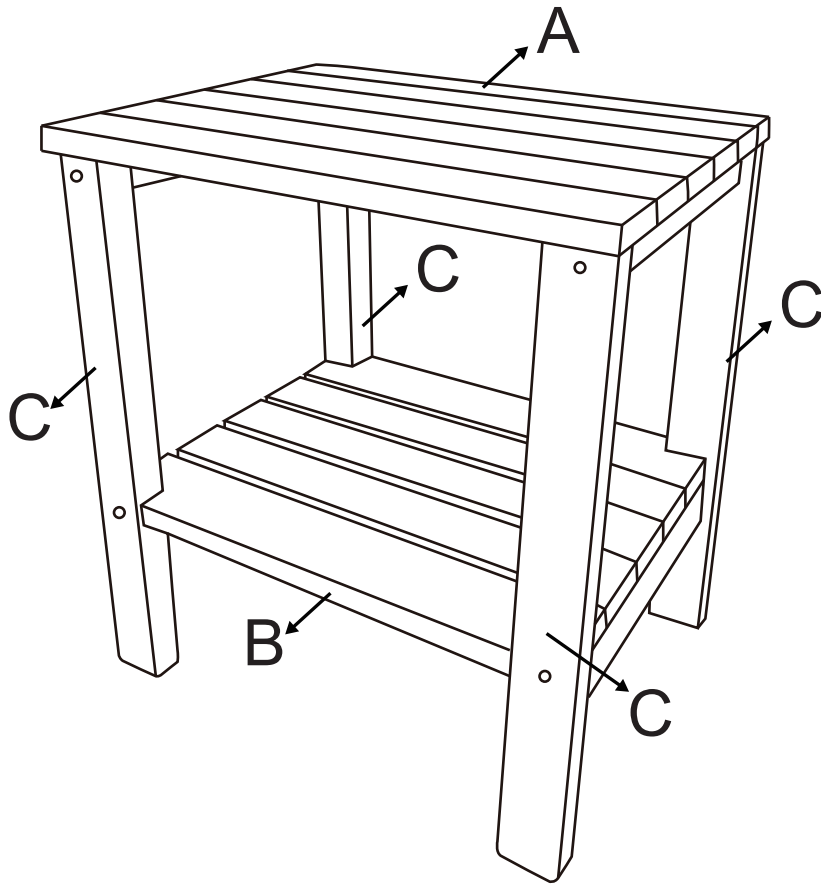
Contact our friendly customer service department for help first. Replacements for missing or damaged parts will be shipped ASAP!

✉ : RESOULPA@gmail.com

Before You Start

- Please read all instructions carefully.
- Retain instructions for future reference.
- Separate and count all parts and hardware.
- Read through each step carefully and follow the proper order.
- We recommend that, where possible, all items are assembled near to the area in which they will be placed in use, to avoid moving the product unnecessarily once assembled.
- Always place the product on a flat, steady and stable surface.
- Keep all small parts and packaging materials for this product away from babies and children.

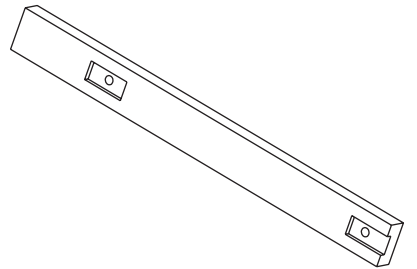
KNOW YOUR PARTS



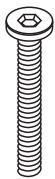
Part A x 1



Part B x 1



Part C x 4



Crew cut x 8

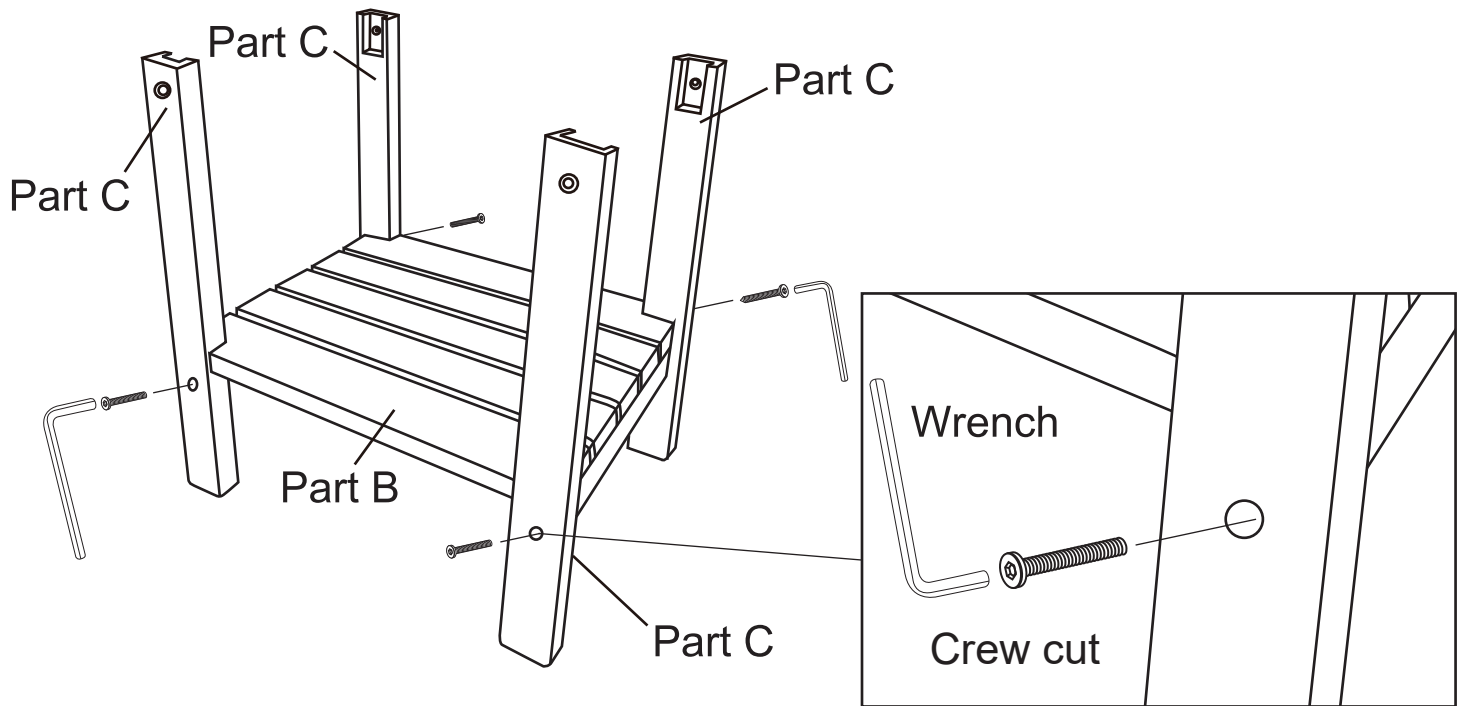


Wrench x 1

2 ASSEMBLY SETPS

Step 1:

Take out Part B x 1 and Part C x 4 and install them with Crew cut(40mm) x 4 (as shown in the figure below).



Step 2:

Take out Part A x 1 and install it on Part C x 4 with Crew cut(40mm) x 4 (as shown in the figure below).

