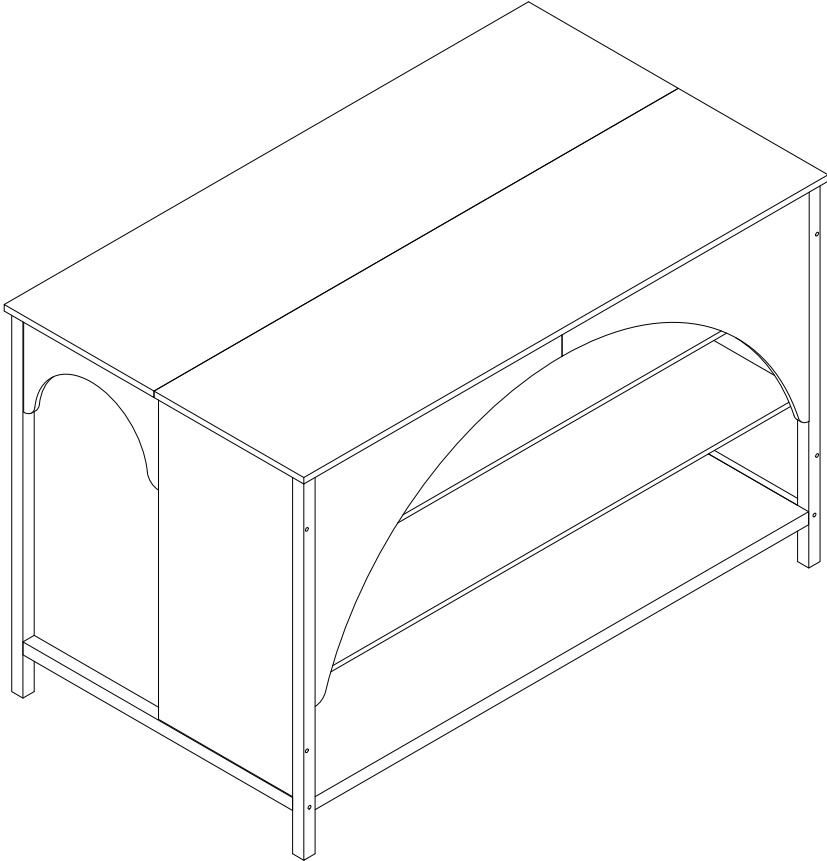


# Assembly Instructions



---

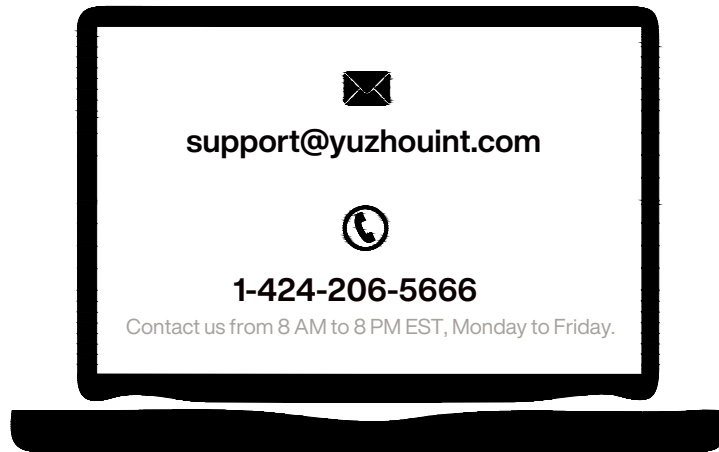
**Kitchen Island**

Model No.  
**HOGA-WW0004**

---

# Contact Us

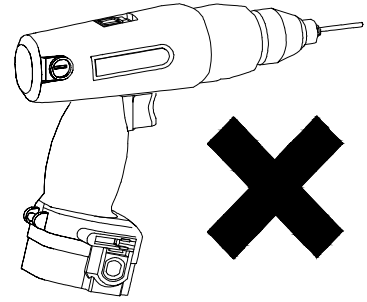
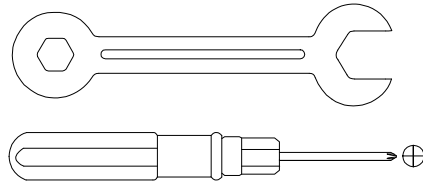
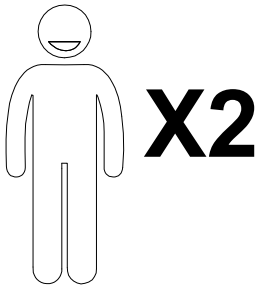
## We're here to help you.



Your satisfaction is our top priority. If you encounter any issues with this product, such as missing or damaged parts, we're here to help. Please retain the original packaging and take photos of the packaging and the product, then contact us as soon as possible.

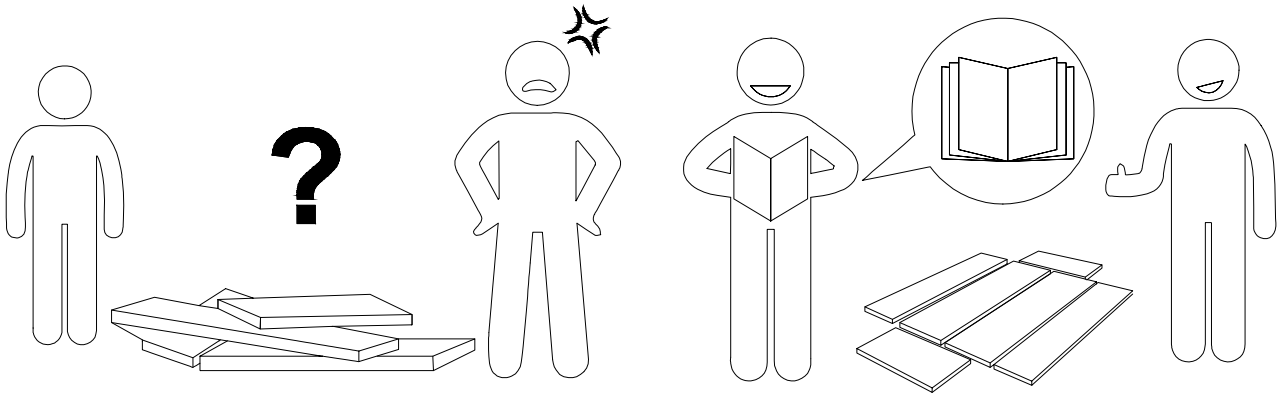
### Warm Tips

1. Carefully read these instructions and keep them for future reference.
2. Check the parts list and confirm everything's there before starting assembly.
3. When assembling, put all parts on a soft, smooth surface like a carpet to avoid scratches.
4. Don't fully tighten screws until all parts are confirmed in place to avoid misalignment.



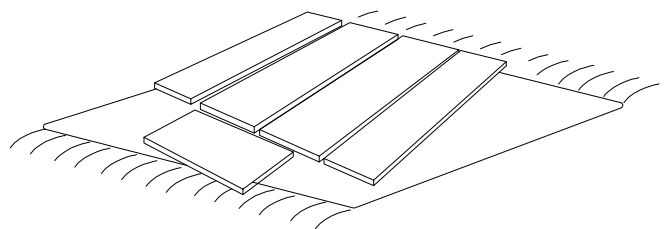
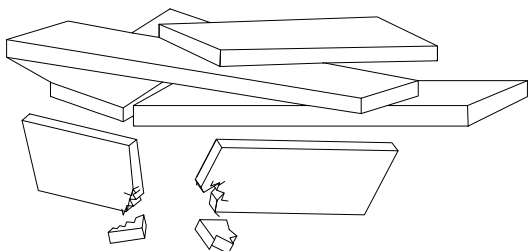
We recommend using hand tools for assembly.

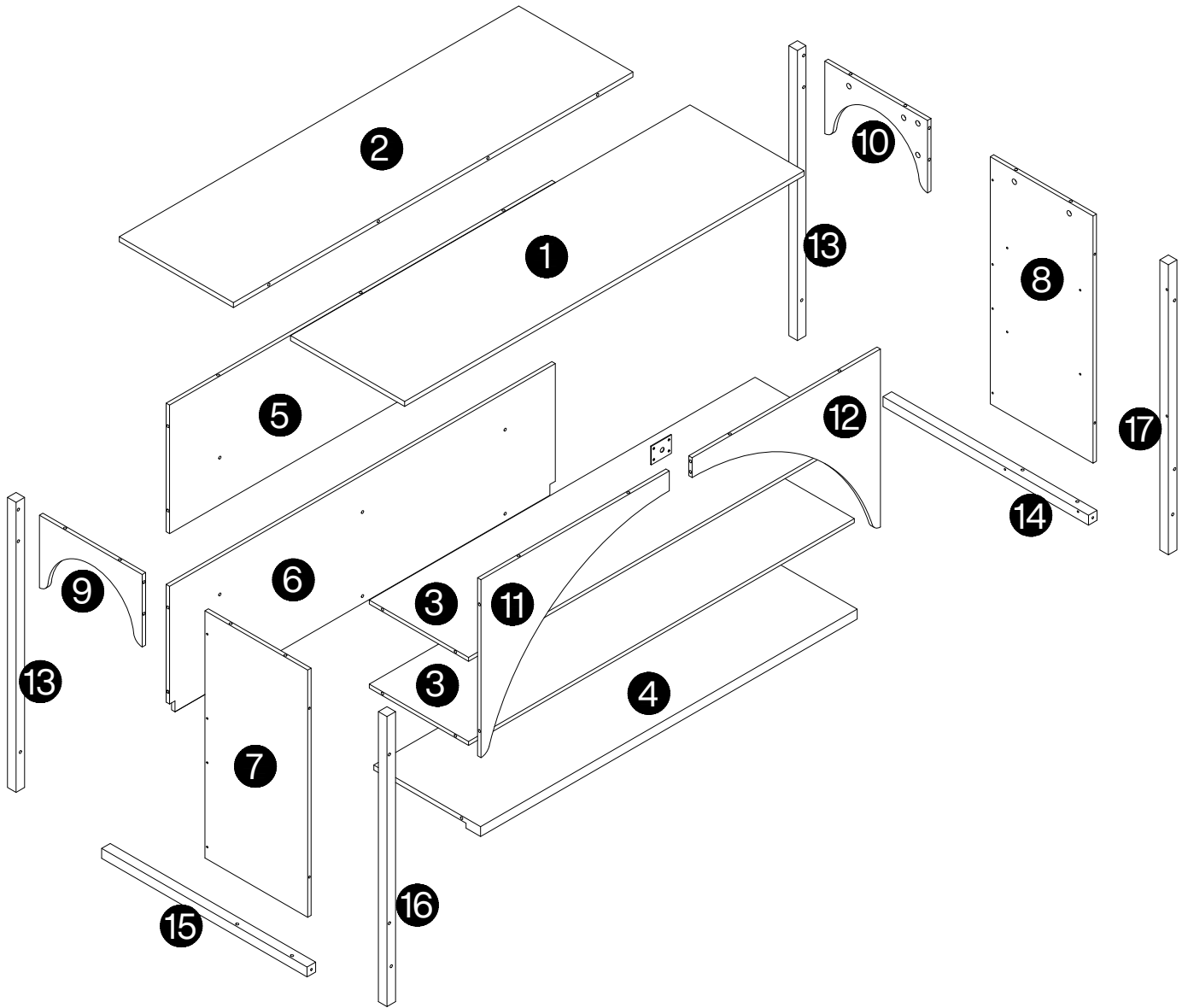
If an electric screwdriver is used, reduce power and torque to avoid damage to the product.



## AVOID SCRATCHES

In order to avoid scratching, this furniture should be assembled on a soft surface, such as a rug.

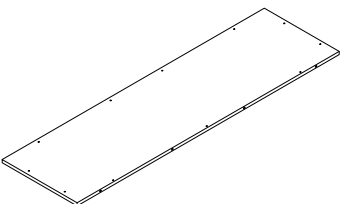
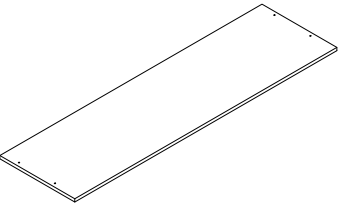
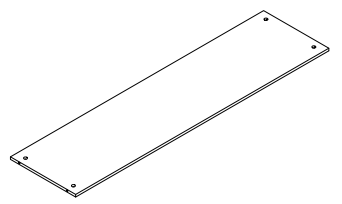
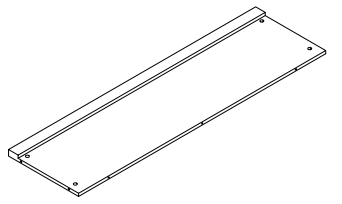
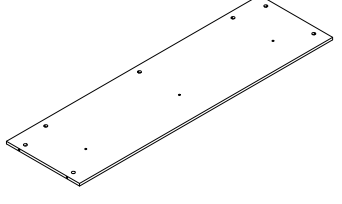
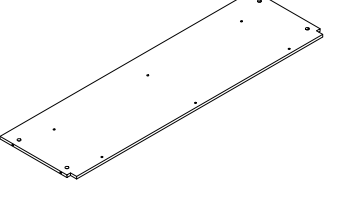
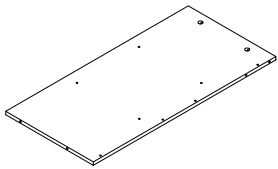
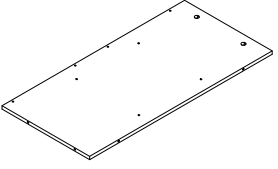
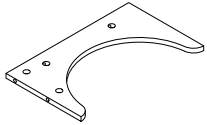
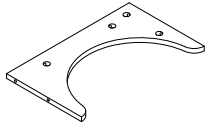
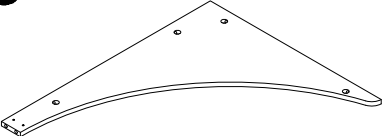
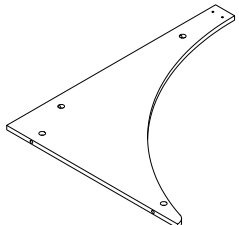
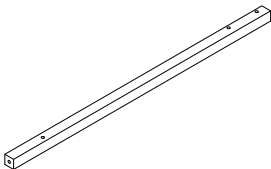
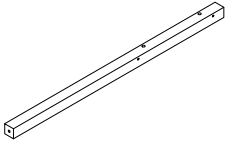
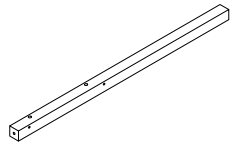
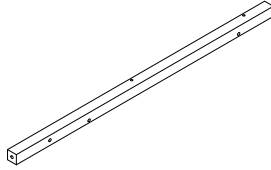
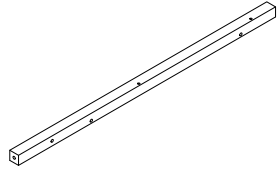






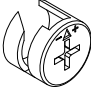


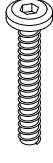
**⚠ Caution**

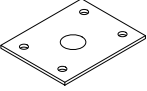
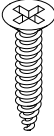

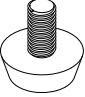
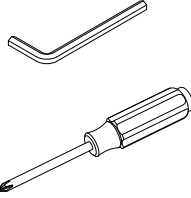
Make sure all parts are included. Most board parts are labeled or stamped on the raw edge. Contact us for a free replacement if you encounter any damaged or missing parts.

# Parts List

<b>1</b>  1 pc	<b>2</b>  1 pc	<b>3</b>  2 pcs
<b>4</b>  1 pc	<b>5</b>  1 pc	<b>6</b>  1 pc
<b>7</b>  1 pc	<b>8</b>  1 pc	<b>9</b>  1 pc
<b>10</b>  1 pc	<b>11</b>  1 pc	<b>12</b>  1 pc
<b>13</b>  2 pcs	<b>14</b>  1 pc	<b>15</b>  1 pc
<b>16</b>  1 pc	<b>17</b>  1 pc	

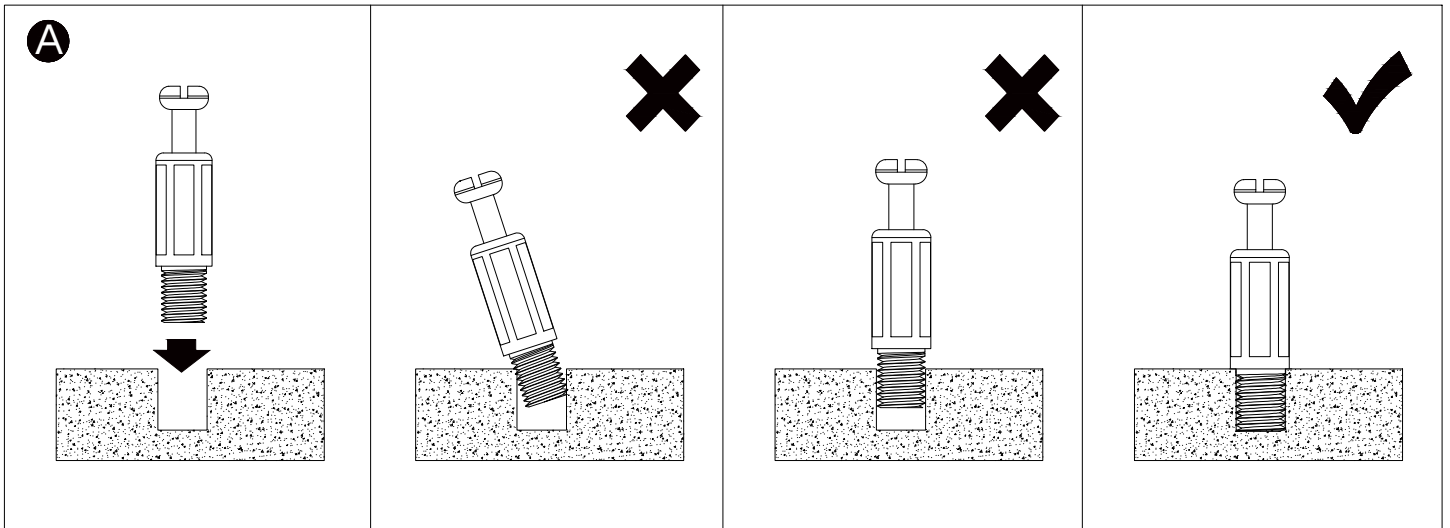
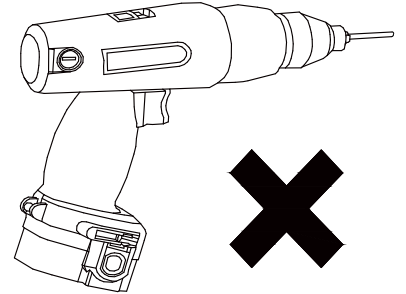
# Hardware List

<b>A</b>	<b>B</b>	<b>C</b>	<b>D</b>	<b>H</b>	<b>I</b>
					
M5x40mm	M7x50mm		M7x60mm	M6x40mm	M6x50mm
35 pcs	9 pcs	43 pcs	12 pcs	8 pcs	4 pcs

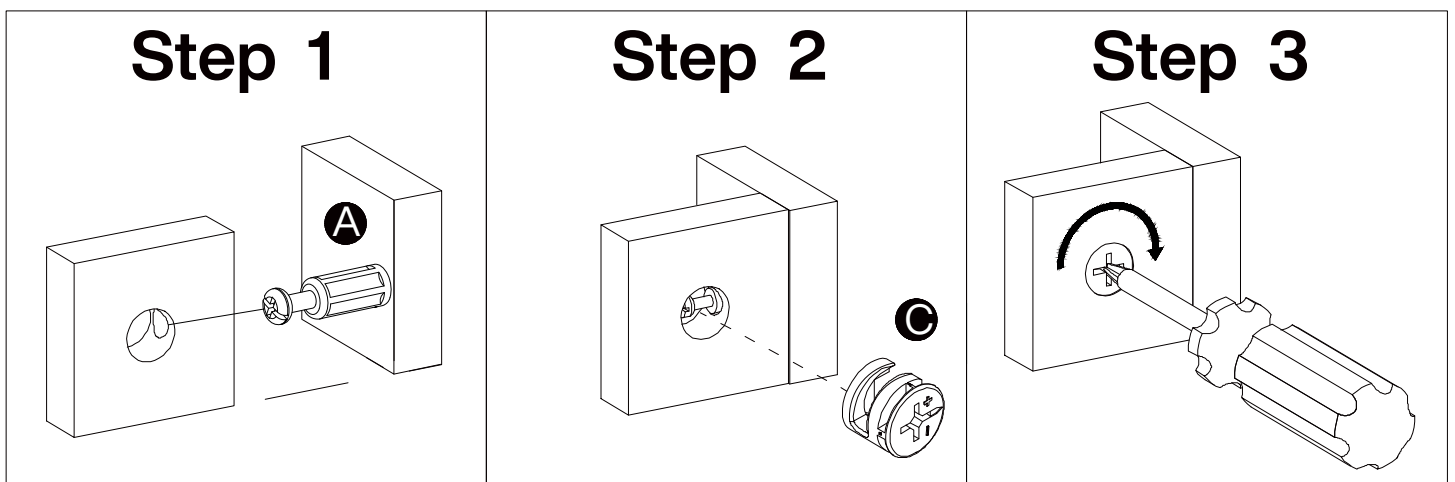
<b>O</b>	<b>P</b>	<b>W</b>	<b>Y</b>	
				
	M3.5x12mm	Ø8x40mm	M8x18	
1 pc	4 pcs	6 pcs	4 pcs	

# Installation of Cams and Pins

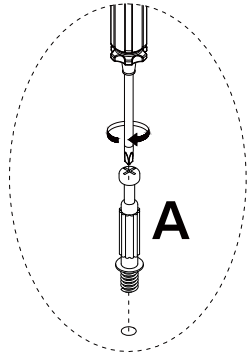
Read each step carefully before starting. Each step of instruction should be performed in the correct order. If these steps are not followed in sequence, assembly difficulties may occur.

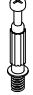




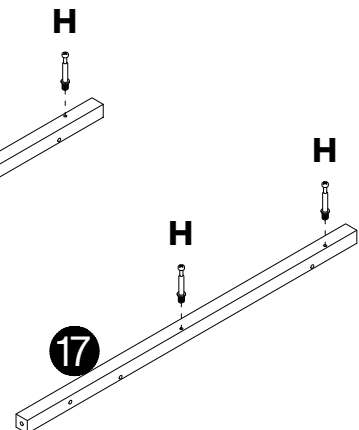
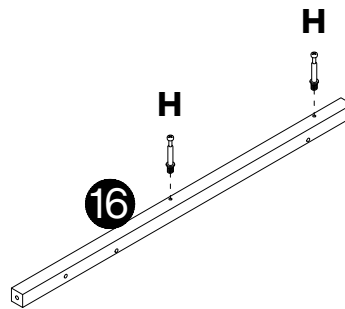
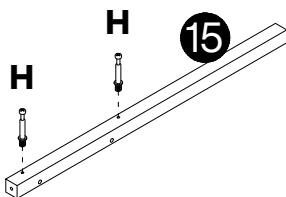
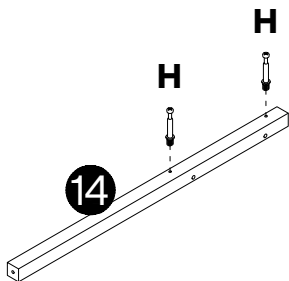
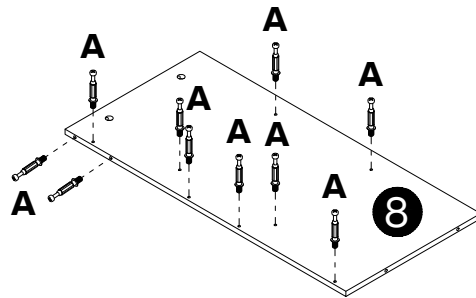
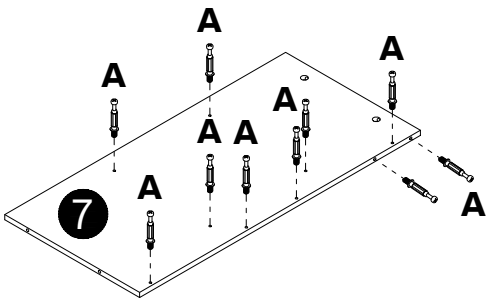
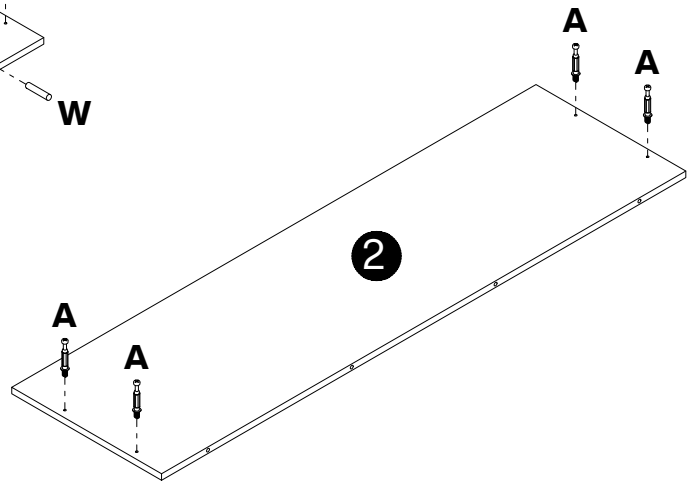
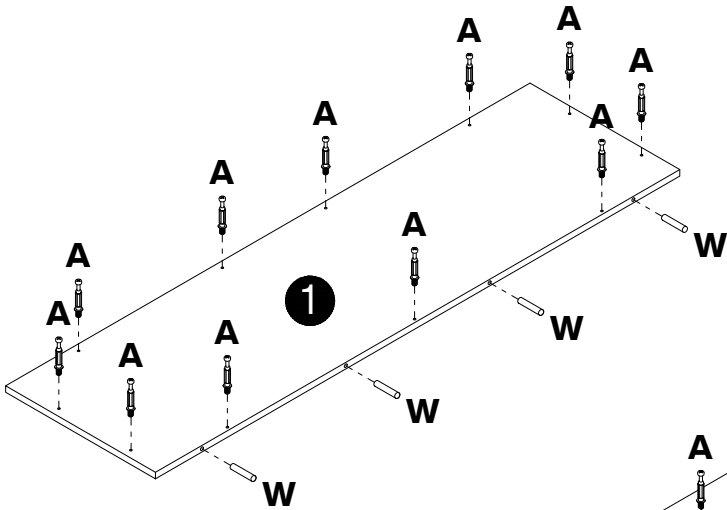
Screw the pin into the hole. Set the cams correctly by aligning the head of the cams with the lock pins. Lock the cam by turning the cam head with a screwdriver until it is tightened. Please do not use an electric screwdriver to assemble the unit.




**1**

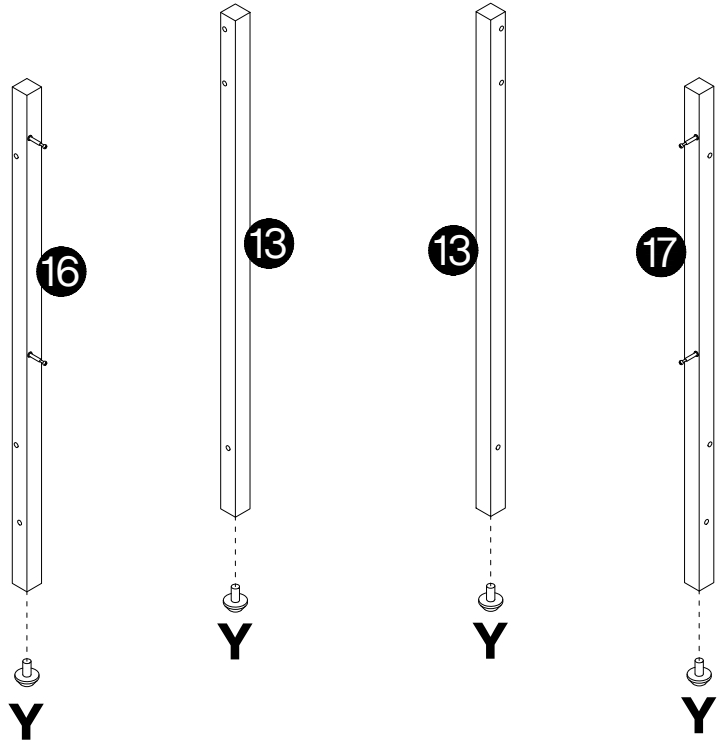


A	H	W
		
M5x40mm	M6x40mm	Ø8x40mm
35 pcs	8 pcs	4 pcs




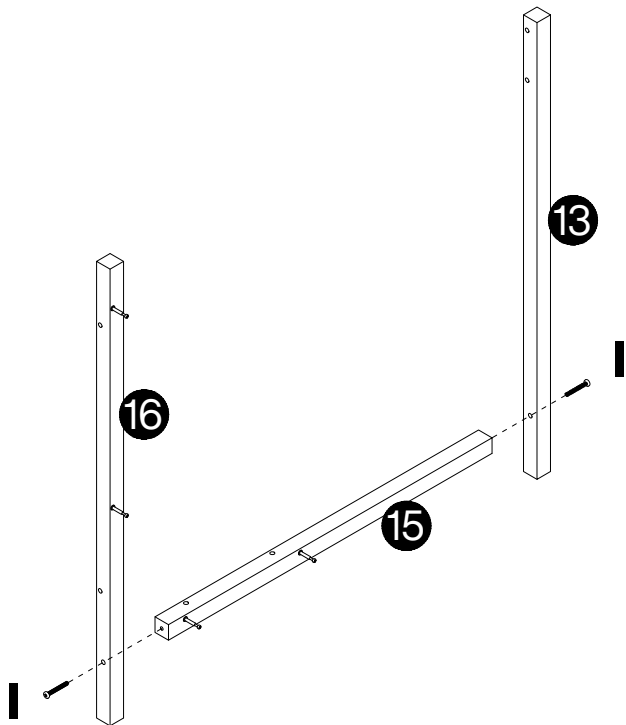
2

<b>Y</b>

M8
4 pcs

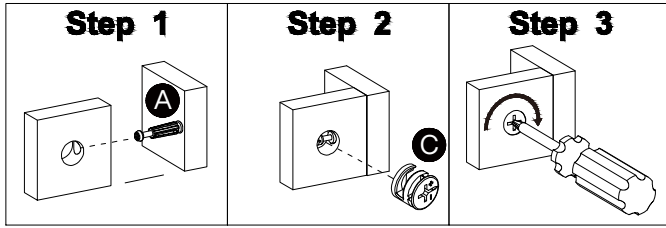



3

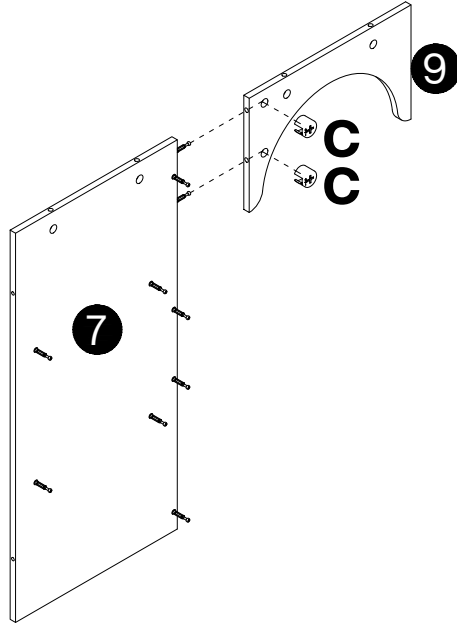
<b>I</b>

M6x50mm
2 pcs



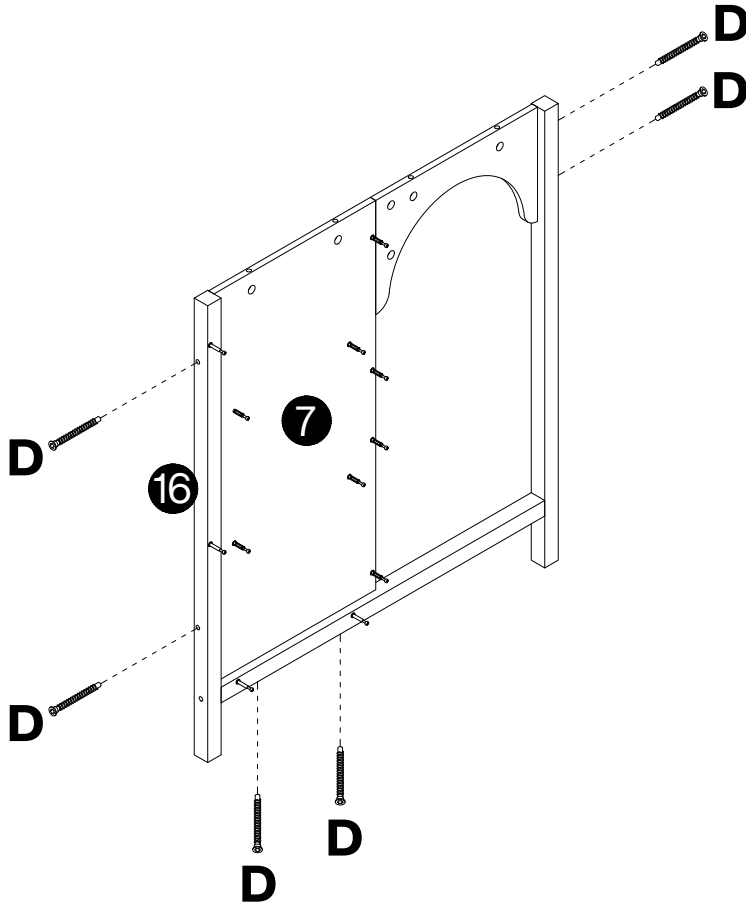
4

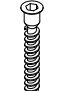


<b>C</b>

2 pcs

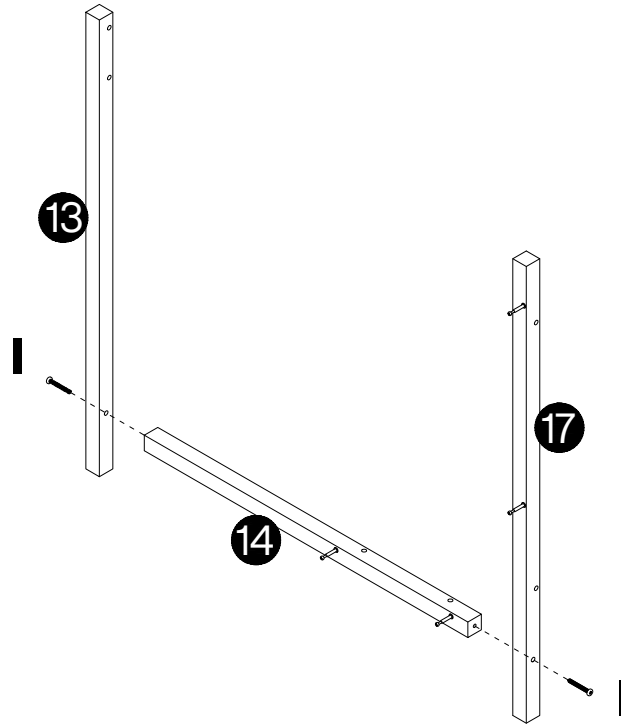



5



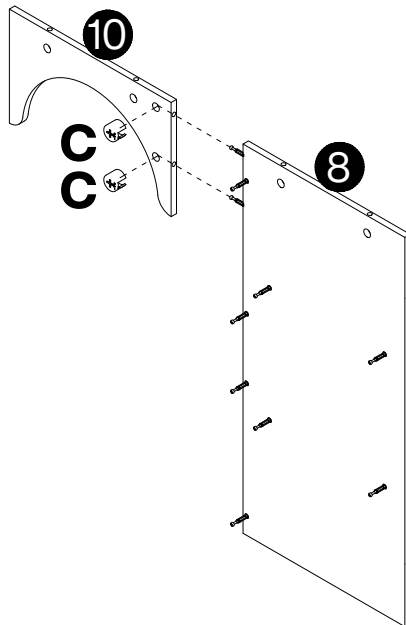
<b>D</b>

M7x60mm
6 pcs


6



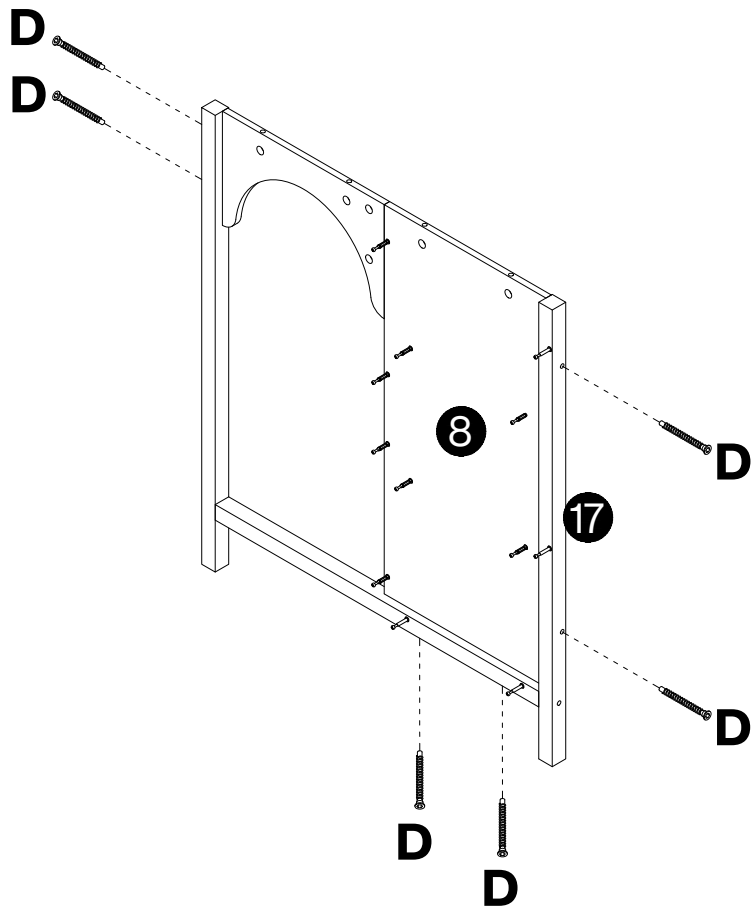
I

M6x50mm
2 pcs


7



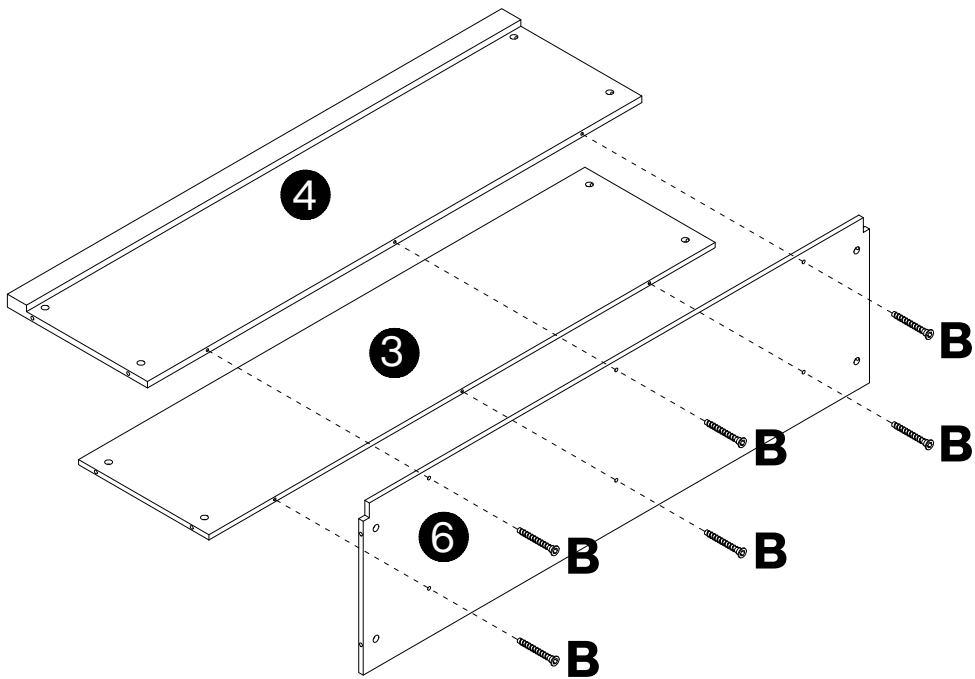
C

2 pcs


8




<b>D</b>

M7x60mm
6 pcs

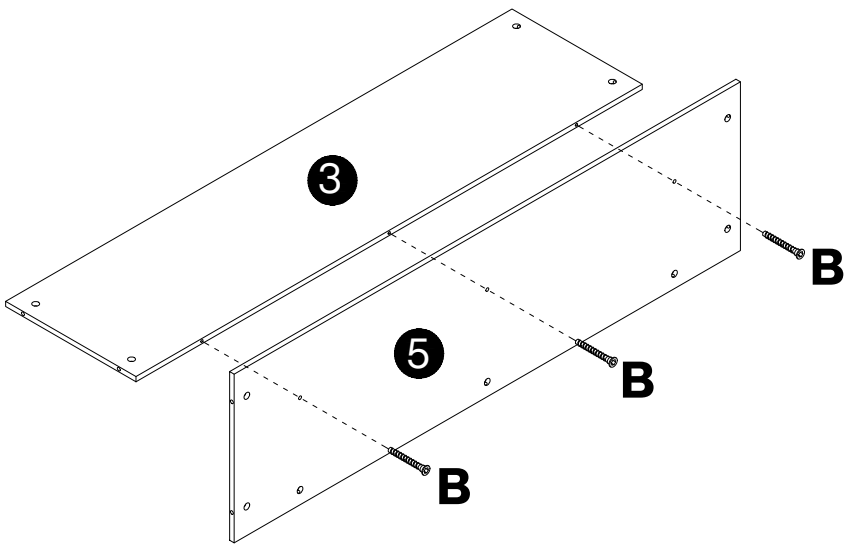
9




<b>B</b>

M7x50mm
6 pcs

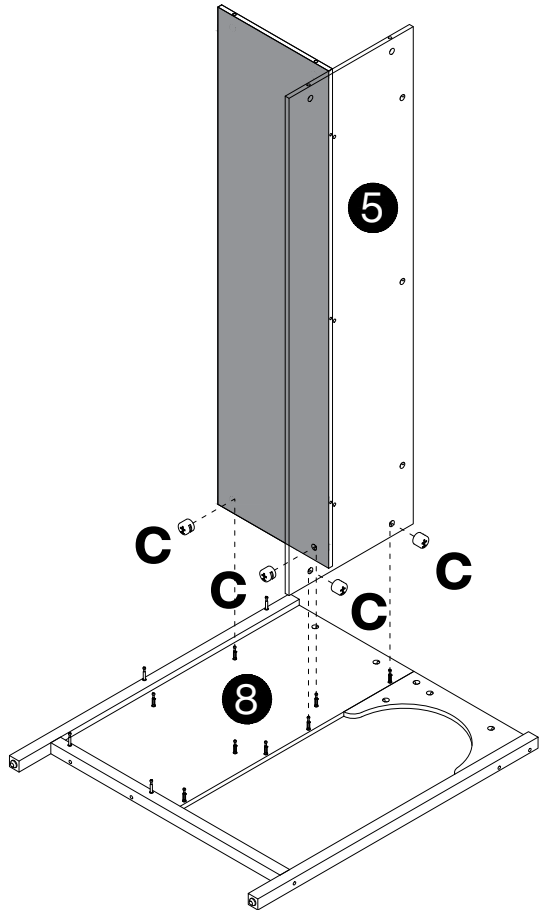
10

<b>B</b>

M7x50mm
3 pcs

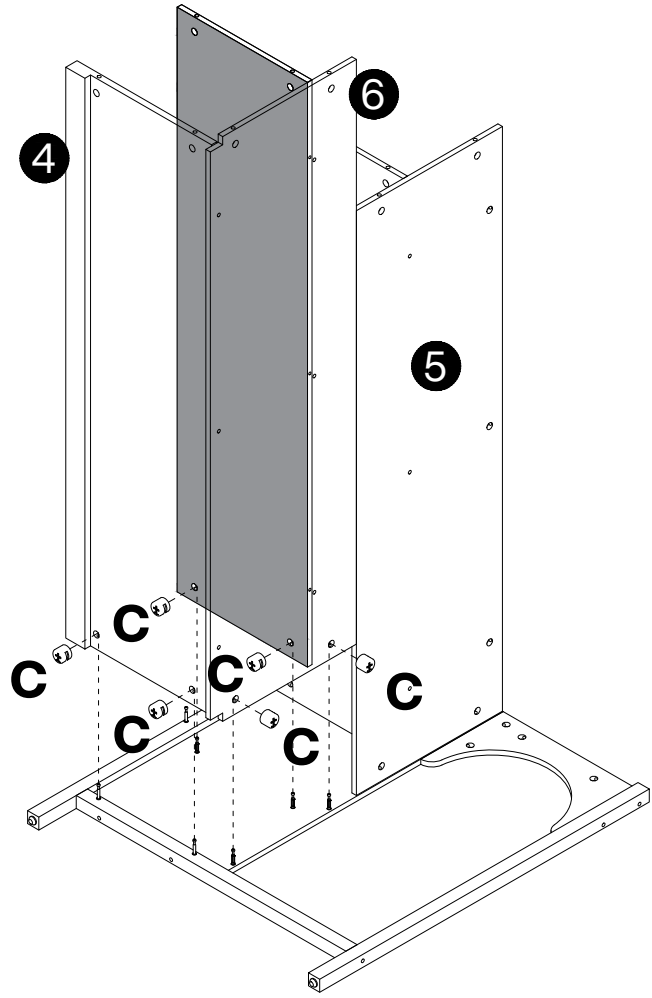



11

<b>C</b>

4 pcs

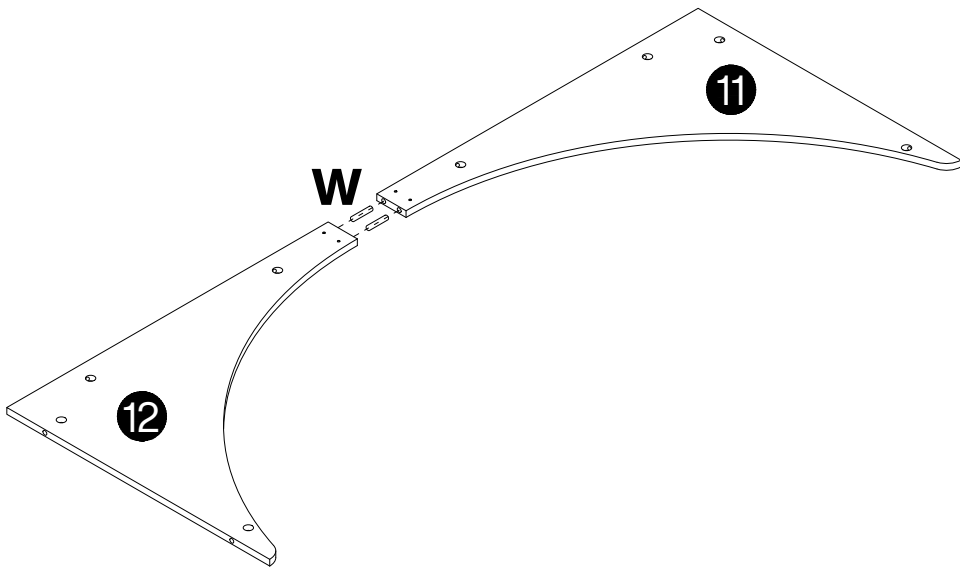



12





<b>C</b>

6 pcs

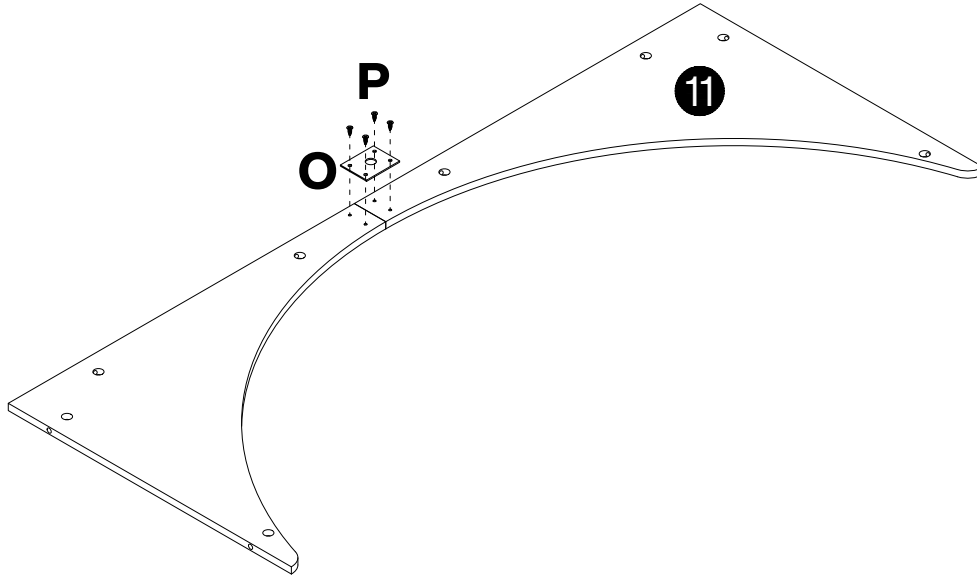
13




<b>W</b>

Ø8x40mm
2 pcs

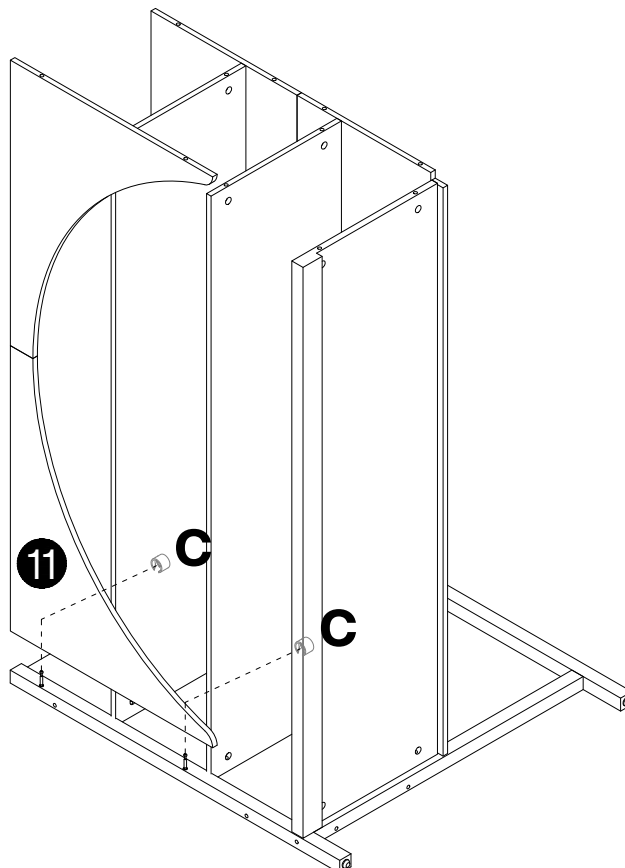
14

O	P
	
1 pc	M3.5x12mm 4 pcs




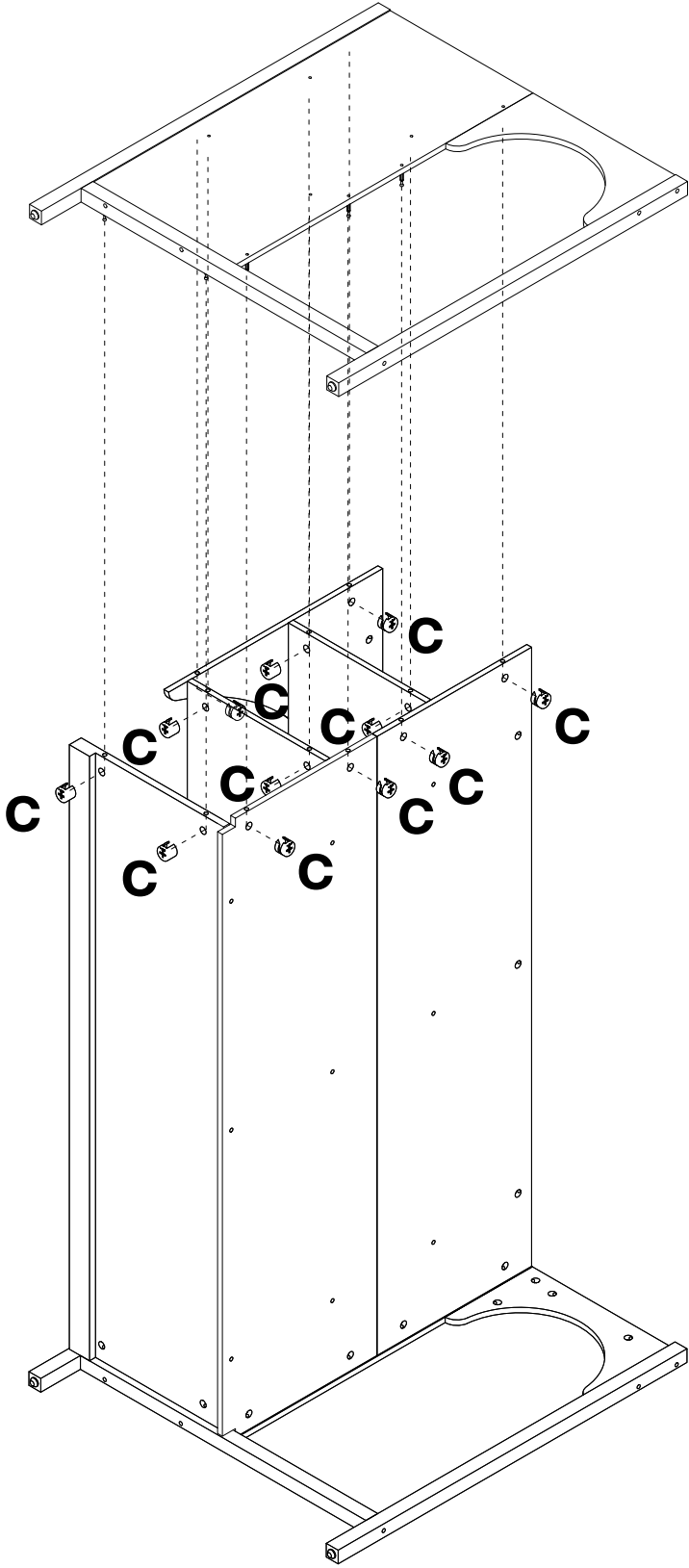
15

C

2 pcs




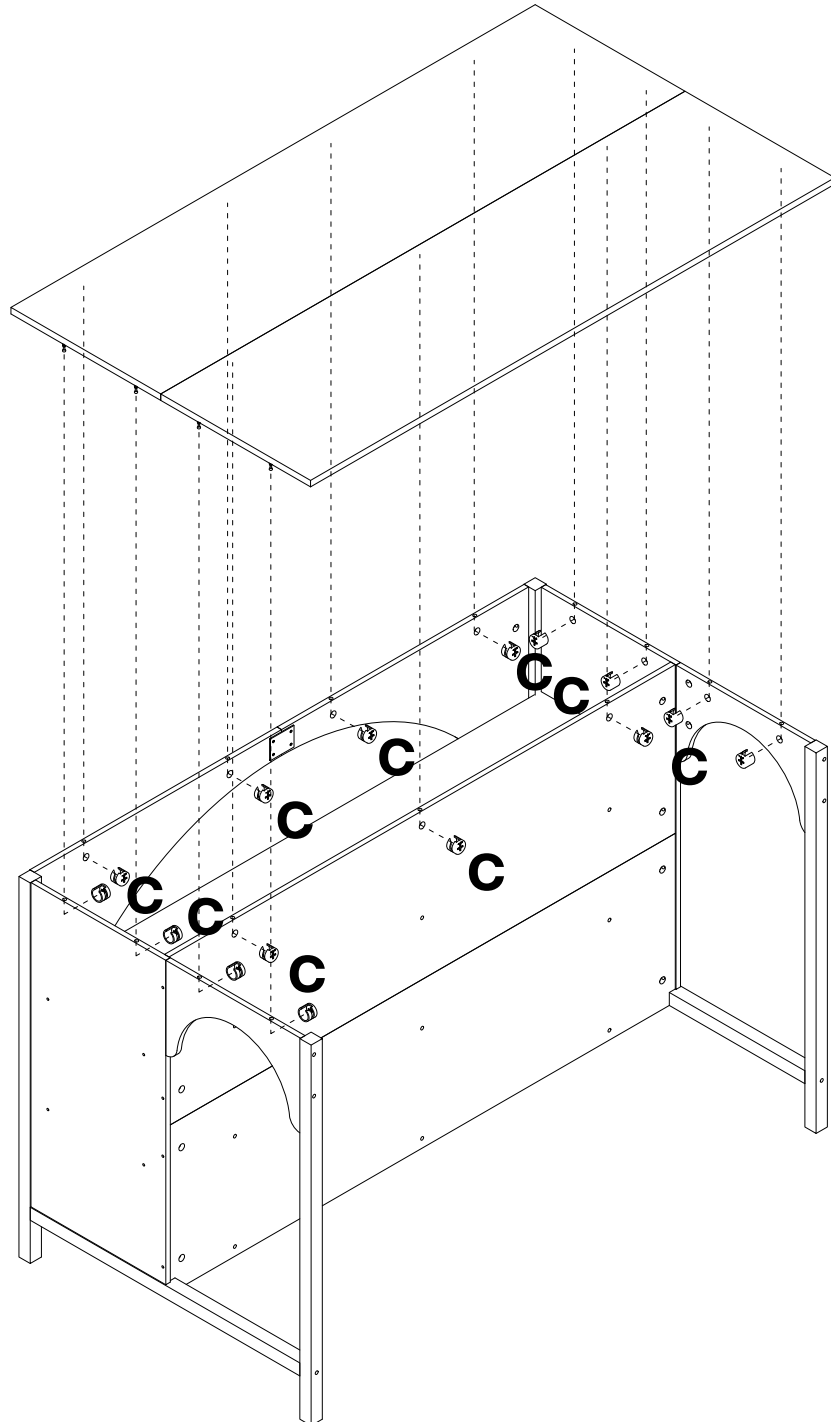
16

<b>C</b>

12 pcs



17

<b>C</b>

15 pcs



**Thank you for your support!**

