

# *ASSEMBLY INSTRUCTIONS*



*BAR UNIT*

# ASSEMBLY INSTRUCTIONS

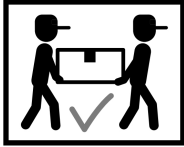
## ASSEMBLY TIPS:

1. Remove hardware from box and sort by size.
2. Please check to see that all hardware and parts are present prior to start of assembly.
3. Please follow attached instructions in the same sequence as numbered to assure fast & easy assembly.



## WARNING!

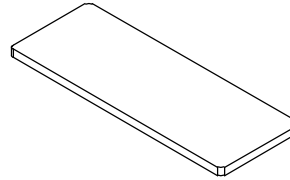
1. Don't attempt to repair or modify parts that are broken or defective. Please contact the store immediately.
2. This product is for home use only and not intended for commercial establishments.



ASSEMBLY TIME 99 MINUTES

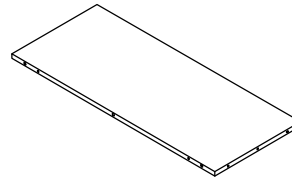
## PARTS IDENTIFICATION

A DESKTOP BOARD



1PC

B TOP PANEL



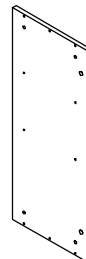
1PC

C LEFT PANEL



1PC

D RIGHT PANEL



1PC

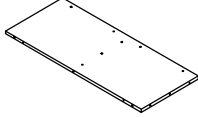
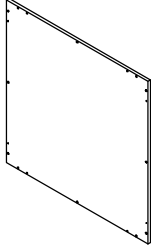


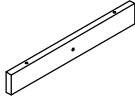
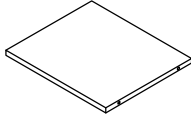
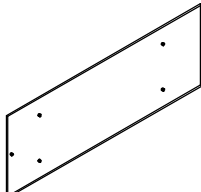
E MIDDLE SUPPORT PANEL



1PC

# ASSEMBLY INSTRUCTIONS

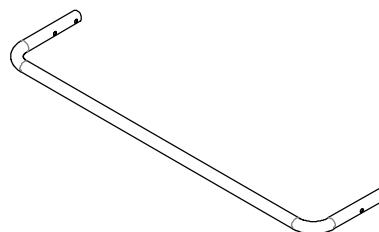
## PARTS IDENTIFICATION

F	BOTTOM PANEL		1PC
G	FRONT PANEL		1PC
H	LEFT OUTSIDE PANEL		1PC
I	RIGHT OUTSIDE PANEL		1PC
J	SUPPORT PANEL		2PCS
K	SHELF PANEL		4PCS
L	SIDE GLASS		2PCS

# ASSEMBLY INSTRUCTIONS

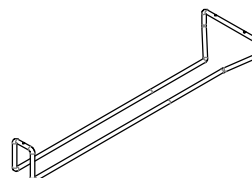
## PARTS IDENTIFICATION

M FOOTREST BAR



1PC

N GLASS HOLDER



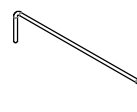
2PCS

O FOOTREST LEG



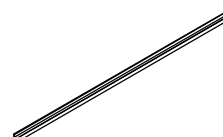
2PCS

P CROSSBAR



2PCS

Q PLASTIC BAR



2PCS

# ASSEMBLY INSTRUCTIONS

## HARDWARE IDENTIFICATION

Z

1 CAM-BOLT  
(38mm SR) 14PCS



2 CAM-LOCK  
( $\phi$ 15mm SR) 14PCS



3 WOOD DOWEL  
(8 x 30mm) 12PCS



4 LONG WOOD DOWEL  
(8 x 50mm) 4PCS



5 LONG SCREW  
(8 x 38mm) 23PCS



6 SHORT BOLT  
(1/4" x 12mm) 4PCS



7 MEDIUM BOLT  
(1/4" x 22mm) 2PCS



8 LONG BOLT  
(1/4" x 32mm) 8PCS



9 WASHER  
( $\phi$ 16mm) 2PCS



10 PLASTIC WASHER  
( $\phi$ 15mm) 2PCS



11 CAP  
( $\phi$ 25mm) 2PCS



12 LEVELER  
(1/4" x 18mm) 2PCS



13 ROUND CAP  
( $\phi$ 30mm) 2PCS



14 NUT 2PCS



15 SCREW  
(3.5 x 15mm) 6PCS



16 GLUE 1PC



17 BOLT  
(1/4" x 35mm) 4PCS



18 COVER 4PCS

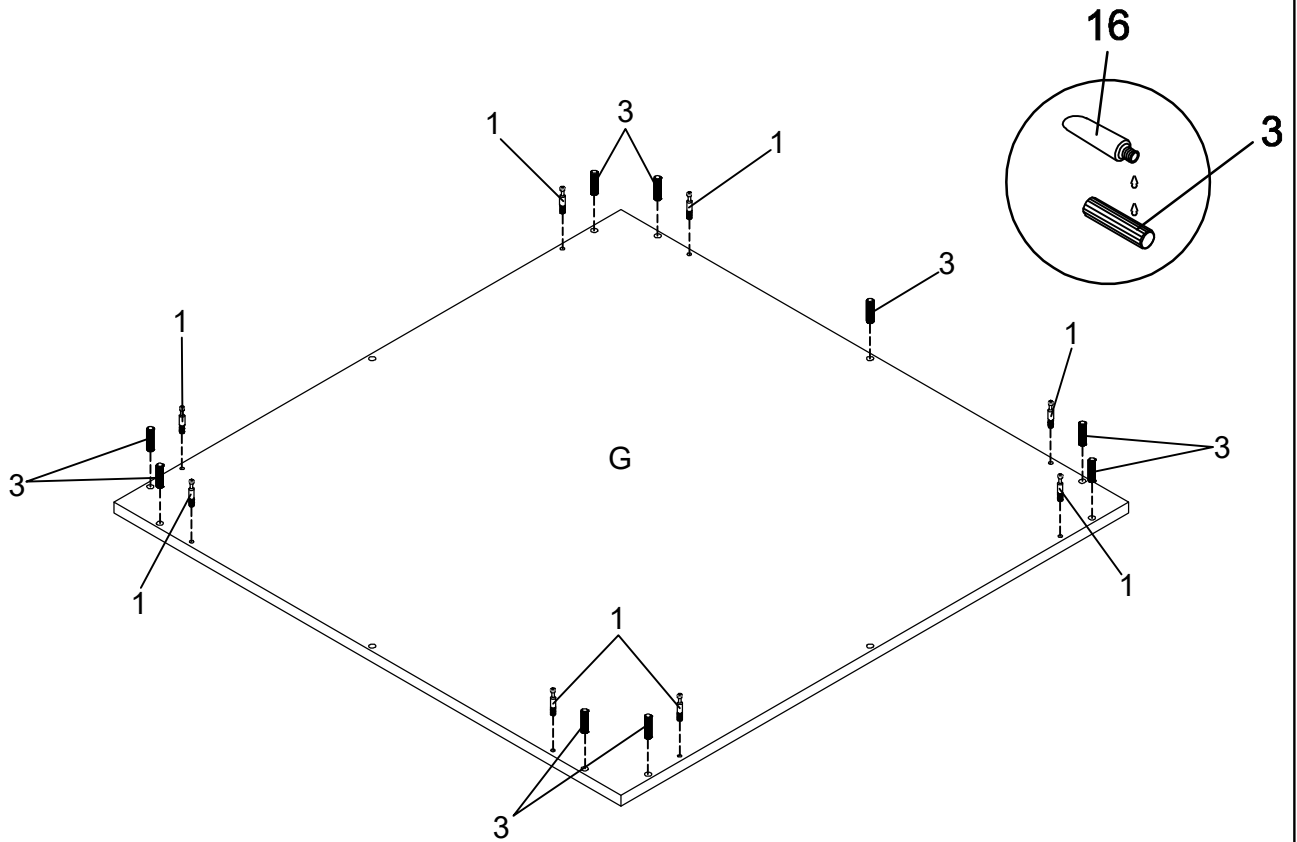


19 ALLEN WRENCH  
(4mm) 1PC

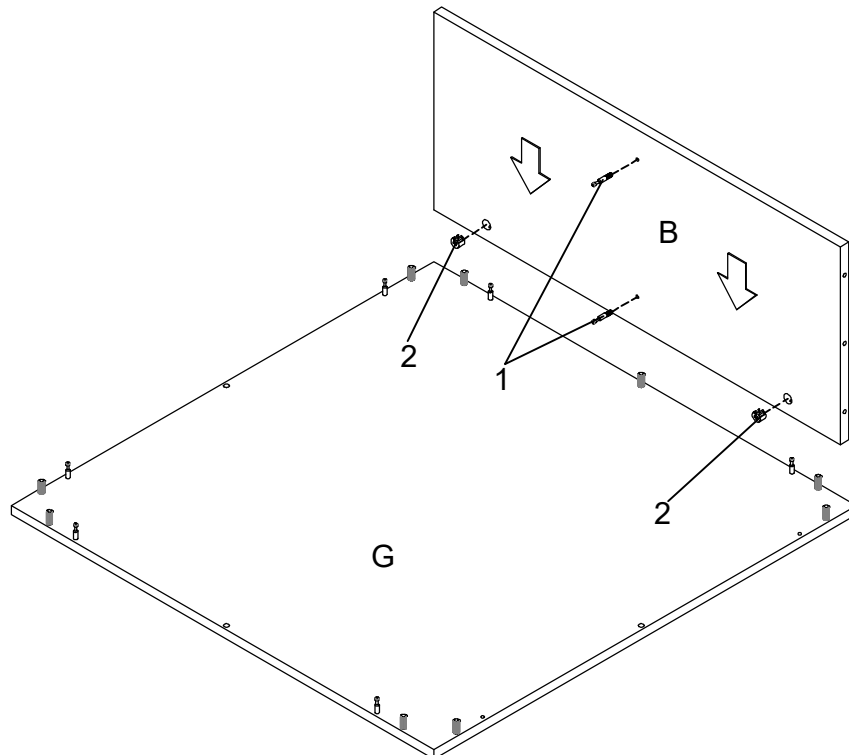


# ASSEMBLY INSTRUCTIONS

**STEP 1** Do not tighten until each step is completed or instructed.

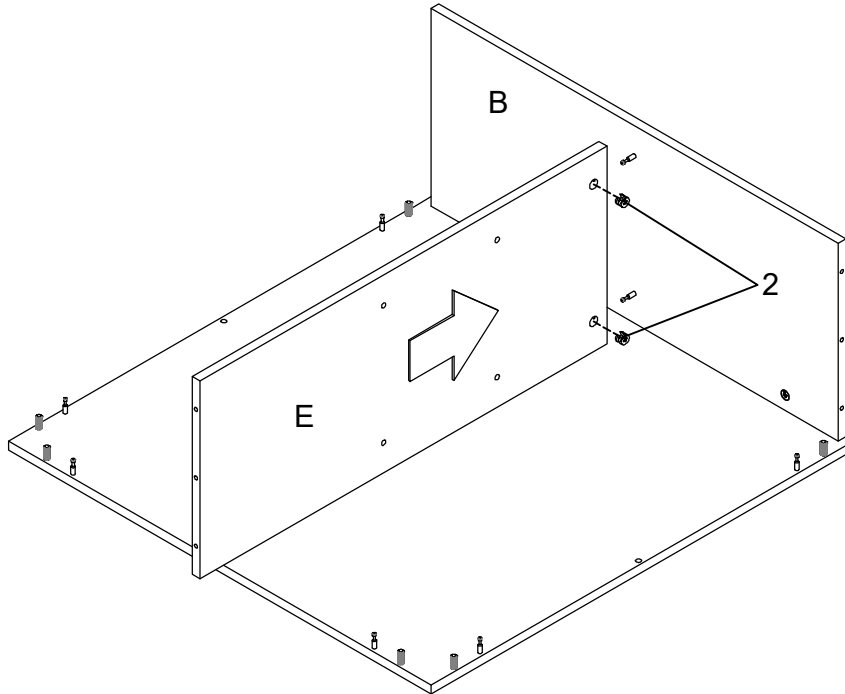


## STEP 2

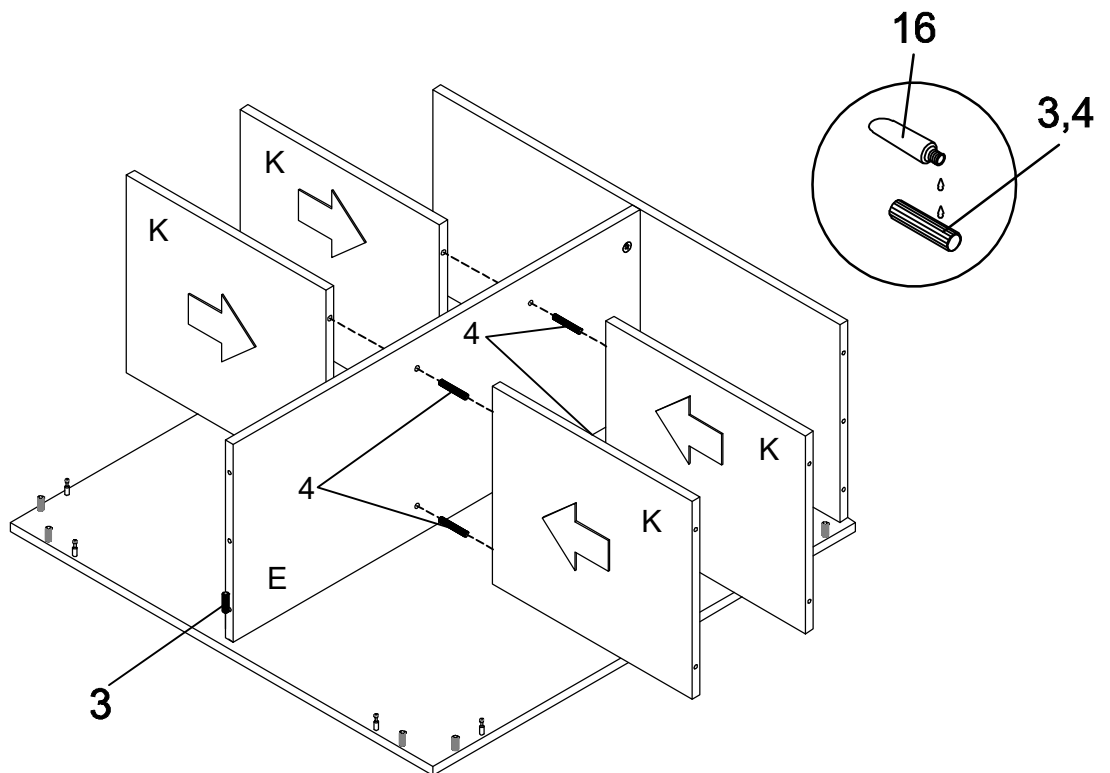


# ASSEMBLY INSTRUCTIONS

## STEP 3

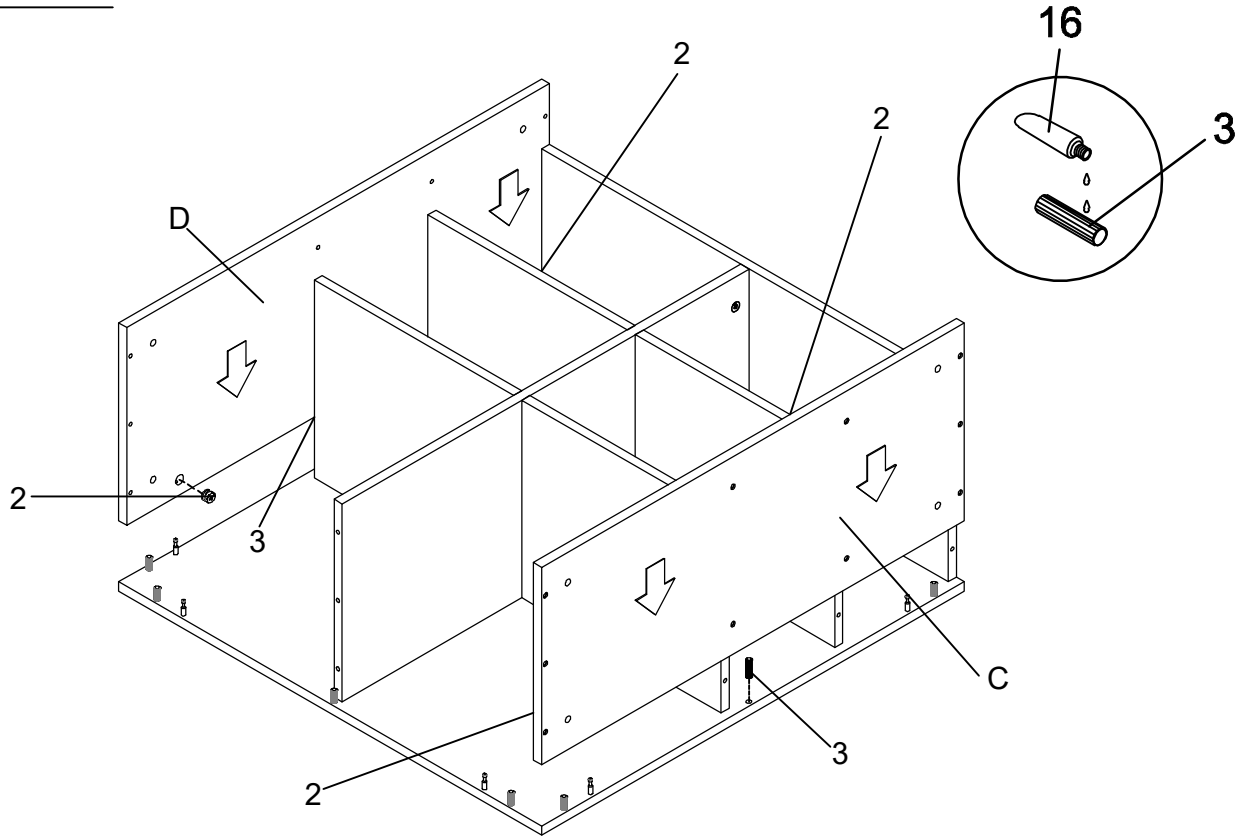


## STEP 4

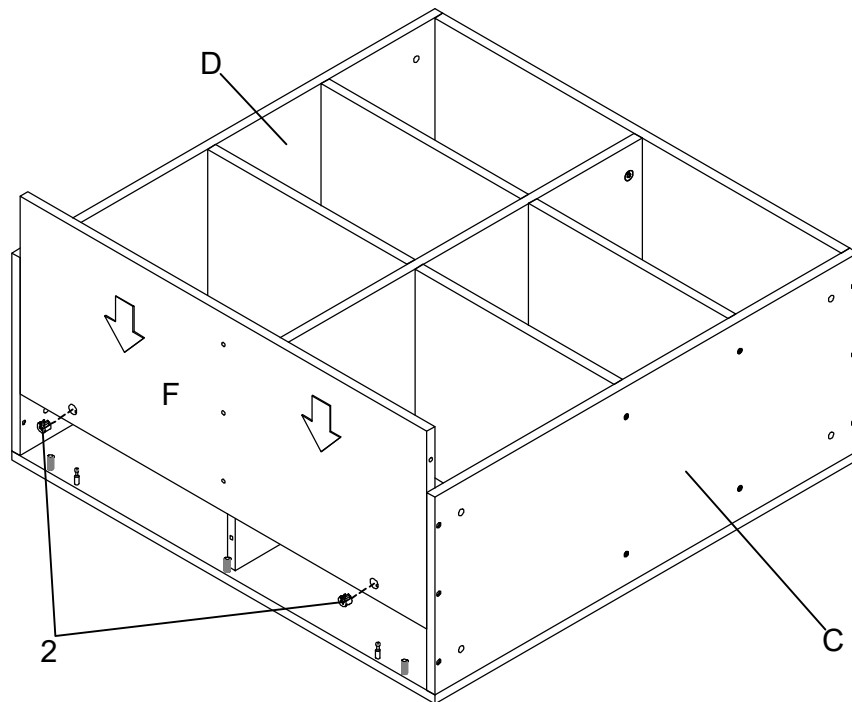


# ASSEMBLY INSTRUCTIONS

## STEP 5

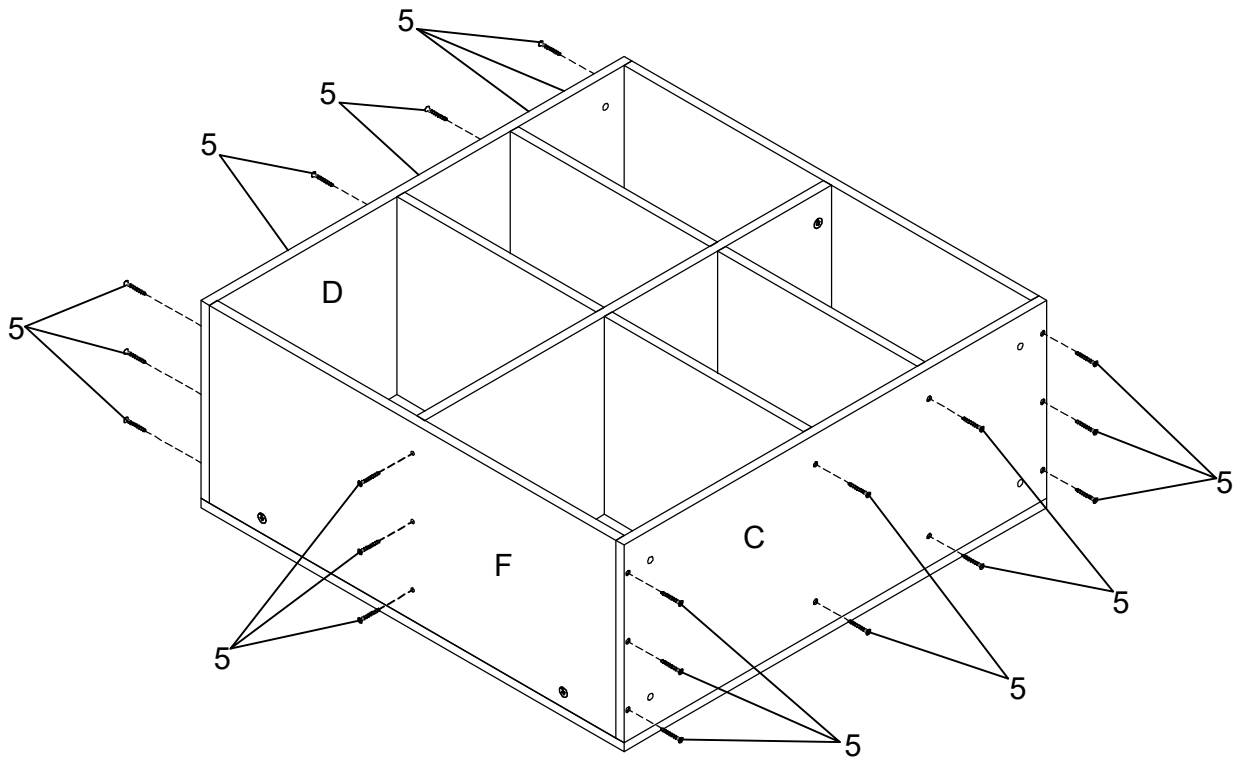


## STEP 6

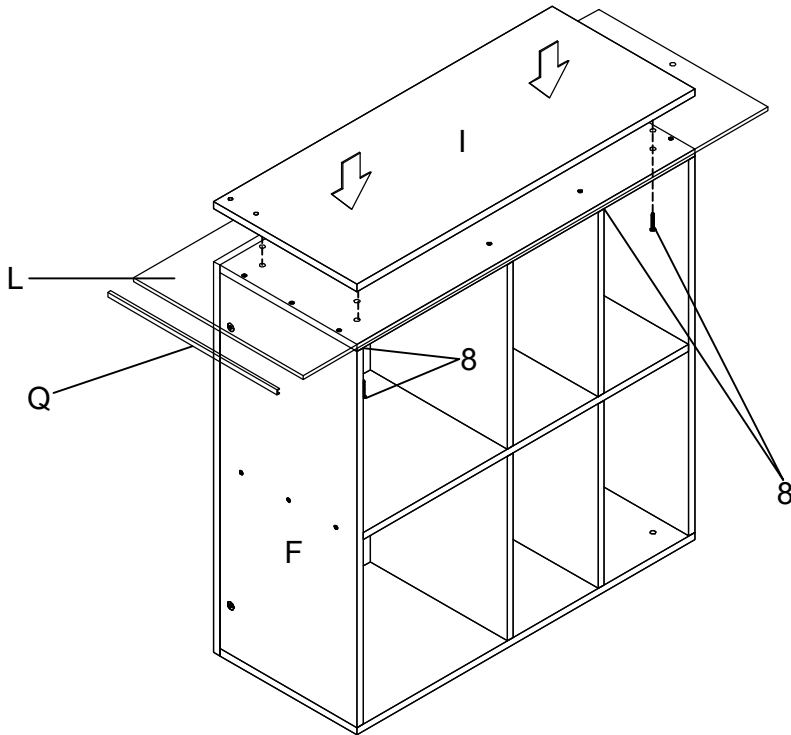


# ASSEMBLY INSTRUCTIONS

## STEP 7

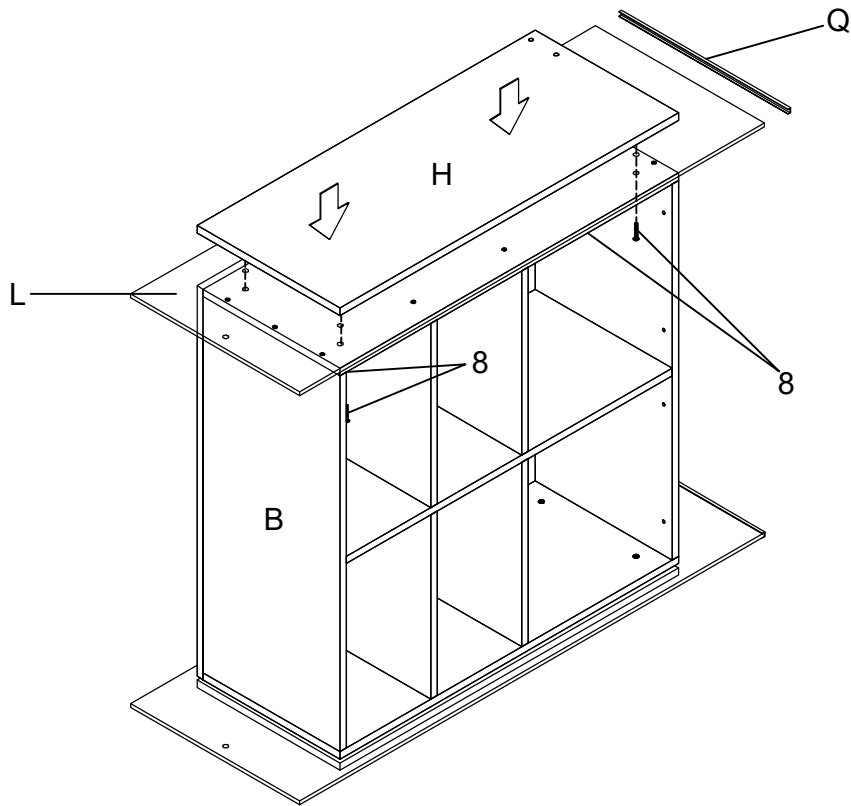


## STEP 8

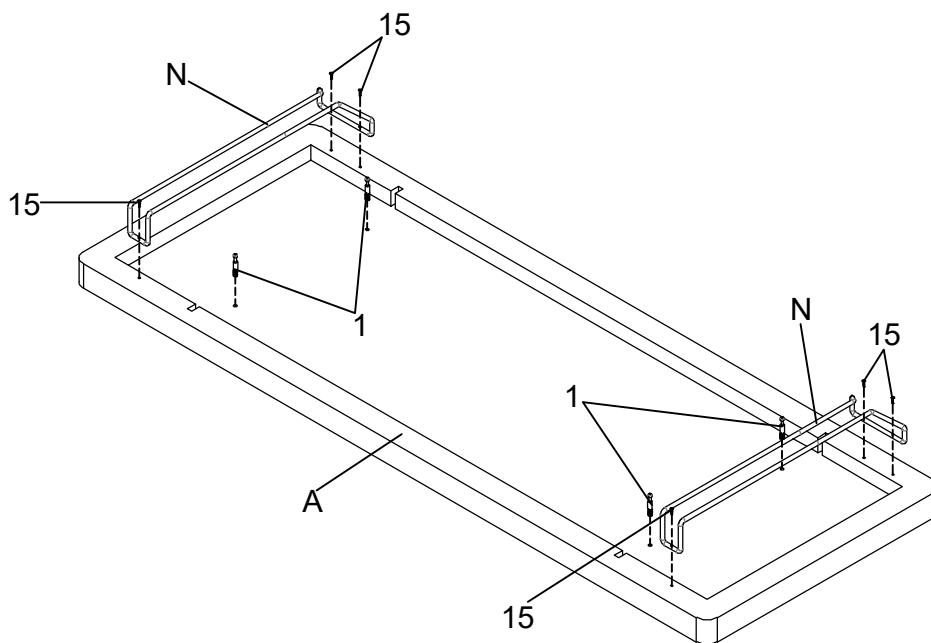


# ASSEMBLY INSTRUCTIONS

## STEP 9

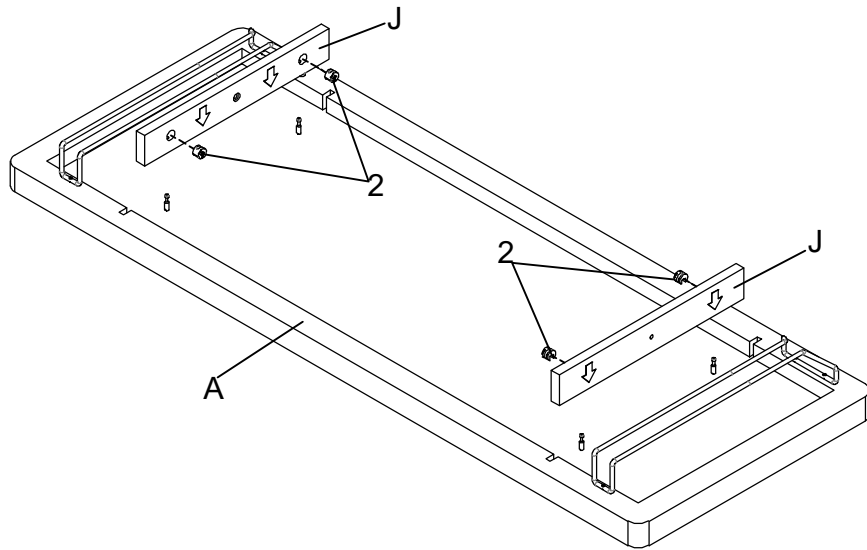


## STEP 10

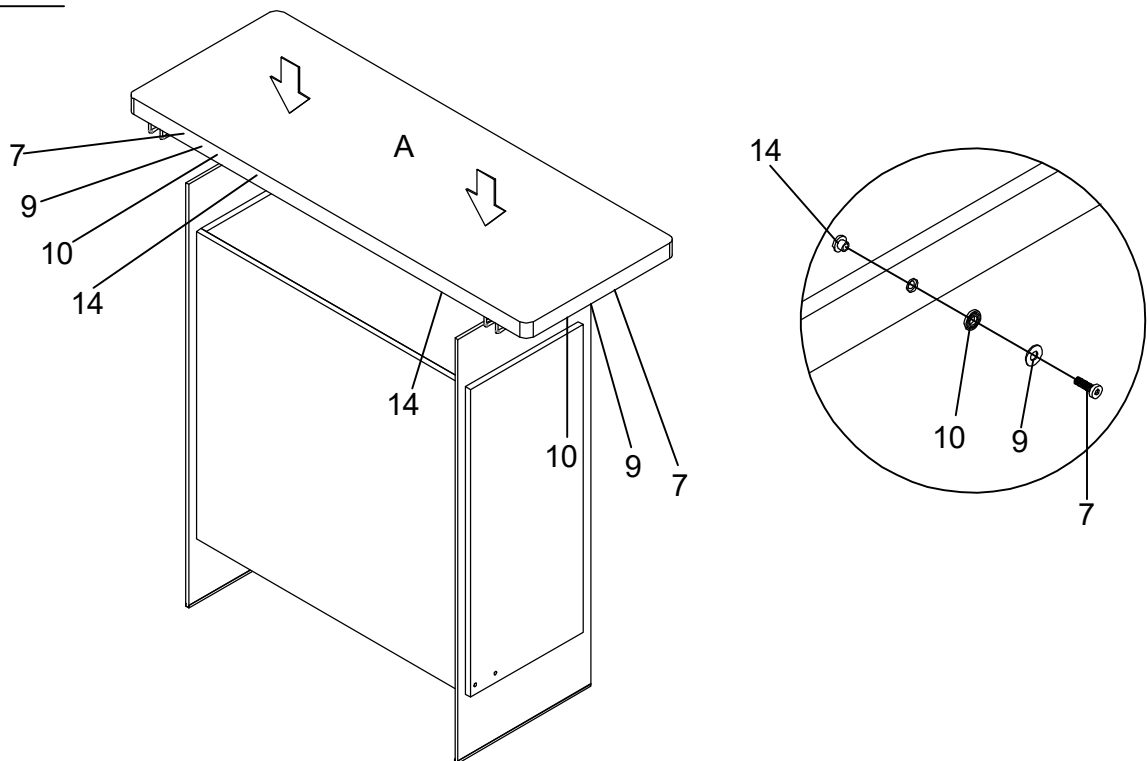


# ASSEMBLY INSTRUCTIONS

## STEP 11

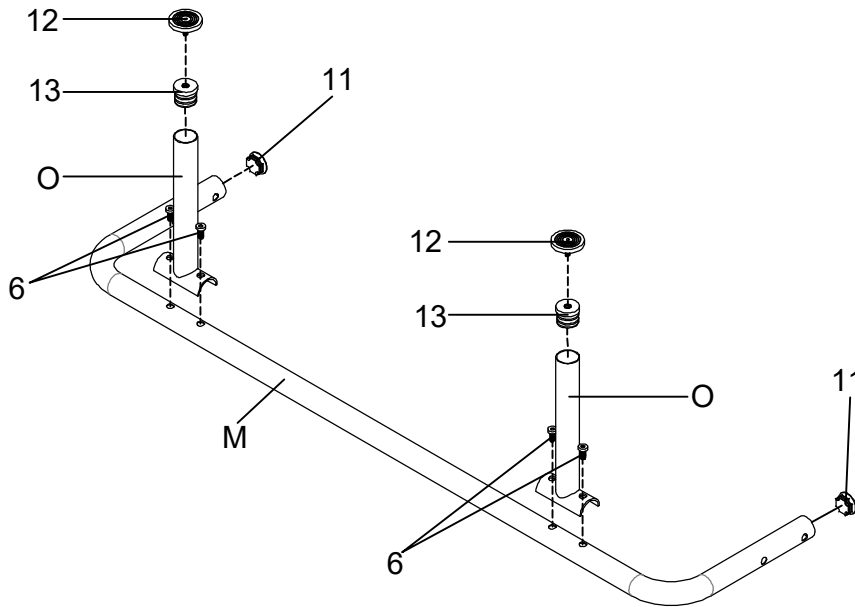


## STEP 12

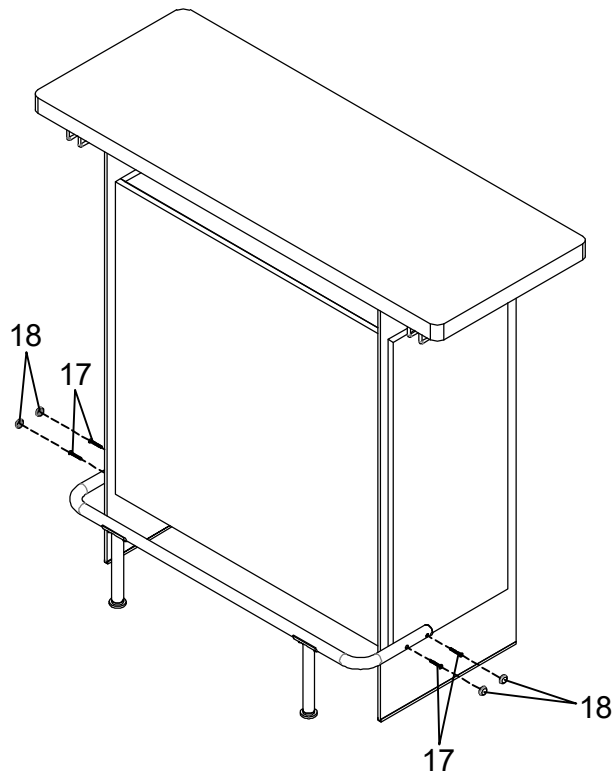


# ASSEMBLY INSTRUCTIONS

## STEP 13

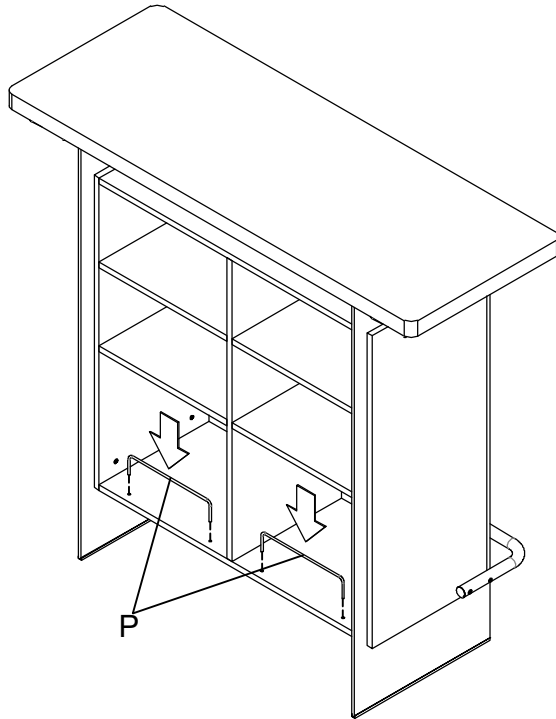


## STEP 14

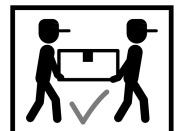
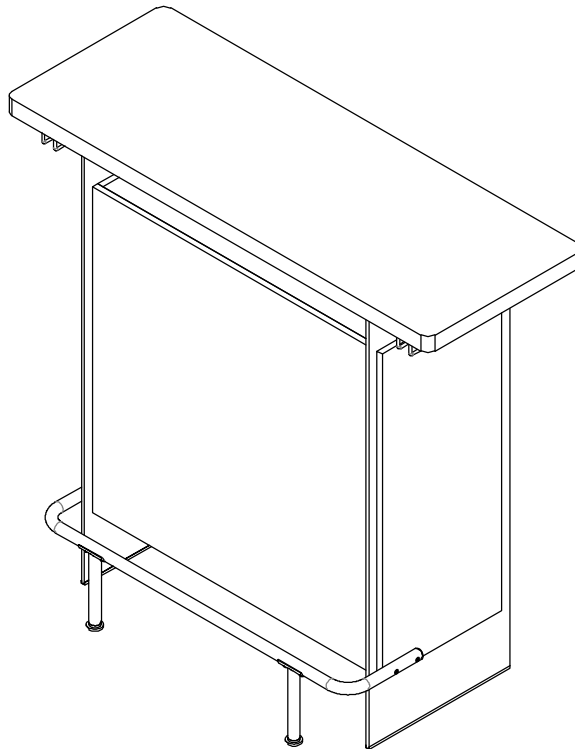


# ASSEMBLY INSTRUCTIONS

## STEP 15



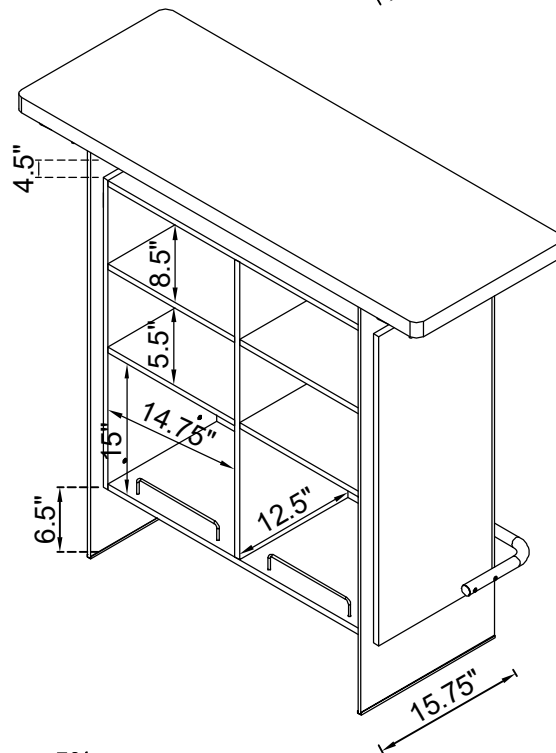
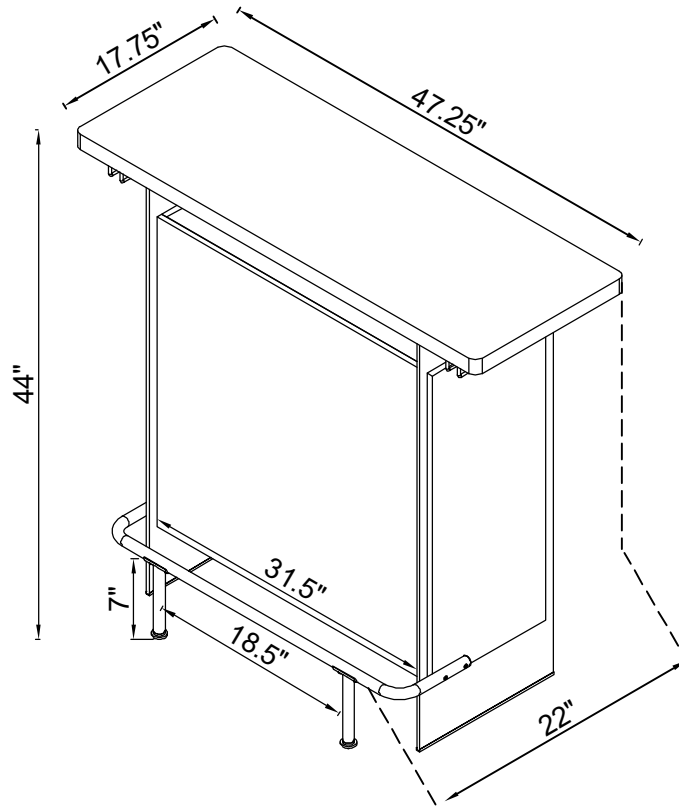
## STEP 16 COMPLETE



# ASSEMBLY INSTRUCTIONS

Product Size : 1200 X 560 X 1120 H (MM)

Product Size : 47.25" X 22" X 44"



Note : Dimension tolerance  $\pm 5\%$