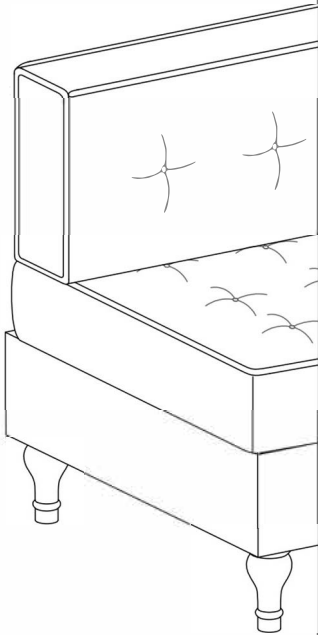


# Owner Manual



# WARRANTY

We strive to offer high quality product and we also try our best to satisfy each customer that order from us, no matter on products or services as needed. Each customer receives a record of their order, such as the order number or item receipt. For any items that are out of warranty period, you may still be able to purchase the replacement parts from our company if they are available.



# MAINTENANCE AND WARNING

Please read the manual thoroughly  
before you start installing.

Please keep the product away from  
sharp object.

Packaging and small parts may have  
chocking hazard, please keep them away  
from children and pets.

Please clean the product according to each  
clean code, check the product description  
for more information.

Please keep the product away from  
fire.

If you have any other questions, please  
contact us, we will be glad to help you out.

If the product is placed under direct  
sunlight, the pattern or color might fade  
away overtime.

Check the product periodically to make  
sure everything is secured and tightened.

Always use proper tools for installation.

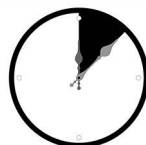
Do not jump on the product.



Two people



0-3



Around 35 min

# PRODUCT DESCRIPTION

Premium Upholstery – Corduroy fabric adds warmth, texture, and durability, making the sofa visually appealing while remaining easy to maintain.

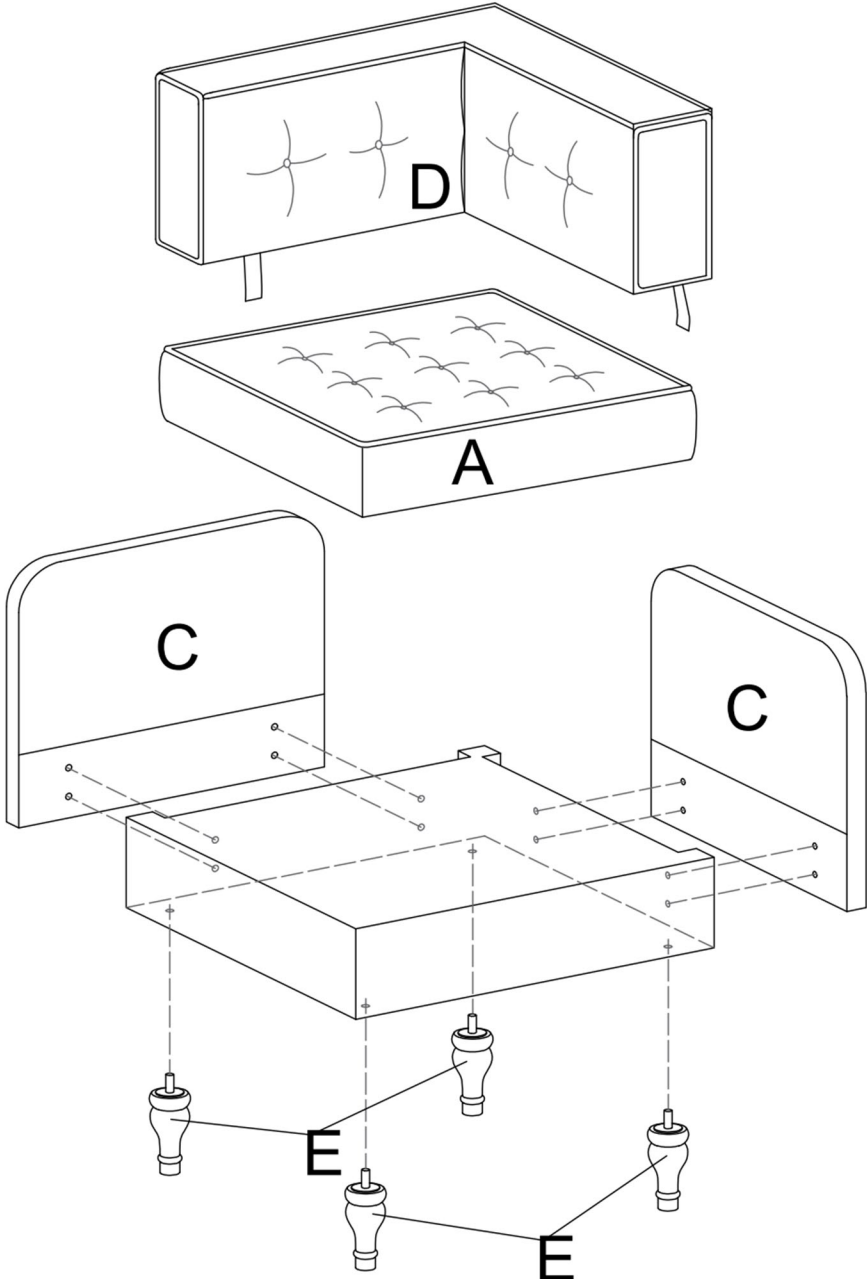
Solid Construction – Built with a solid wood frame and wooden legs, this piece ensures stability and strength for long-term use.

Comfortable Padding – Cushions are generously filled with foam sponge and synthetic fiber, balancing softness with reliable support.

Reinforced Support – Serpentine springs beneath the seating enhance resilience, preventing sagging and maintaining lasting elasticity.

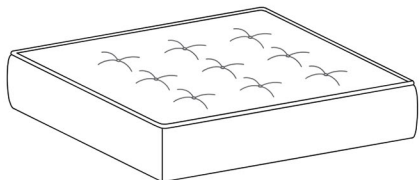
Modular Design – Use as a standalone seat or combine with matching units to create a customized sectional layout for any space.

# EXPLODED VIEW



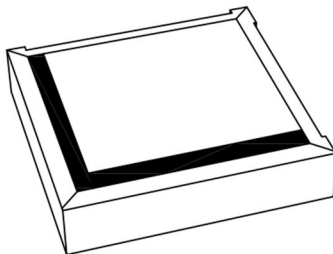
# PARTS

A\*1



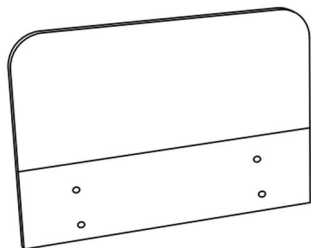
Seat cushion

B\*1



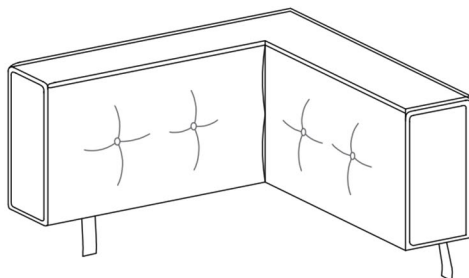
Seat frame

C\*2



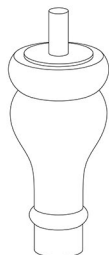
Backrest

D\*1



Back cushion

E\*4



Wooden legs

# HARDWARE

## TOOL LIST

NOTE: Designated with (★) We provide additional spare parts in the hardware package

①\*9



★ Screw

②\*9



★ Flat washer

③\*9



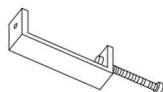
★ Spring washer

④\*1



Allen key

⑤\*1

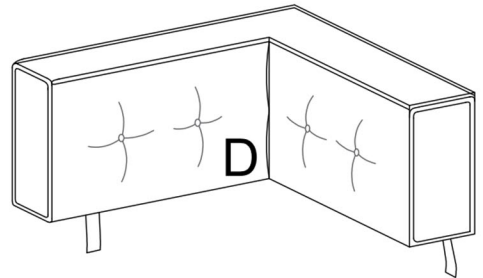
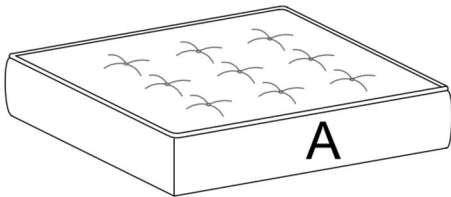
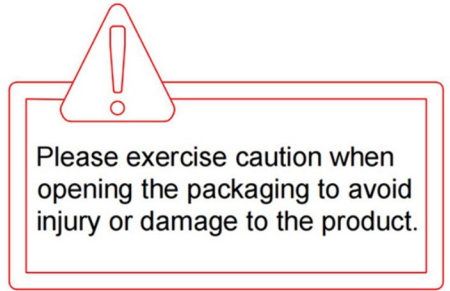
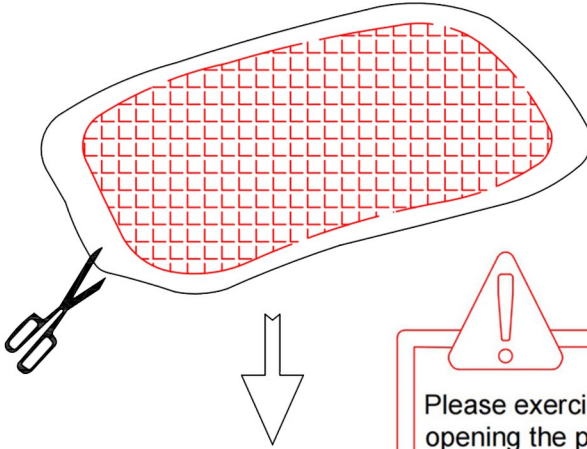


Hook

Please make sure all hardware & packing material fitting the list. Especially some small accessories may be missing during transportation. Please contact us if you have any question.

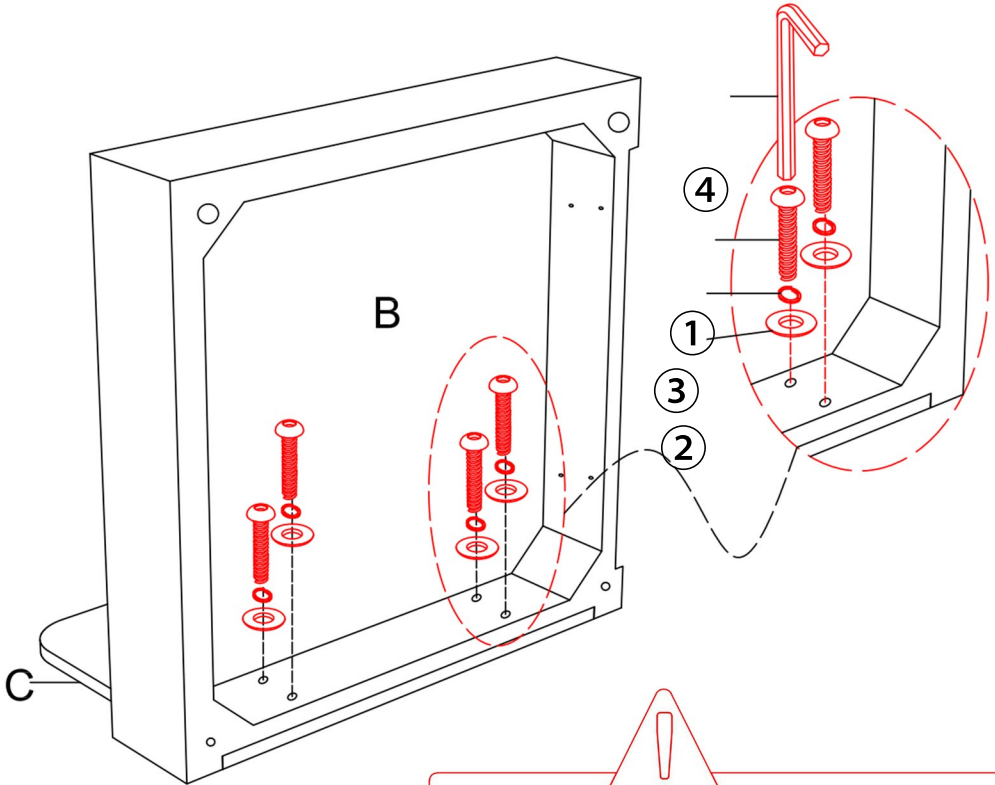
# step 1 ---Cut the plastic air compression bags

Cut the plastic air compression bags, and take out cushions (A) and (D). Place them on the side for recover to their original shape, the whole process might take up to **48** hours, you may gently slap on them to speed up the process.



# step 2 ---Install the Backrest (C)

Place the sofa Frame (B) in the indicated position. Insert four screws (1), flat washers (2), and spring washers (3) into the pre-drilled holes. Then, position the backrest/armrest (C) next to the sofa frame (B) as shown. Align all screw holes and tighten them using the provided allen wrench (4).

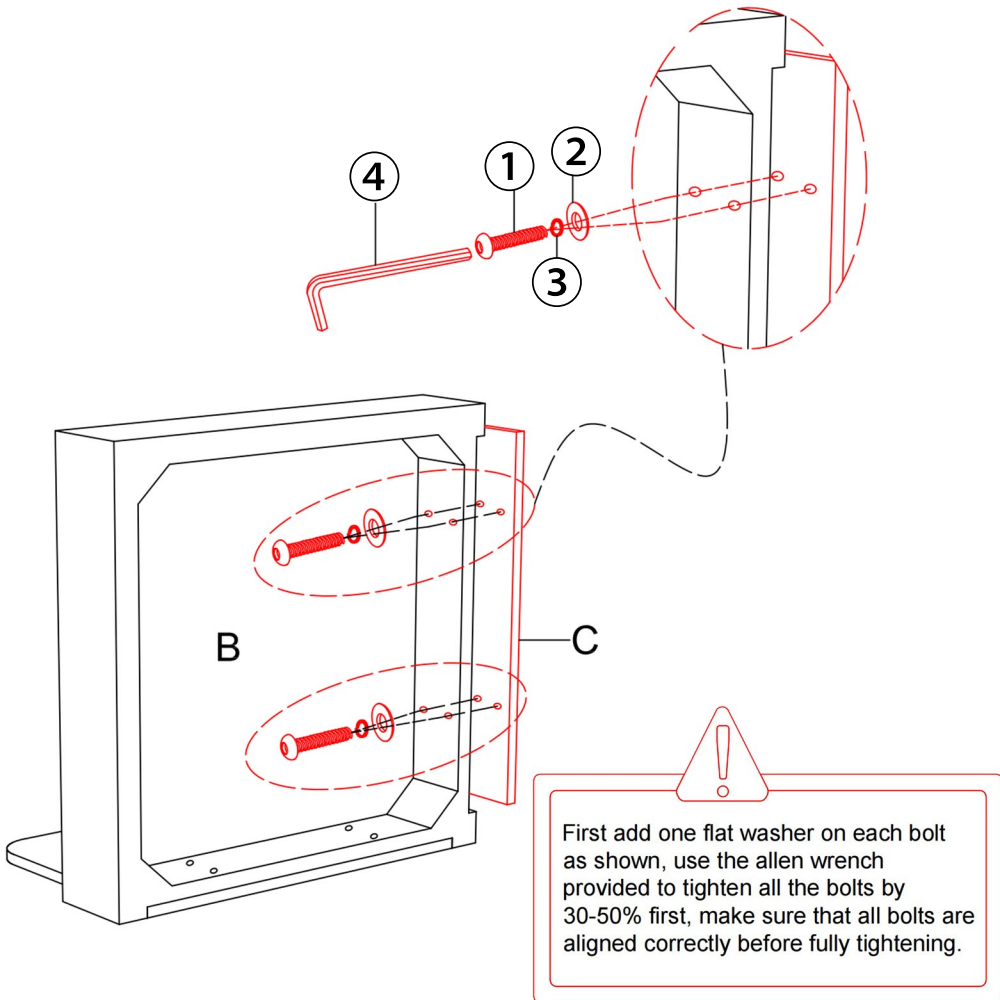


**!**

First add one flat washer on each bolt as shown, use the allen wrench provided to tighten all the bolts by 30-50% first, make sure that all bolts are aligned correctly before fully tightening.

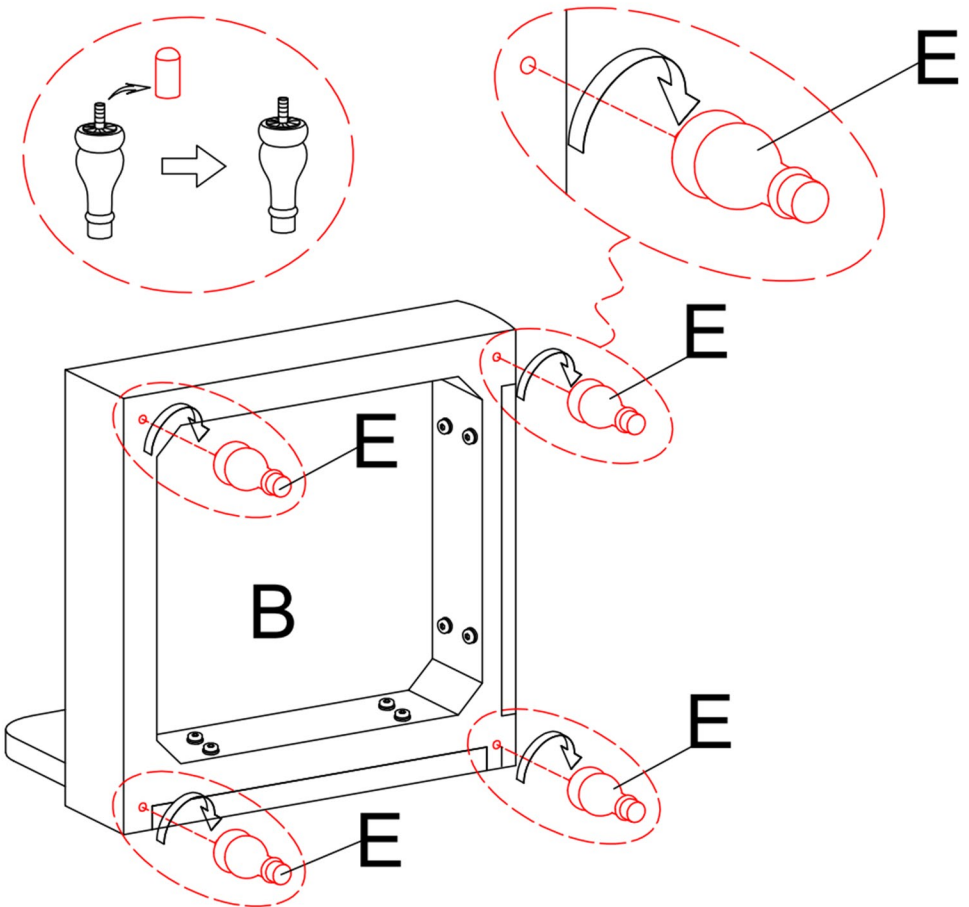
# step 3 ---Install the Backrest/Armrest (C)

Align the backrest/armrest (C) with the sofa frame (B) as shown, insert four screws (1) along with flat washers (2) and spring washers (3) into the pre-drilled holes. making sure all screw holes match. Finally, use the provided allen wrench (4) to securely tighten all screws.



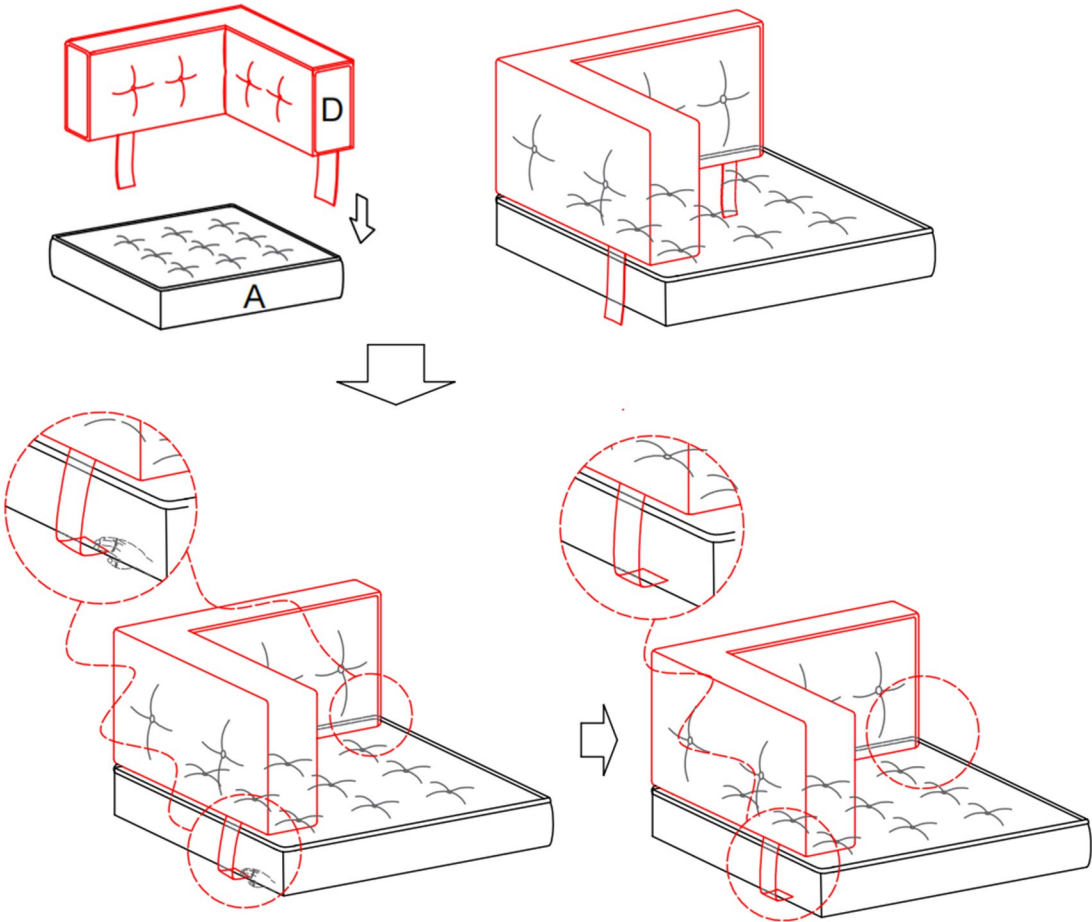
# step 4 ---Install the Legs (E)

Please remember to remove the plastic caps from all sofa legs before attaching them. Flip the wooden sofa frame (B) over as shown. Gently twist each sofa leg (E) clockwise to screw it into the pre-drilled holes at all four corners of the frame.



# step 5 ---Attach the back cushion to the seat cushion.

Attach the Velcro bands from the back cushion to the bottom of the seat cushion. This connection will prevent the cushions from shifting during use.

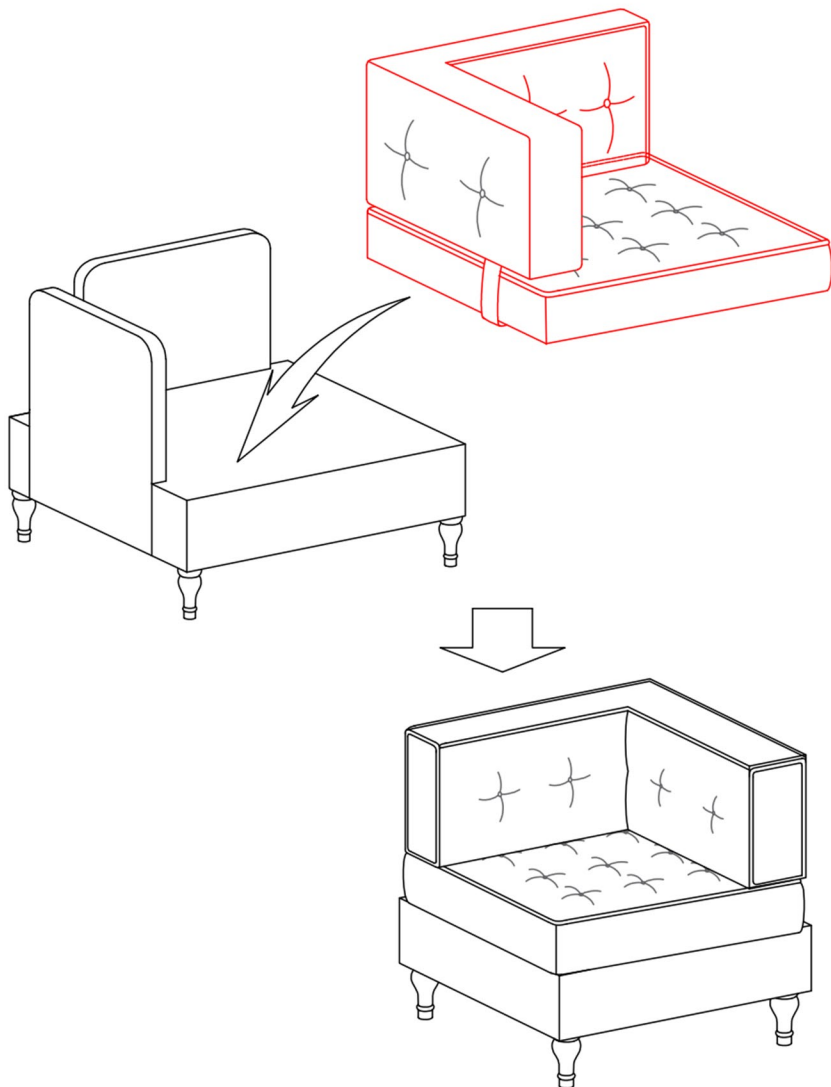


# step 6 ---Attach the back cushion to the seat cushion.

Place the preassembly part on it.

Assemble complete! Thank you for choosing our product!

Please enjoy!



# step 7

There is a metal hook inside the carton as a free part.

If you only purchased single part of the sofa, this hook will not be useful.

If you want to be combined with other sofa components (ottoman, chair, chaise etc), this hook can be used. Just use this hook to fix two parts together from the bottom to prevent displacement while using the products.

