



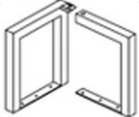





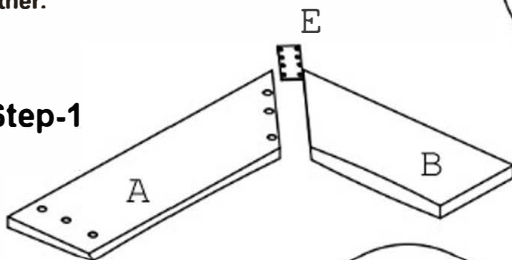
ASSEMBLY INSTRUCTION

Thank you for purchasing this quality product. Be sure to check all packing material carefully for small parts that may have come loose inside the carton during shipment. Turn the table top upside down on carpet or soft surface, and place the legs C & D on top and align them as per the position of the d nuts. Loosely thread all screws/bolts first. Then turn the table to its correct position and completely tighten the bolts.

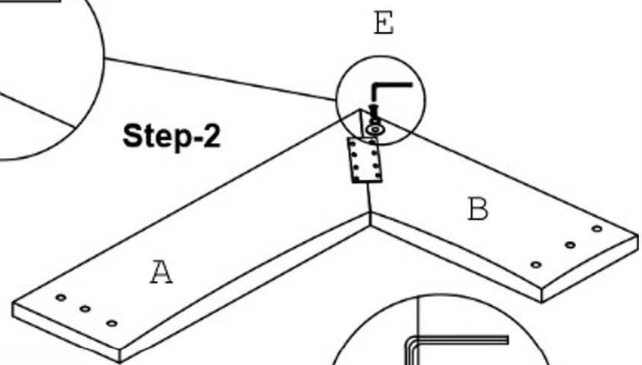
NO	Description	Sketch	Quantity	NO	Sketch	Description	Size	Quantity
A B	Top		2	F		Allen Bolt	1-1/4"	21+1
C	Leg		2	G		Lock washer	1/2"	21+1
D	Corner Legs (C Shaped & Rectangular)		2	H		Flat washer	1"	21+1
E	Iron Strip		1	I		Allen Key	5mm	1

Please match the inner edges of both the tops, to insure they are flushed with each other.

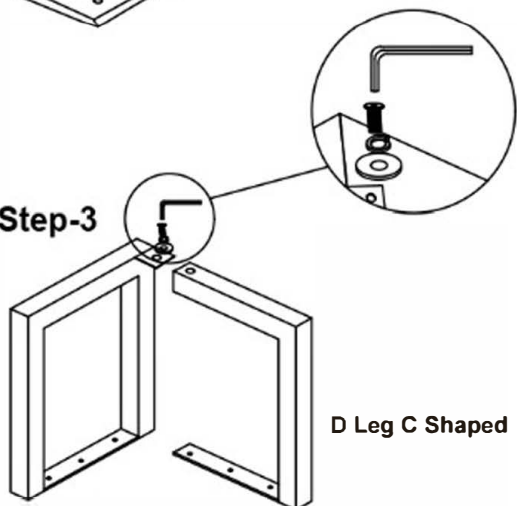
Step-1



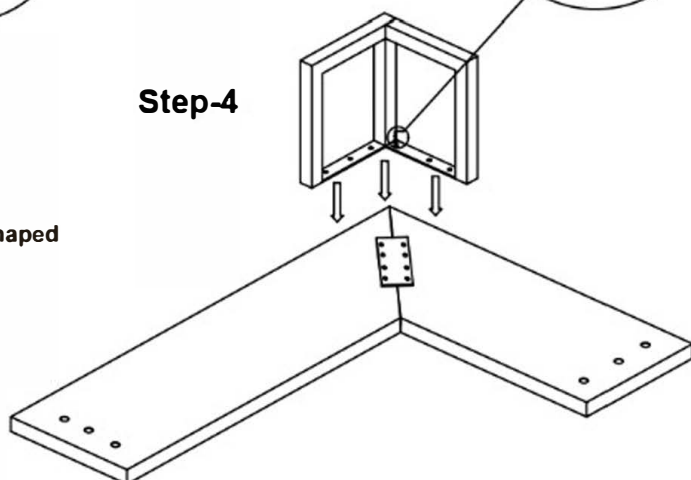
Step-2



Step-3

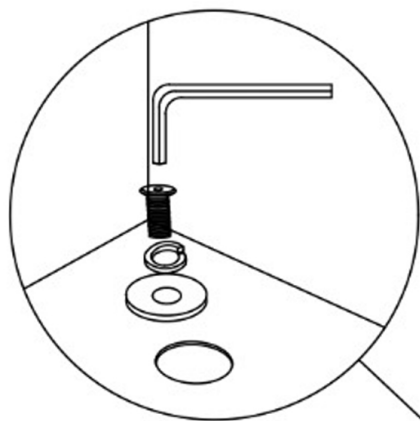


Step-4

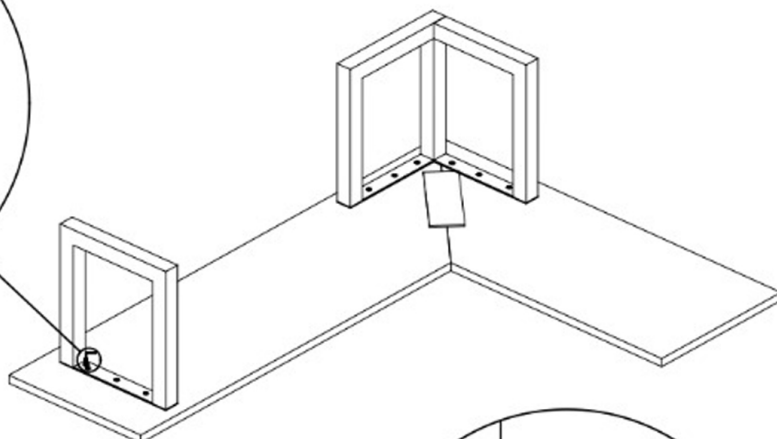


D Leg C Shaped

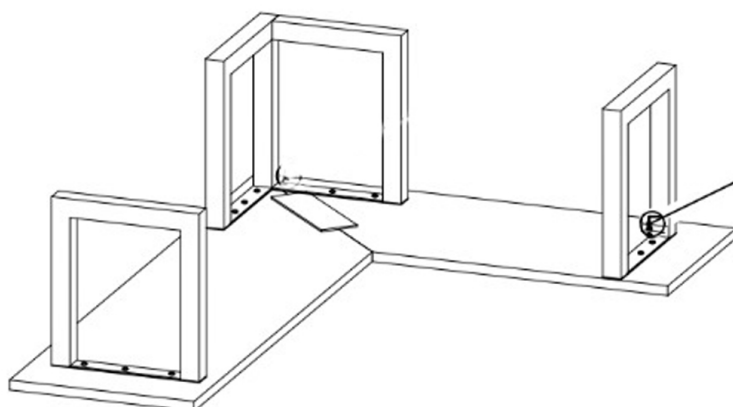
D Rectangular



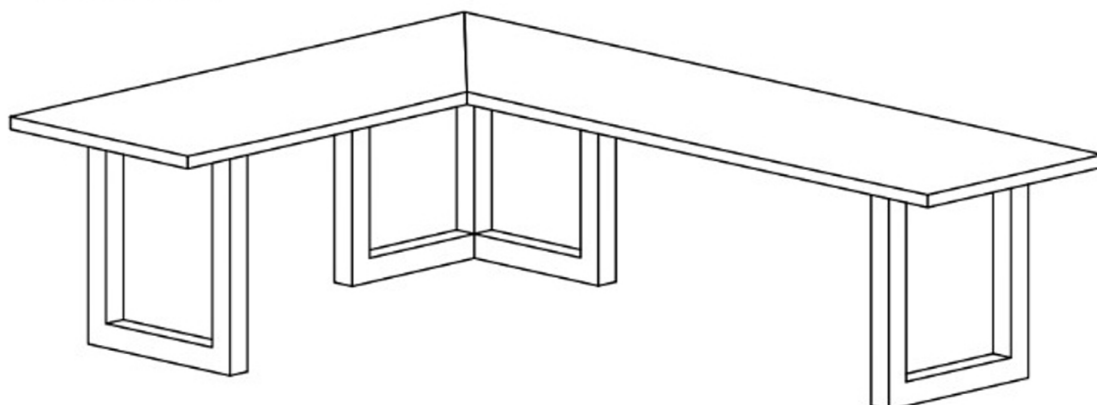
Step-5



Step-6



Final Product



Tip for levelling of product:
When the product rests on an uneven floor surface
It will appear to be unbalanced. To aid in Levelling,
try adjusting the levelers located on the bottom of each foot.