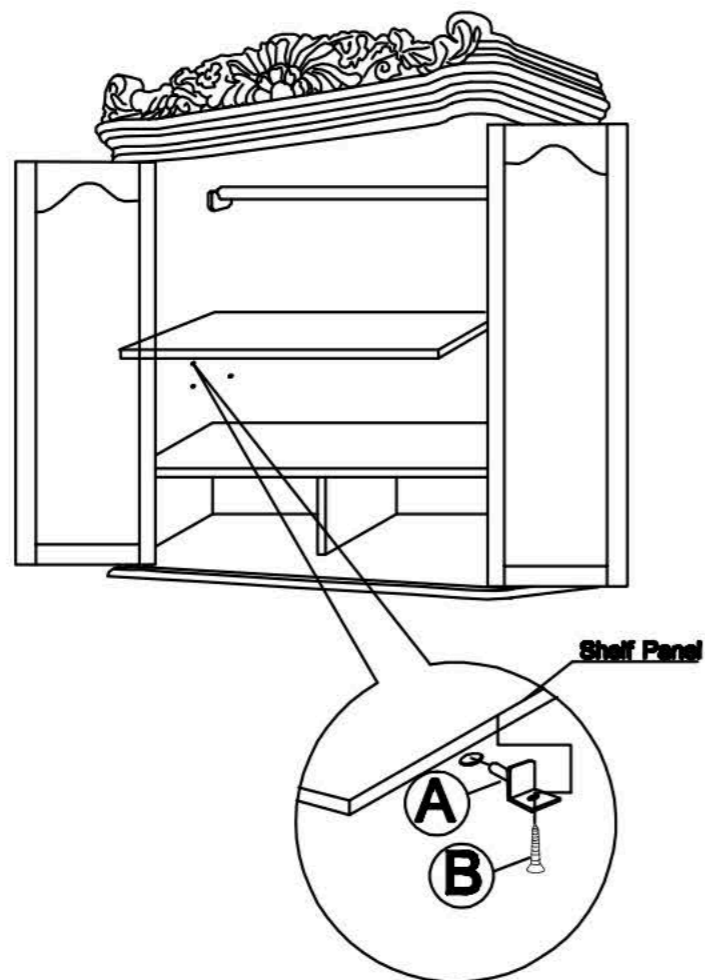
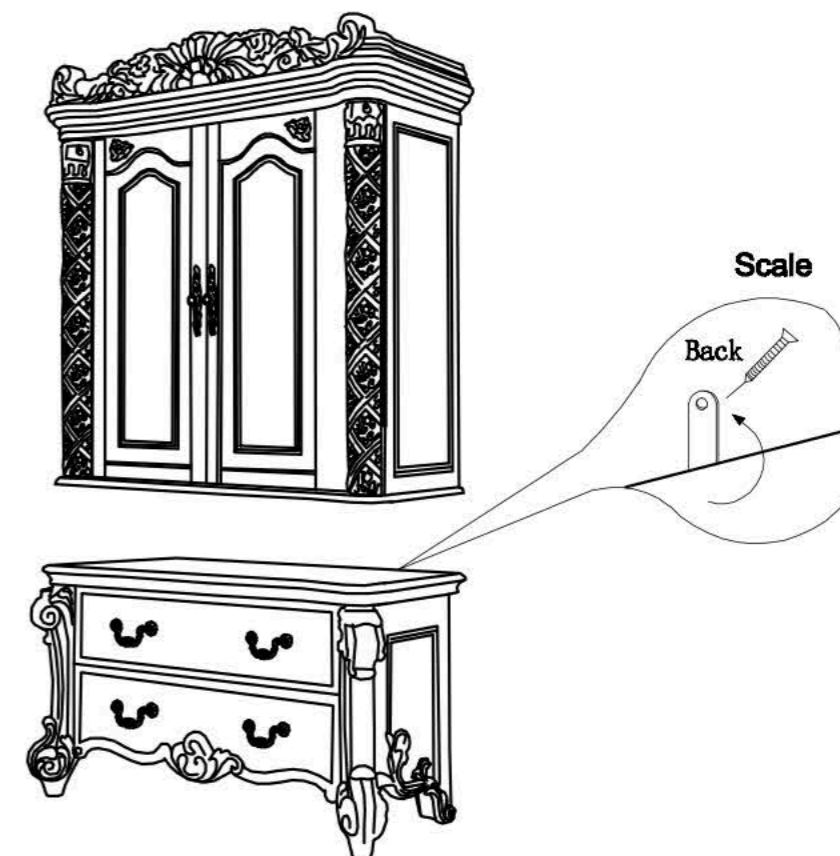


ASSEMBLY INSTRUCTION

Step 1:





Step 2:



Finish:



Hardware List:

No.:	Description	Drawing	Size	Q' ty
A	Pins		Ø6	4
B	Wood Screw		Ø3 X 12MM	4