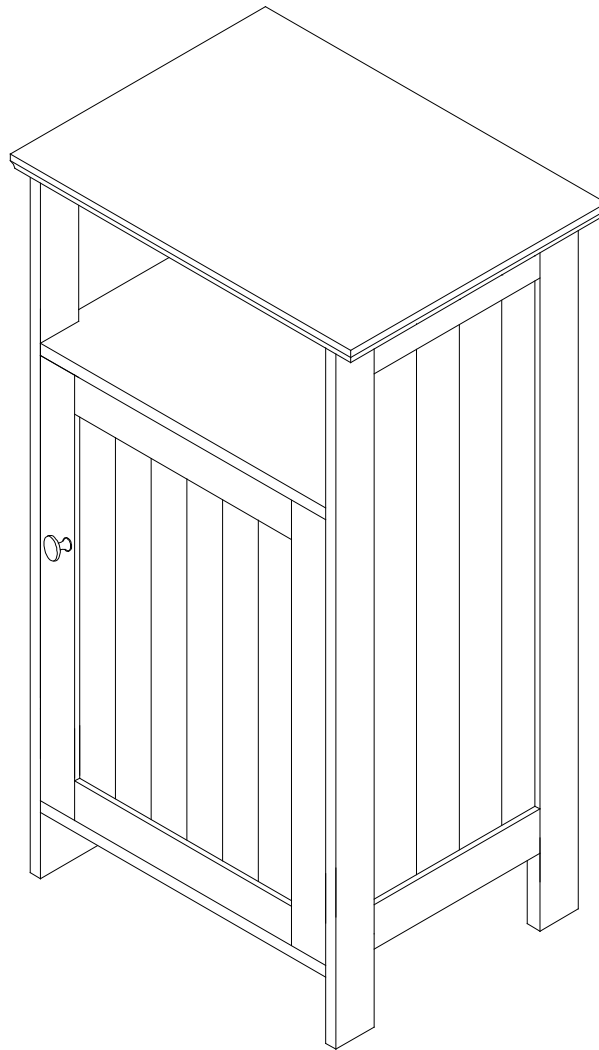
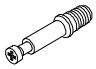


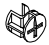









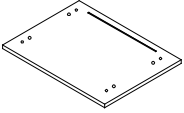
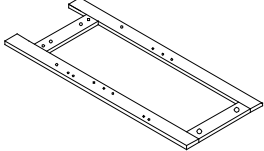
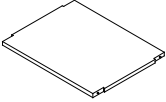
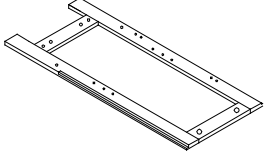
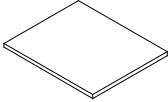
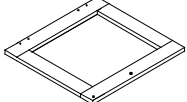
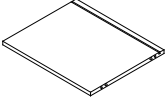
# Assembly Instructions



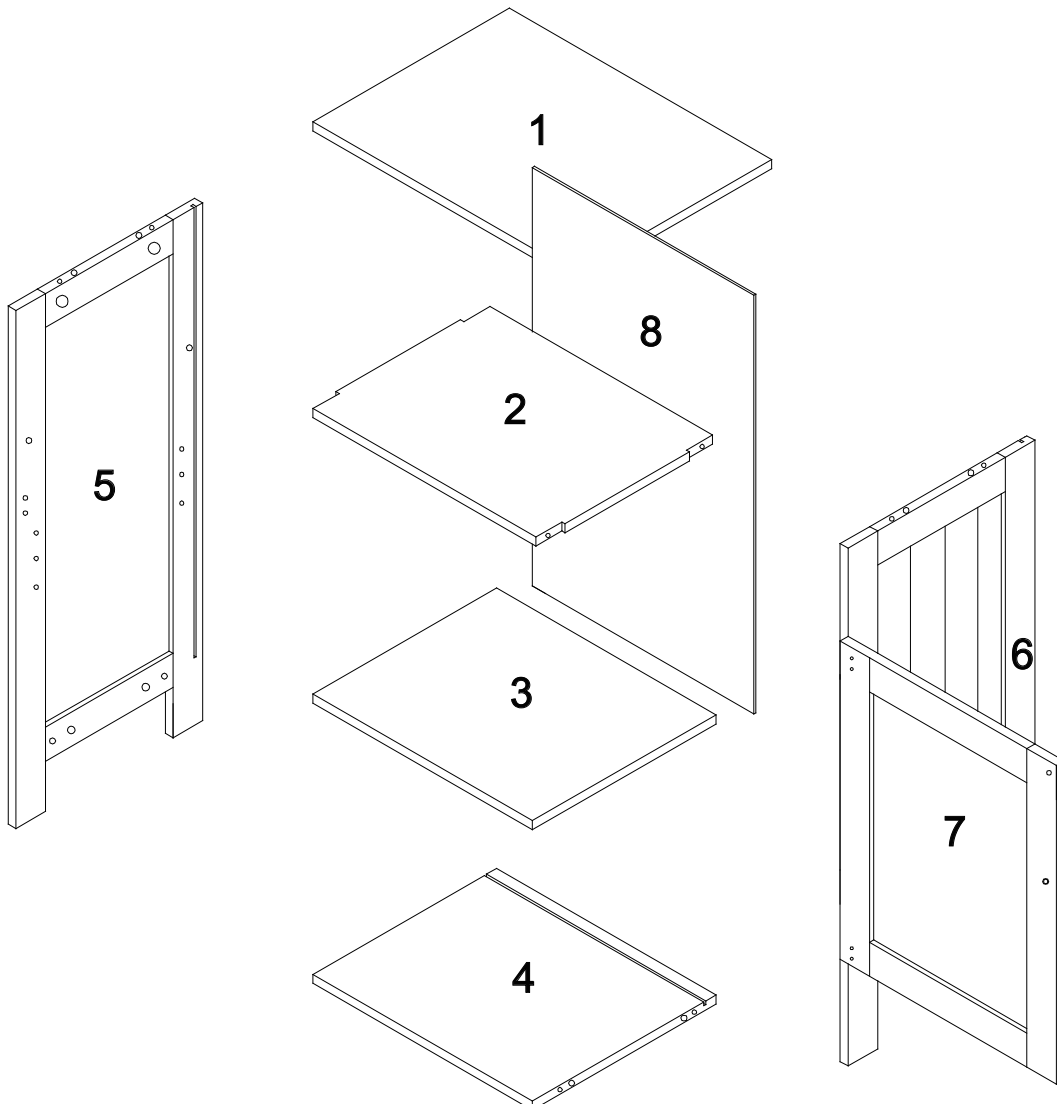
## Hardware List

<b>A</b>		8 pcs	<b>E</b>	 3*14mm	2 pcs	<b>I</b>		1 pc
<b>B</b>		8 pcs	<b>F</b>		2 pcs	<b>J</b>		1 pc
<b>C</b>		12 pcs	<b>G</b>		4 pcs	<b>k</b>		1 pc
<b>D</b>	 3*10mm	5 pcs	<b>H</b>		1 pc			

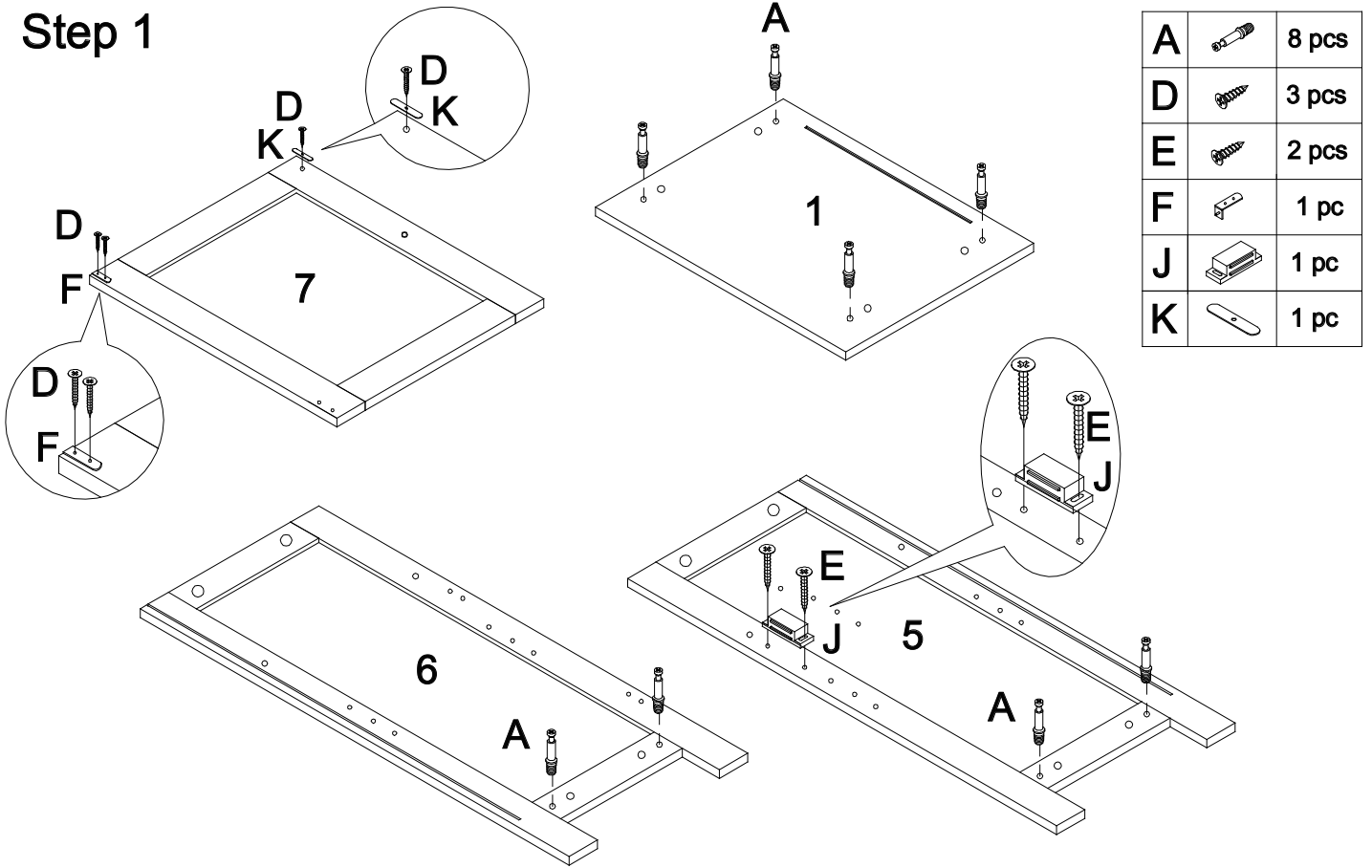
# Parts List

1		1 pc	5		1 pc
2		1 pc	6		1 pc
3		1 pc	7		1 pc
4		1 pc			

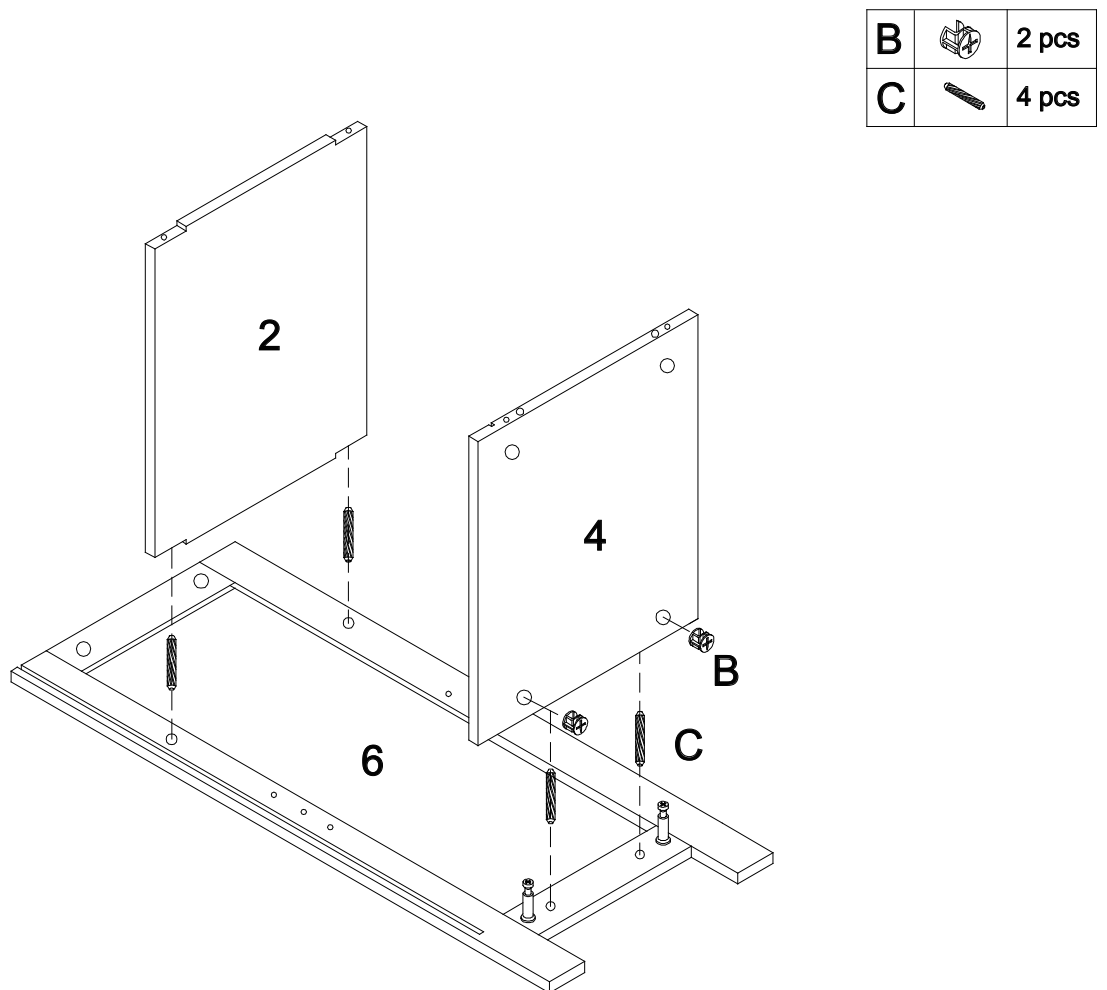
## Part List Assembly Overview



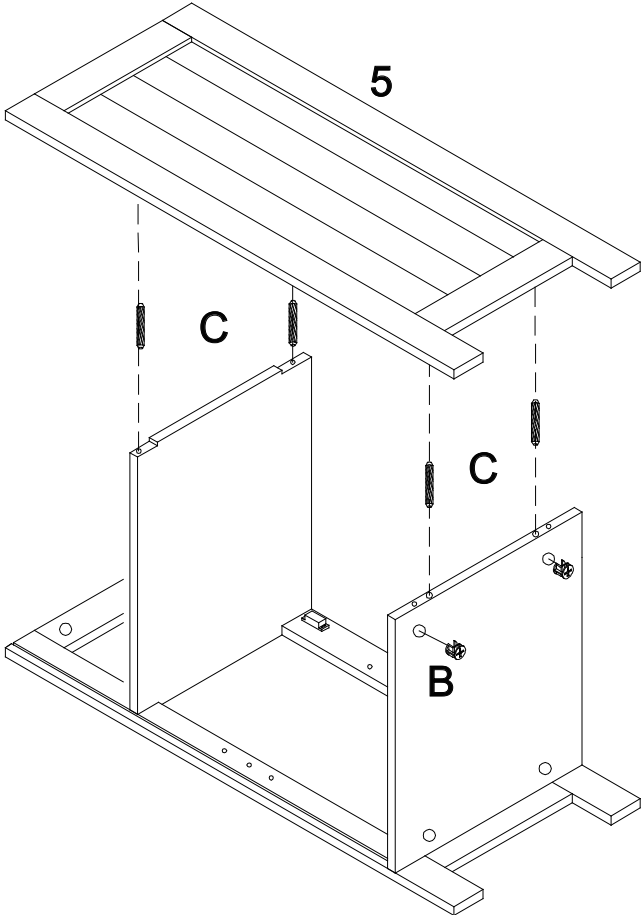
# Step 1





# Step 2



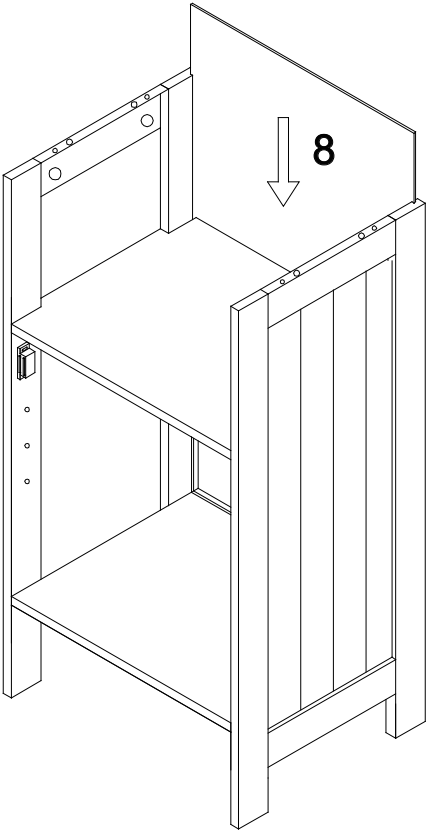
# Step 3



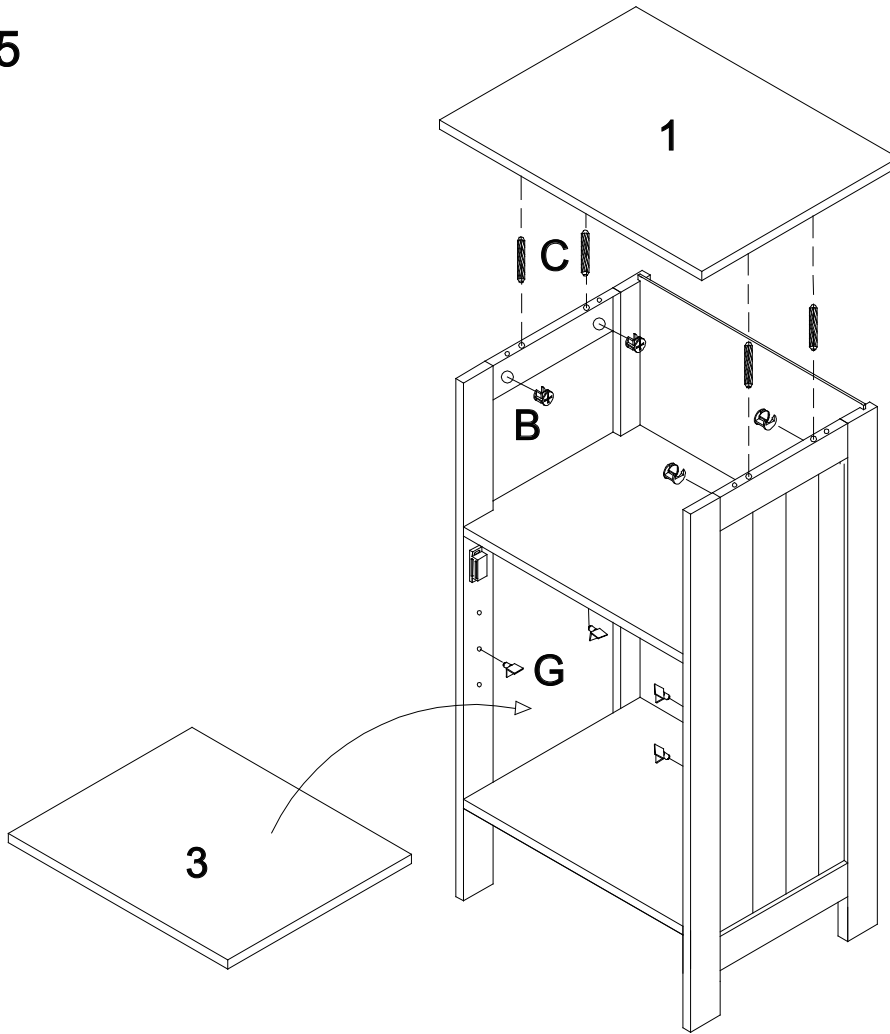
<b>B</b>		2 pcs
<b>C</b>		4 pcs

---

# Step 4

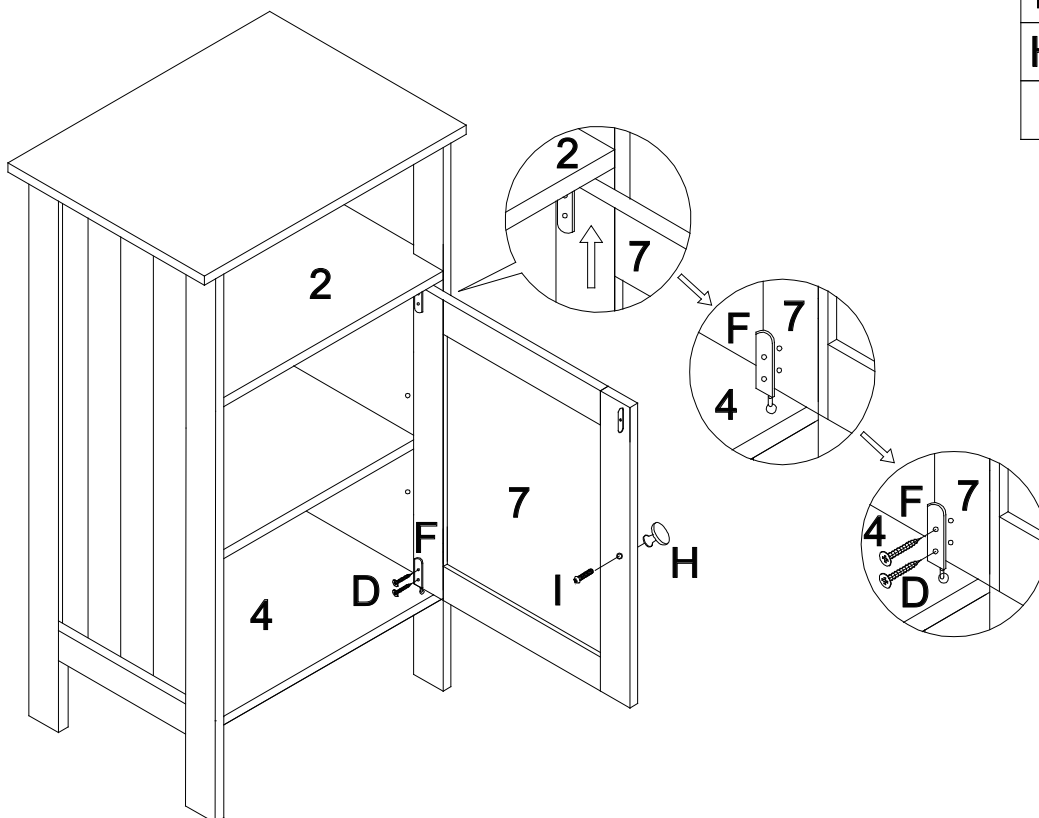


# Step 5



<b>B</b>		4 pcs
<b>C</b>		4 pcs
<b>G</b>		4 pcs

# Step 6



<b>D</b>		2 pcs
<b>F</b>		1 pc
<b>H</b>		1 pc
<b>I</b>		1 pc