

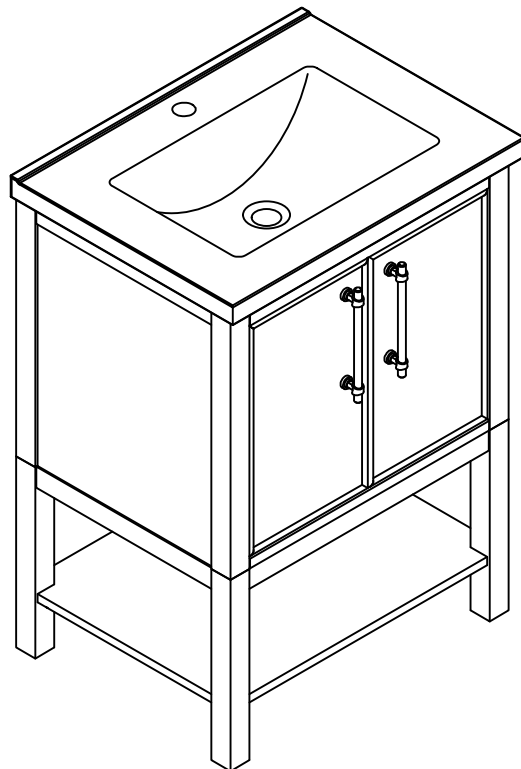
### ***Thank you for Shopping with us!***

*We hope we were able to provide your home with the perfect vanity. This vanity has been constructed with design, quality and functionality in mind. We hope you enjoy this new addition!*

***Your feedback is invaluable to us and we would love to hear about your experience. Please take the time to leave us a review.***

---

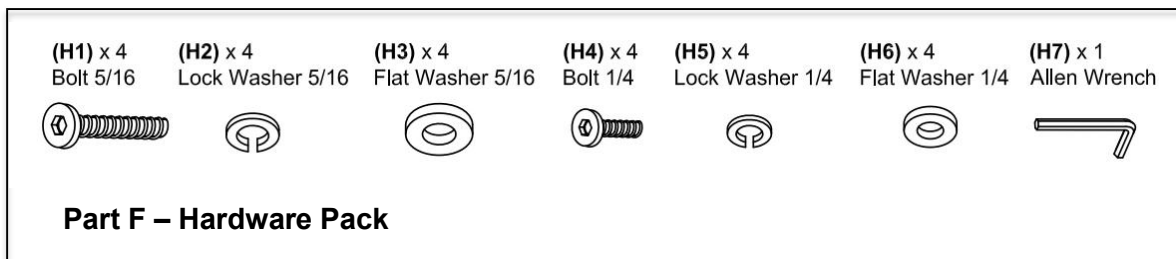
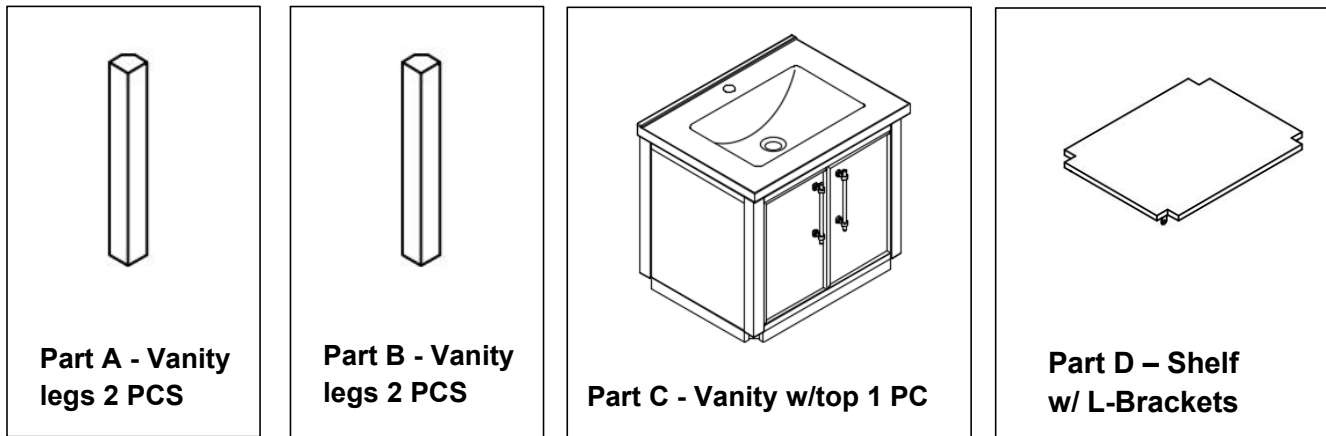
We encourage you to take a few minutes to go through this booklet. It contains important information on installation and care tips to keep your furniture looking as good as new.



# 24" Bathroom Vanity

Before assembly and installation, please check and ensure you received the items in the below "Part List". Please report any missing items to your retailer immediately.

## Part List

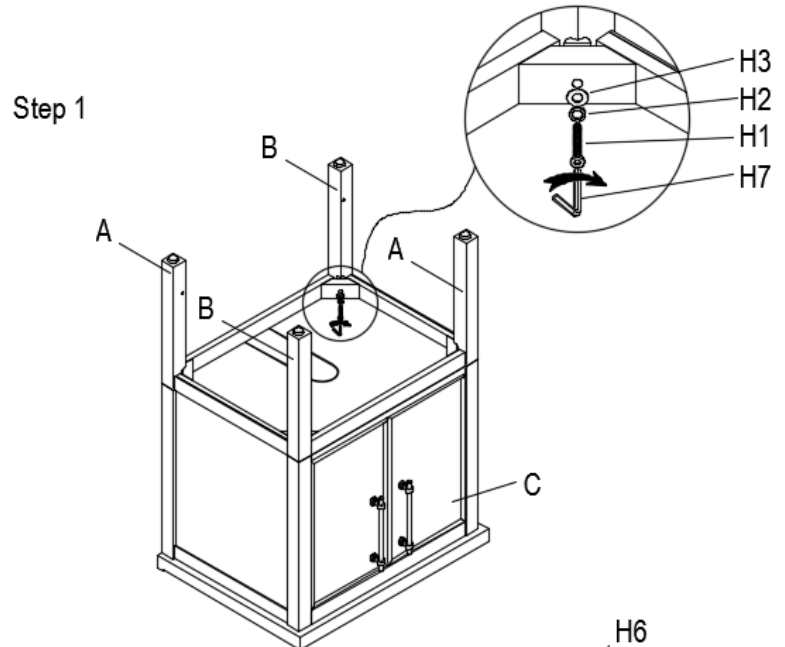


## NOTES, ASSEMBLY AND INSTALLATION

- Faucet, Drain, Silicone and all other plumbing components are not included.
- Handling will require two people.
- Ensure the vanity is installed on a level floor. Unevenness can cause the vanity to become misaligned, resulting in twisting of the cabinet. Balance any uneven areas by using the adjustable levelers.
- Ensure all building & plumbing codes are respected. Professional installation recommended.
- Follow below steps for assembly and installation.

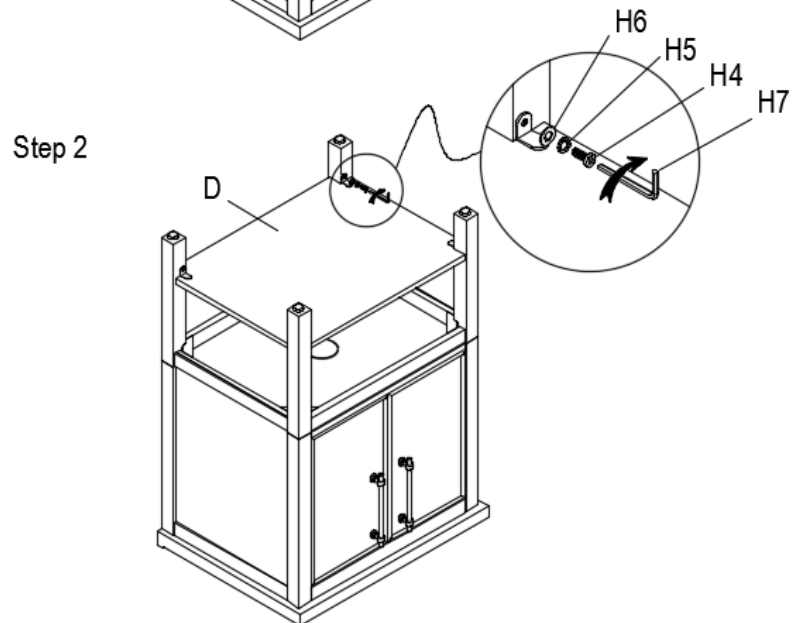
## STEP 1:

- Place the vanity face down on a soft surface to begin assembly.
- To attach the four vanity legs including part A and B, ensure to place part 'A' legs in the location marked for part 'A' and part 'B' legs in the location marked for part 'B'.
- Using the larger hardware (5/16 size) enclosed in the hardware pack, including the 4 bolts (H1), 4 lock washers (H2) and 4 flat washers (H3) secure the legs to the vanity using the Allen wrench (H7) as pictured on the right.



## STEP 2:

- To attach the shelf (D) to the vanity with the assembled legs, align the L-bracket already attached on to the shelf with the existing holes in the installed legs.
- Using the smaller hardware (1/4) enclosed in the hardware pack, including the 4 bolts (H4), 4 lock washers (H5) and 4 flat washers (H6), secure the shelf to the installed legs on the vanity using the Allen wrench (H7) as pictured on the right.



## STEP 3

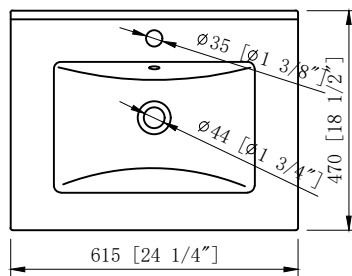
- Place the vanity in the desired location and ensure the vanity is level using the adjustable levelers.
- Install the faucet and all plumbing.
- Ensure there are no water leaks.

## CARE, CLEANING AND MAINTENANCE

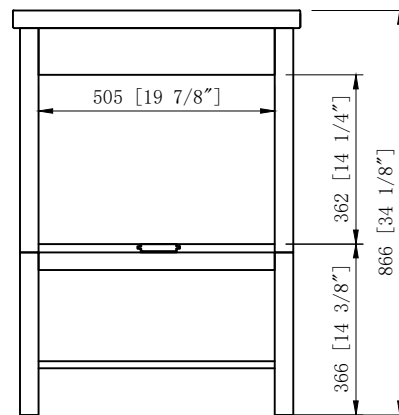
- Dust regularly with a soft, dry cloth.
- Avoid the use of all chemicals, household cleaners, abrasives or cleaners that contain lemon, vinegar or other acids that may damage finish.
- Excessive exposure to sunlight and extreme changes in temperature and moisture can damage wood furniture.
- The porcelain sink is resilient, but care needs to be taken to preserve its appearance.
- Do not place hot appliances, such as curling irons and hot hair dryers directly on the countertop. Wipe spills immediately.

## DIMENSIONS

TOP VIEW



BACK VIEW



Adjust the hinges, if required.

