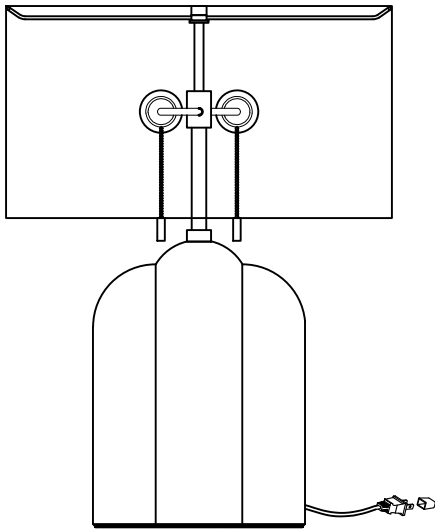
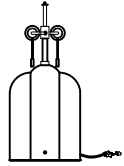
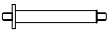

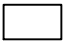



# ASSEMBLY INSTRUCTION

## TABLE LAMP



### COMPONENT LIST :

Part	Picture	Description	Qty
A		Base	1
B		Harpe	1
C		Shade	1
D		Finial	1
E		LED A19 9W,Base E26	2

