



15 : 00

estimated
installation time



2 or more

people required

Ok, let's
get started!



- Put on mood music!
- To prevent damage to product, use the clean side of package carton or rug as working surface for assembly.
- In the event of missing or damaged parts, delivery problems etc., please reach out to our team. We will be happy to fix the problem!

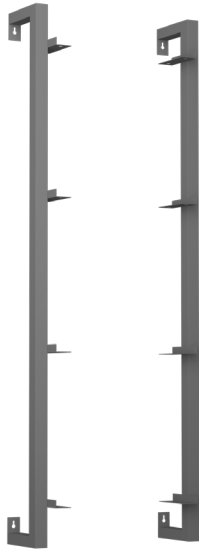
care guide

- Clean regularly with a soft and dry cloth.
- To protect finish, avoid use of abrasive cleaners.
- Wipe up spills immediately. Please!

ⓘ **While assembling the product, tighten the bolts up to 50%. Once all parts are in place, only then fully tighten the bolts.**



product parts



G, H
Legs
x2



I, J, K, L
Shelf
x4

what's included



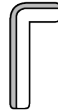
(A)-Bolt
6 x 15 mm
x16



(B)-Washer
Ø16mm x Ø8mm
x16



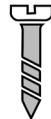
(C)-Lock Washer
Ø8.5mm
x16



(D)-Allen key
x1



(E)-Wall Plug
x4



(F)-Screw
4x40 mm
x4

RS Red Sticker

GS Green Sticker

assembly instructions

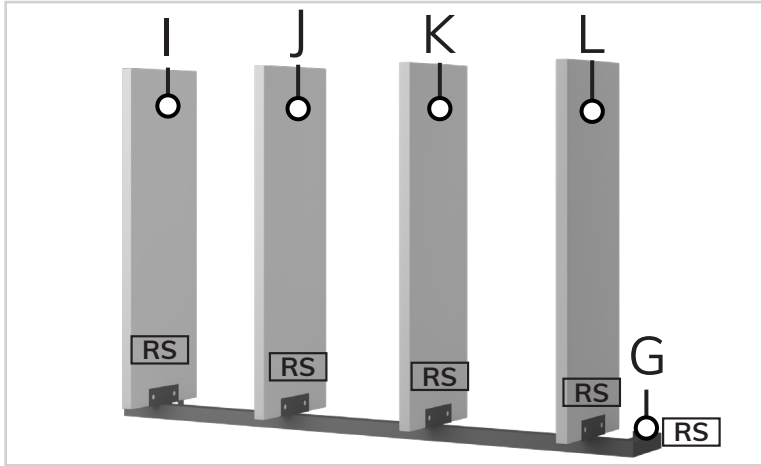
Friendly Tip: Take a deep breath going in. This may be a tricky part, but nothing too overwhelming. Just follow these steps to the T and the outcome will be worth it!



- ⓘ While assembling the product, tighten the bolts up to 50%. Once all parts are in place, only then fully tighten the bolts.

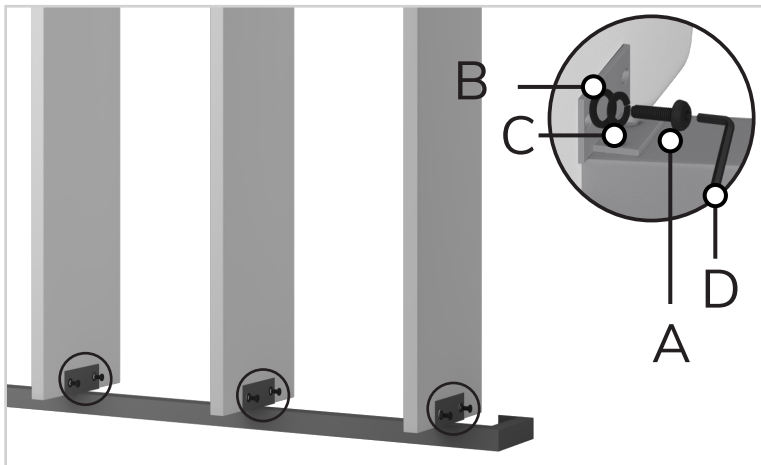
step 1:

Start by placing side leg (G) on the floor. Taking this image as reference, align shelves (I, J, K, L) with their respective slots on the side leg.



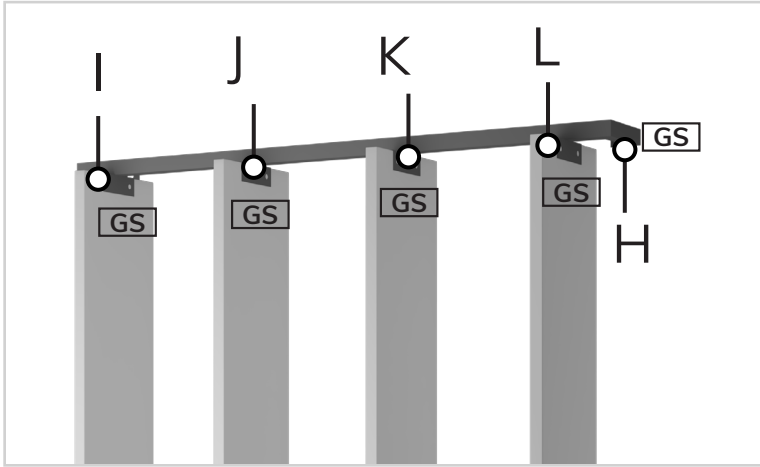
step 2:

Once aligned, secure them in place using bolt (A), washer (B), lock washer (C) and allen-key (D). Simple enough?



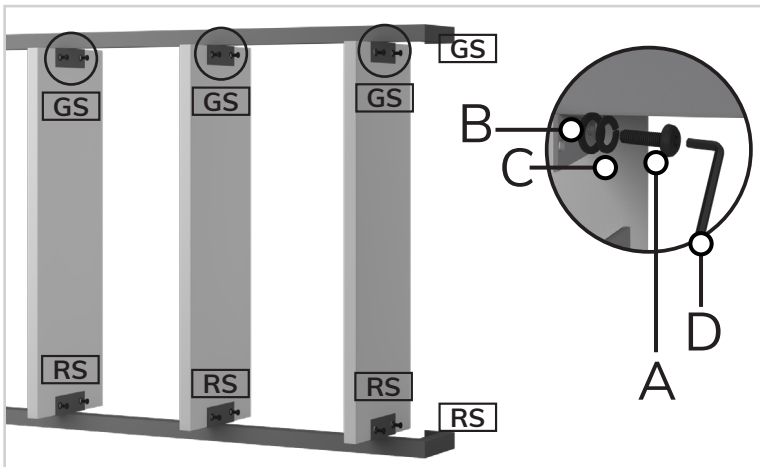
step 3:

Now place another side leg (H). Taking this image as reference, align shelves (I, J, K, L) with their respective slots.



step 4:

Now, insert side leg (H) in the slots on shelves (I, J, K, L). Secure it in place using washer (B), lock washer (C), and bolt (A). Tighten all point using allen key (D).





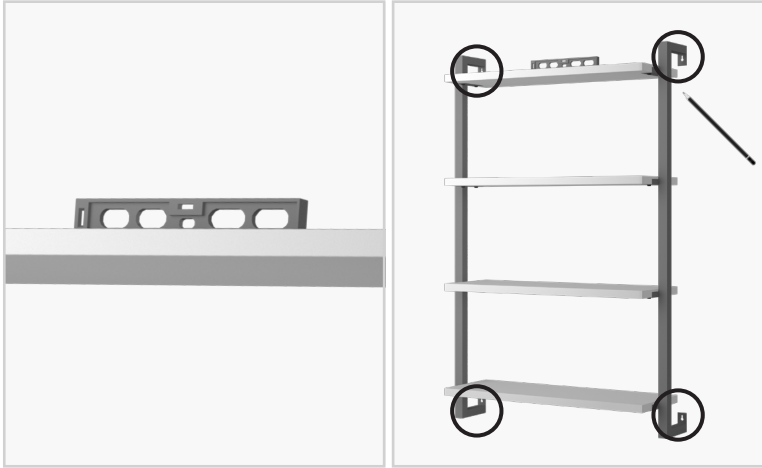
installation instructions



- ⓘ While assembling the product, tighten the bolts up to 50%. Once all parts are in place, only then fully tighten the bolts.

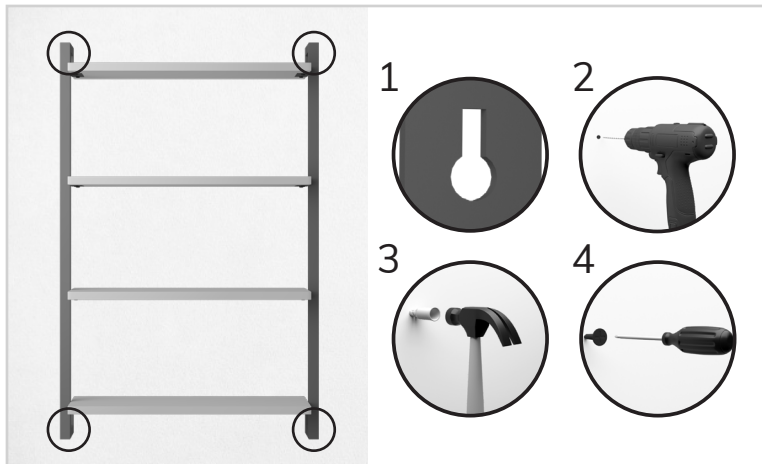
step 1:

Place the assembled shelf against the wall and put a spirit level on the top plank to check alignment. Adjust if needed. Have another person stand back to see if both the legs (G, H) are in level with the wall. Then, taking this image as reference, mark the top and bottom of the shelf on the wall.



step 2:

Drill holes on the marks and insert wall plugs (E) and screws (F). Now, align keyholes with the screws.



Voila! Your shelf is now assembled and secure!

you've
got
a home
with us