

# Modular Sofa Assemble Instruction (Model 5104)

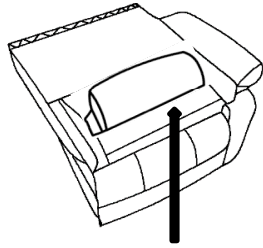
## Step 1: BACK CUSHION ASSEMBLY INSTRUCTION

BACK ASSEMBLY. INSERT BACK CUSHION INTO THE BASE ON BOTH SIDES AT THE SAME TIME

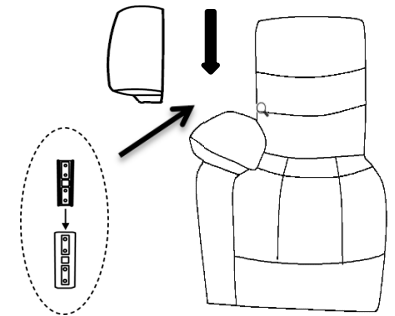
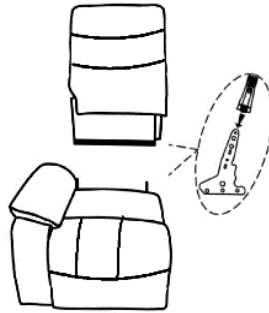
CONCERNING THE WEDGE ASSEMBLY, MAKE SURE TO PUT BACK "A" TO "A" SIDE, BACK "B" TO "B" SIDE.

### LAF/RAF Recliner :

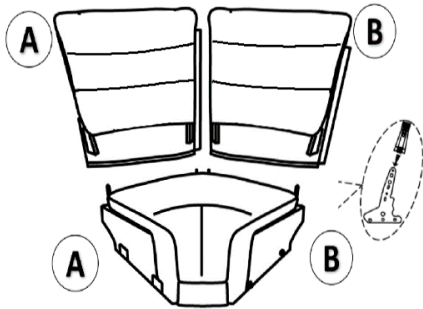
take the back ear out from the underneath of seat



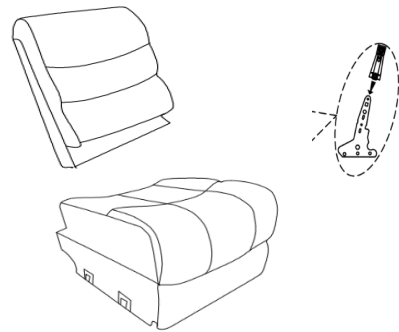
back ear



### Wedge :

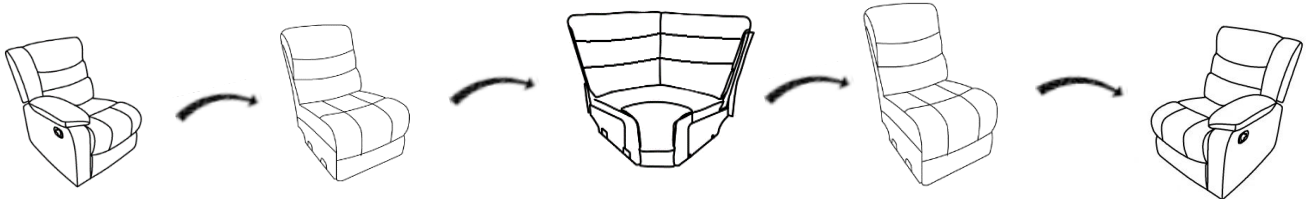


### Armless Chair :



## Step 2: SET UP THE SECTIONAL

LIFT THE PIECES ON THE OPEN END WHERE HOOK IS LOCATED AND LET THE DOWNWARD HOOK SLIDE INTO THE UPWARD HOOK SLOT.



## Step 3: DIFFERENT CONFIGURATIONS OF THE SECTIONAL

