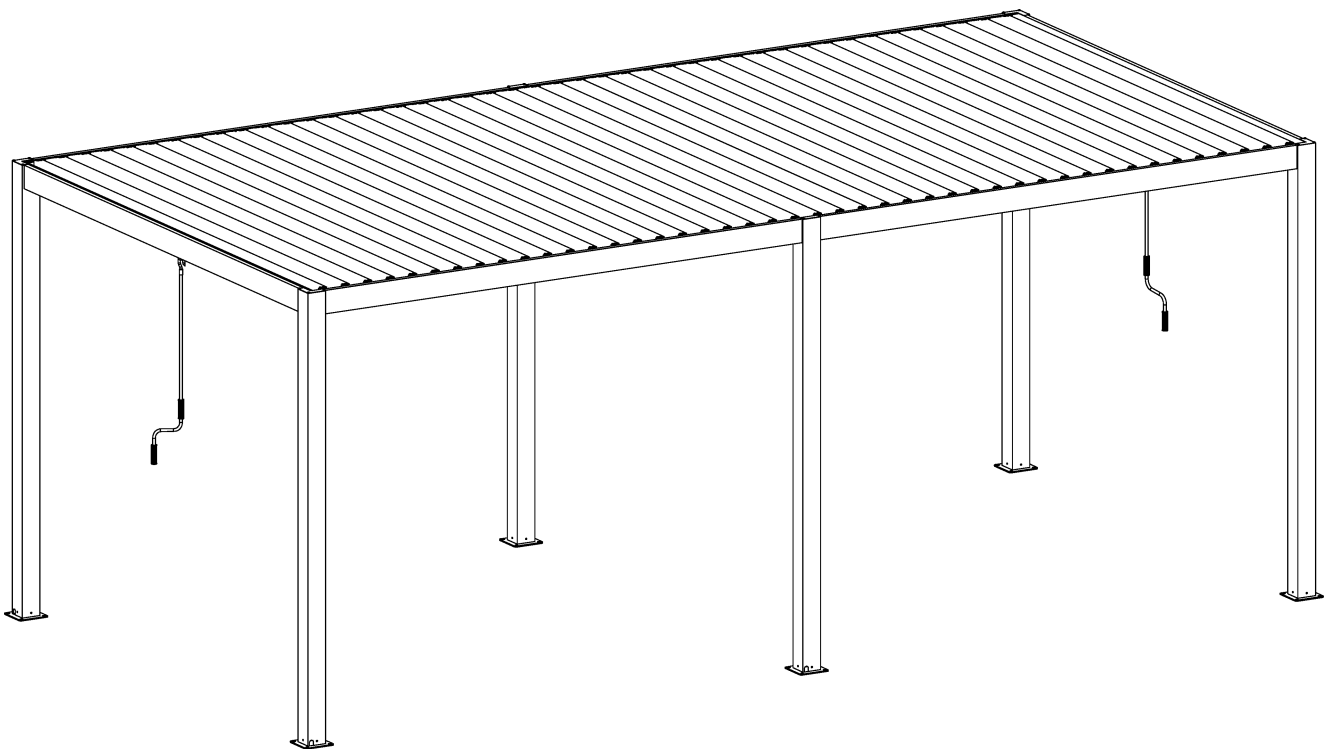


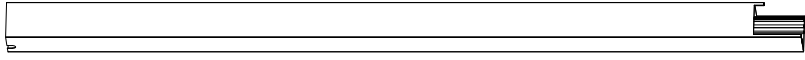





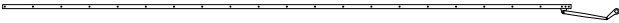
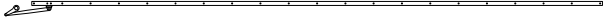
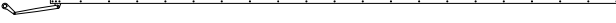
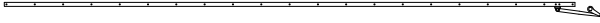
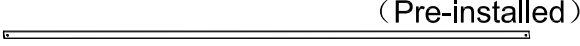

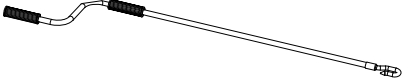


# 8640E Pergola

## User's Manual

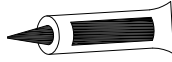
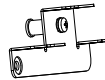
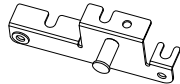
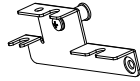
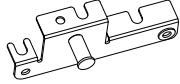
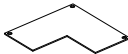


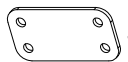
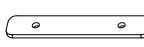
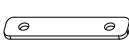

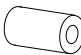
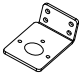
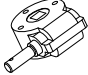
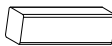


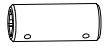

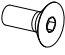
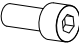




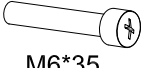
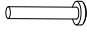

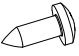
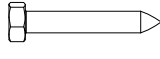



10 x 19 FT



# Bill of Materials List

REF	NAME	PHOTO	QTY
A	Column		4
B	Middle Column		2
C	Front and Rear Crossbeams		2
D	Cross beam -1		2
E	Cross beam -2		2
F	Iron louver		44
G1	Left push rod assembly 1		1
G2	Left push rod assembly 2		1
H1	Right push rod assembly 1		1
H2	Right push rod assembly 2		1
I	Cover plate 1	 (Pre-installed)	8
J	Cover plate 2	 (Pre-installed)	4
K	Hand rocker		2
L1	Hexagonal shaft (Left)		2
L2	Hexagonal shaft (Right)		2

# Bill of Materials List

REF	NAME	PHOTO & QTY		
M	Glass cement			1 PCS
N1	Left louver end cover 1			43 PCS
N2	Left louver end cover 2			1 PCS
O1	Right louver end cover 1			43 PCS
O2	Right louver end cover 2			1 PCS
P	Accessories	P1  4PCS	P2  6PCS	P3  8PCS
		P4  8PCS	P5  4PCS	P6  4PCS
		P7  2PCS	P8  4PCS	P9  2PCS
		P10  2PCS	P11  2PCS	P12  4PCS
		P13  2PCS	P14  4PCS	P15  24PCS
Q	Fixing of accessories	Q1  24PCS M6×16	Q2  40PCS M6×12	
		Q3  8PCS M6×16	Q4  88PCS	
		Q5  4PCS ST4.8×32	Q6  88PCS M5*6*10	
		Q7  6PCS M6*35	Q8  2PCS M4*20	
		Q9  2PCS M4	Q10  16PCS ST5.5×16	
		Q11  24PCS M8*75	Q12  24PCS φ8*1	
		Q13  24PCS φ10*50	Q14  40PCS	

# Kinder Reminder

## General Guidelines

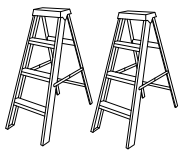
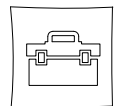
- Please keep this manual for future use after you install the pergola;
- Please read the following instruction carefully before assembly;
- This manual may not include every details and considerable steps;
- Please contact us when you need further information or any help

## Kind Notes

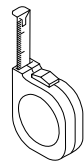
·Please do not allow snow to accumulate on the louver roof. If moderate or heavy snow is expected to coming, do open the louvers, also does it in the conditions of high winds or other extreme weather conditions.

·Please open the louvers and raise or remove any shade screen accessories that have been installed to avoid potential damage to the pergola when bad weather comes.

## What you may need?



Ladder x2



Tapeline



Mallet

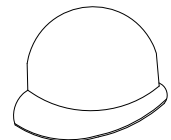


Glove

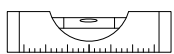


Ø10mm

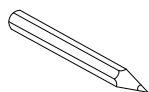
electric screw driver



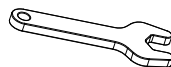
Safety hat



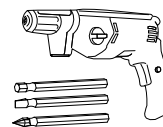
Level



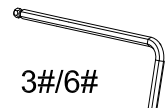
Marker Pen



Adjustable wrench



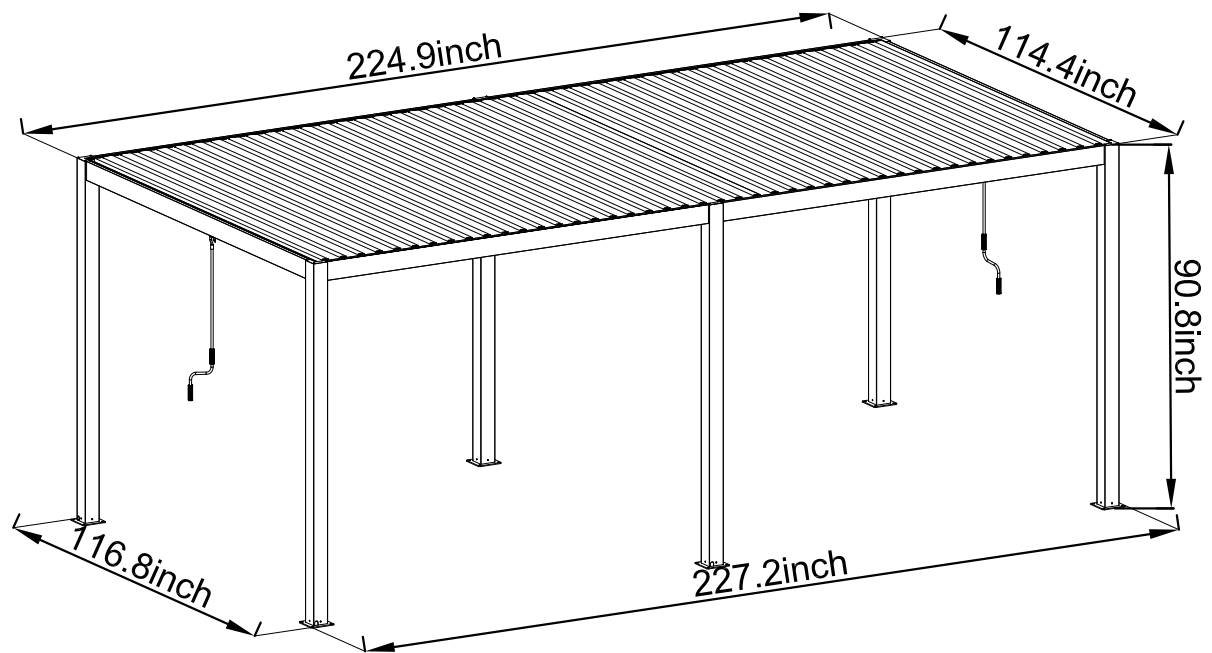
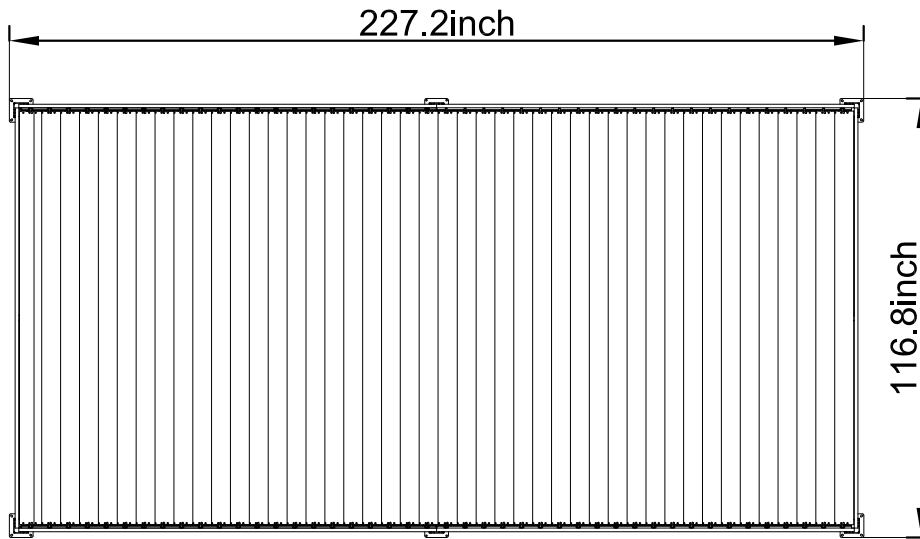
screwdriver or electric screwdriver



3#/6#

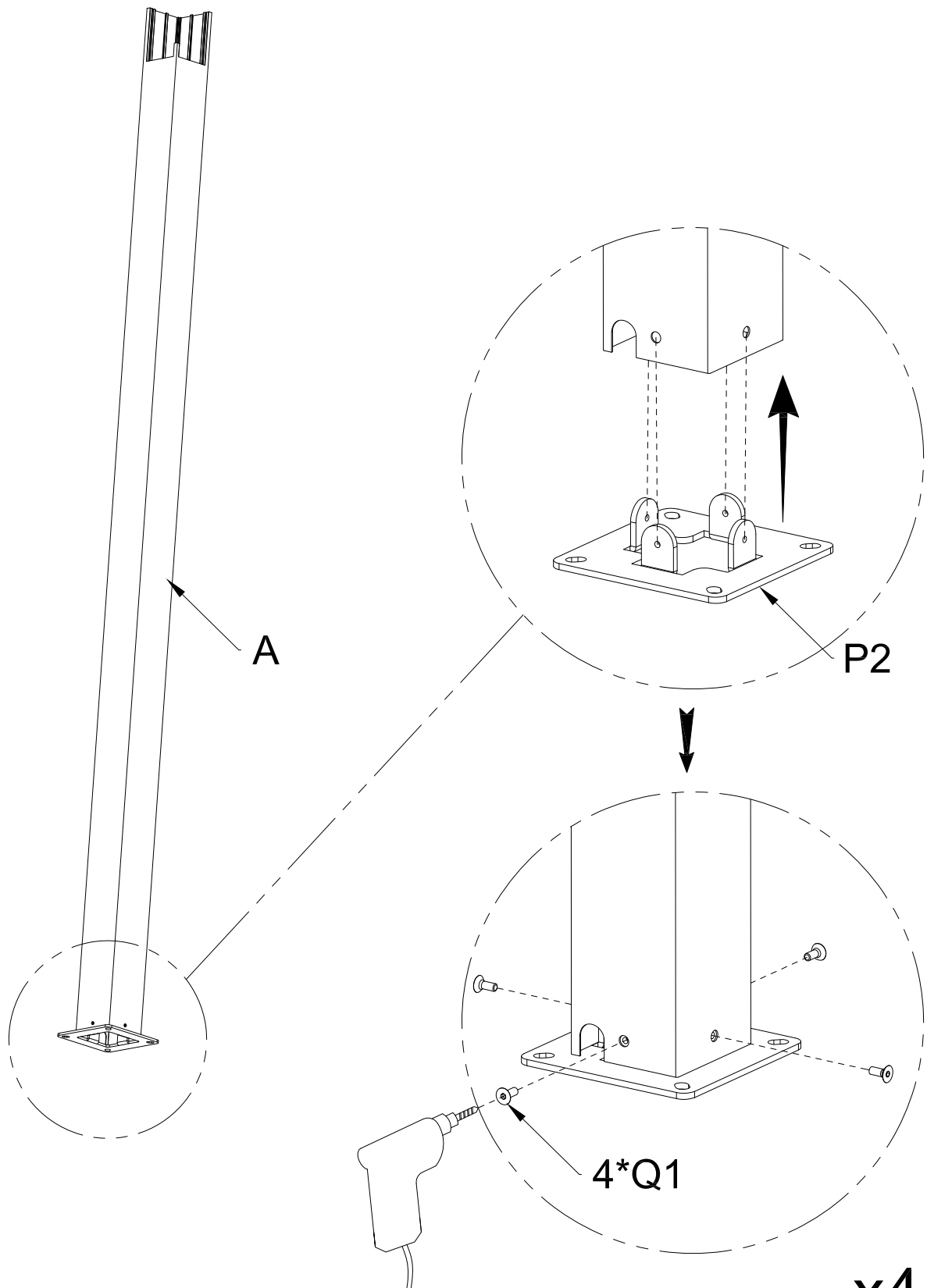
Allen key

# Overall Size Display

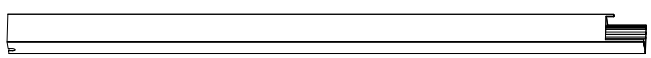
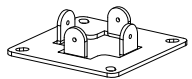
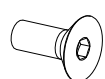


# **Step-by-step Instructions for Installation**

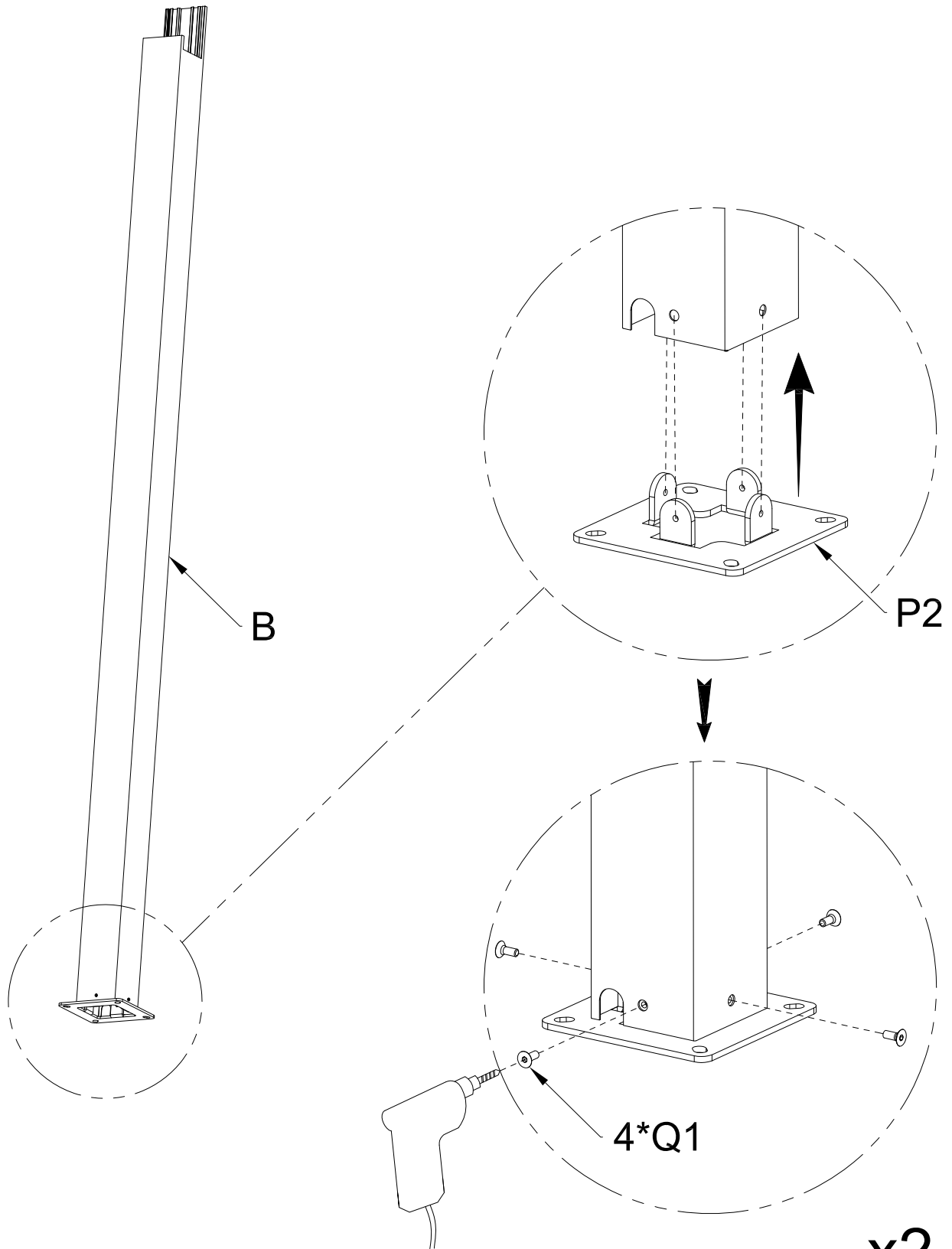
# 1. Assemble **four** corner pillars



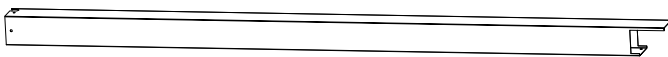

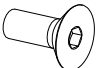
**x4**

A		QTY:4PCS
P2		QTY:4PCS
Q1		QTY:16PCS M6*16

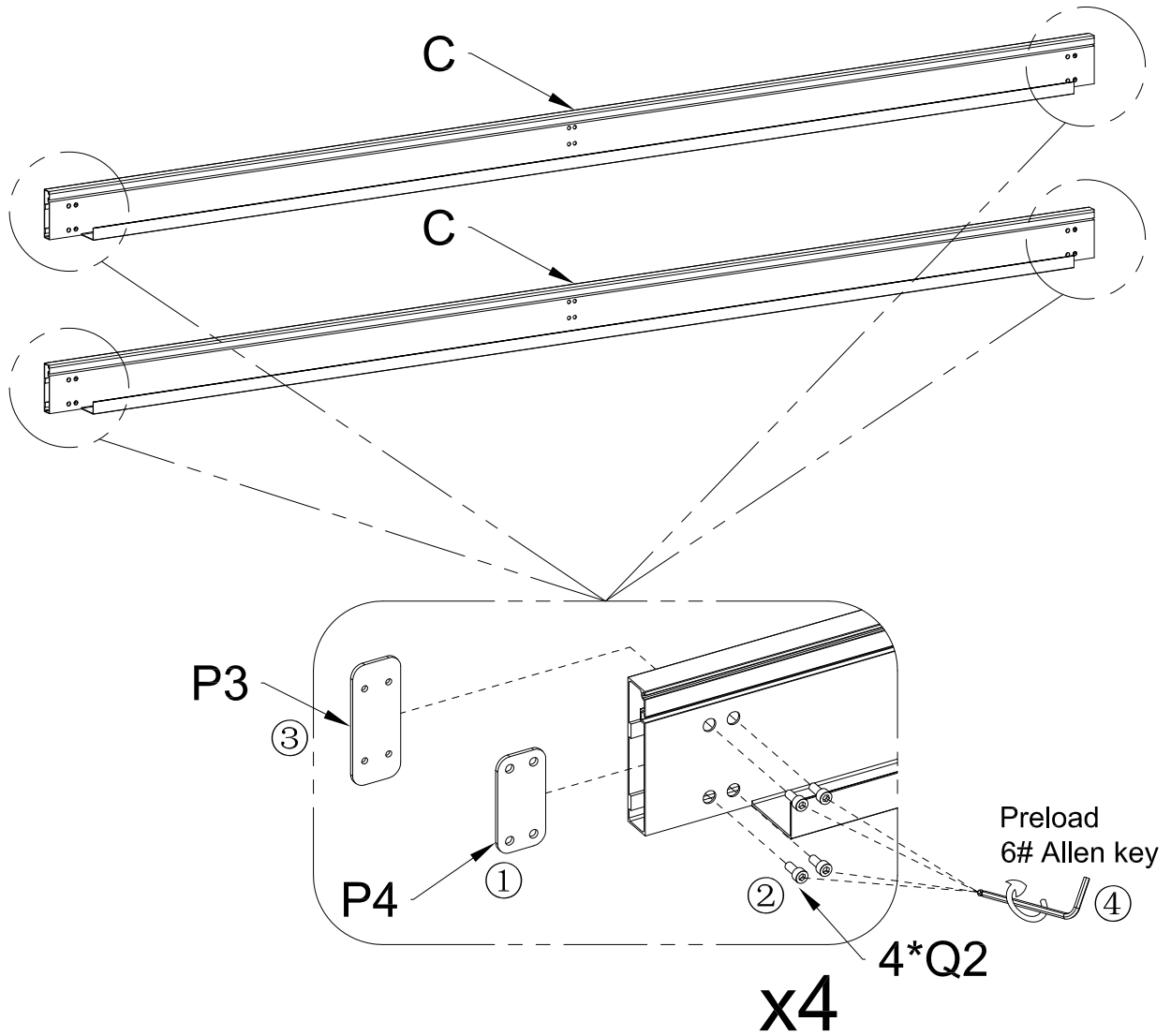
## 2. Assemble two middle pillars




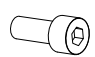


x2

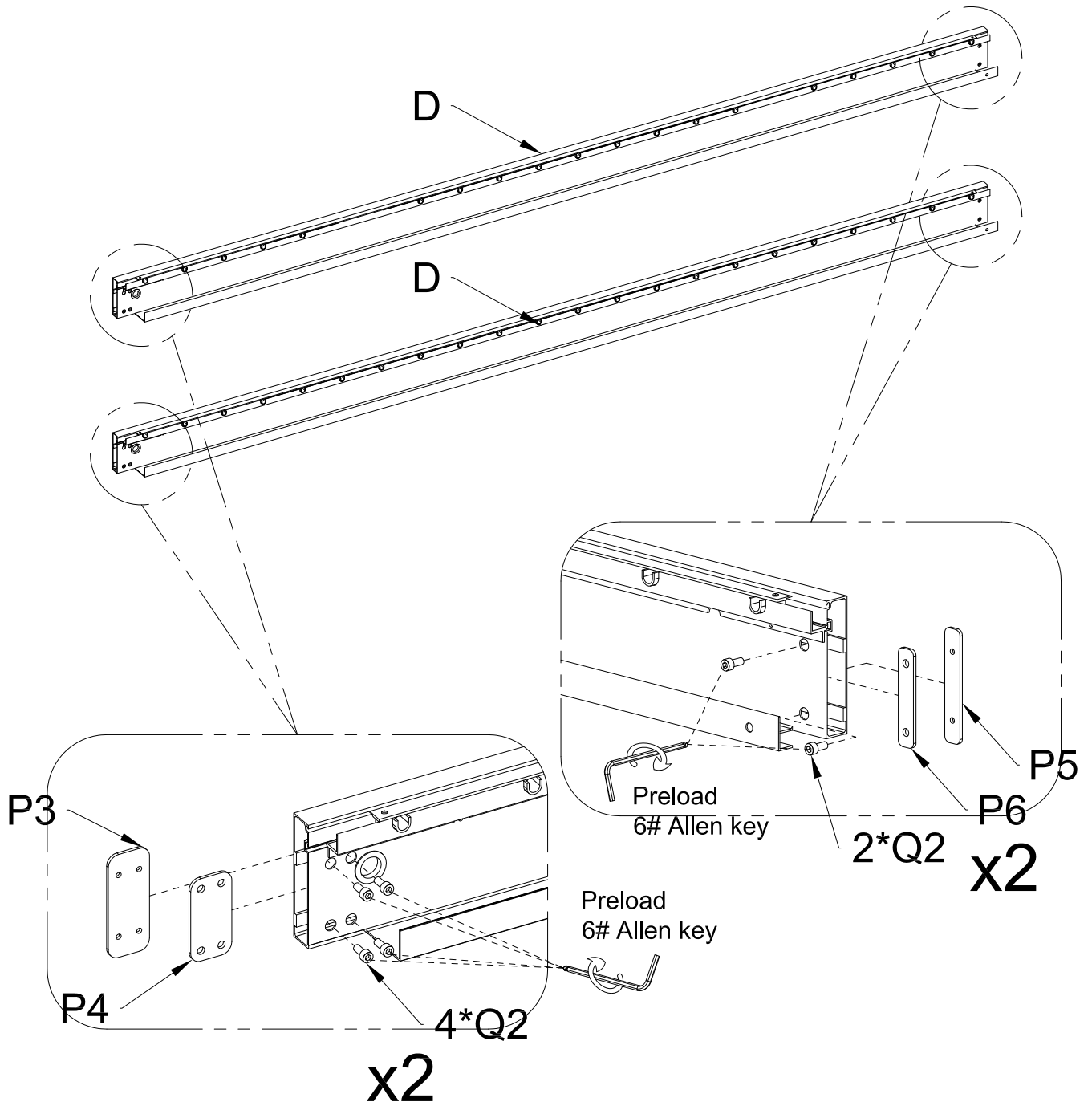
B		QTY:2PCS
P2		QTY:2PCS
Q1		QTY:8PCS M6*16

### 3. Assemble two front and rear crossbeams



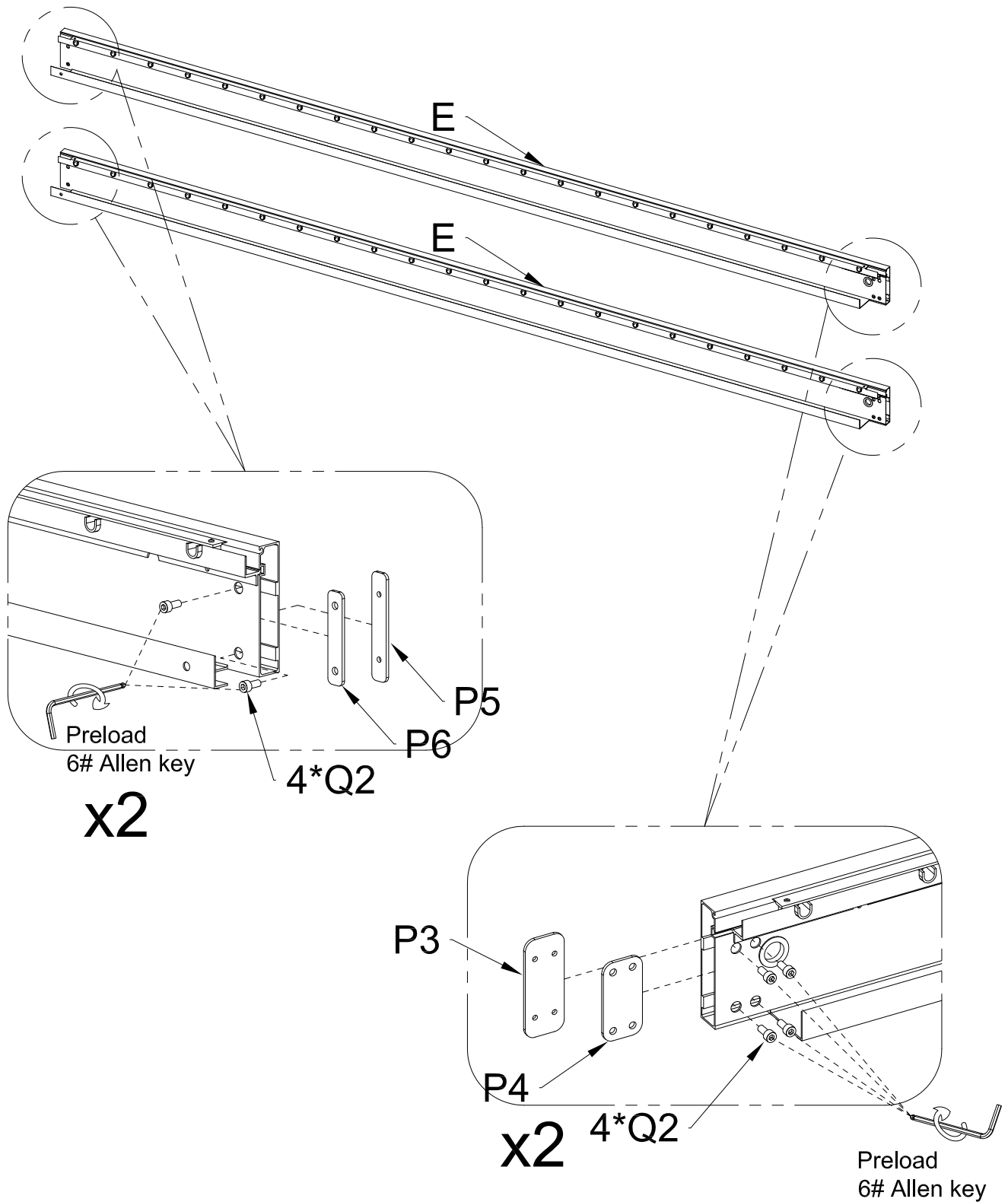
C		QTY:2PCS							
P3		QTY:4PCS	P4		QTY:4PCS	Q1		M6*12	QTY:16PCS


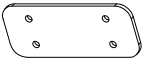

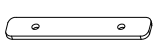
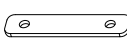
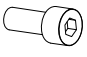
# 4.1 Assemble **two** crossbeam-1



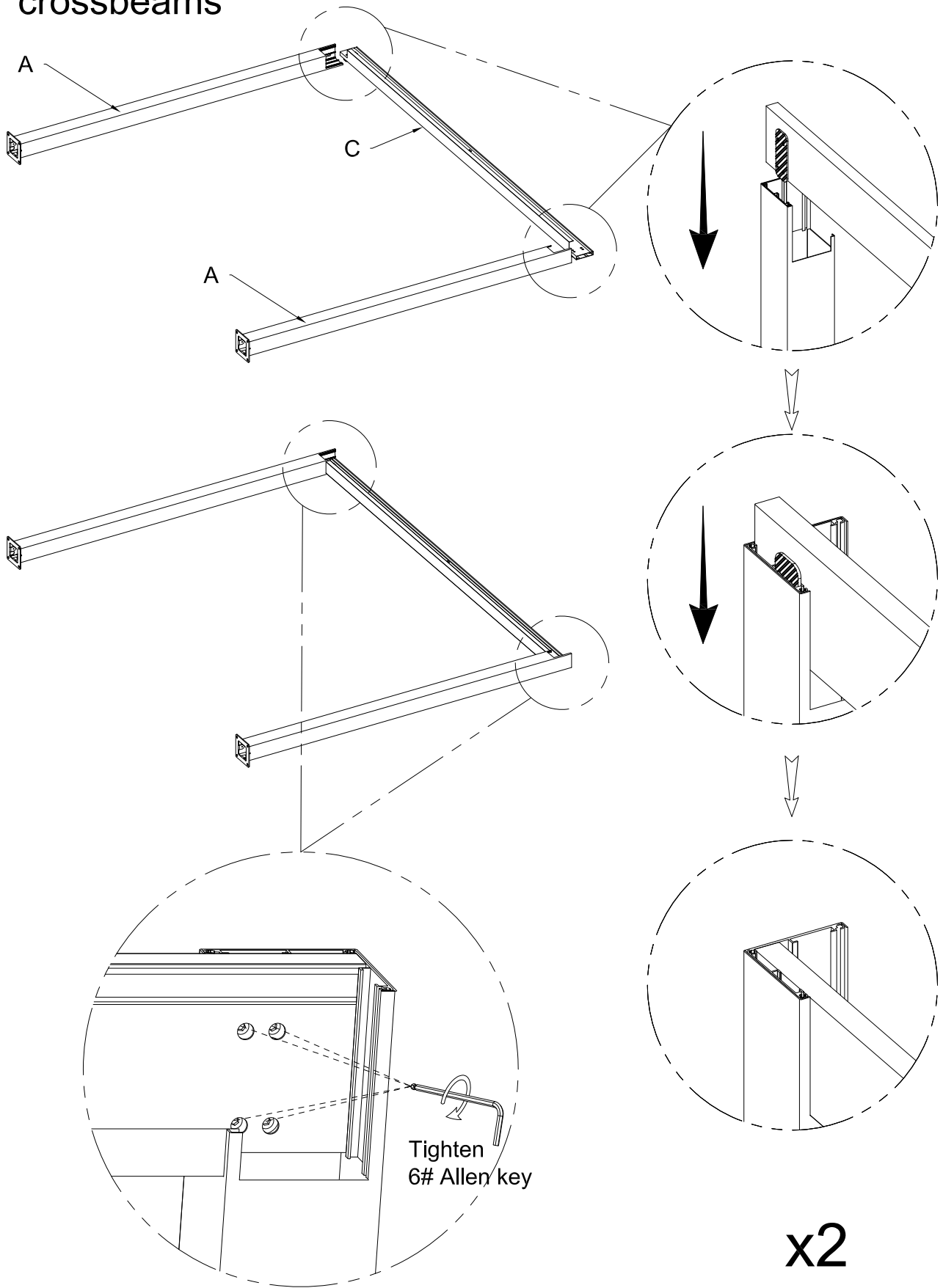
D		QTY:2PCS	
P3		QTY:2PCS	P4  QTY:2PCS
P5		QTY:2PCS	P6  QTY:2PCS
			Q2  M6*12 QTY:12PCS

## 4.2 Assemble two crossbeam-2

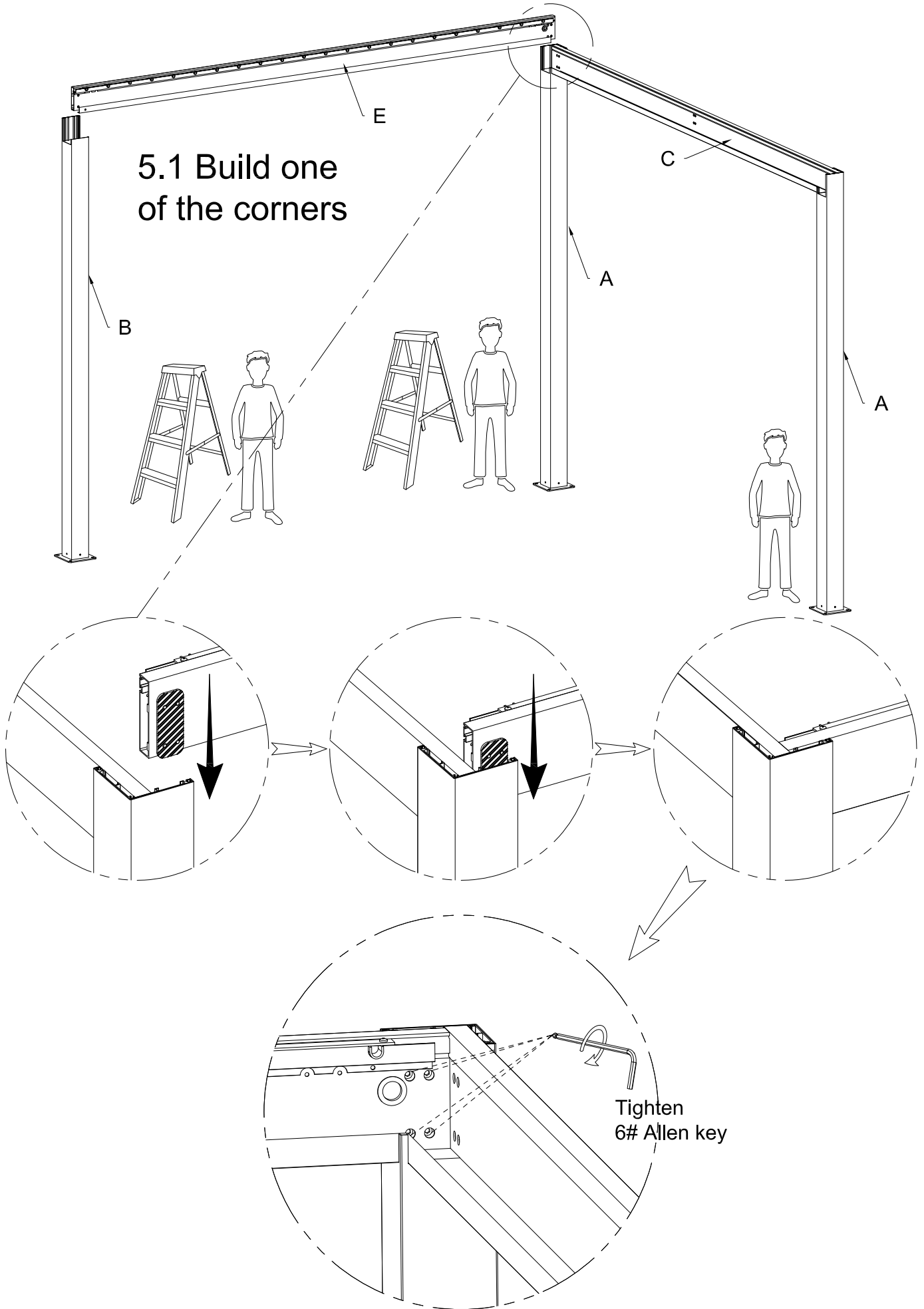


E		QTY:2PCS	
P3		QTY:2PCS	P4  QTY:2PCS
P5		QTY:2PCS	P6  QTY:2PCS
			Q2  M6*12 QTY:12PCS

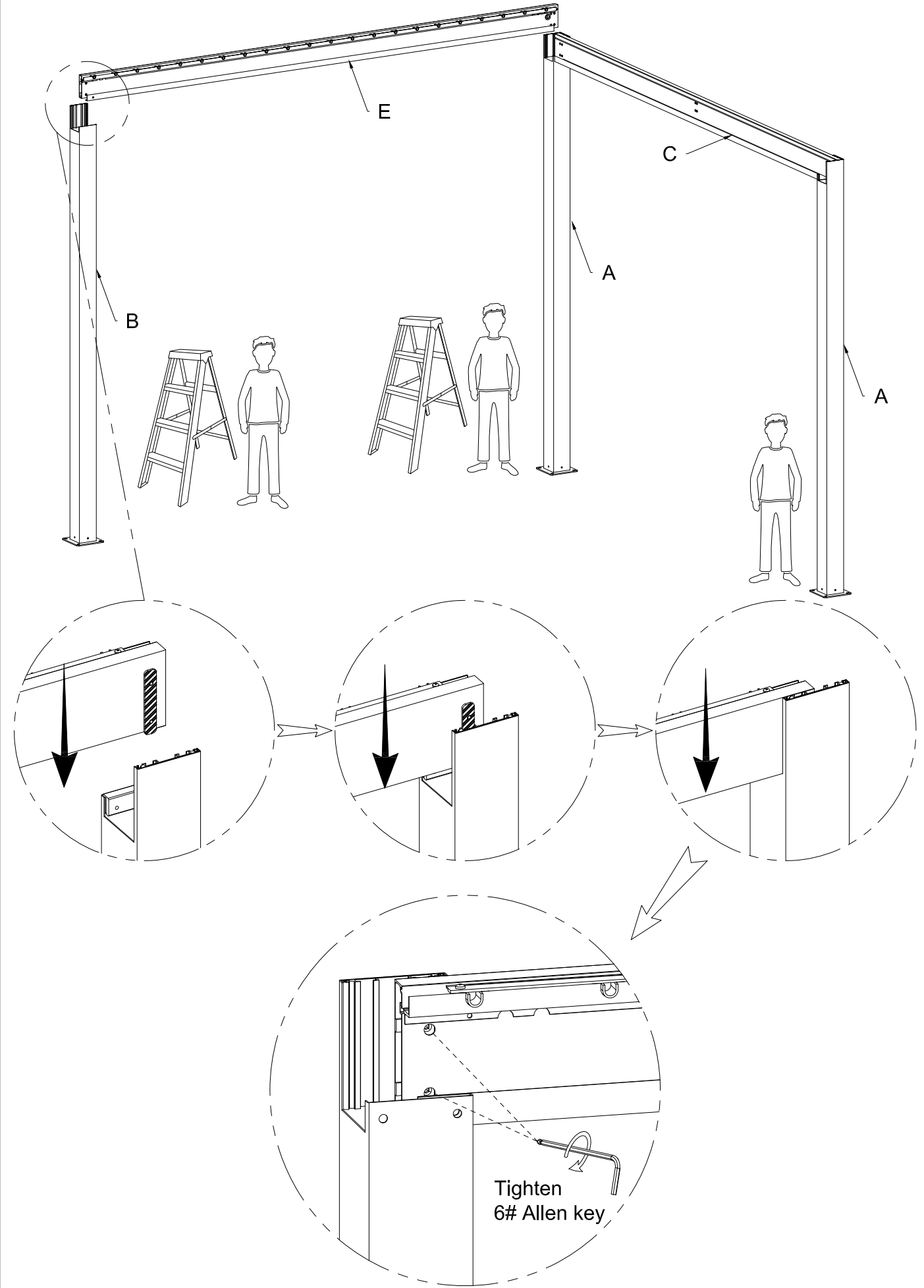
# 5.1 Assemble **two sets** of front and rear crossbeams

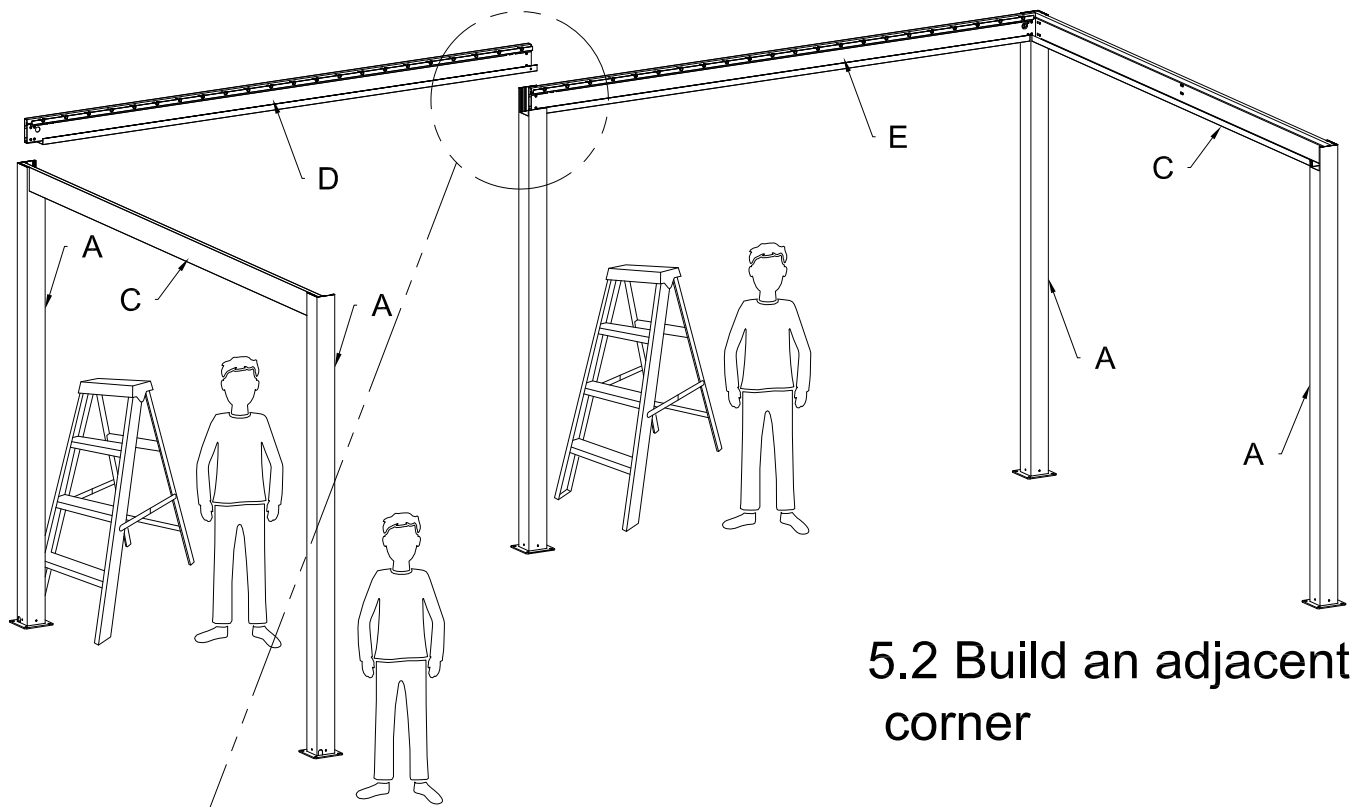


### 5.1 Build one of the corners

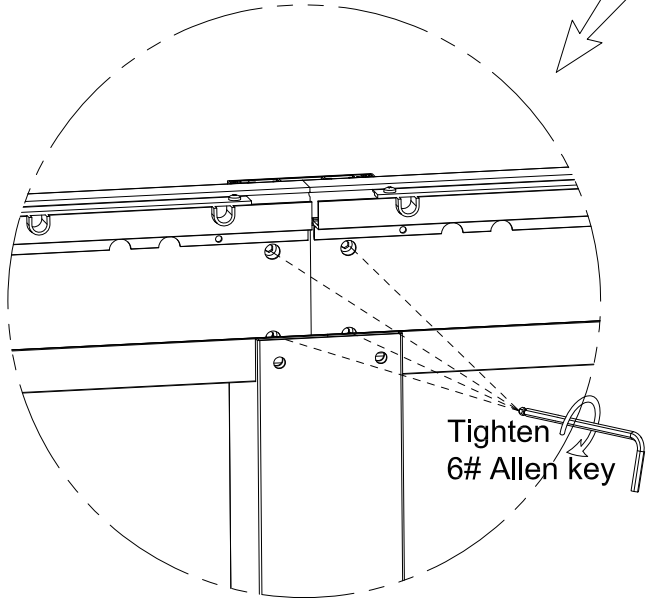
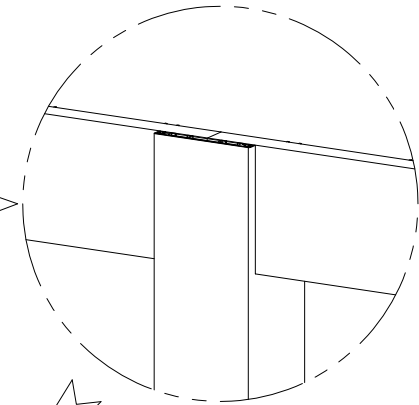
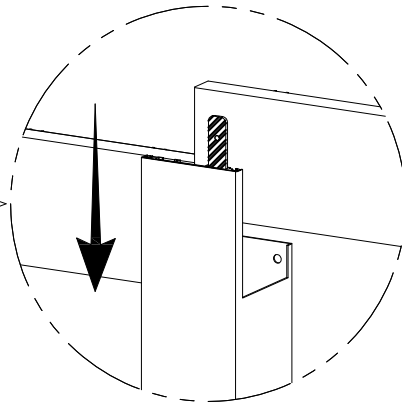
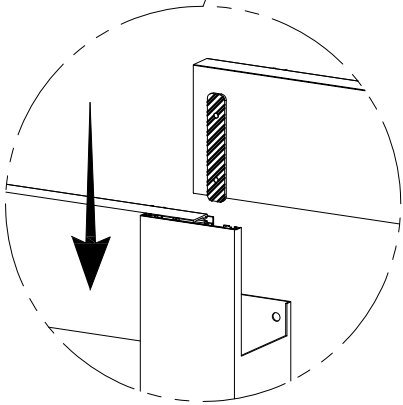


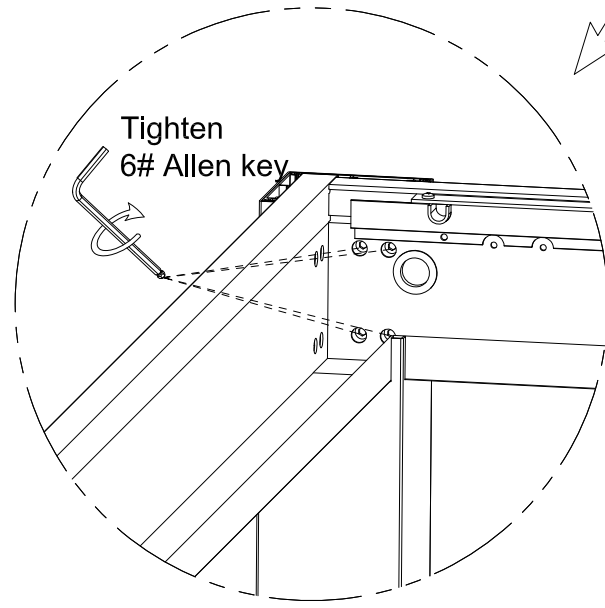
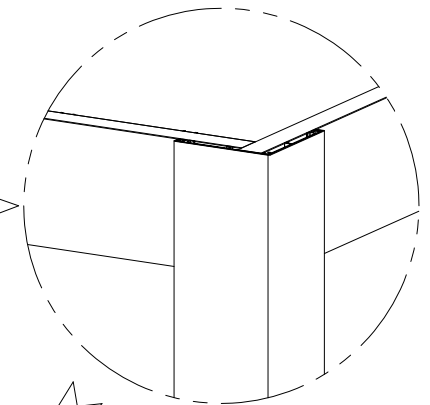
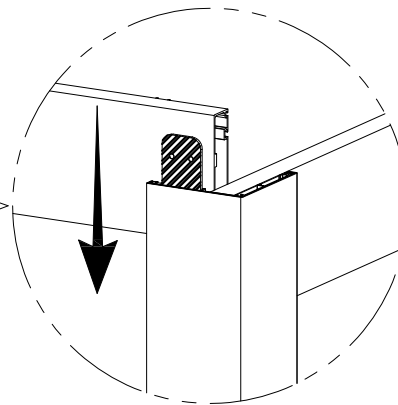
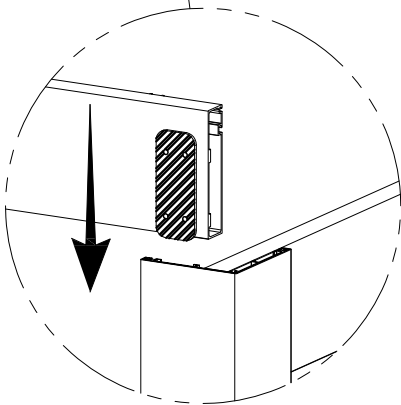
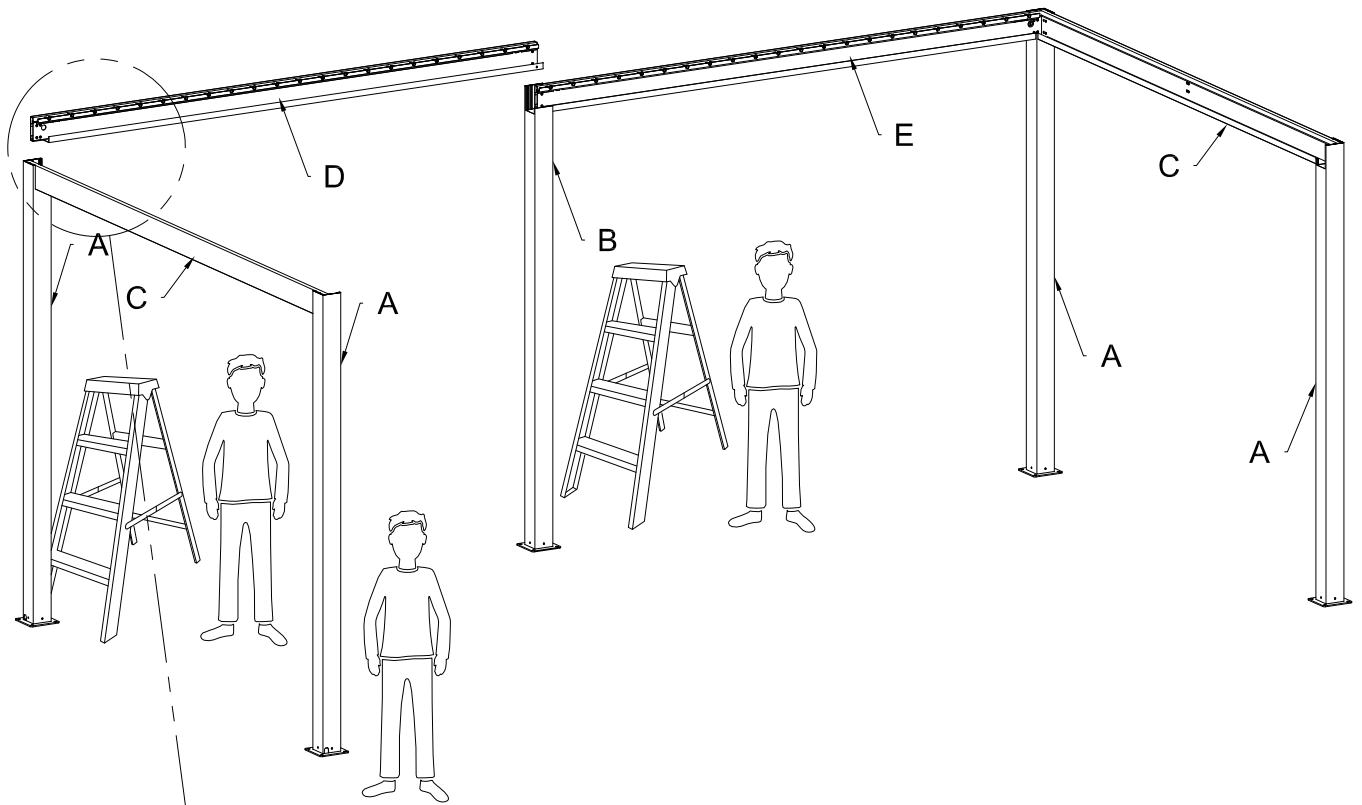
Tighten  
6# Allen key



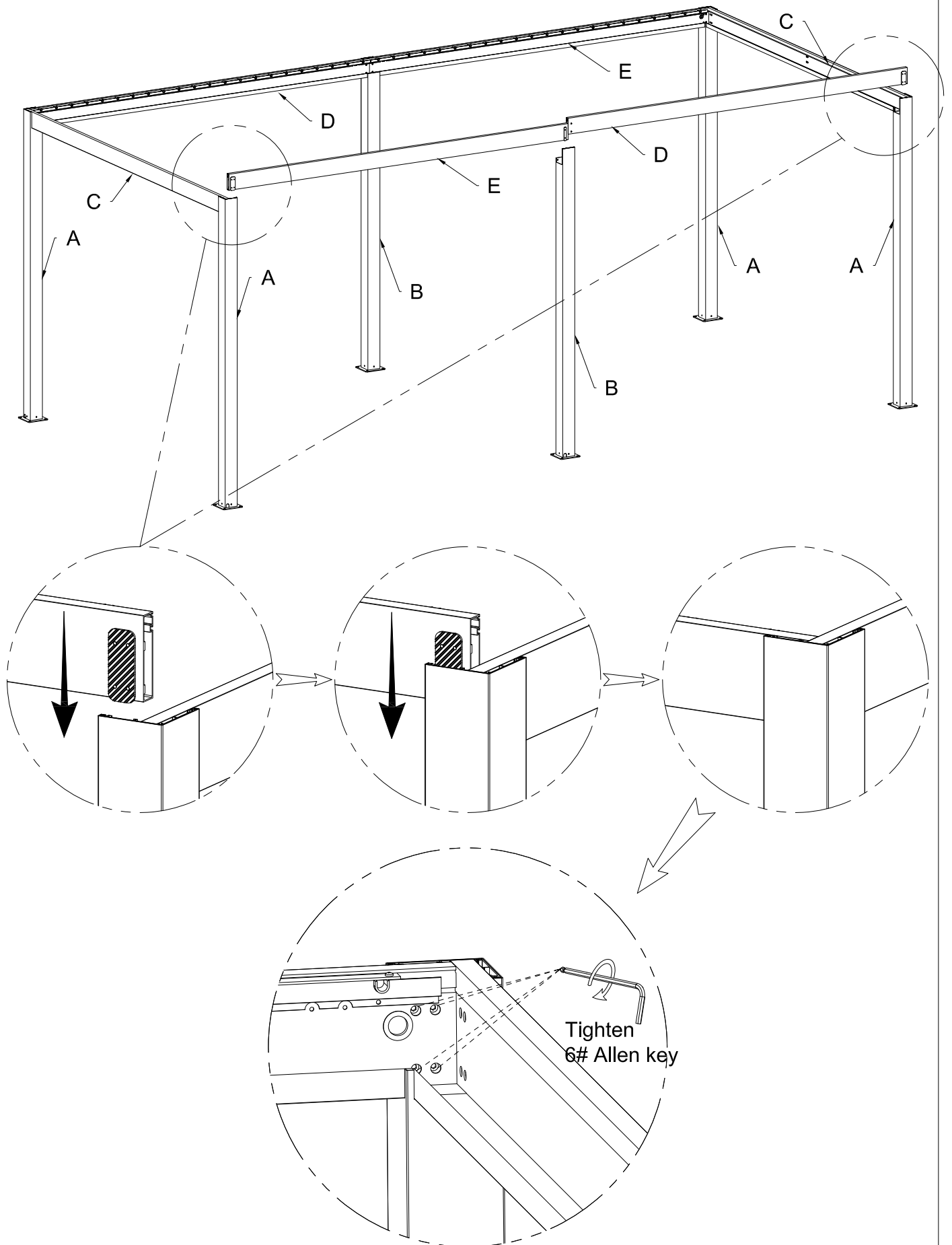


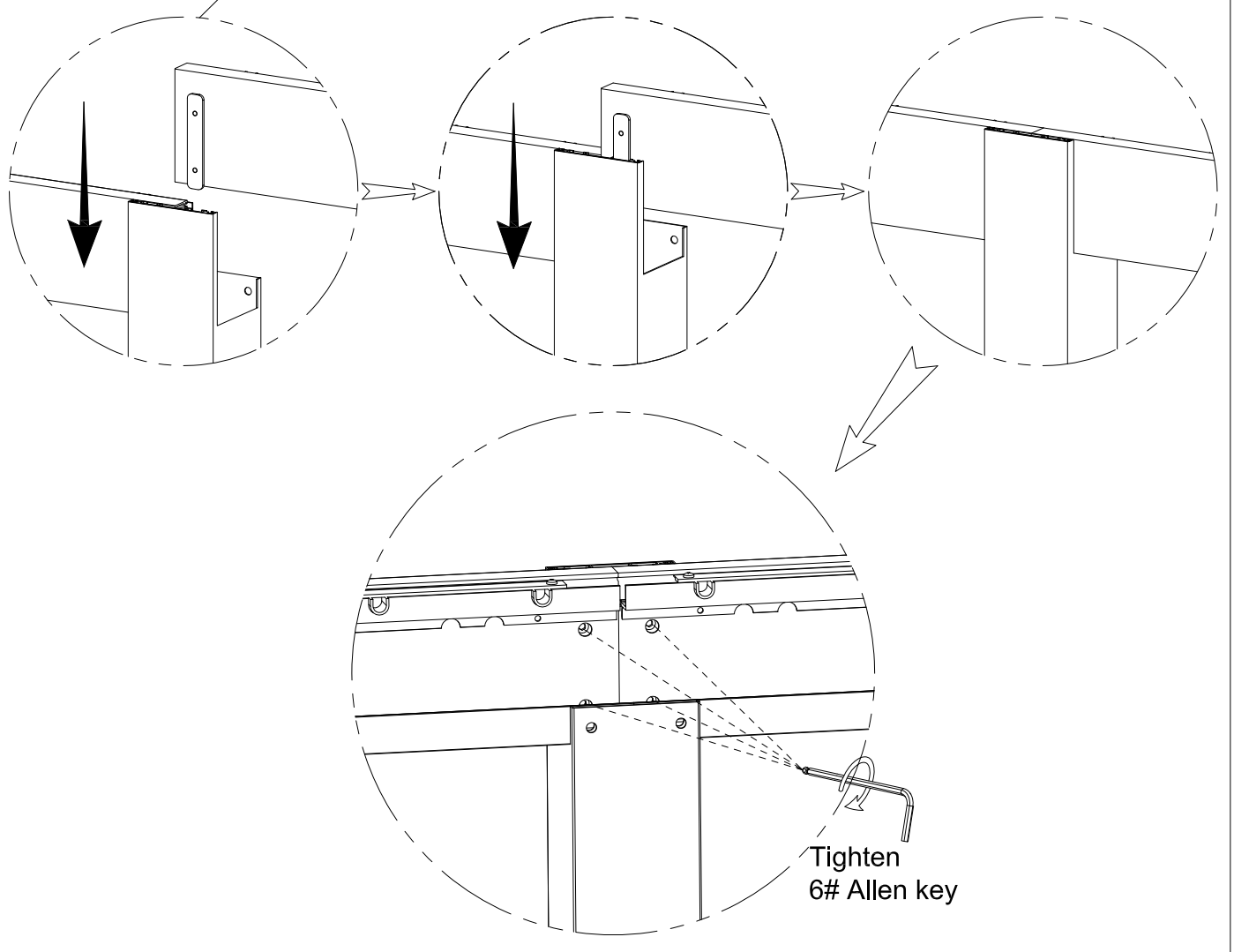
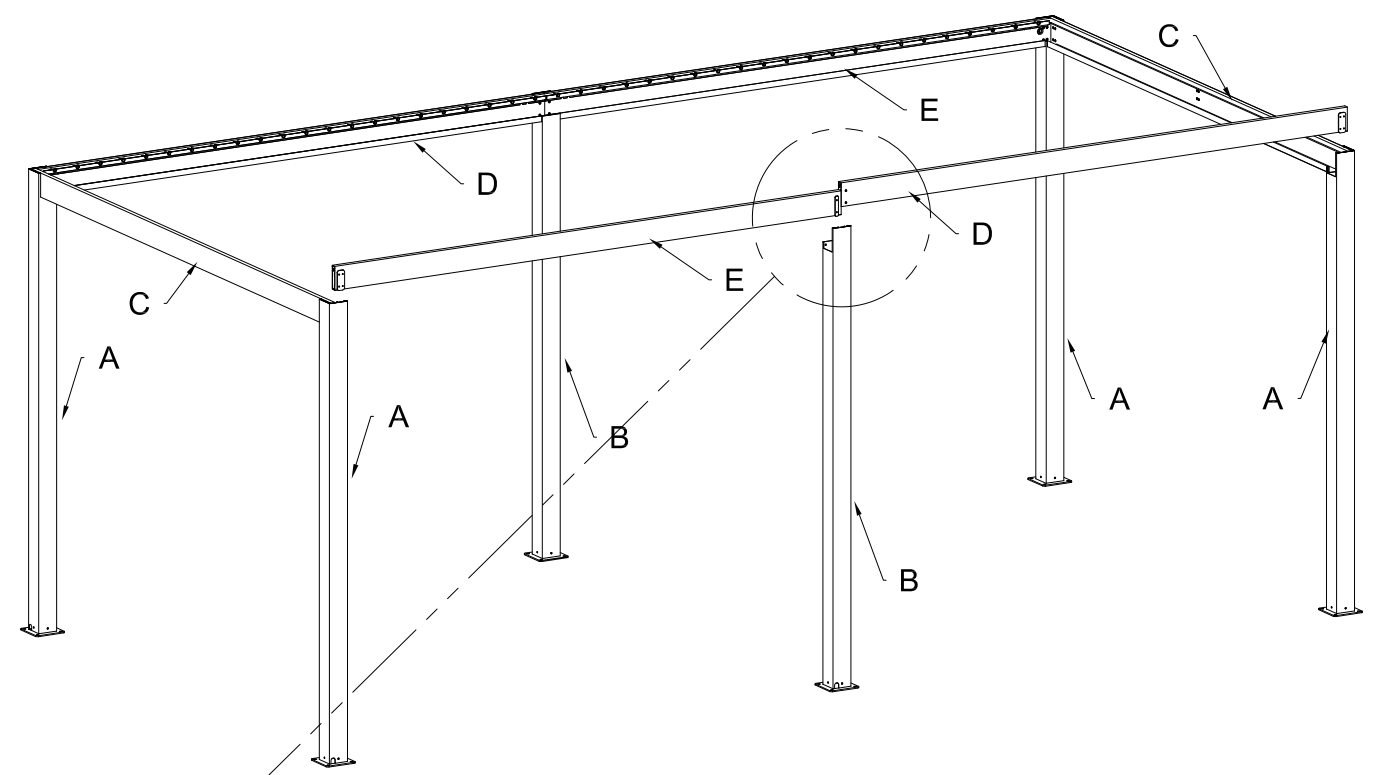
### 5.2 Build an adjacent corner



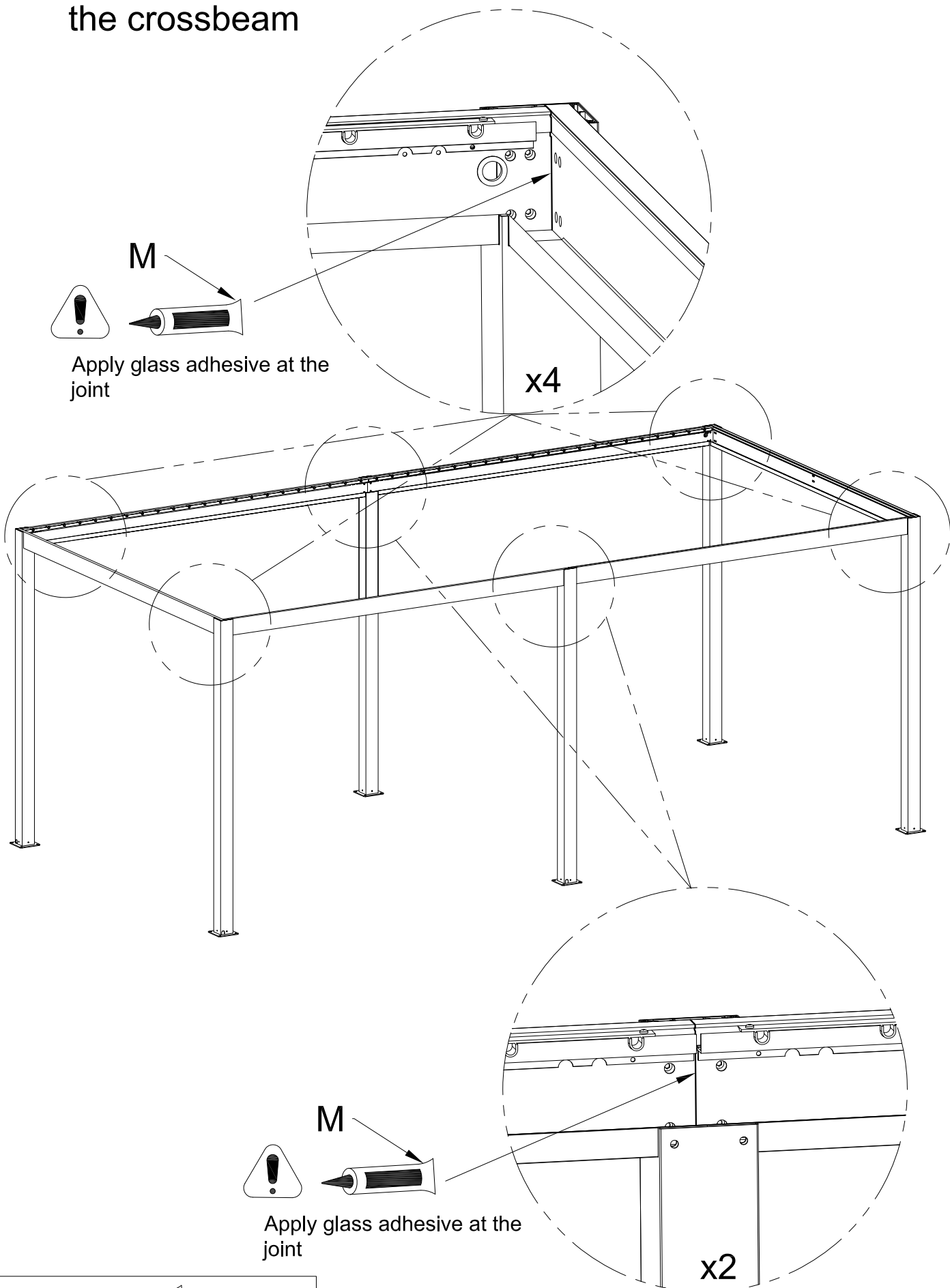


### 5.3 Install opposite side beams and columns





## 5.4 Apply waterproof sealant at the connection of the crossbeam

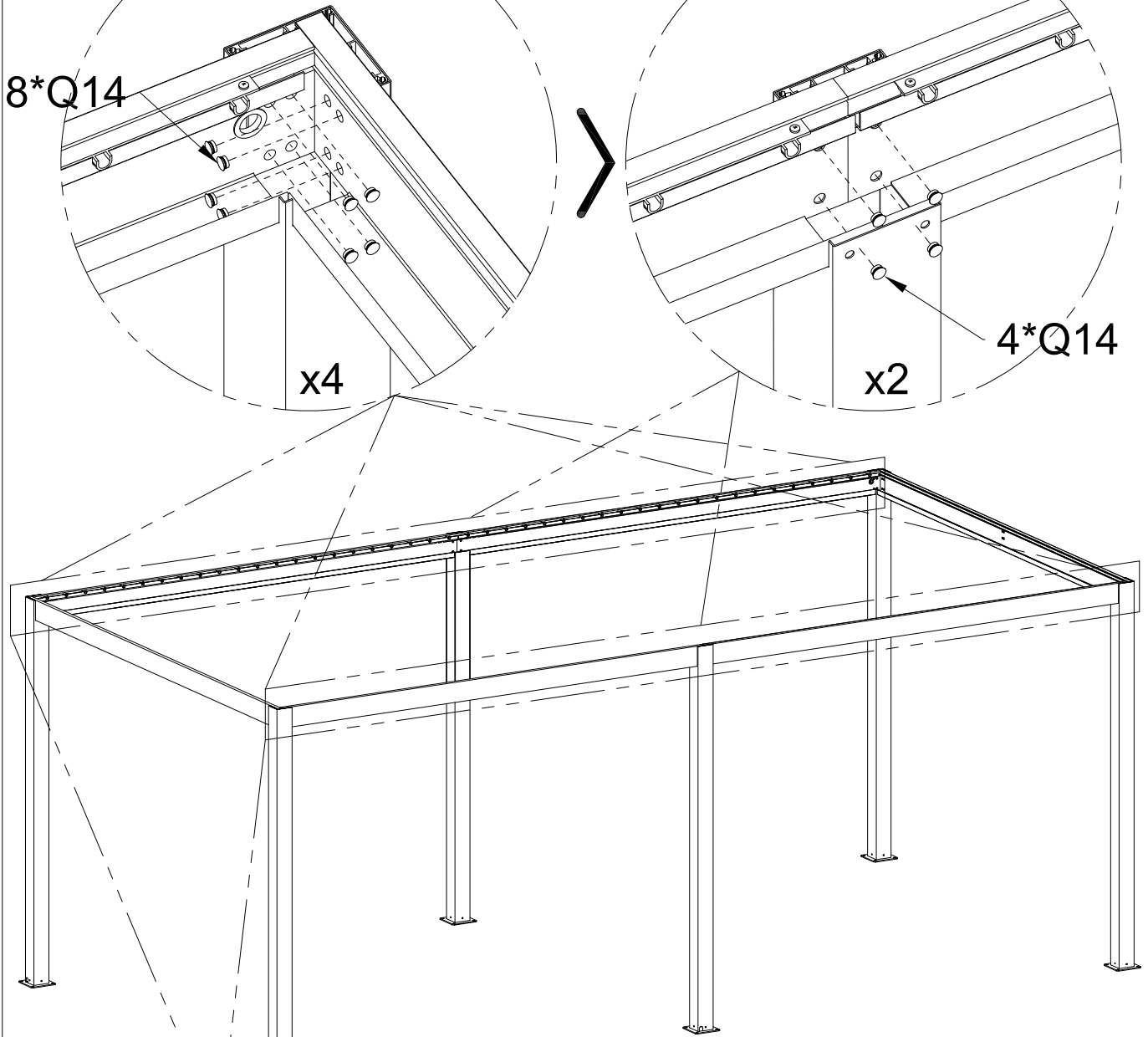


M

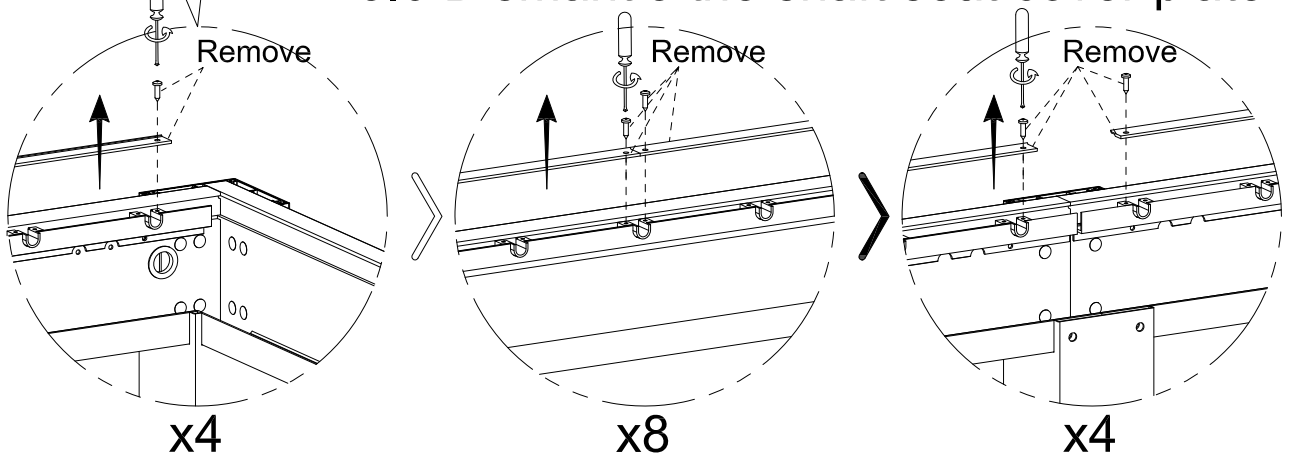




QTY:1PCS

### 5.5 Install the plastic plugs

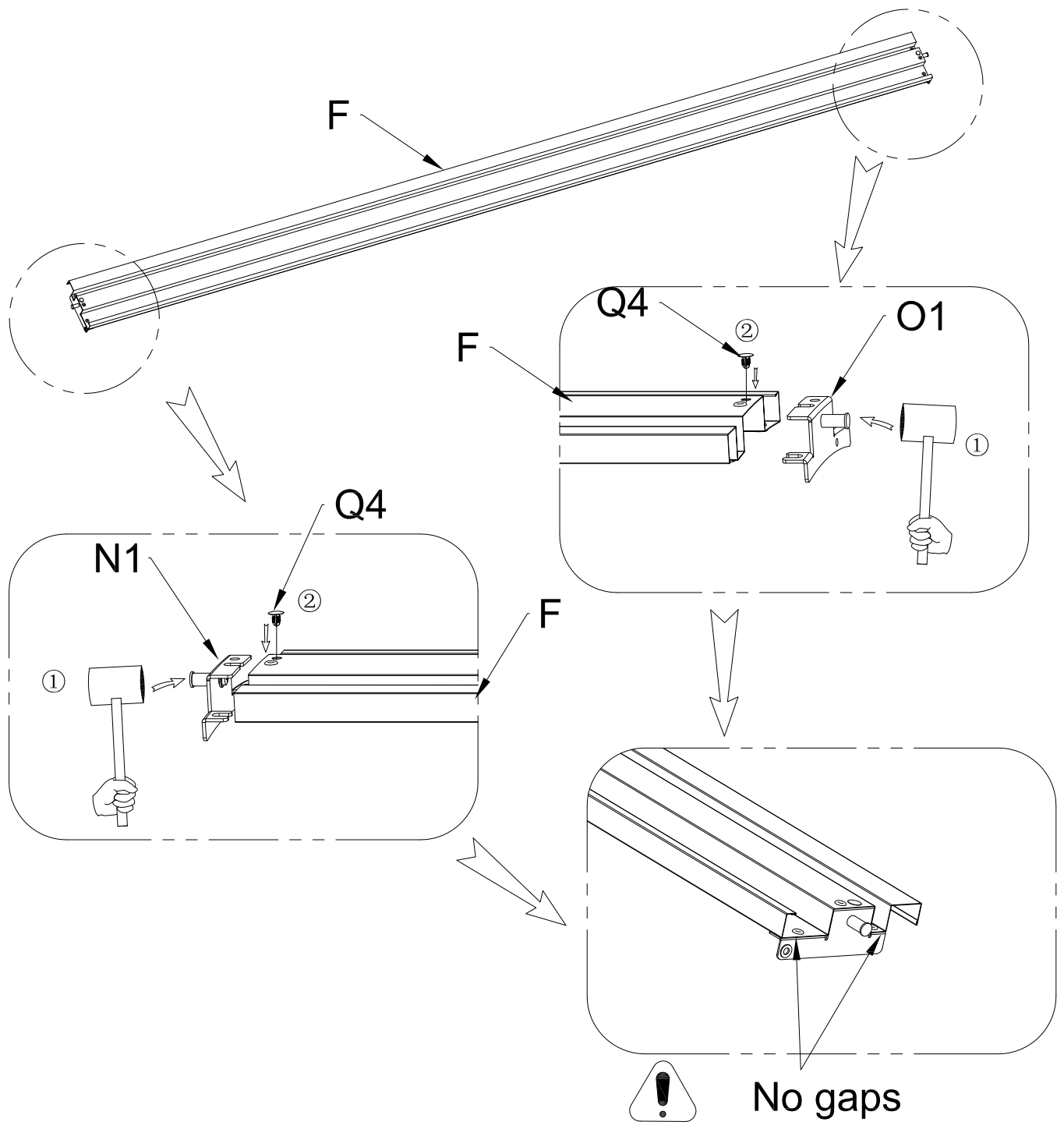



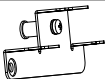
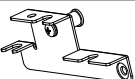

### 5.6 Dismantle the shaft seat cover plate



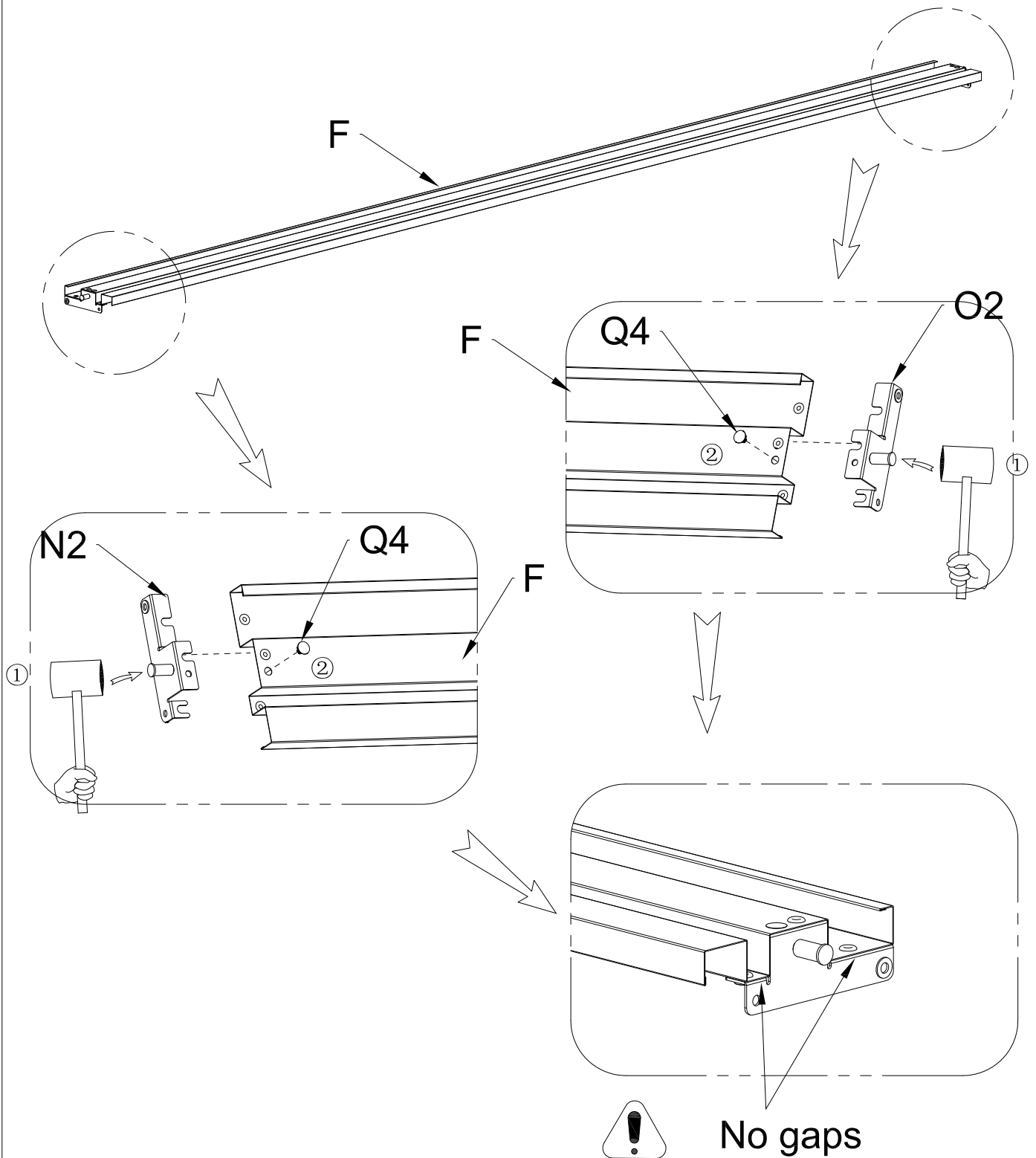
M		QTY:1PCS	Q14		QTY:40PCS
---	---	----------	-----	---	-----------


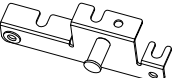
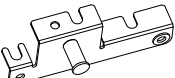

# 6.1 Assembling ordinary louver components x43



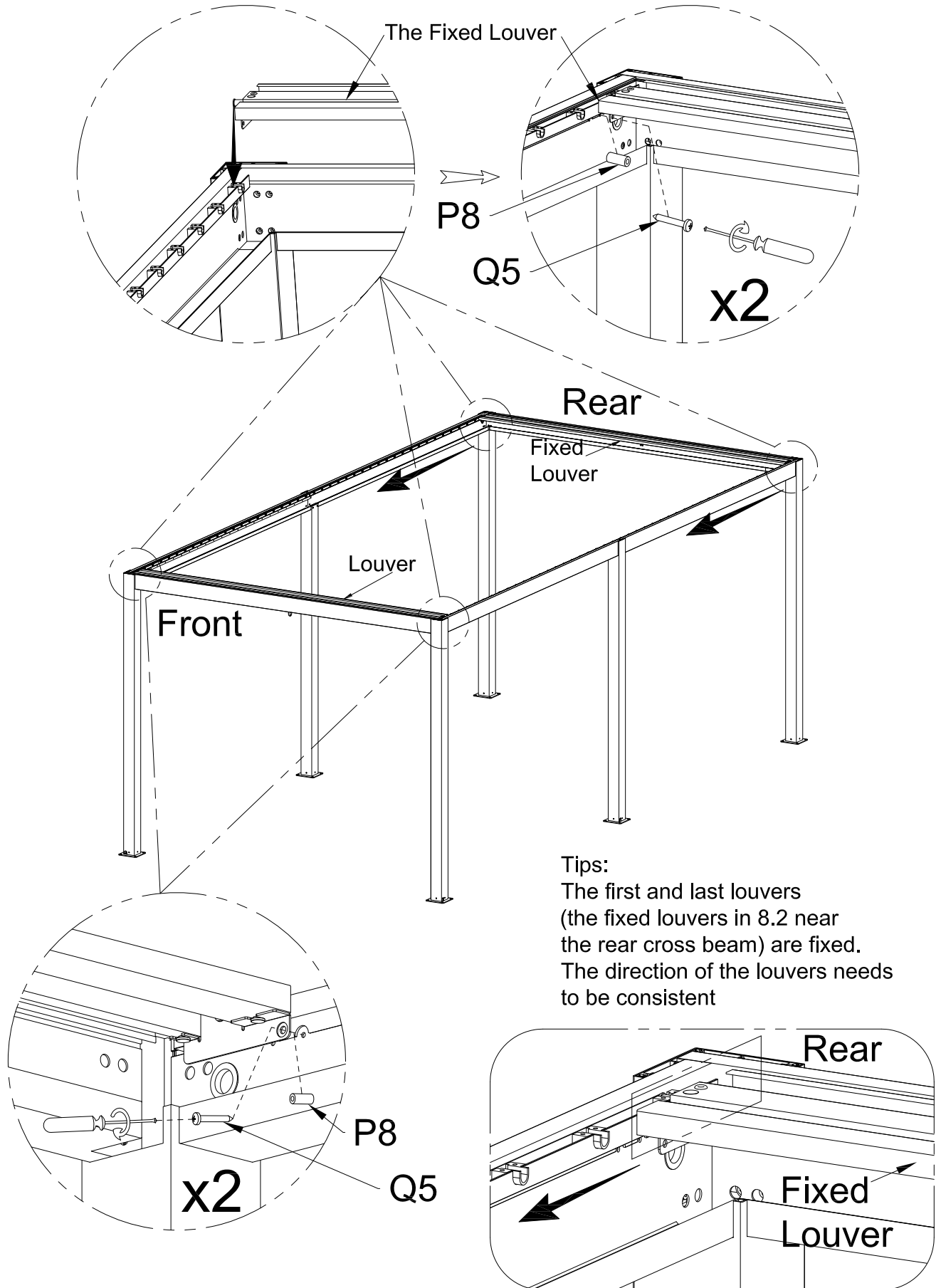
F		QTY:43PCS				
N1		QTY:43PCS	O1 	QTY:43PCS	Q4 	QTY:86PCS

## 6.2 Assemble fixed louver components x1


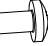


F		QTY:1PCS				
N2		QTY:1PCS	O2 	QTY:1PCS	Q4 	QTY:2PCS

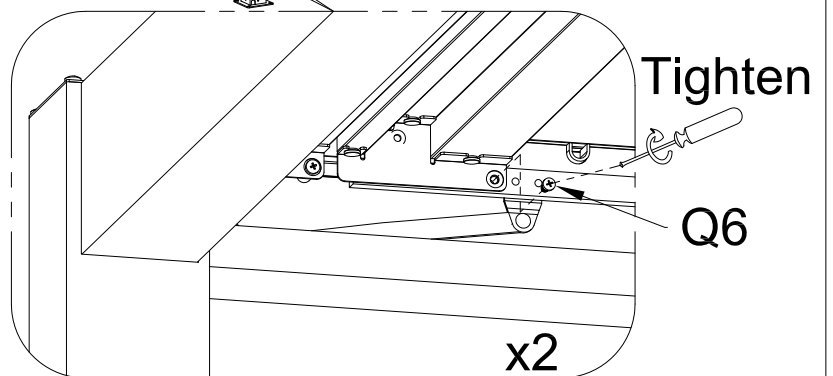
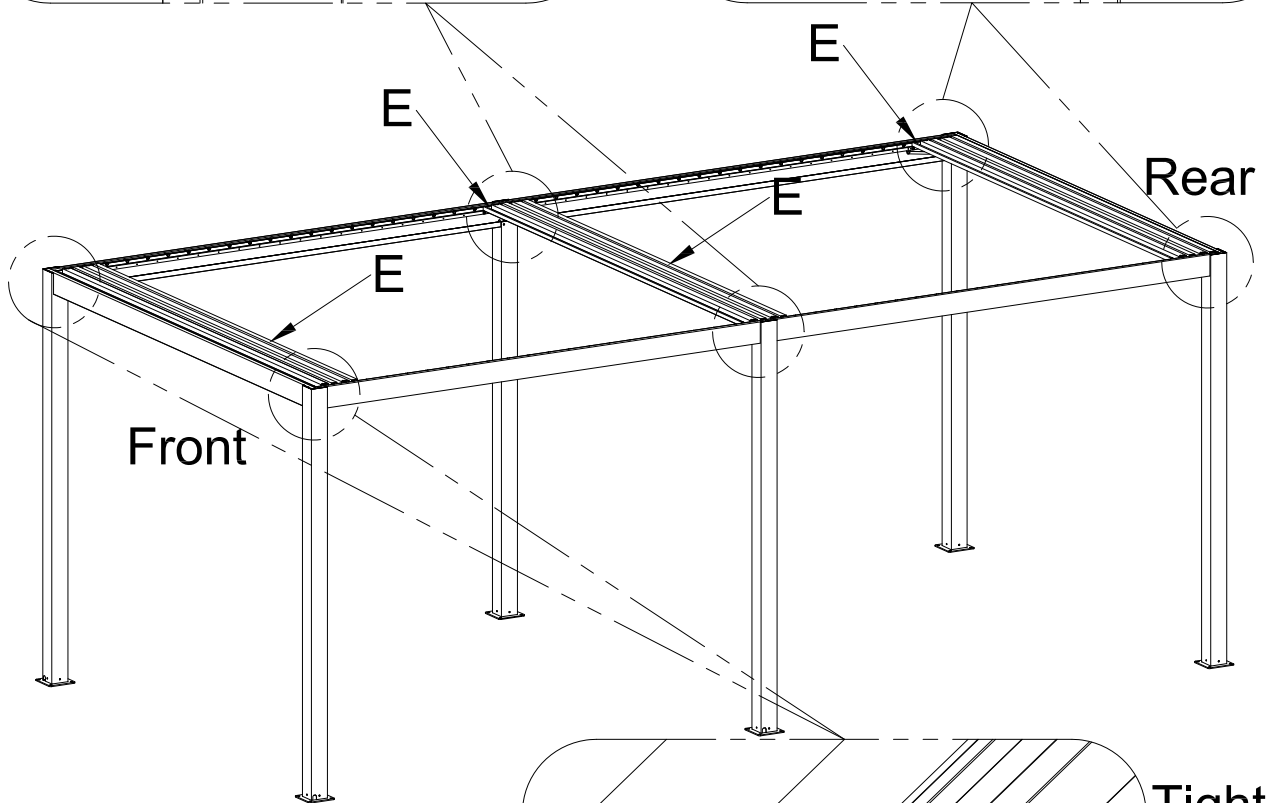
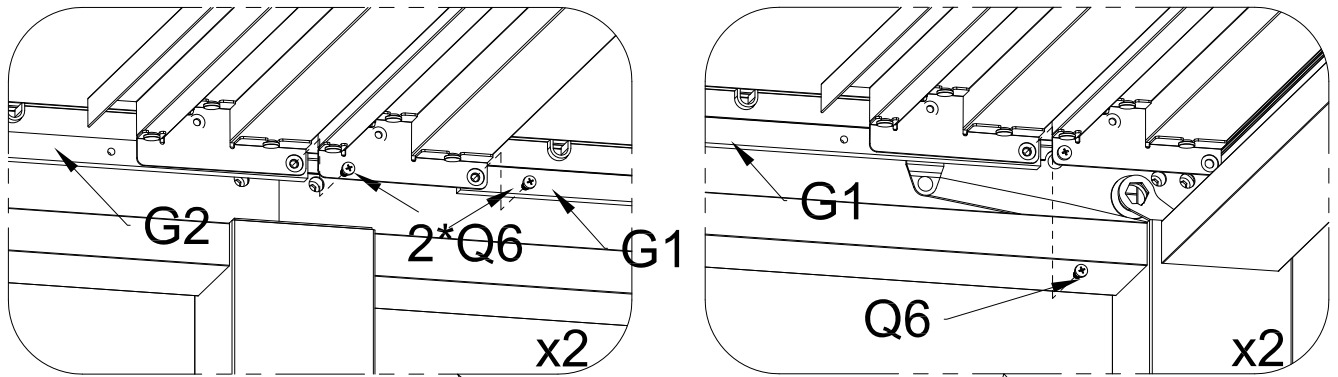
## 7. Install the 1st & last louvrers



**Tips:**  
 The first and last louvers  
 (the fixed louvers in 8.2 near  
 the rear cross beam) are fixed.  
 The direction of the louvers needs  
 to be consistent

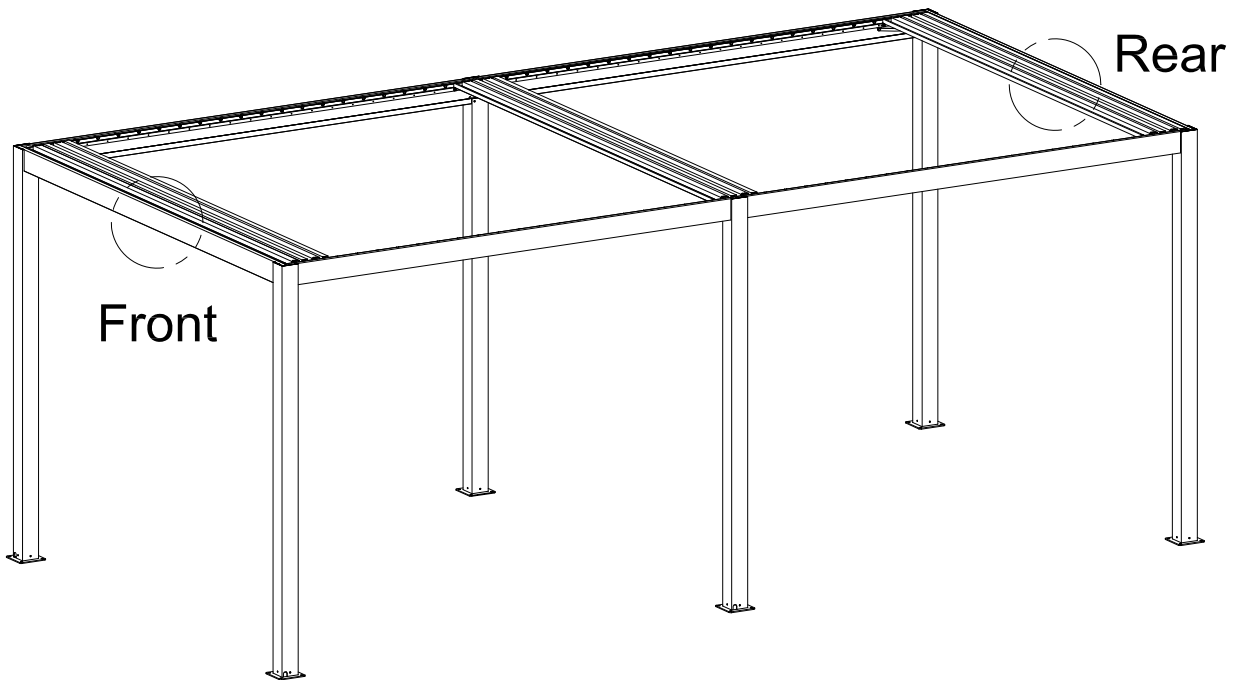
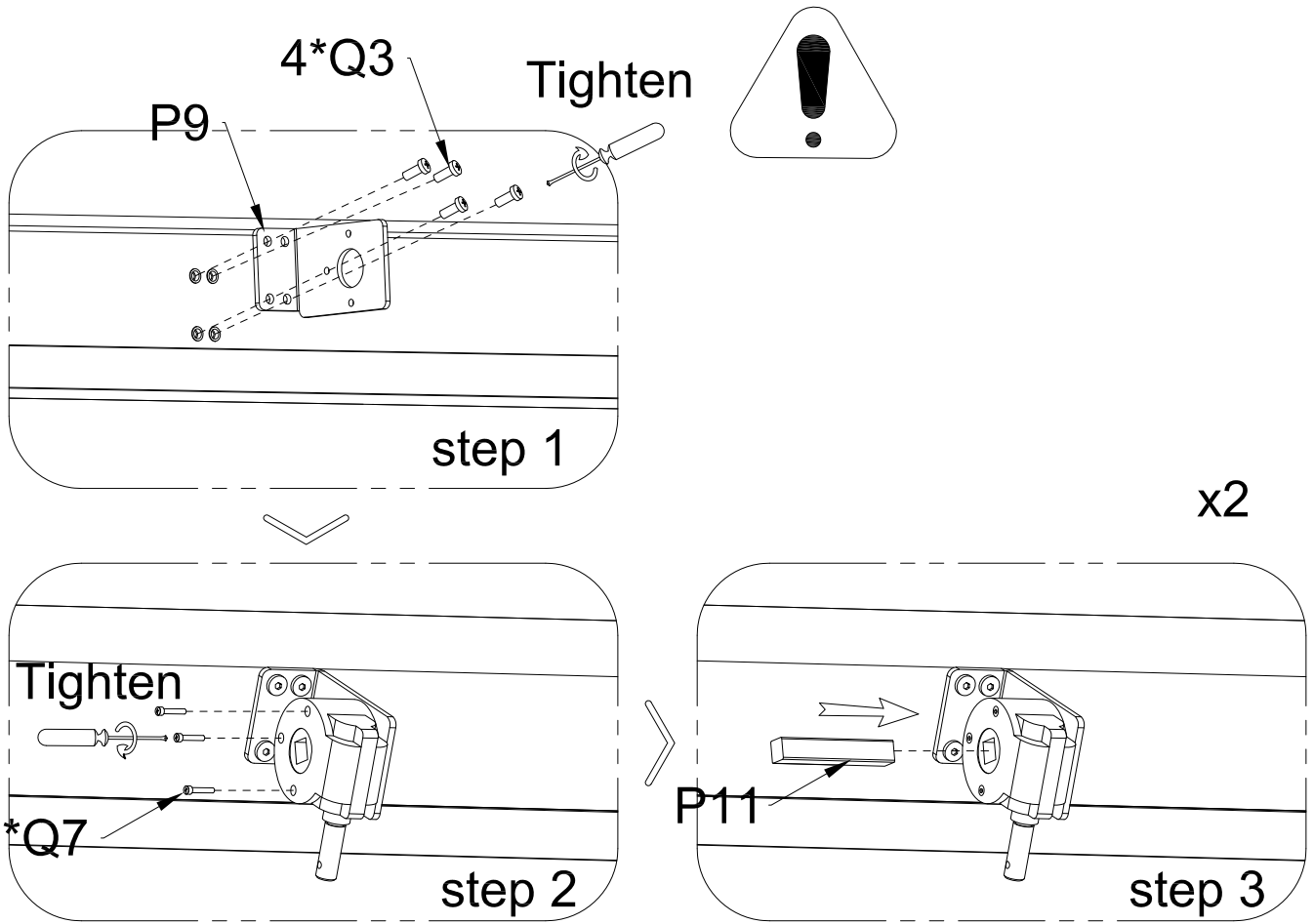
P8		QTY:4PCS	Q5		QTY:4PCS
ST4.8*32					

## 7.1 Install the 2nd & middle louvers



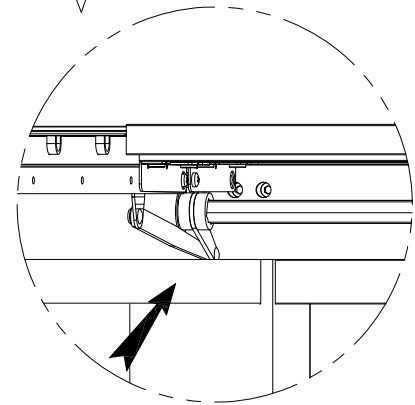
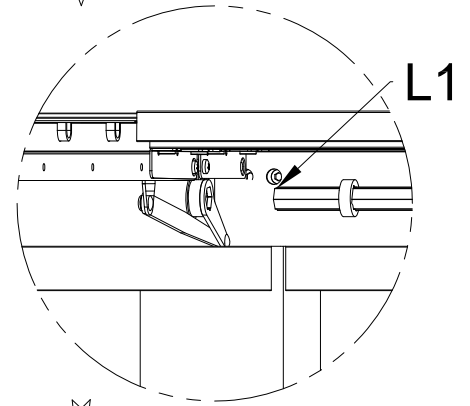
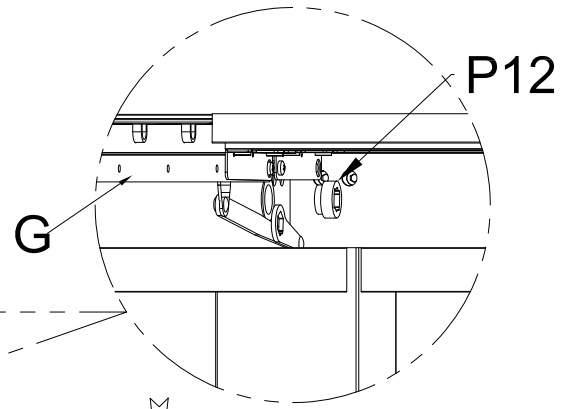
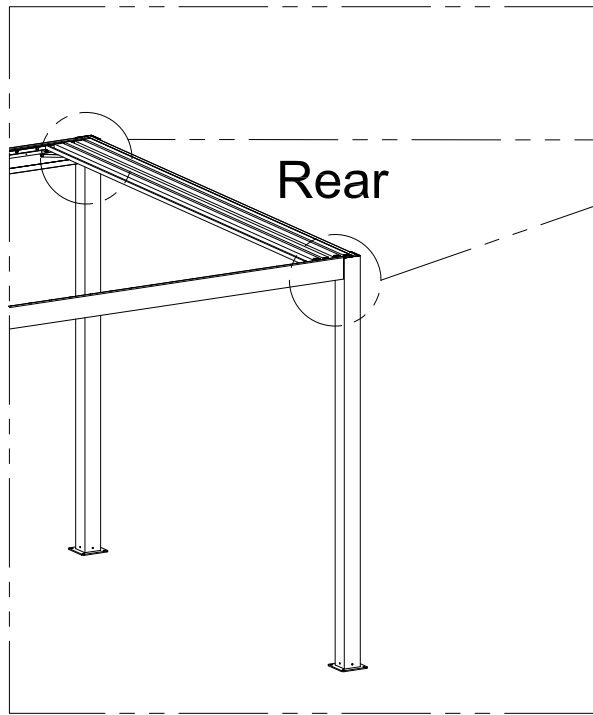
G1		QTY:1PCS	
G2		QTY:1PCS	
H1		QTY:1PCS	
H2		QTY:1PCS	
			Q6  QTY:8PCS N5*6*10

# 8. Install two sets of gear boxes on the front and rear crossbeams respectively

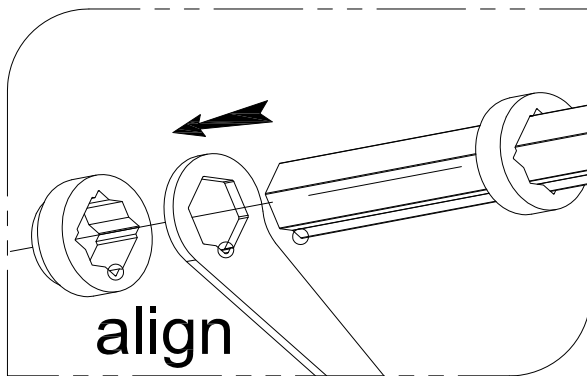


P9		QTY:2PCS	P10		QTY:2PCS	
P11		QTY:2PCS	Q3		M6*16 QTY:8PCS	
				Q7		M6*30 QTY:6PCS

# 8.1 Assemble rear crossbeam rotating shaft



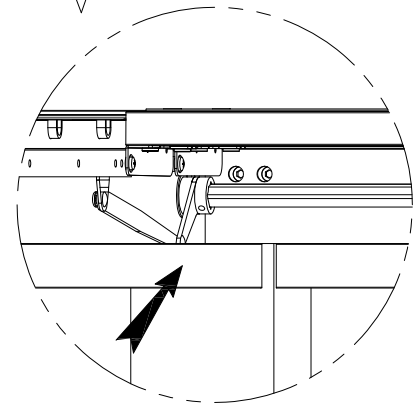
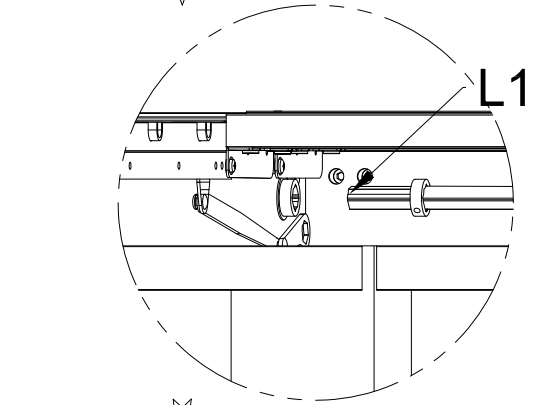
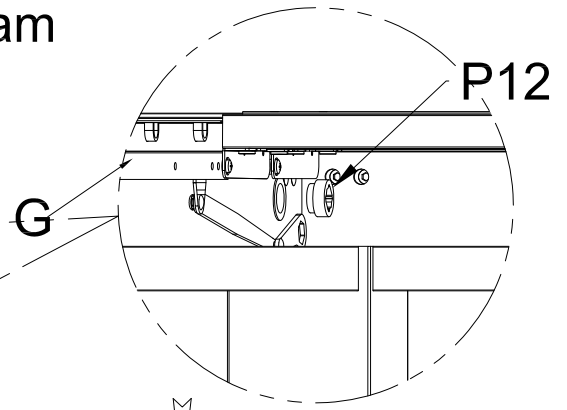
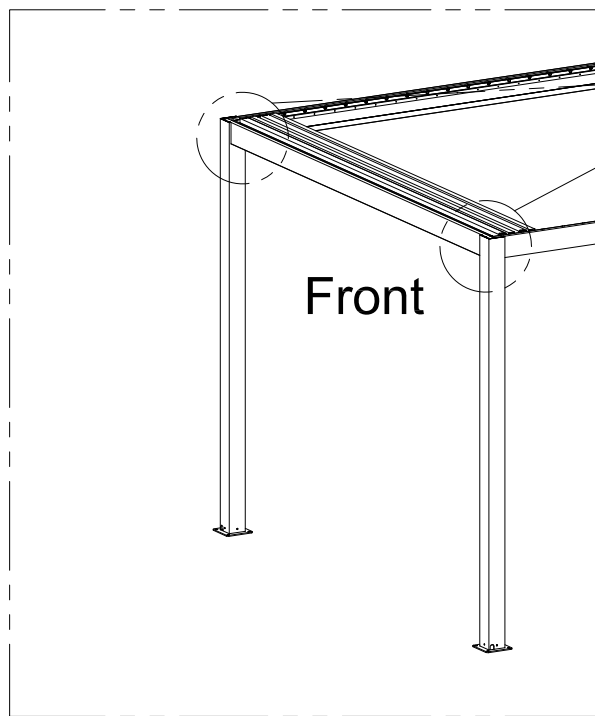
Please note that the installation steps shown in the diagram are single-sided installation methods  
The operation on the other side is the same



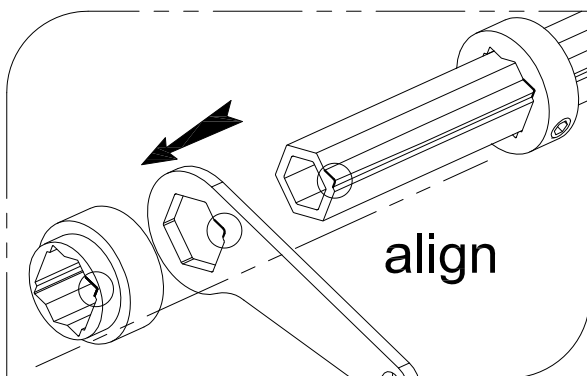
Note that the front crossbeam push rod needs to be installed according to the diagram

L1		QTY:1PCS		
L2		QTY:1PCS	P12	QTY:2PCS

## 8.2 Assembling the front crossbeam rotating shaft



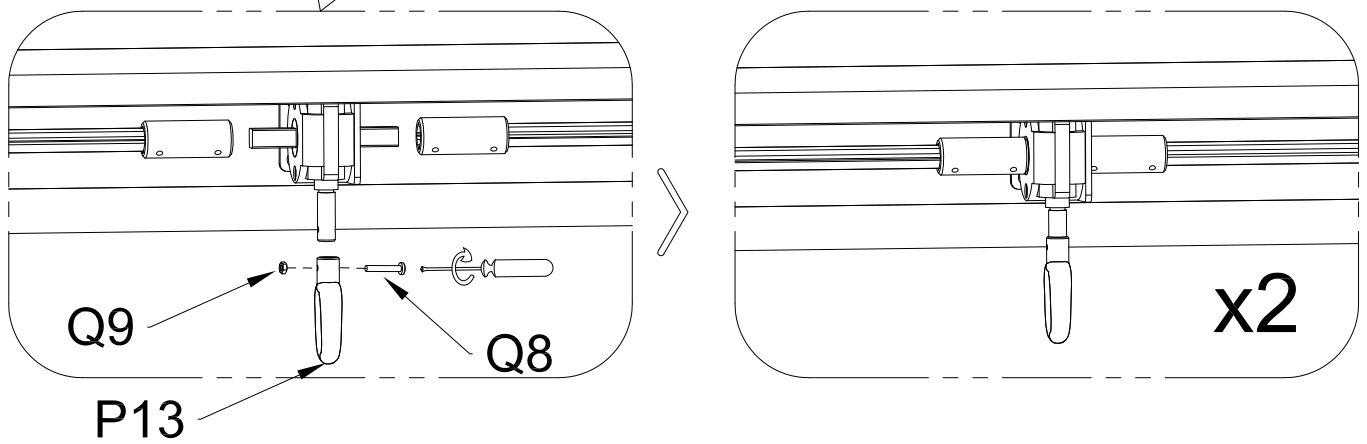
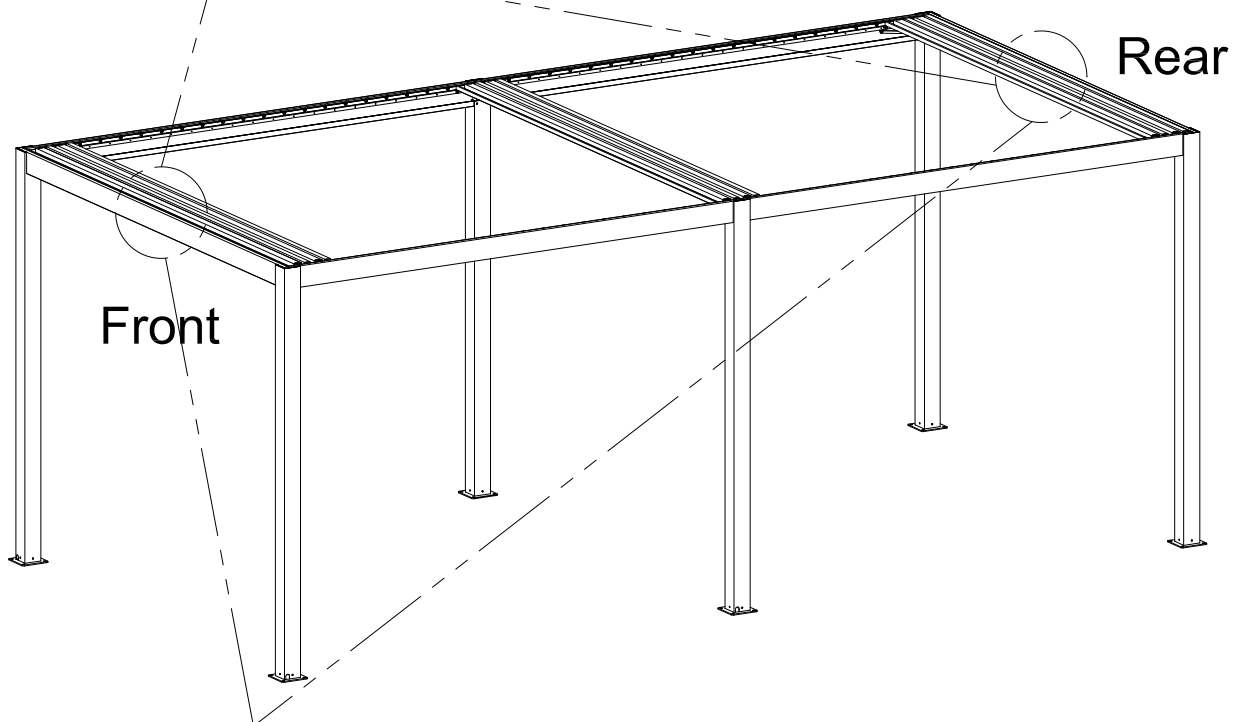
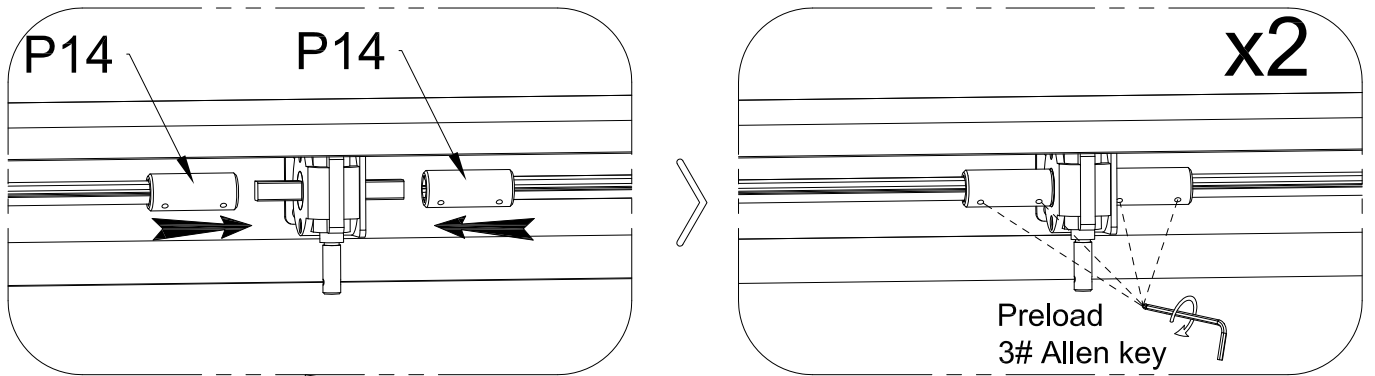
Please note that the installation steps shown in the diagram are single-sided installation methods  
The operation on the other side is the same



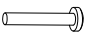



Note that the front crossbeam push rod needs to be installed according to the diagram

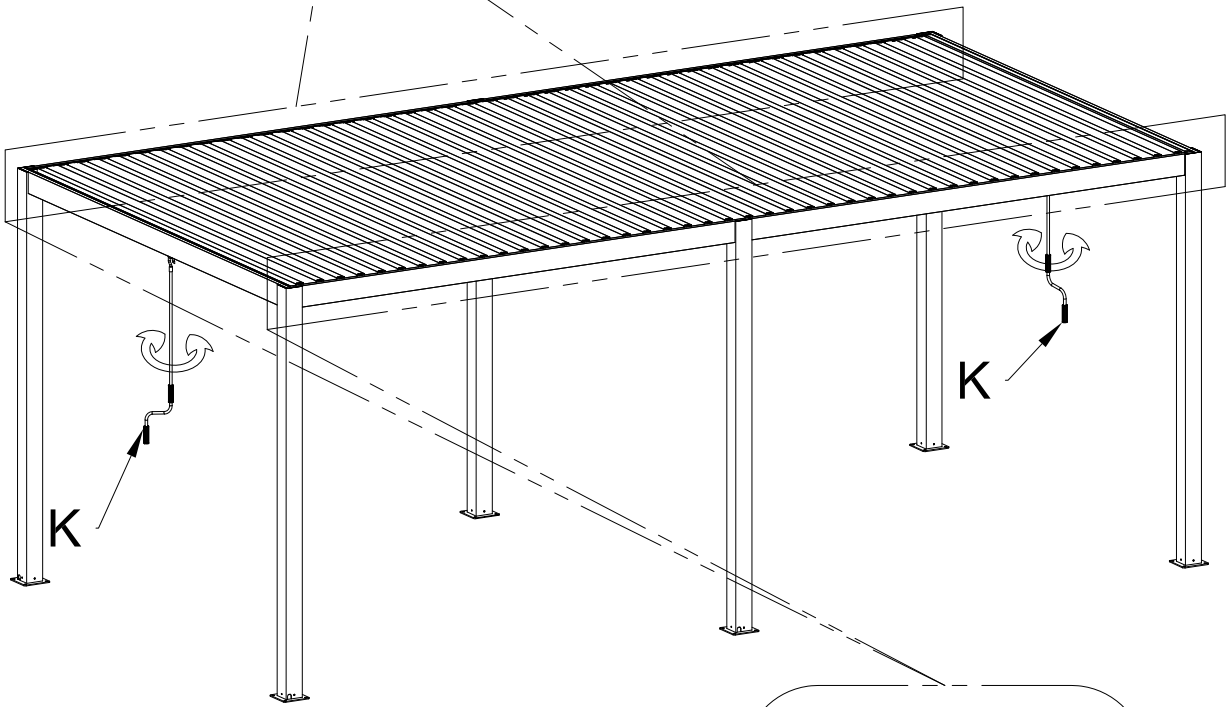
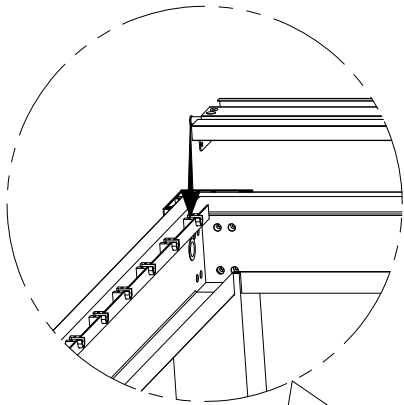
L1		QTY:1PCS		
L2		QTY:1PCS	P12	QTY:2PCS

### 8.3 Fix the connection between the hexagonal bar and the gearbox, and install the gearbox hinge ring

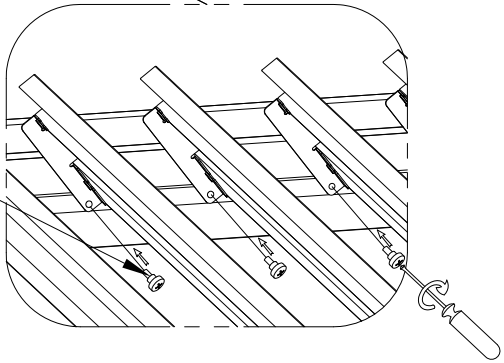


P13		QTY:2PCS	P14		QTY:4PCS
Q8	 M4*20	QTY:16PCS	Q9	 M4	QTY:16PCS

9.1 Insert all louvers and combine with push rods



9.2 Test the flexibility of opening and closing the product to ensure there are no abnormal sounds

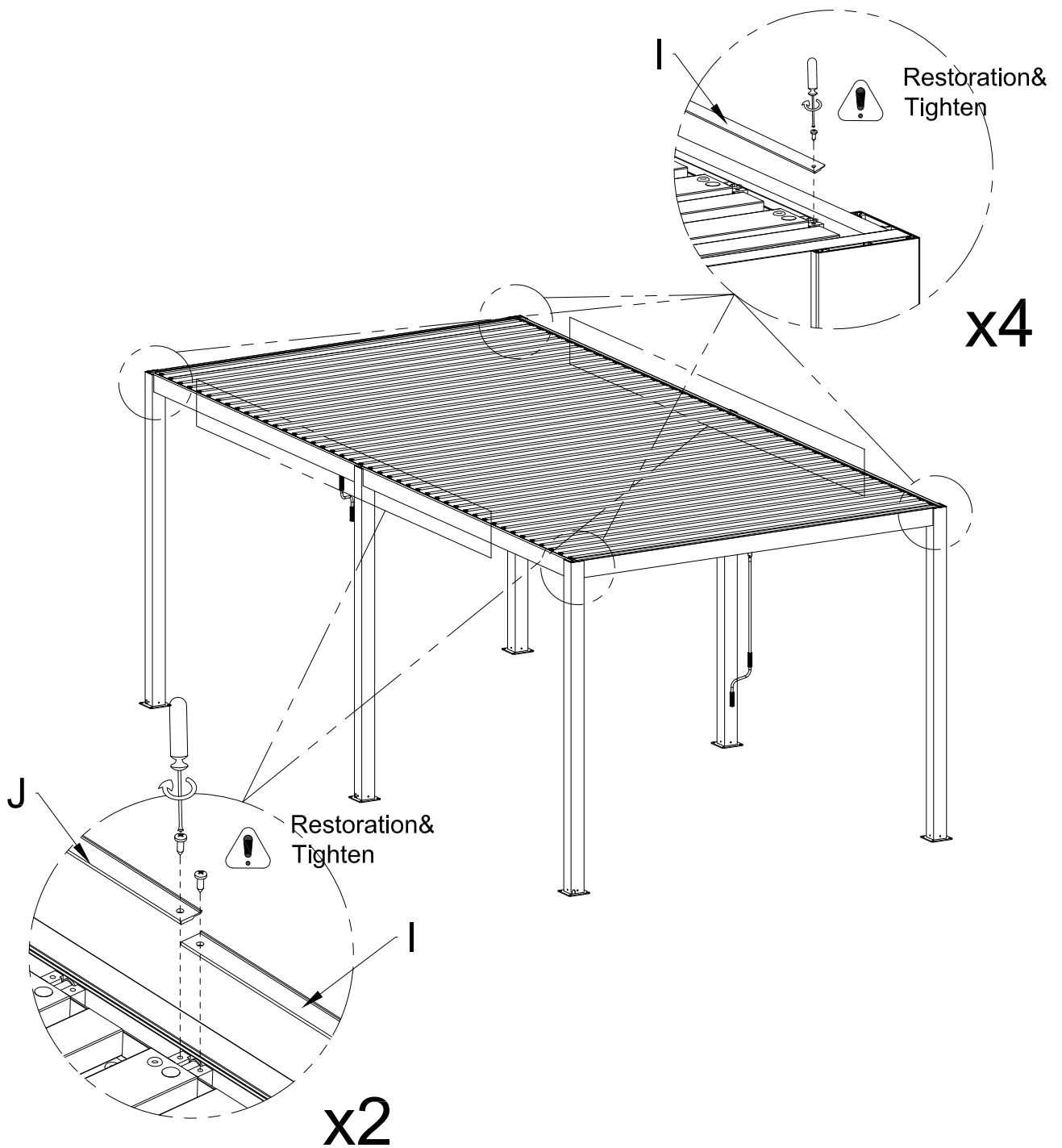


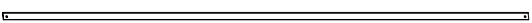

Tighten

K		QTY:2PCS	Q6	 QTY:80PCS M5*6*10
---	---	----------	----	--

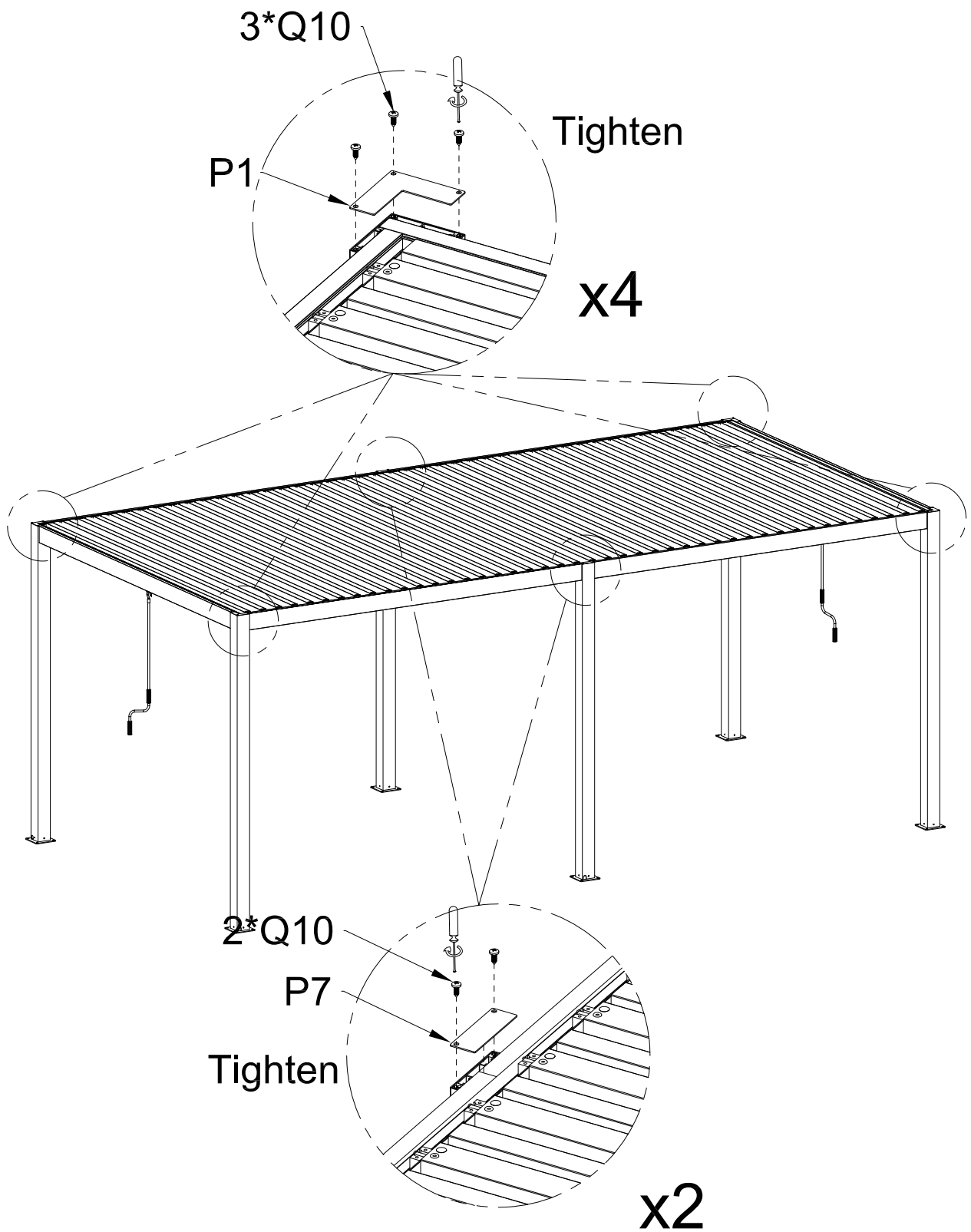
# 10. Please ensure recovery

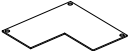


## Pre removed shaft seat cover plate



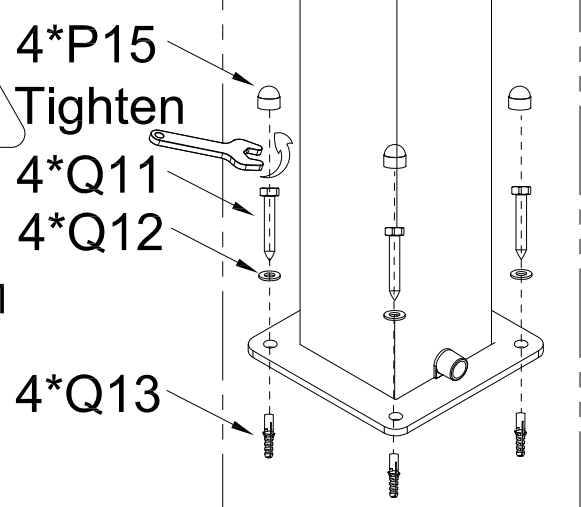
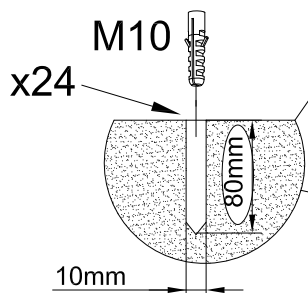
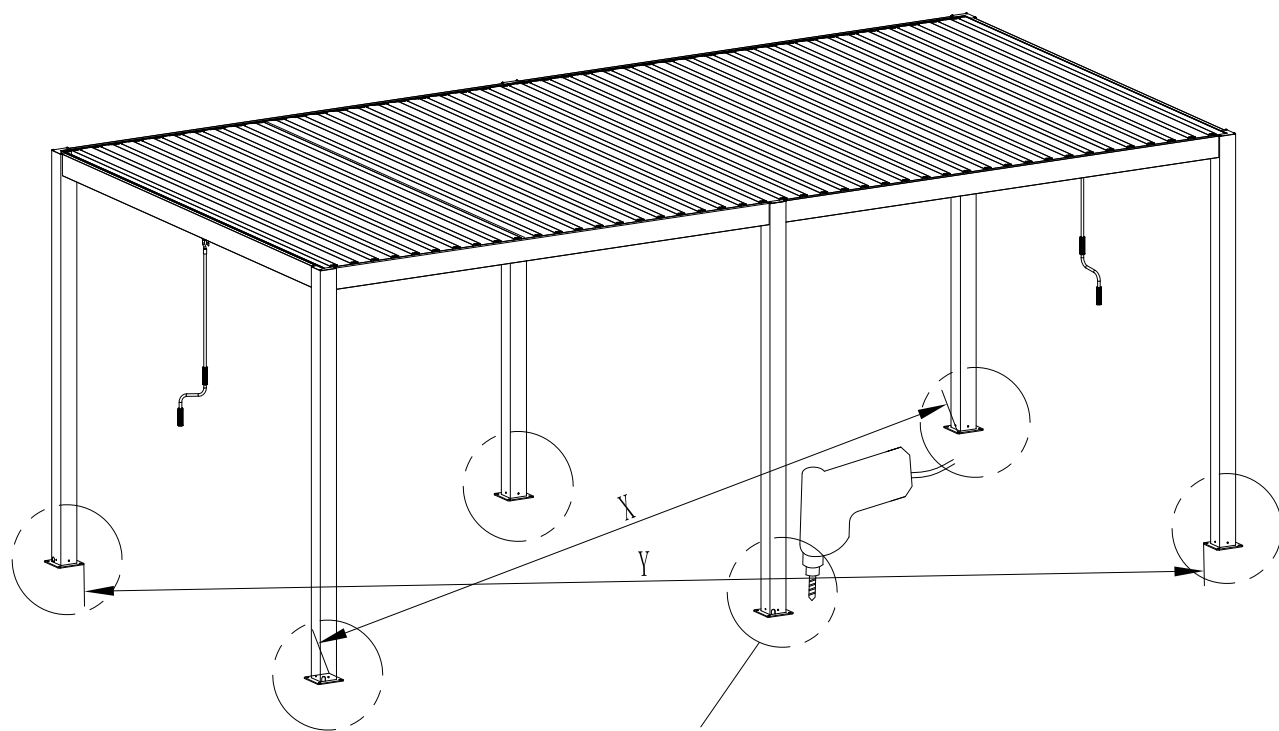
I		QTY:8PCS
J		QTY:4PCS

# 11. Fixed column cover plate


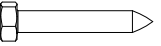




P1		QTY:4PCS
P7		QTY:2PCS
Q10		QTY:16PCS ST5.5×16

# 12. Fixed column



The length error between X and Y should not exceed 3CM

P15		QTY:24PCS
Q11	 M8*75	QTY:24PCS
Q12	 φ8*1	QTY:24PCS
Q13	 φ10*50	QTY:24PCS