



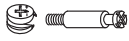










Wall Mounted Barndoor Bathroom Cabinet

EGP-HD-0476-A

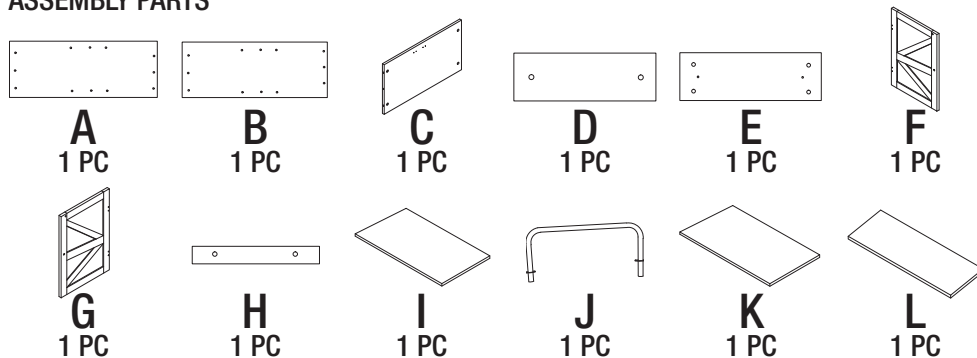


Questions? Call 1-877-969-2710 or email orders@excelloglobal.com

PROVIDED ASSEMBLY HARDWARE

| | | | | | |
|---|---|--------|----|---|--------|
| 1 |  | 8 SETS | 6 |  | 2 SETS |
| 2 |  | 2 SETS | 7 |  | 12 PCS |
| 3 |  | 6 PCS | 8 |  | 4 PCS |
| 4 |  | 2 SETS | 9 |  | 2 SETS |
| 5 |  | 4 SETS | 10 |  | 2 SETS |
| |  | 1 PC | | | |

ASSEMBLY PARTS



THANK YOU FOR PURCHASING FROM EXCELLO GLOBAL PRODUCTS!

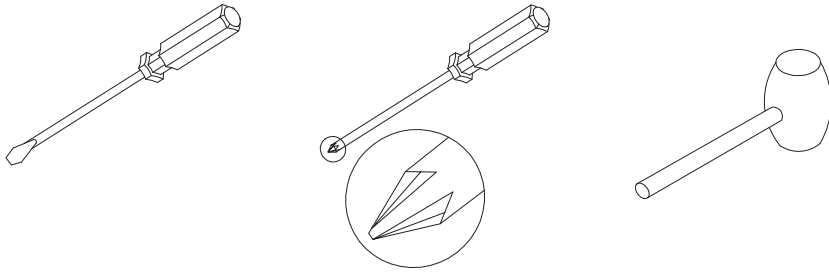
Missing Parts? Please Call 1-877-969-2710

Before you throw away the box, please check that you have all the parts listed below. If any are missing, please contact our customer service at the number above and we will gladly ship your replacement parts free of charge.

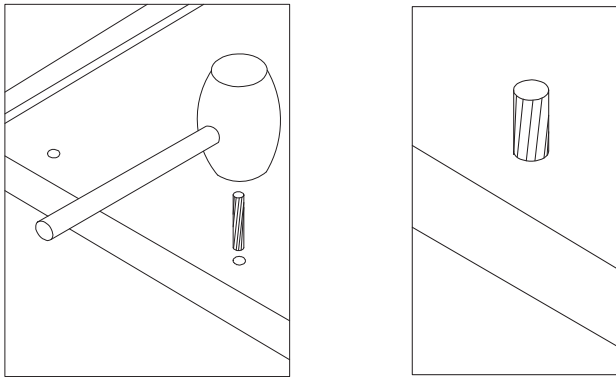
Please follow the instructions closely.

A few days after assembly, the product may acclimate to its new environment, requiring all the hardware to be tightened again.

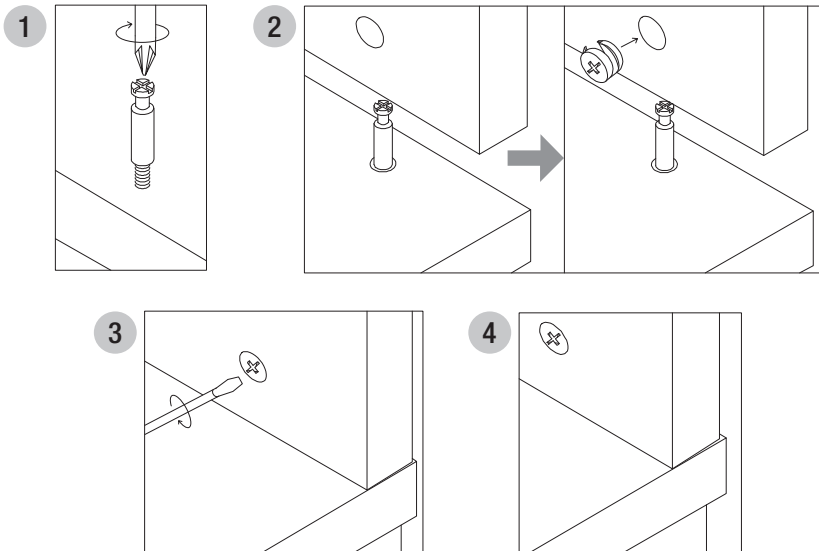
ASSEMBLY TOOLS REQUIRED



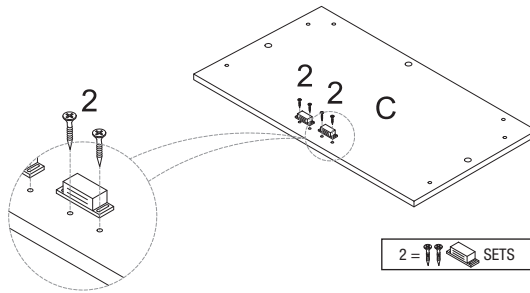
Wooden Dowel Installation



Hidden CAM bolt connector assembly technique.

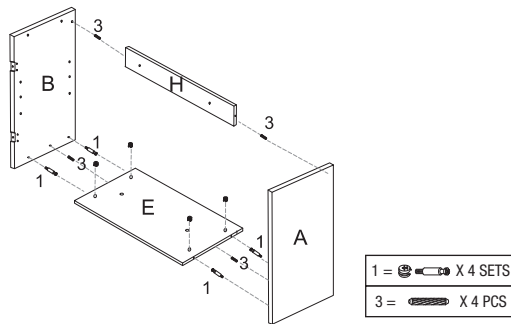


STEP 1



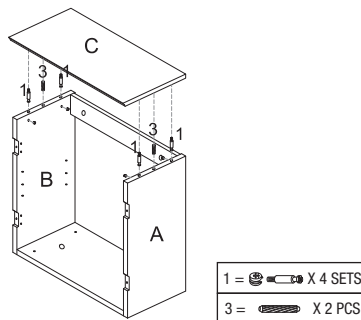
Assemble magnetic door stopper (2) to part (C) with screw (2).

STEP 2



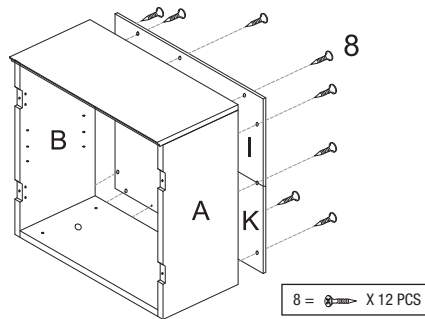
Assemble parts (A&B) to parts (E&H) with four sets cam locks (1) and four wooden dowels (3).

STEP 3



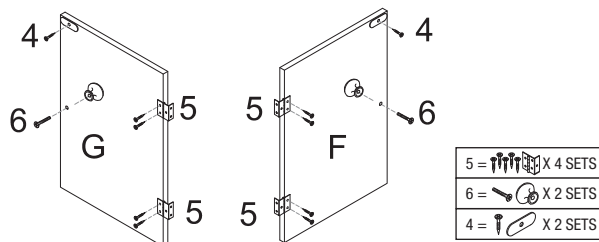
Assemble part (C) to parts (A&B) with four cam locks (1) and two wooden dowels (3).

STEP 4



Assemble back panel (I&K) with 12 metal screws (8).

STEP 5

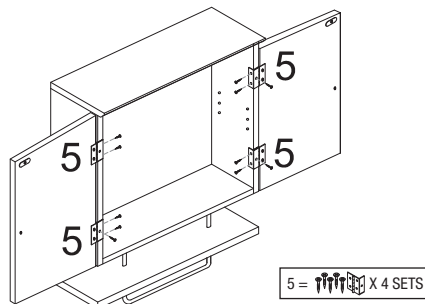


Assemble hinges (5) to parts (F&G) with screws (5).

Assemble magnetic strike plates (4) to parts (F&G) with screws (4).

Assemble door knobs (6) to parts (F&G) with bolts (6).

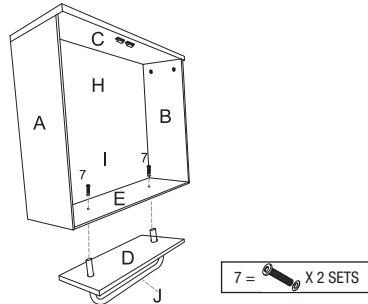
STEP 6



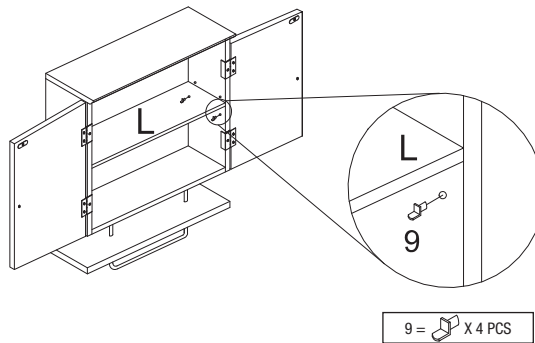
Assemble door panels (F&G) to cabinet with hinges (5) and screws (5).

STEP 7

Insert metal towel bar (J) into the holes of shelf (D&E), and connect to the cabinet through bottom holes using bolts (7).

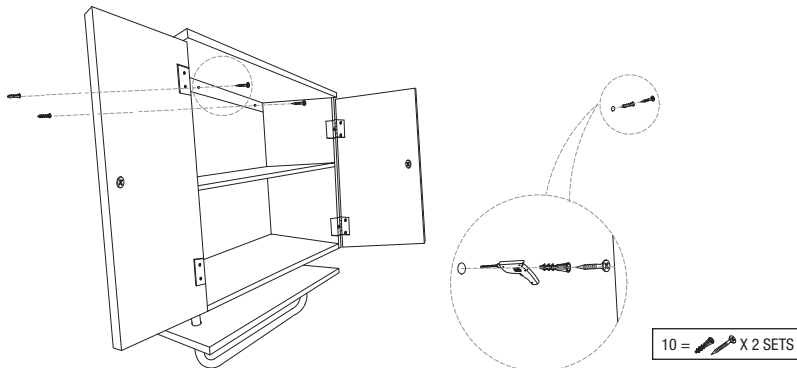


STEP 8



Put shelf pegs (9) into desired shelf height holes, and then put shelf (L) on top of pegs.

STEP 9



Attach the unit to the wall using the wall anchors and screws (10).

FINISHED



Questions? Call 1-877-969-2710 or email orders@excelloglobal.com

Wall Mounted Barndoor Bathroom Cabinet

EGP-HD-0476-A



★ ★ ★ ★ ★
EXCELLO
GLOBAL PRODUCTS®

Questions? Call 1-877-969-2710 or email orders@excelloglobal.com