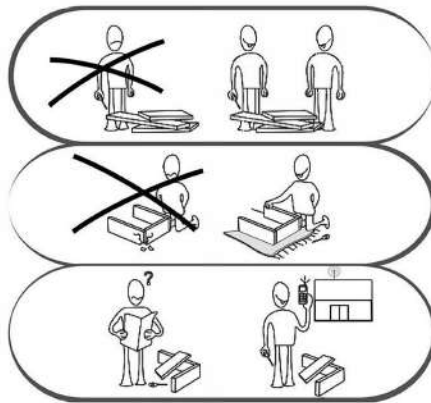
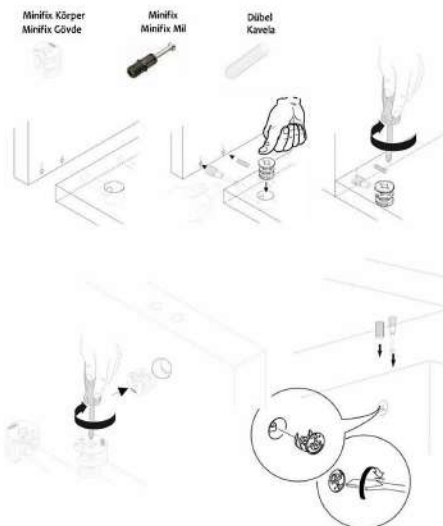


ASSEMBLY INSTRUCTIONS



Dear Customer,
 The product you bought was subjected to all sorts of tests and control before sending out to you. Even in this situation, sometimes happen that some component is damaged during the transportation. In such case please do not send the whole piece back to us, just request for the damaged part. While repairing the received part, please be careful by holding it correct and strong part will be sent to you as soon as possible. Before start assembling, please check the whole components and accessories according to the list. After being sure that every part and necessary are okay and right start assembling. Before start assembling, please check all the components with a sharp cloth if you bought more than one product to prevent oxidation be sure that you completed the first product. Then start the other product's assembling. Please clean the product. While carrying, please ensure inside the product and carry with minimum 2 people. For long distance carry the product with the package.
 It is not easy to clean the surface of your product. It is enough to wipe with a damp and soapy cloth or other household cleaners.
 Do not directly contact your furniture with excessive heat, cold and humidity because the product can be affected.

Minifix is the main connection material used in dekorister products.
 Before starting assembly, please check the drawings below...



In order to provide better service to you again and gain to the production process of the use of non-recycled waste material support, please let us ... Let us preserve the environment for a better WORLD. Thank you for choosing us :)

1

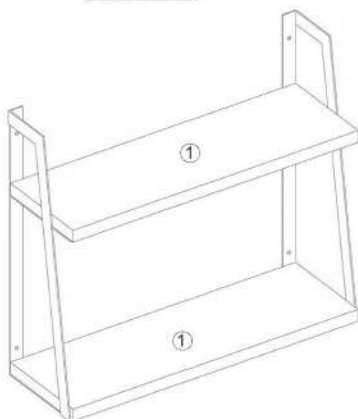


The necessary size (not included)

ACCESSORY LIST

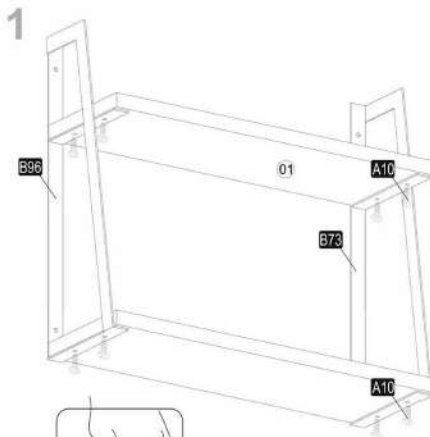
A10	3,5x18 YHB	A08	4x50 YHB	B73	A08	08	B06
	8x		4x	(DIBEL KAVOLA)	1x		4x (DIBEL KAVOLA)
							1x

GENERAL VIEW



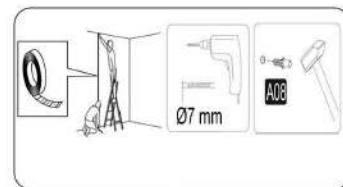
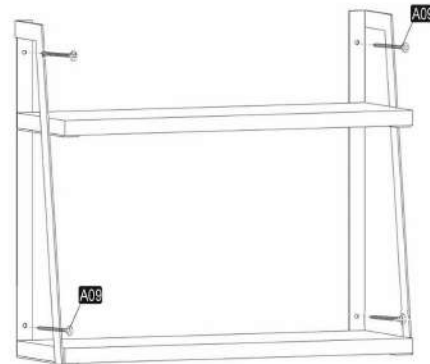
4

ASSEMBLY MANUAL



5

2



6

3



7

7