

ASSEMBLY INSTRUCTION

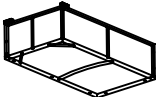
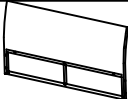




IMPORTANT NOTE

- Please read entire instruction before assembly.
- Carefully unpack and identify all parts packed in the carton against the parts and hardware list.
- To avoid any scratches, please assemble on a soft mat or similar surface.
- For the convenience, assembly by two people is recommended.
- For the safety, keep the hardware out of reach of children.
- Your cushions are most likely underneath the table or between frames.

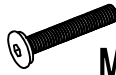




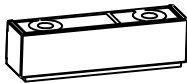

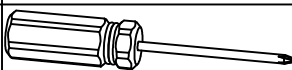


2-SEAT SOFA WITH LEFT-ARMREST

PARTS LIST

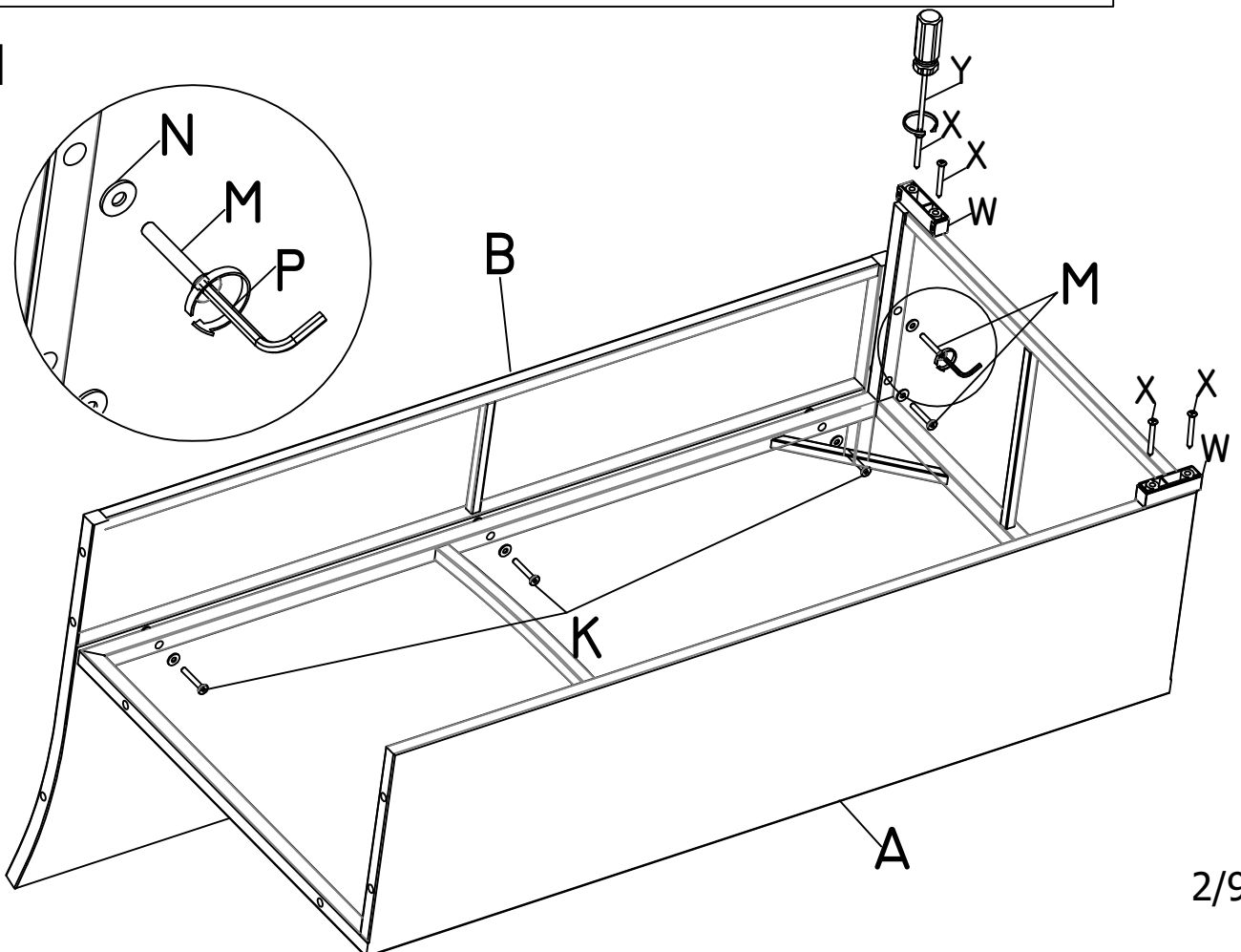
A		1PC
B		1PC
C		1PC
D		2PCS
EI		2PCS
F		1PC

HARDWARE LIST

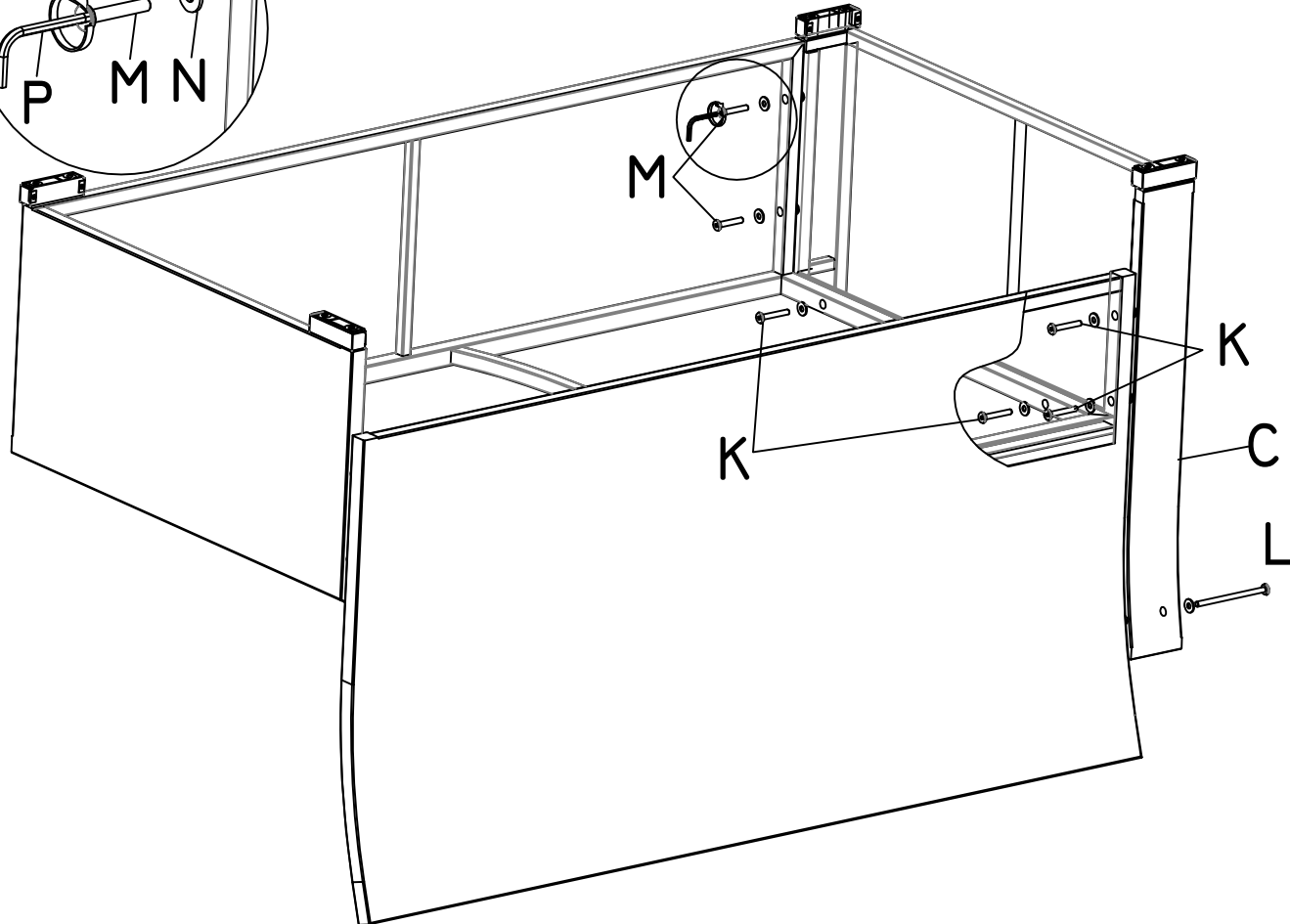
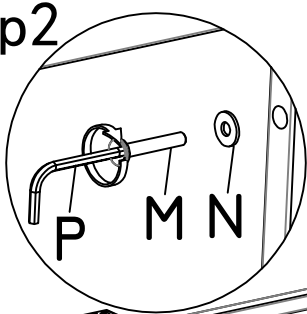
K	 M6*40	7PCS
L	 M6*100	1PC
M	 M6*35	4PCS
N		12PCS
P		1PC
W		2PCS
X		4PCS
Y		1PC

NOTE: Do not tighten bolts until all parts are connected.
Washers must be used.

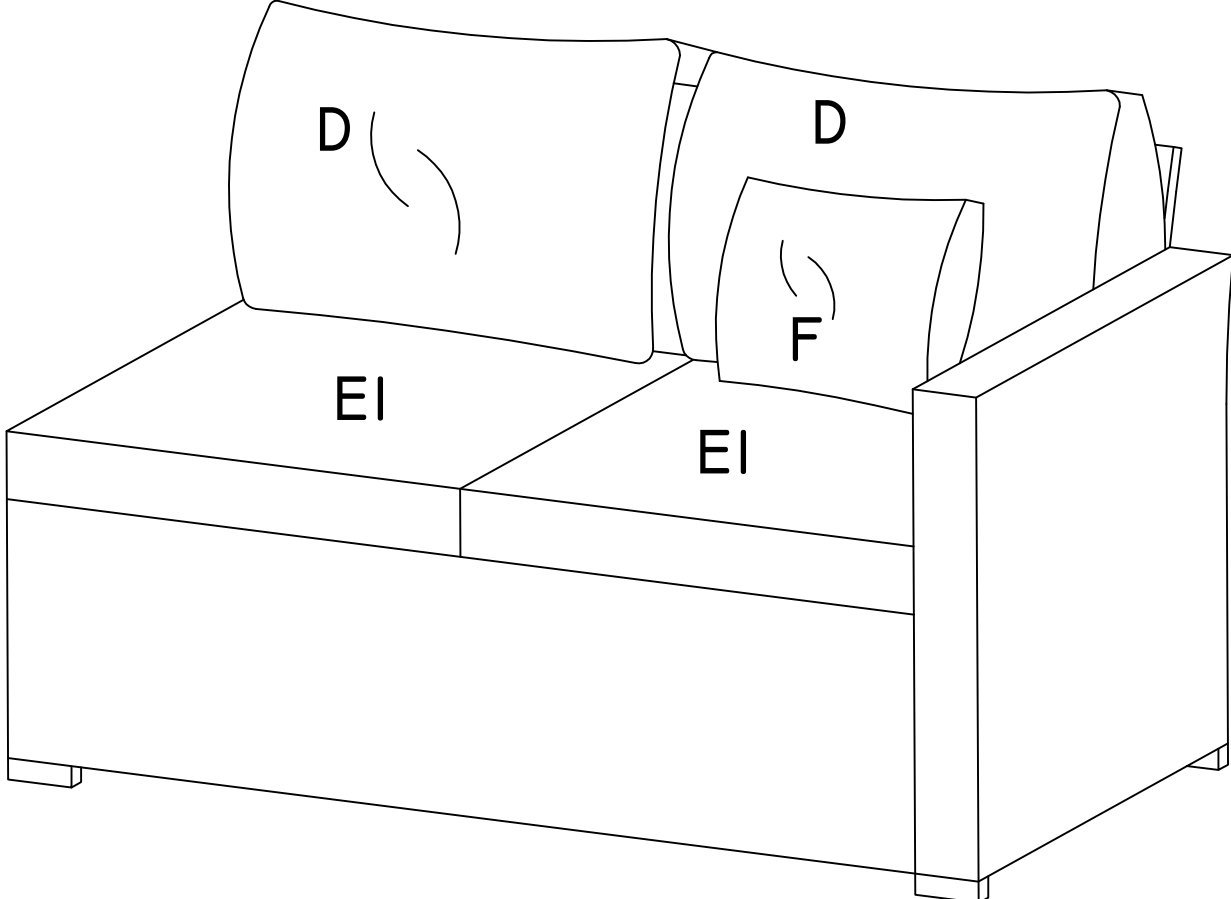
Step1



Step 2

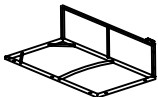






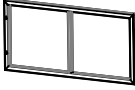
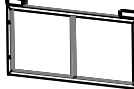


Completed unit



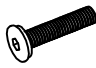
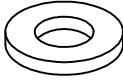

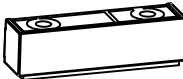

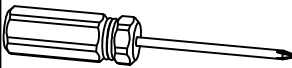


LOUNGESOFA

PARTS LIST

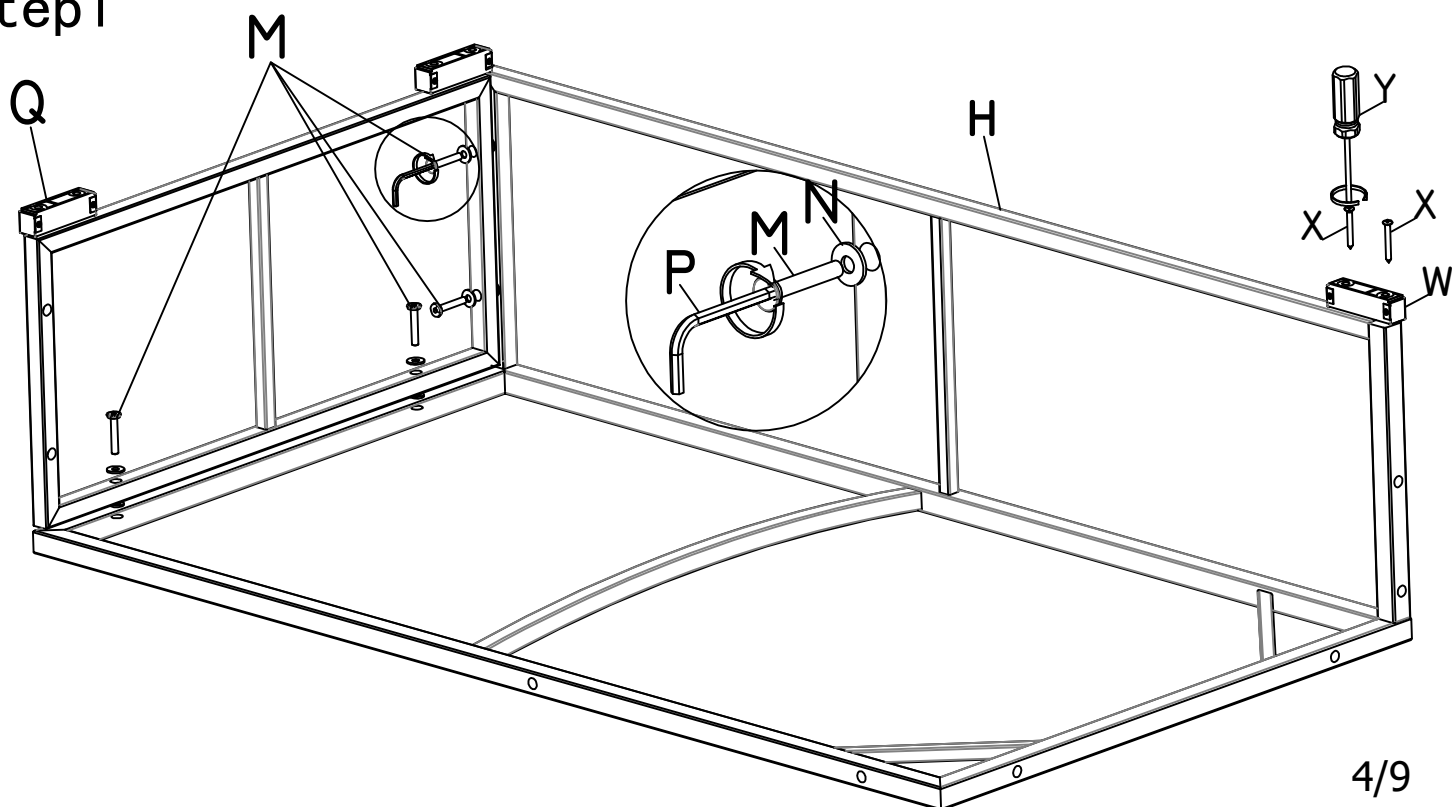
H		1PC
I		1PC
J		1PC
D		1PC
E2		1PC
E3		1PC
F		1PC
O		1PC
Q		1PC

HARDWARE LIST

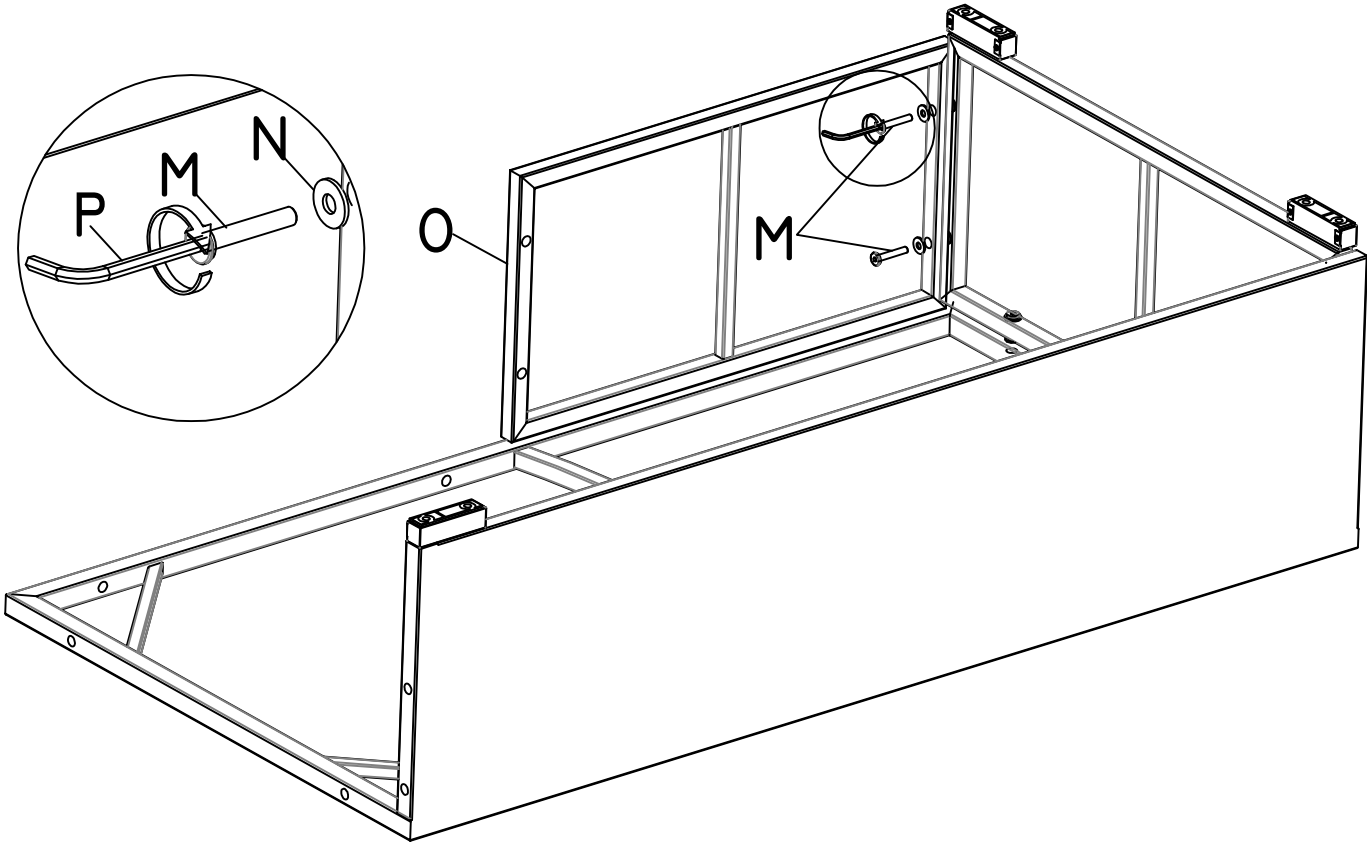
K	 M6*40	6PCS
L	 M6*100	1PC
M	 M6*35	10PCS
N		17PCS
P		1PC
W		1PC
X		2PCS
Y		1PC

NOTE: Do not tighten bolts until all parts are connected.
Washers must be used.

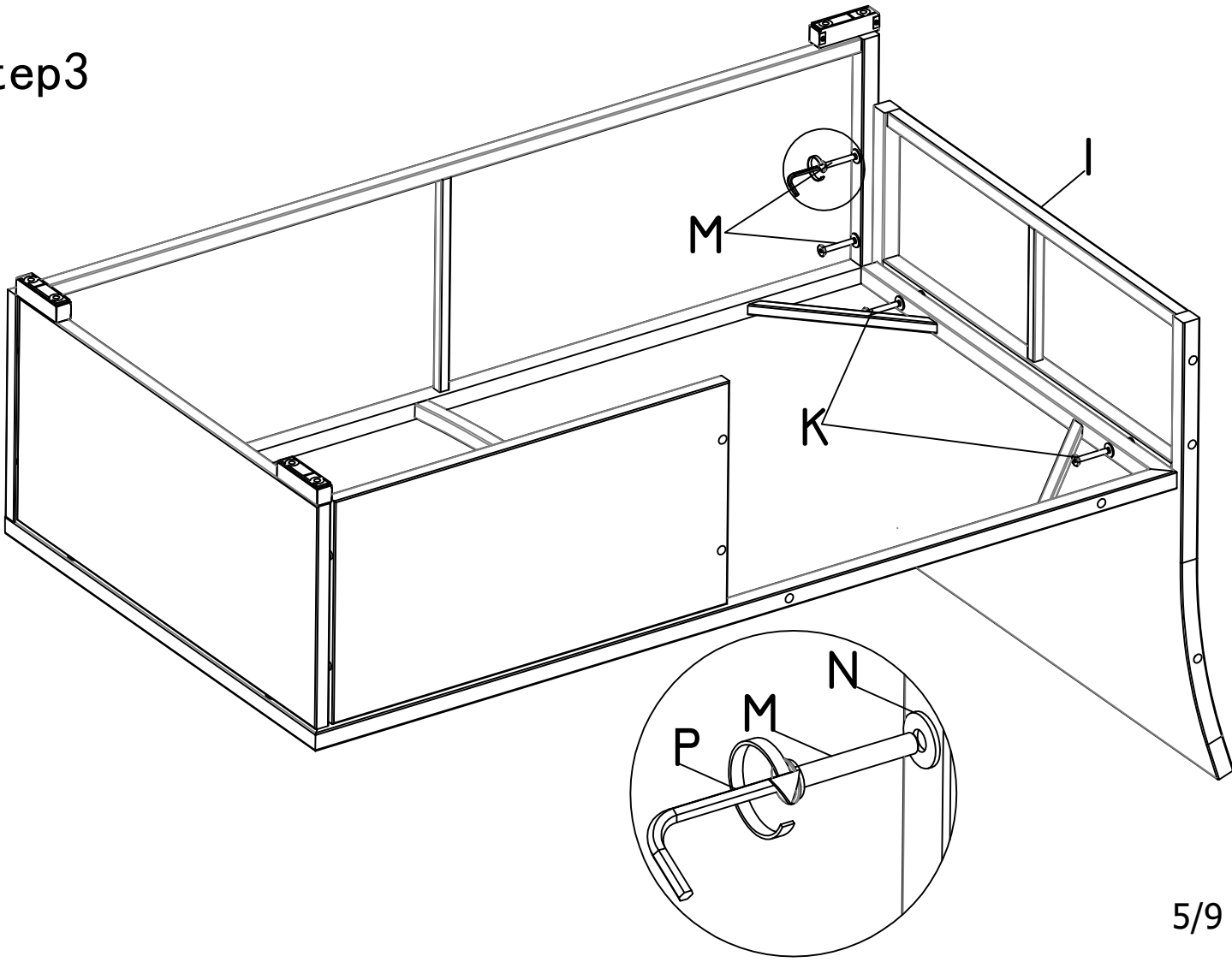
Step1



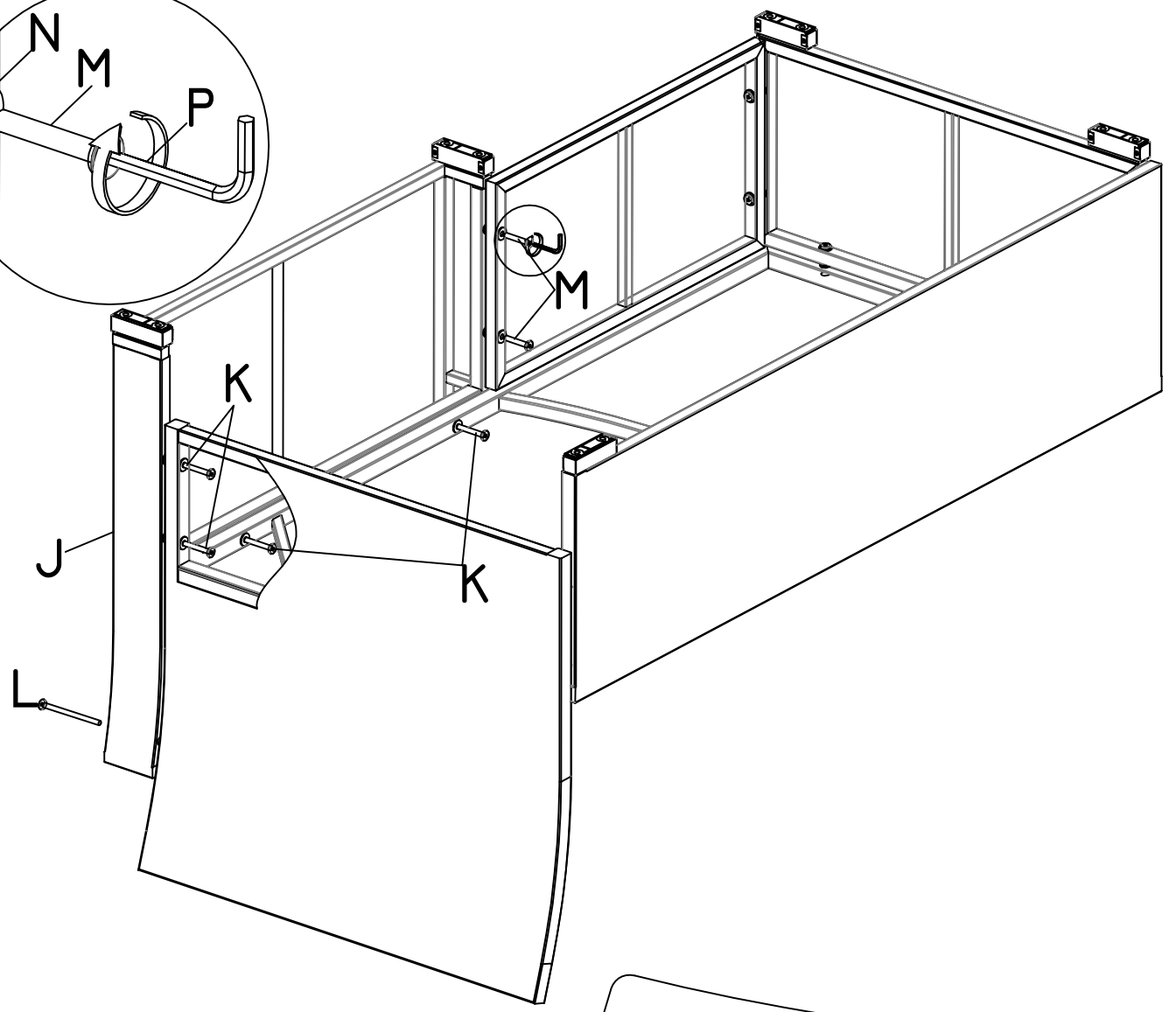
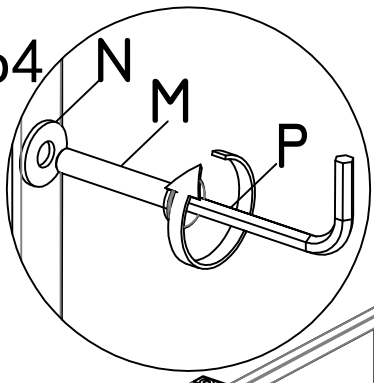
Step2



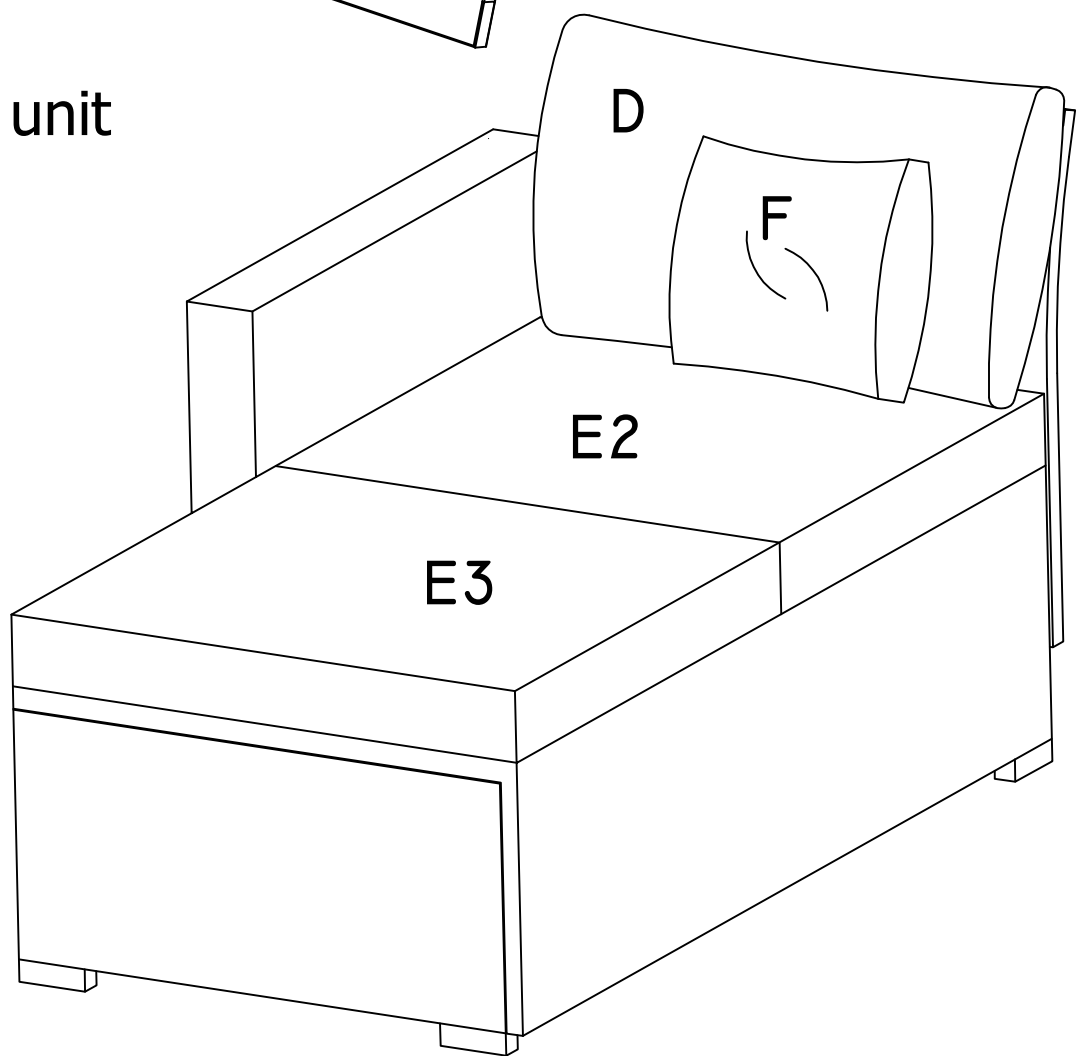
Step3



Step 4


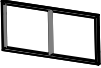
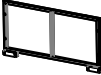

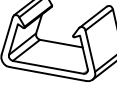


Completed unit


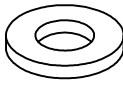



COFFEE TABLE

PARTS LIST

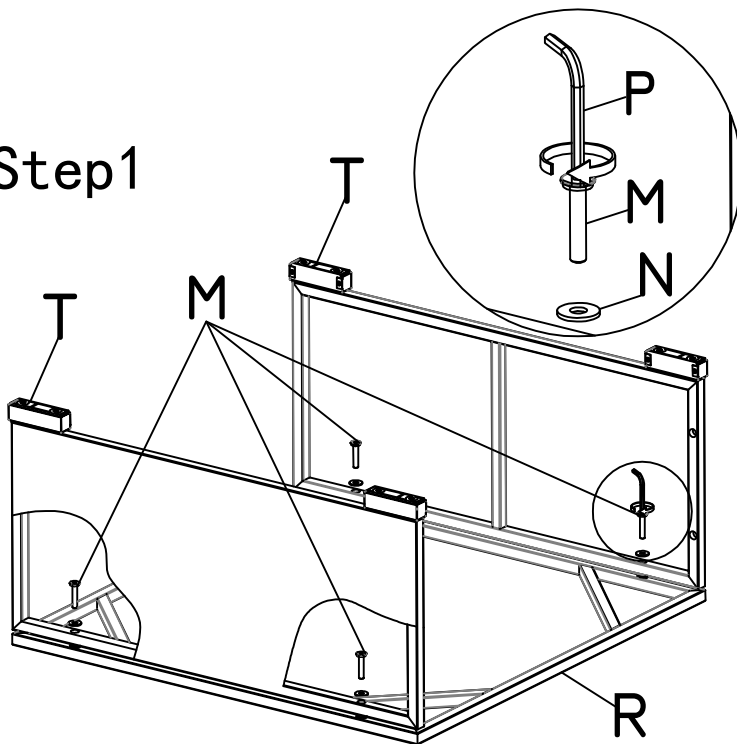
R		1PC
S		2PCS
T		2PCS
U		1PC
V		2PCS

HARDWARE LIST

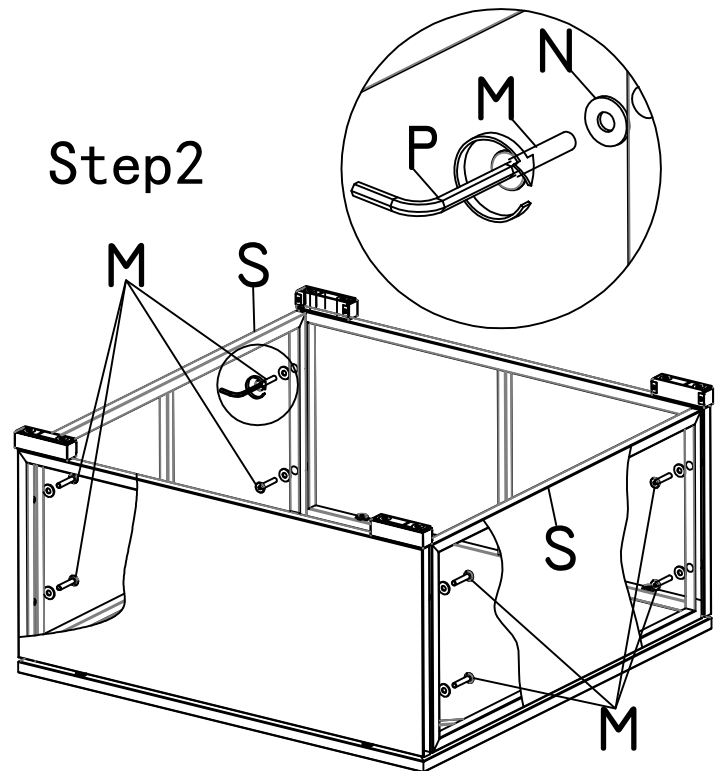
M		M6*35	12PCS
N			12PCS
P			1PC

NOTE: Do not tighten bolts until all parts are connected.
Washers must be used.

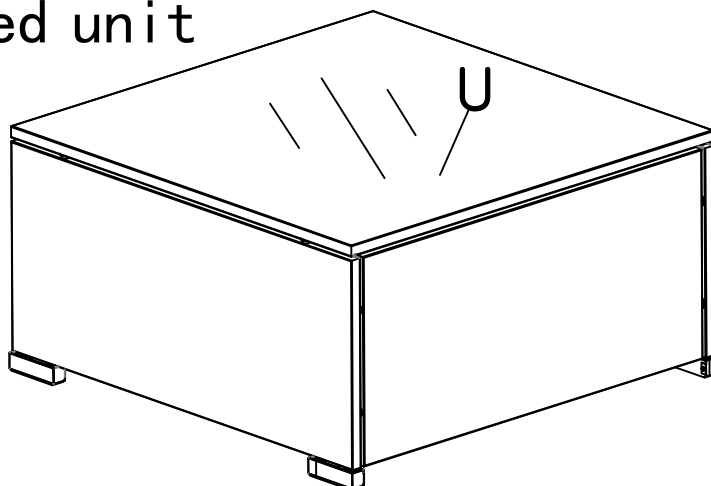
Step1



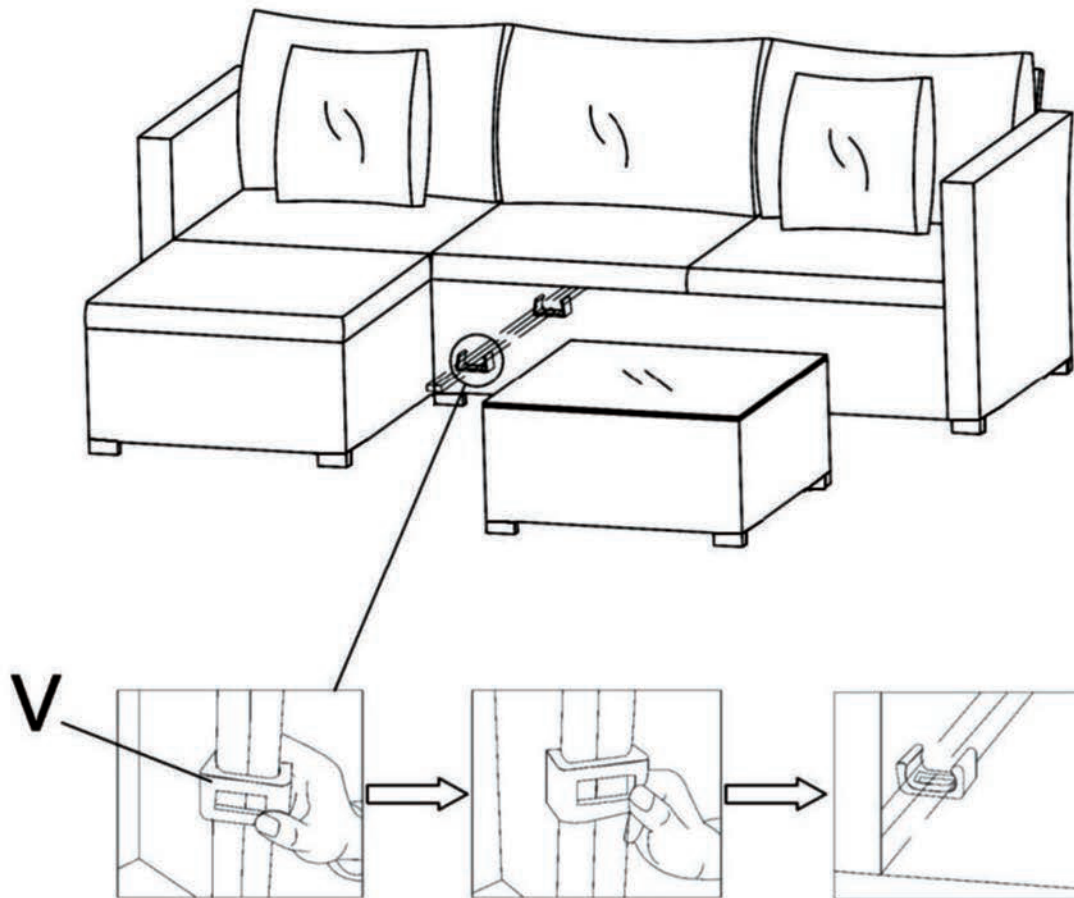
Step2



Completed unit

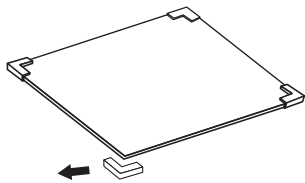


CONNECTORS

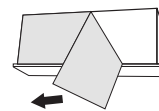


Friendly Tips

·**GLASS** - The four black plastic protectors could be removed in use.



·**ALUMINUM FEET** - Please remove the blue sheet covered on the aluminum in use. It covered for protection in transit.



·**EXTRA TWO ALUMINUM FEET** - There are two extra aluminum feet could be installed to the loveseat and lounge (This step is optional)

CLEANING & CARE

- **TO CLEAN: WICKER FURNITURE** may be wiped with damp cloth or rinsed with clean water and dried with a soft absorbent cloth towel. **CUSHIONS** may be cleaned with cold water by hand or rinsed. For deeper cleaning, spot clean with mild soap. After cleaning cushions tip on end and allow to drip dry. Do not use a dryer to tumble dry fabric goods. Do not machine wash or use chlorine bleach, solvents or abrasives cleaner to clean any product!
- Do not expose the furniture to extreme heat, cold, or humidity, which may cause discoloration and shorten the product lifetime.
- Do not leave the furniture wet with beads of water standing on the furniture.
- Cover furniture with outdoor covers when left outside during inclement weather or when not in use. To prevent mildew, never wrap cushions in plastic for storage. Make sure the unit is completely dry before storage.
- Re-tighten bolts if your furniture feel wobbly or loose since the bolts may slightly loosen over time. Tighten screws securely, do not over tighten.
- Do not stand or climb on unit.

WARRANTY PROGRAM

- 1-year warranty from date of delivery.
- **Frames:**1-year warranty on our Frames against manufacturer defects and structural failure (such as broken frame and welds) under normal use and conditions.
- **Wicker:**1-year warranty against fading and cracking of wicker under normal use and conditions.
- **Cushion Inserts:**1-year warranty against manufacturer defects or excessive deformity of cushions under normal use and condition.
- Please note the limitation as follow.

ABOUT RETURN

- We accept returns for up to 30 days from the date of original delivery. Items returned must be in their original packaging or acceptable packaging, along with all accessories in the original shipment.
- Please note the limitation as follow.

IMPORTANT LIMITATION

- Please note that the warranty does not cover any problems caused by (a) misuse of the product, including commercial use, accidents, abuse, neglect, heat and humidity or (b) modification or any misuse contrary to the intended uses of the product, (c) damage caused by other equipment or (d) consequential damage, incidental damages or any costs related to construction, setup and assembly as incurred by 3rd party involvement.
- The warranties apply in normal residential use only and are not intended for commercial use.
- The limited warranties described above are extended to the original purchaser of the product only.