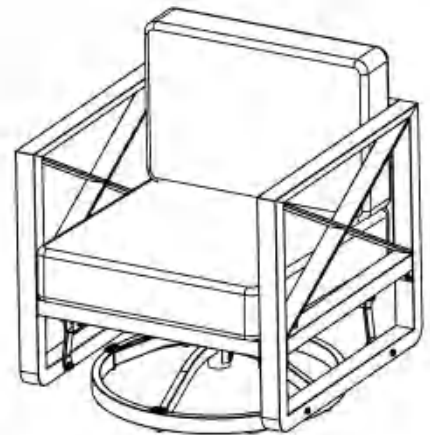
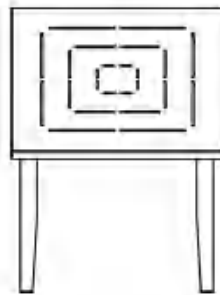
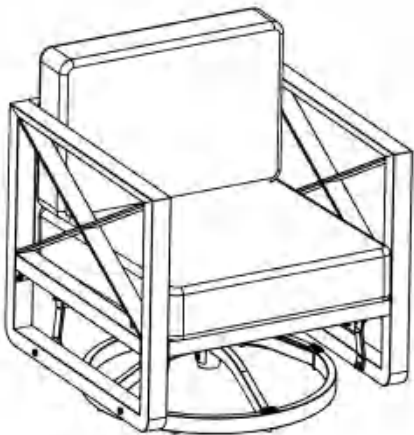




Swivel Glide Sofa Set



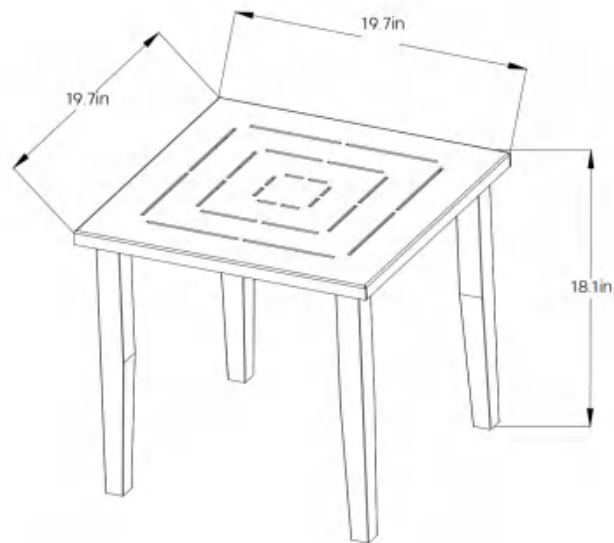
PLEASE READ AND KEEP THE INSTRUCTIONS FOR FUTURE REFERENCE.

SPECIFICATIONS

Assembled Width: 19.7in

Assembled Height: 18.1in

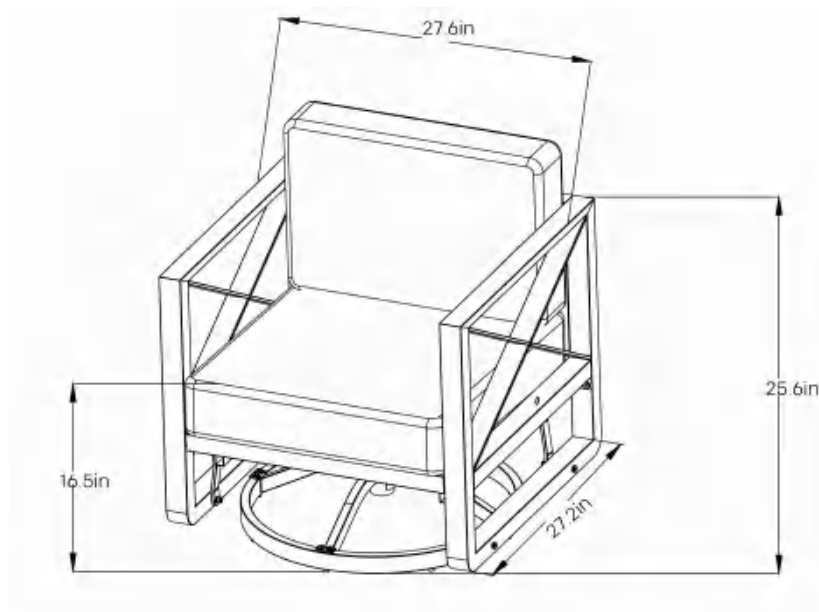
Assembled Length: 19.7in



Assembled Width: 27.1in

Assembled Height: 25.6in

Assembled Length: 27.6in



CONTENTS

Specifications.....	1
Content.....	2
Important.....	3
Parts List.....	4
Installation.....	7
Maintenance & Care.....	19

Dear Valued Customer,

Thank you for choosing our MBY premium Aluminum furniture. We hope this elegant and durable piece will bring comfort and style to your living space for many years to come. This instruction manual contains important information regarding assembly, safety, care, and maintenance. Please read it carefully before use and keep it for future reference.

We're Here to Help !

Email: support@hgzonglian.com

Website: www.maisonbackyards.com

WhatsApp: +1(425)2475085

Response time: 24-48 hours

IMPORTANT

To prevent injury or damage, follow these safety precautions:

Assembly: Ensure all components are securely tightened during assembly. Periodically check and retighten as necessary.

Stability: Place the furniture on a flat, level surface to prevent tipping.

Children & Pets: Supervise children and pets around the furniture. Do not allow children to climb or play roughly on the furniture.

Moving: Always lift the furniture when moving. Dragging can damage the table legs. For larger items, seek assistance.






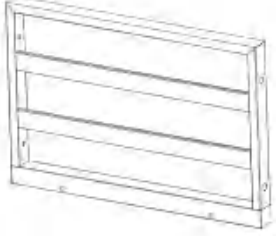

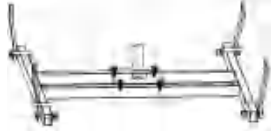
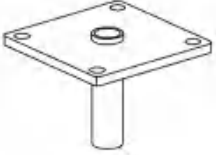
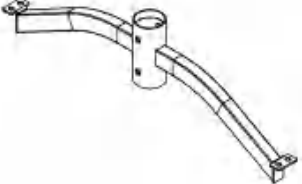
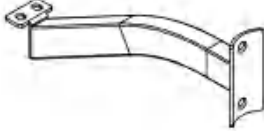
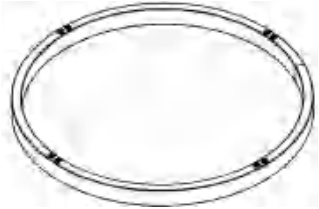
Outdoor Use : Although designed for outdoor use, prolonged exposure extreme weather conditions (heavy rain, snow, intense sunlight) may affect longevity. Consider using furniture cover when not in use for extended periods.


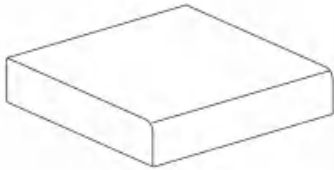
Cleaning: Use only recommended cleaning methods as outlined in this manual.

Scan the QR code to learn more about our product















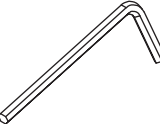
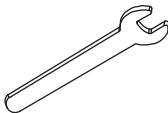


PARTS LIST BOX -Swivel Sofa X2

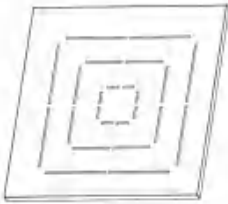
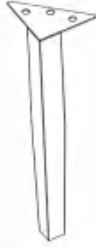
<p>(A) × 4</p> 	<p>(B) × 1</p> 	<p>(C) × 1</p> 
<p>Rail on armrest</p>	<p>Support Crossbar</p>	<p>Support Crossbar</p>
<p>(D) × 1</p> 	<p>(E) × 1</p> 	<p>(F) × 1</p> 
<p>Left Armrest Frame</p>	<p>Right Armrest Frame</p>	<p>Backrest</p>
<p>(G) × 1</p> 	<p>(H) × 1</p> 	<p>(I) × 1</p> 
<p>Seat Plate</p>	<p>connection Frame</p>	<p>"T" Shaft</p>
<p>(J) × 1</p> 	<p>(k) × 2</p> 	<p>(L) × 1</p> 
<p>Base connection</p>	<p>Leg Support Bar</p>	<p>"O" shaped Base</p>

<p>Ⓜ × 1</p> 	<p>Ⓝ × 1</p> 	
Back Cushion	Seat Cushion	

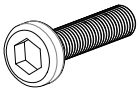


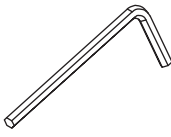
PARTS LIST (Screw Set)

<p>Ⓐ × 4</p>  <p>Bolt M6 x10</p>	<p>Ⓑ × 16</p>  <p>Bolt M6 x15</p>	<p>Ⓒ × 11</p>  <p>Bolt M6 x35</p>	<p>Ⓓ × 4</p>  <p>Bolt M8 x25</p>
<p>Ⓔ × 4</p>  <p>Bolt M8 x80</p>	<p>Ⓕ × 30</p>  <p>Washer M6</p>	<p>Ⓖ × 4</p>  <p>washer M8</p>	<p>Ⓗ × 4</p>  <p>Screw Nut</p>
<p>Ⓛ × 1</p>  <p>Elastic Gasket M6</p>	<p>Ⓜ × 8</p>  <p>Elastic Gasket M8</p>	<p>Ⓝ × 1</p>  <p>Washer M6</p>	<p>Ⓟ × 39</p>  <p>Screw Caps</p>
<p>Ⓠ × 4</p>  <p>Screw Nut Caps</p>	<p>Ⓡ × 8</p>  <p>Adjustable Screw</p>	<p>Ⓢ × 1</p>  <p>Spanner</p>	<p>Ⓣ × 1</p>  <p>Wrench</p>

PARTS LIST BOX -End Table X1

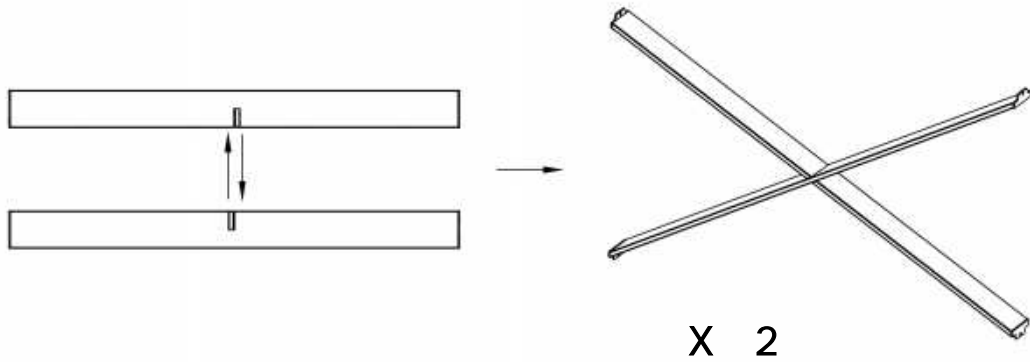
<p>⓪ × 1</p> 	<p>Ⓟ × 4</p> 	
Table Top	Table Legs	

PARTS LIST -Screw Set x1

<p>Ⓐ × 12</p>  <p>Bolt M6x15</p>	<p>Ⓑ × 12</p>  <p>M6 Washers</p>	<p>Ⓒ × 12</p>  <p>Bolt Caps</p>	<p>Ⓓ</p>  <p>Spanner</p>
---	---	---	---

Step 1

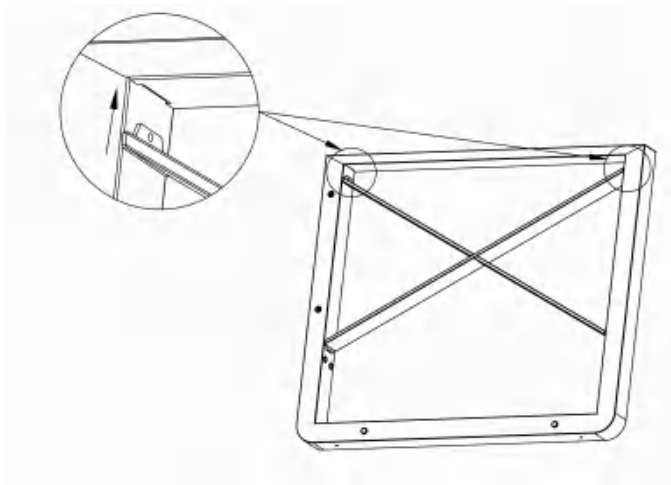
Cross the two rails(A) and snap into the slots.



A x 4

Step 2

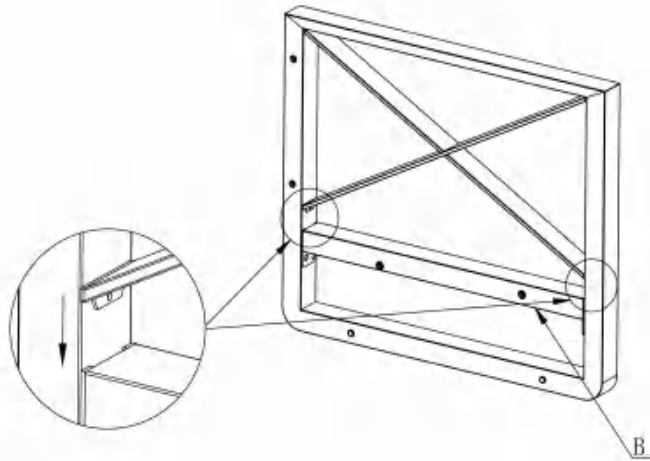
Attach the crossed rails to left Armrest Frame(D) and snap into the slot.



D x 1

Step 3

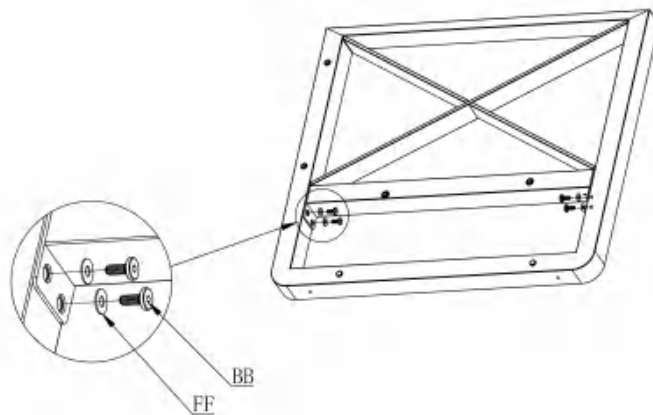
Attach the support Crossbar(B) to the Left Armrest frame(D), and snap the crossed rail into slot.



B x 1

Step 4

Secure the support Crossbar(B) with Bolts (BB) and Washers (FF) .



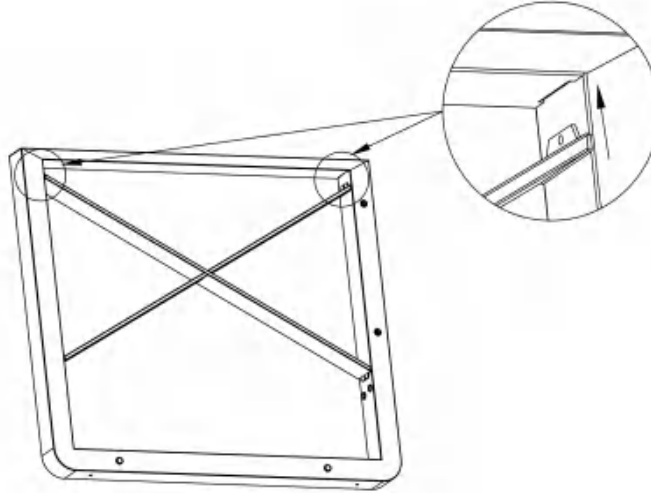
BB(M6*15) x4



FF (M6) x 4

Step 5

Attach another crossed rail to Right Armrest frame(E) and snap into the slot.



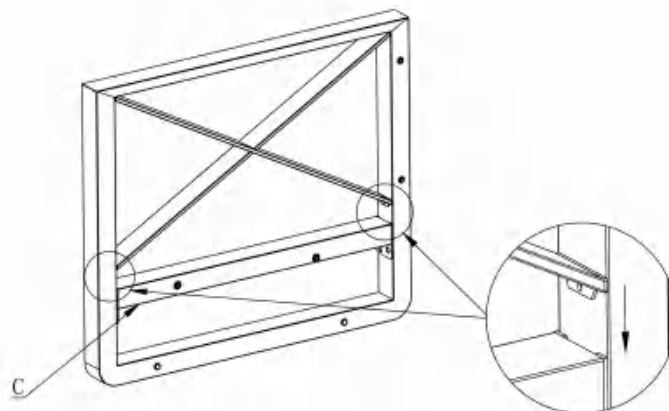
E x1



x1

Step 6

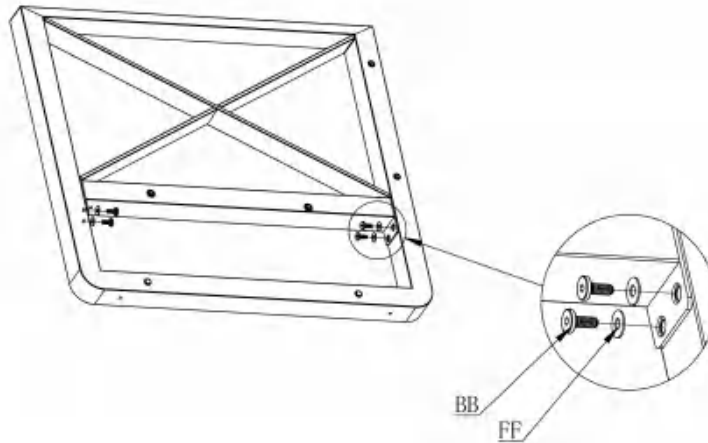
Attach the support Crossbar(C) to the right Armrest frame (E) and snap into the slot.



C x1

Step 7

Secure the support Crossbar(C)with Bolts (BB) and Washers(FF).



BB(M6*15) x4

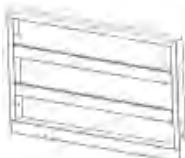
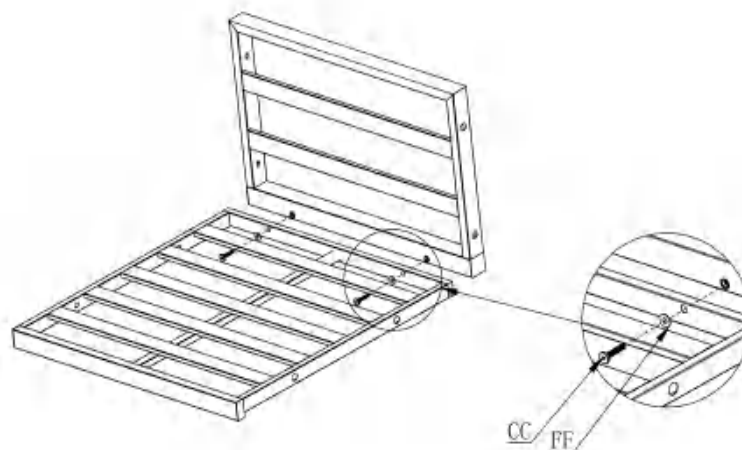


FF(M6) x 4

Step 8

Attach the Backrest part (F) to the seat plate(G) with bolts (CC) &Washers (FF)

NOTE: please do not fully tighten the bolts to allow for further adjustment.



F X1



G x1



CC(M6*35) x2

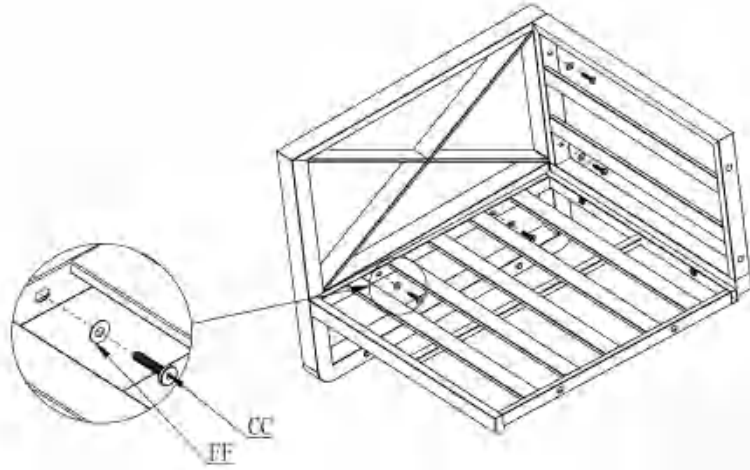


FF(M6) x2

Step 9

Attach the Right Armrest to the seat plate(G) and the backrest(F) with bolt (CC) and washers (FF).

NOTE: please do not fully tighten the bolts to allow for further adjustment.



x1



CC(M6*35)

x4

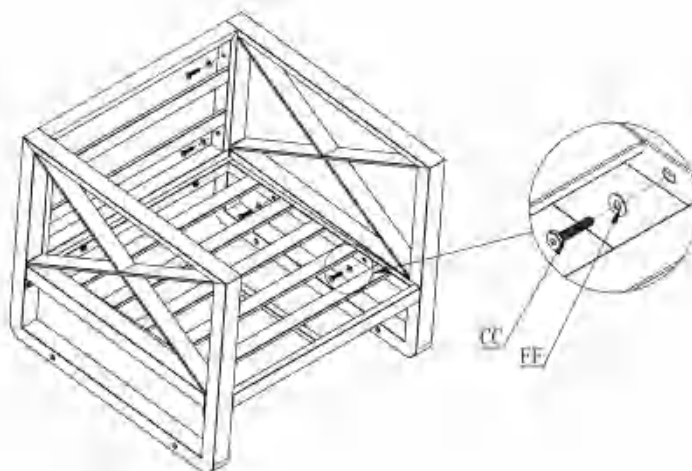
FF(M6)

x4

Step 10

Attach the Left Armrest to the seat plate(G) and the backrest(F) with bolt (CC) and washers (FF)

Please full tighten all the bolts.



x1



CC(M6*35)

x4

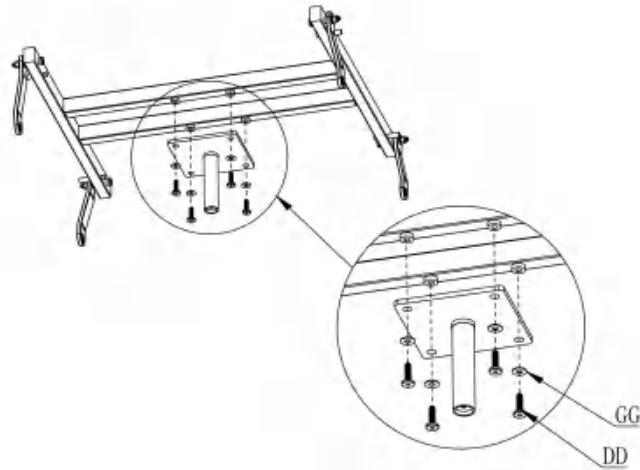
FF(M6)

x4

Step 11

Attach the "T" shaft (I) to the "H" connection frame (H) with bolts (DD) & Washers (GG)

Note: all bolts must be full tightened



I x1



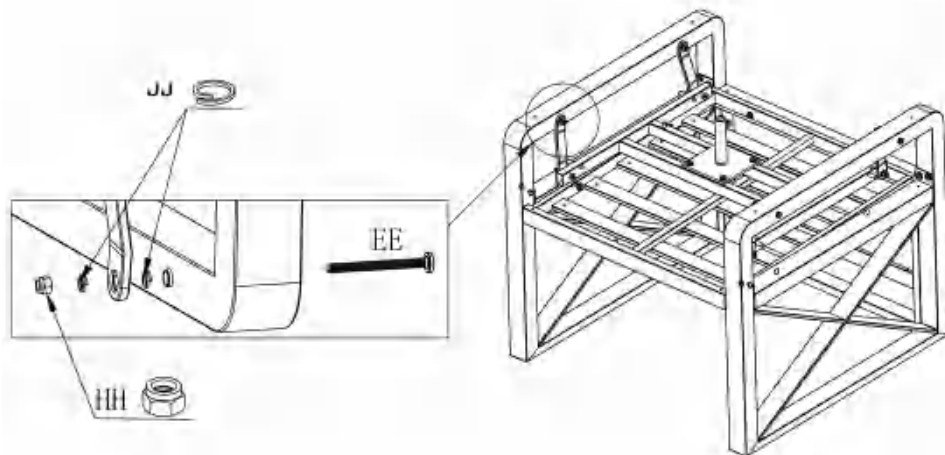
H x1

DD(M8*25) x4

GG(M8) x4

Step 12

Turn the sofa upside down, and attach the Metal strips on the Connection Frame to the right & left Armrest underneath using bolts (EE), elastic gaskets (JJ) and screw nuts (HH).



H x1



EE(M8*80) x4



x8

JJ(M8)

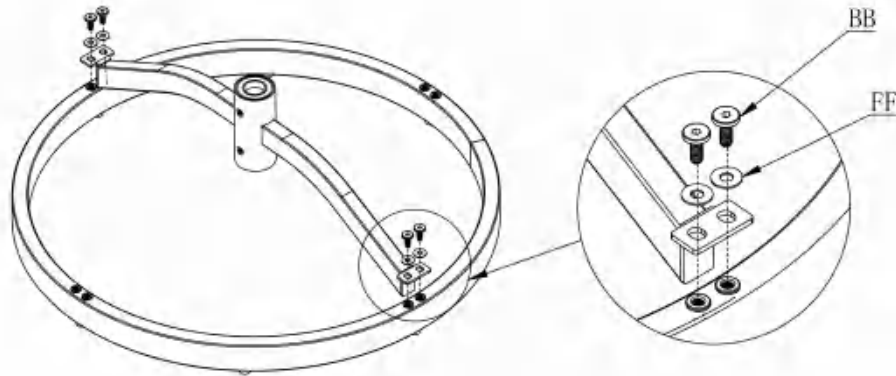


HH(M8) X4

Step 13

Attach the Base Connection (J) to the Base Ring(L) with bolts(BB) and Washers(FF)

NOTE: please do not fully tighten the bolts.



J x1



L x1

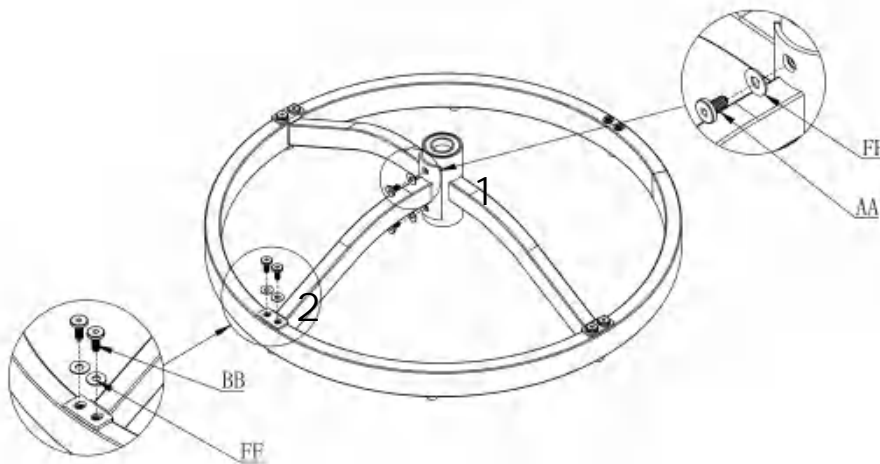
BB(M6*15) x4

FF(M6) x4

Step 14

Attach one end of the Base Support Bars(K) to the Base Connection(J) with bolts (AA) and washers first, then attach another end of the Base Support Bar to the Base Ring.

NOTE: please do not fully tighten the bolts for future adjustment



Only after installing the Base Connection (J) and the Base Support Bar (K) can all screws be tightened.



K x1

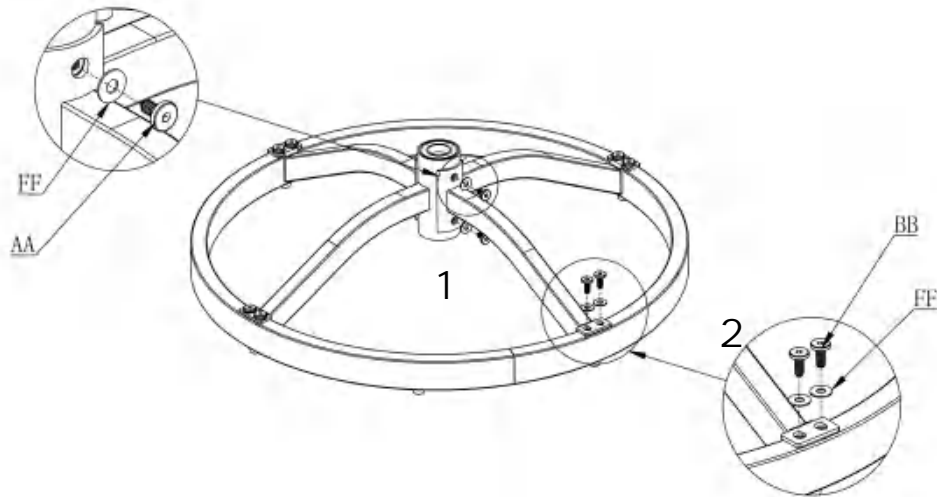
AA(M6*10) x2

BB(M6*15) x2

FF(M6) x4

Step 15

Attach another Base Support bar to the Base Connection and the Base Ring.



K x1

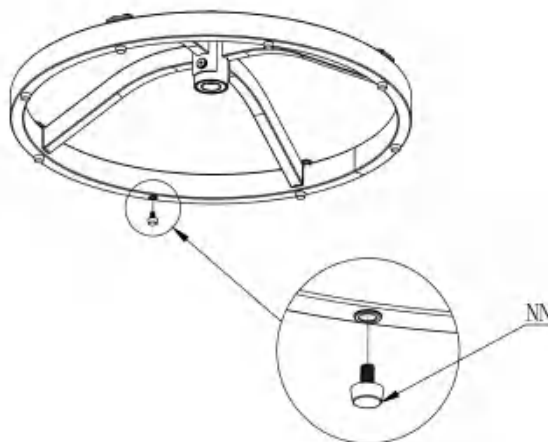
AA(M6*10) x2

BB(M6*15) x2

FF(M6) x4

Step 16

Screw the Adjustable Screws(NN) on the sofa base.

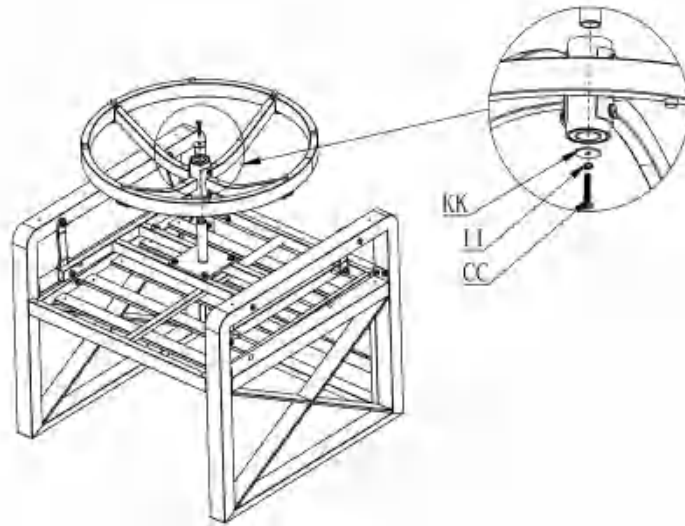


NN x8

Step 17

Turn the base upside down and attach it to the sofa with bolt (CC), Washer (KK) and elastic gasket (II).

Note: Please fully tighten the bolt.



CC(M6*35) x1



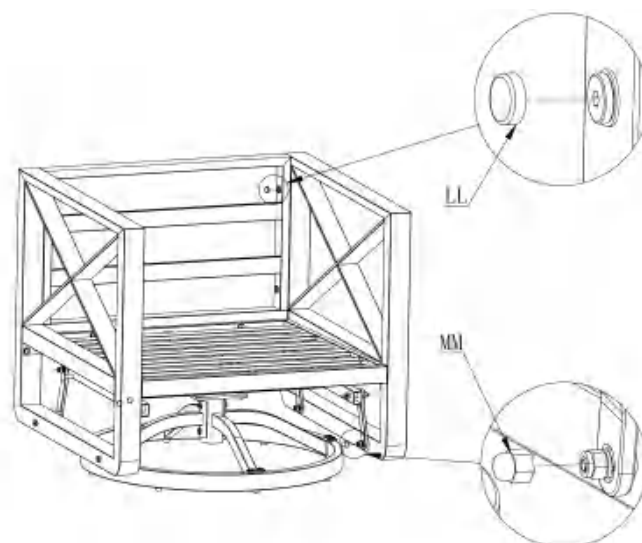
II x1



KK x1

Step 18

Please press the Bolt Caps(LL) on all the bolts, and put the Screw Nuts Cap (MM) on the screw nuts.



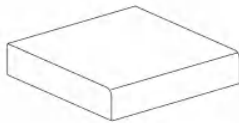
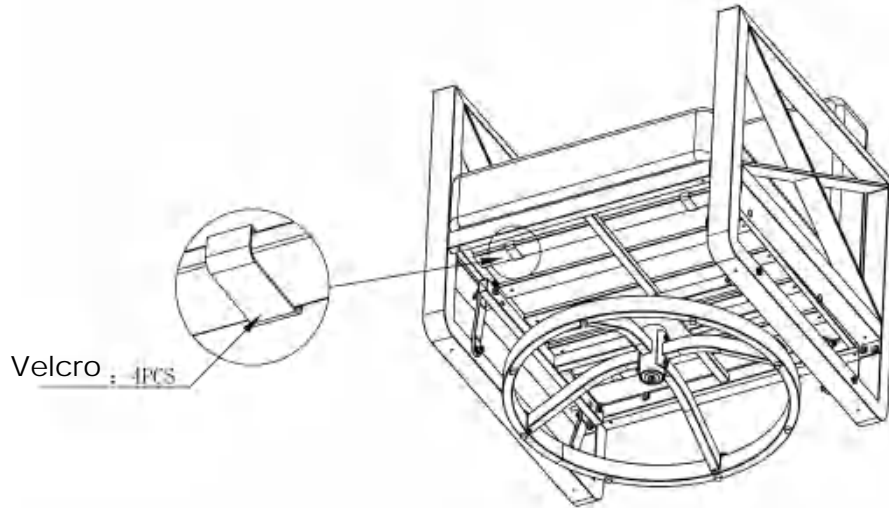
LL x39



MM x4

Step 19

Place the Seat Cushion onto the sofa and secure it with velcros, and place the Back Cushion onto the sofa.



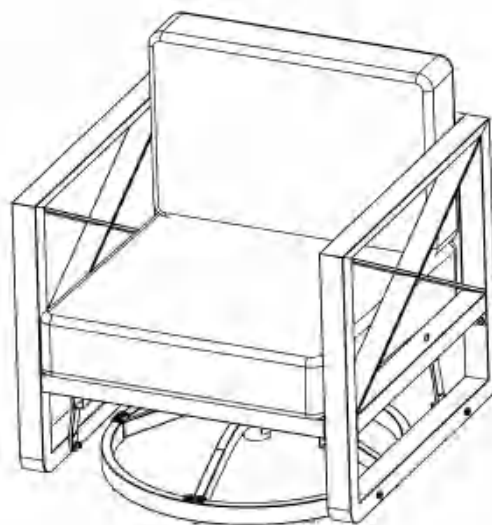
N x1



M x1

Step 20

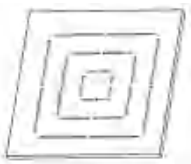
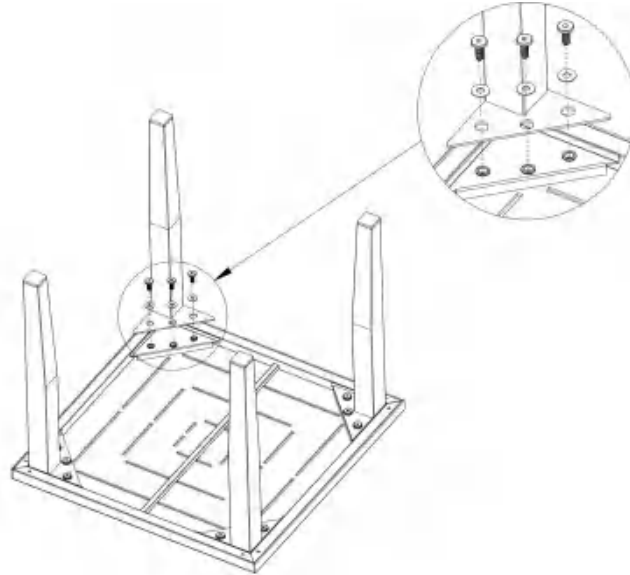
The installation is complete and the sofa is ready for use.



Final Check: Once assembly is complete, ensure all screws and fittings are tight and all components are securely attached.

Step 1

Attach the Table legs (P) to the Table Top (O) with bolts (AA) and washer(BB).



O x1



P x1



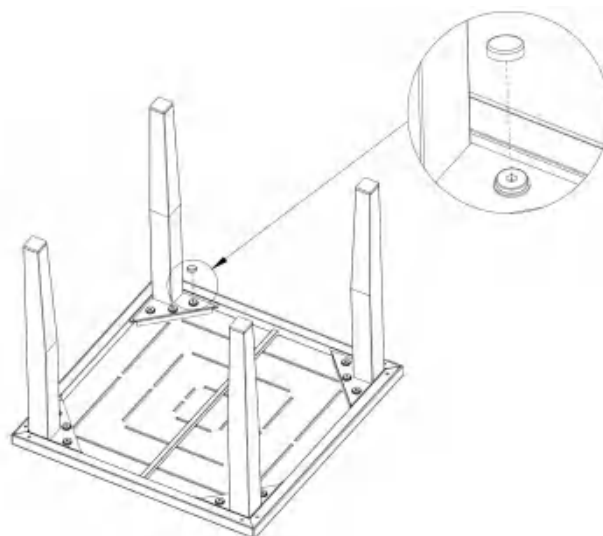
AA(M6*15) x 12



BB(M6) x 12

Step 2

Attach the Bolt Caps (C) to the bolts

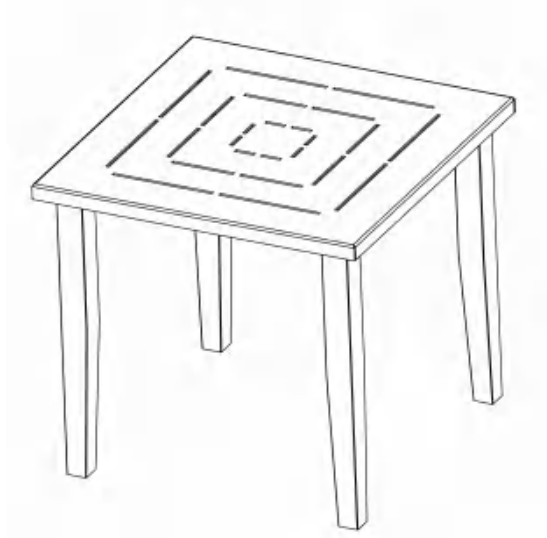


CC x12

Step 3

Turn the End Table upright.

Now the End Table is ready for use.



Final Check: Once assembly is complete, ensure all screws and fittings are tight and all components are securely attached.

Sofa cover washing instruction



Back pillow



Take the back insert
out of the fabric cover



Wash the cloth cover
after removing it



Seat Cushion



Take the cushion insert
out of the fabric cover

Maintenance and Care

To preserve the quality and appearance of your outdoor aluminum Furniture , follow these guidelines:

Cleaning – Wipe surfaces regularly with a soft, damp cloth and mild soap solution. Avoid abrasive cleaners or harsh chemicals that may damage the finish. Dry thoroughly to prevent water spots.

Protection – Apply a UV-resistant furniture wax or protective coating every 3-6 months to maintain the aluminum ' s resistance to weathering and oxidation.

Stain Removal – Address spills promptly. For stubborn stains, use a non-abrasive cleaner diluted in warm water. Test on an inconspicuous area first.

Scratch Prevention – Avoid placing sharp or heavy objects directly on the furniture . Use coasters or placemats to protect the surface.

Storage

If the sofa set is not in use for extended periods, cover the furniture or store it indoors i n a dry, cool location to prevent damage from weather or dirt.