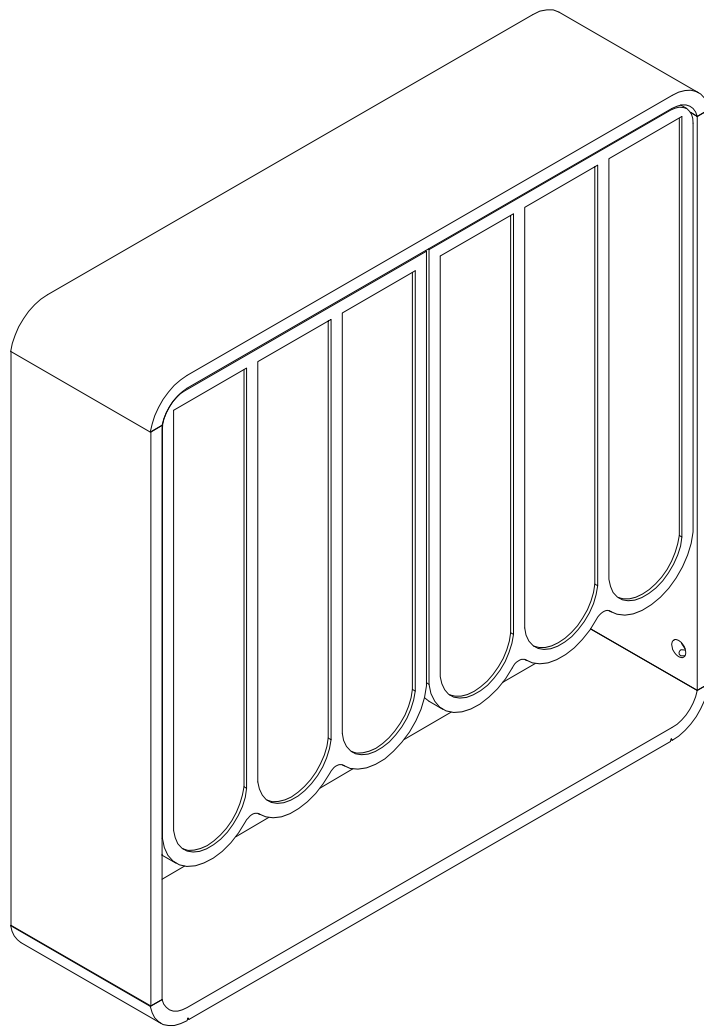


Assembly Instructions

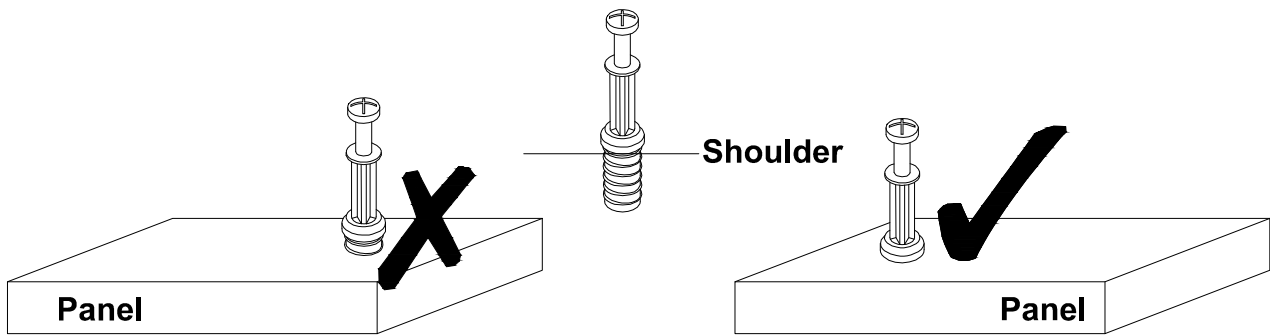


Before Assembly

Tips Before Your Start:

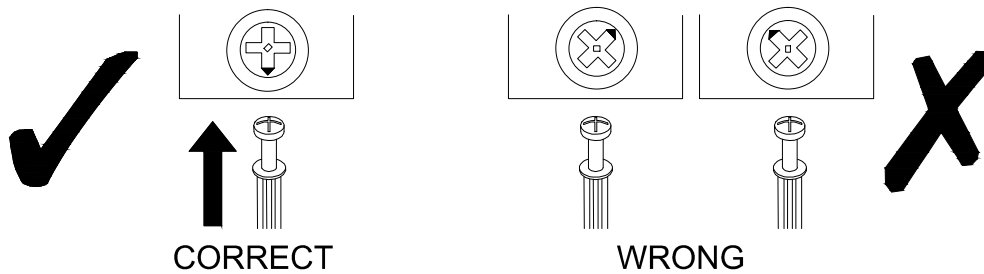
- Remove all wrapping material, including staples & packing straps before you start to assemble.
- DO NOT tighten all screws and bolts until the assembly is completely assembled.
- Keep all hardware parts out of reach of children.

QUICKFIT



Tighten quickfit until shoulder is flush with panel. Do not overtighten or undertighten.

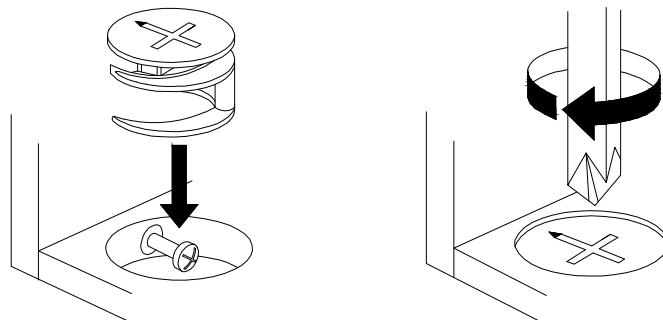
CAM LOCK



When fitting a cam lock, ensure the starting position is correct before inserting the connecting QUI CKFIT




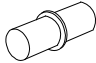
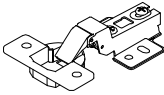
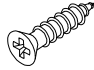
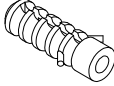
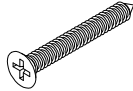
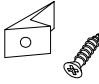
Quickfit head should be in the centre of the cam lock when the two panels are joined.

Cam lock should be inserted before quickfit.

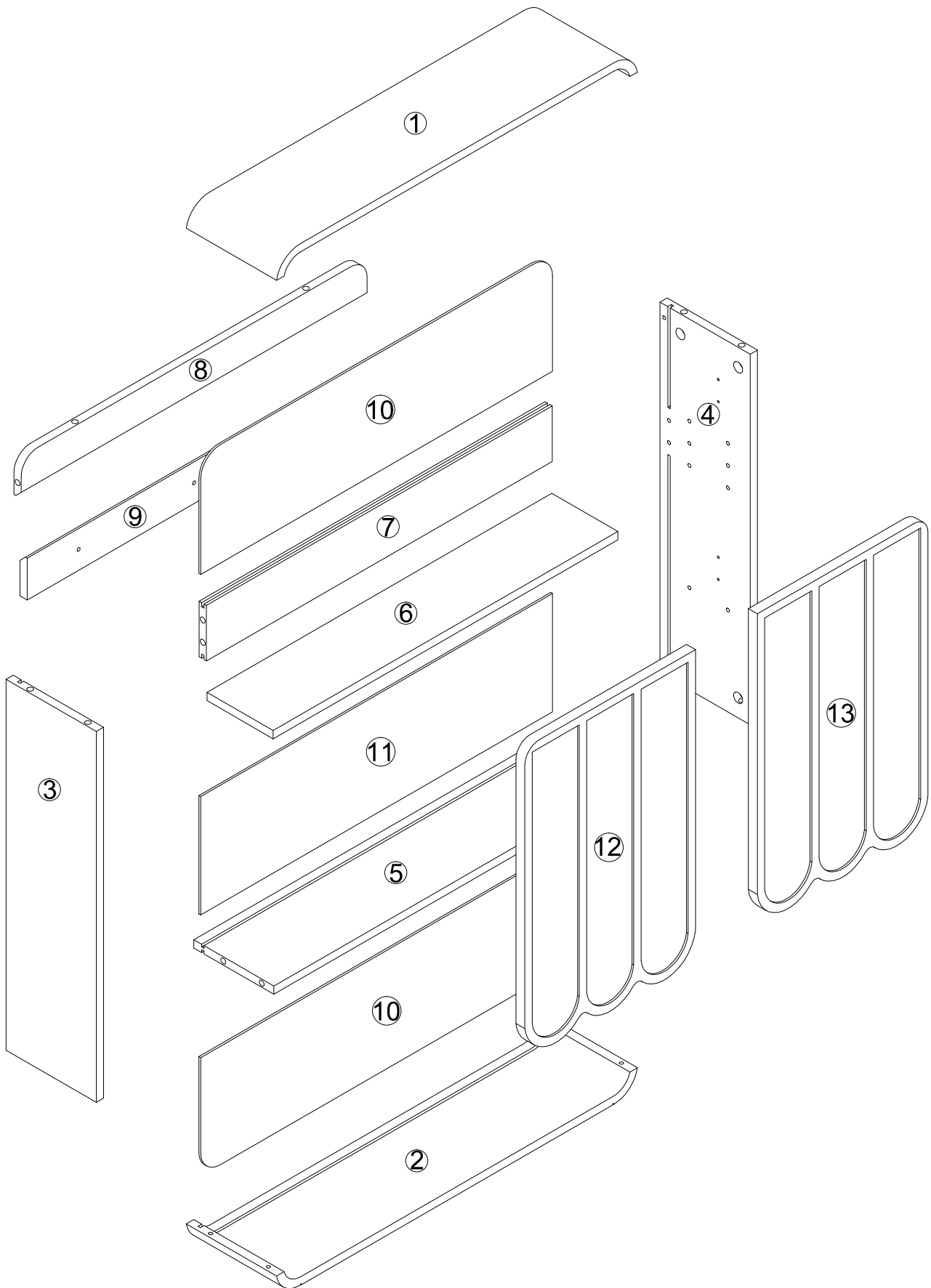


Turn cam lock clockwise to tighten.

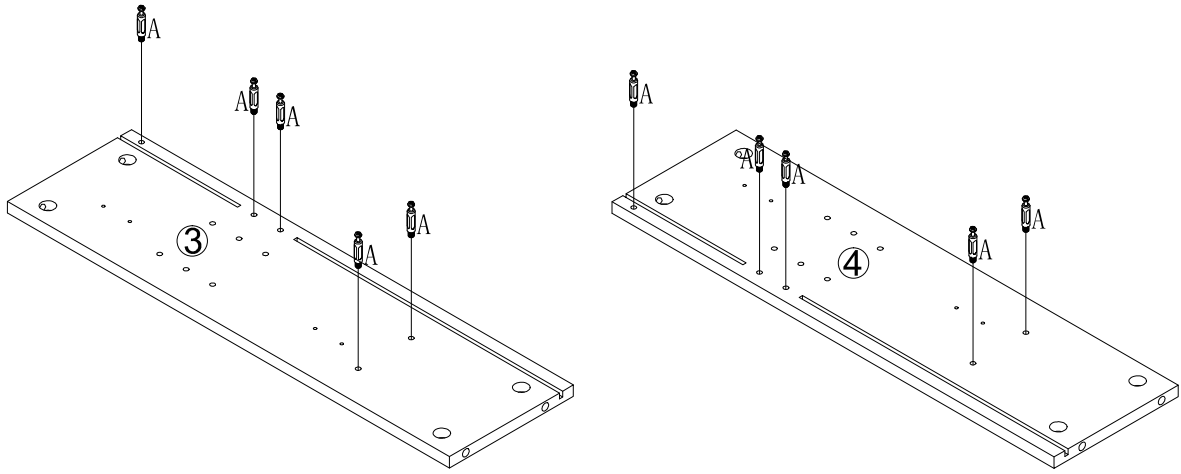
Part List

<p>No. A Quantity:20 Pcs Cam Lock Dowel 8*28mm</p> 	<p>No. B Quantity:20 Pcs Cam φ15</p> 	<p>No. C Quantity:20 Pcs Sticker Ø20</p> 	<p>No. D Quantity:4 Pcs Shelf Support M5*15mm</p> 
<p>No. E Quantity:4 Pcs Hinge</p> 	<p>No. F Quantity:24 Pcs Screw M3.5*12mm</p> 	<p>No. G Quantity:3 Pcs Expansion bolt M8*40mm</p> 	<p>No. H Quantity:3 Pcs Screw M5*60mm</p> 
<p>No. I Quantity:8 Sets Plastic Wedge</p> 			

Product structure



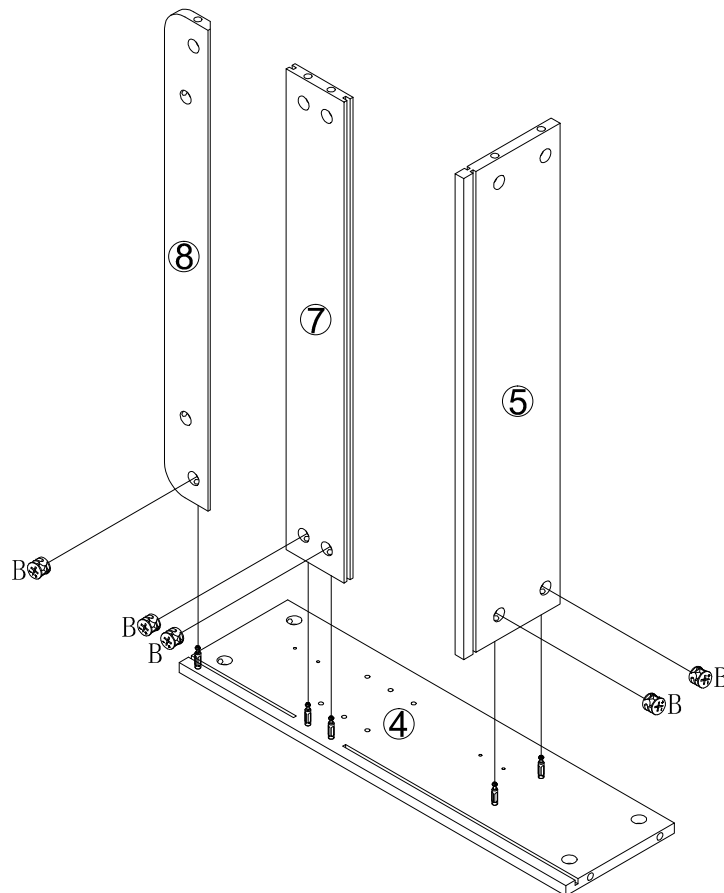
STEP 1



No. A
Quantity: 10 Pcs
8*28 mm



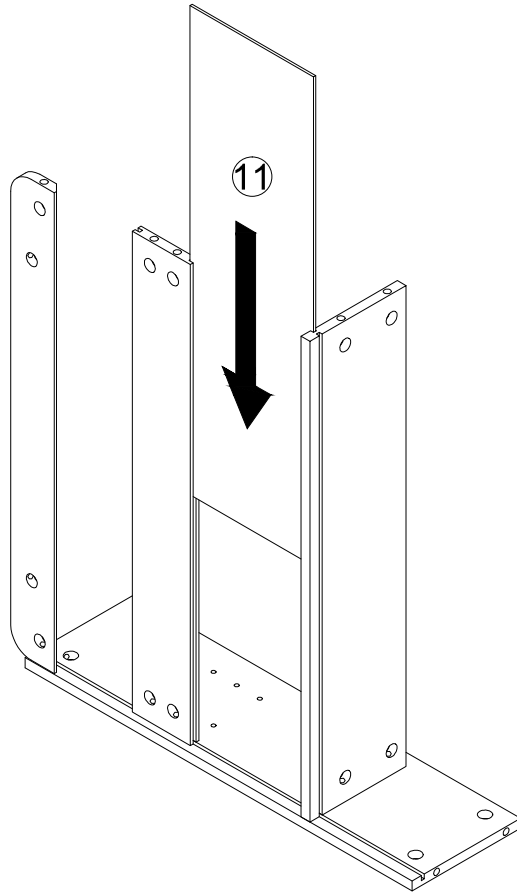
STEP 2



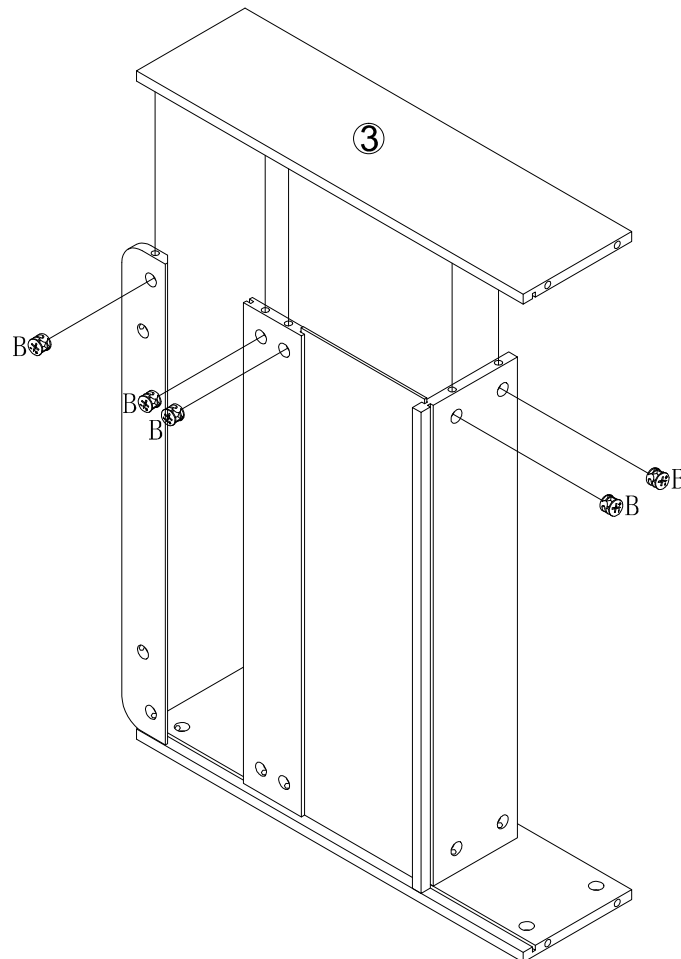
No. B
Quantity: 5 Pcs
Ø15



STEP 3



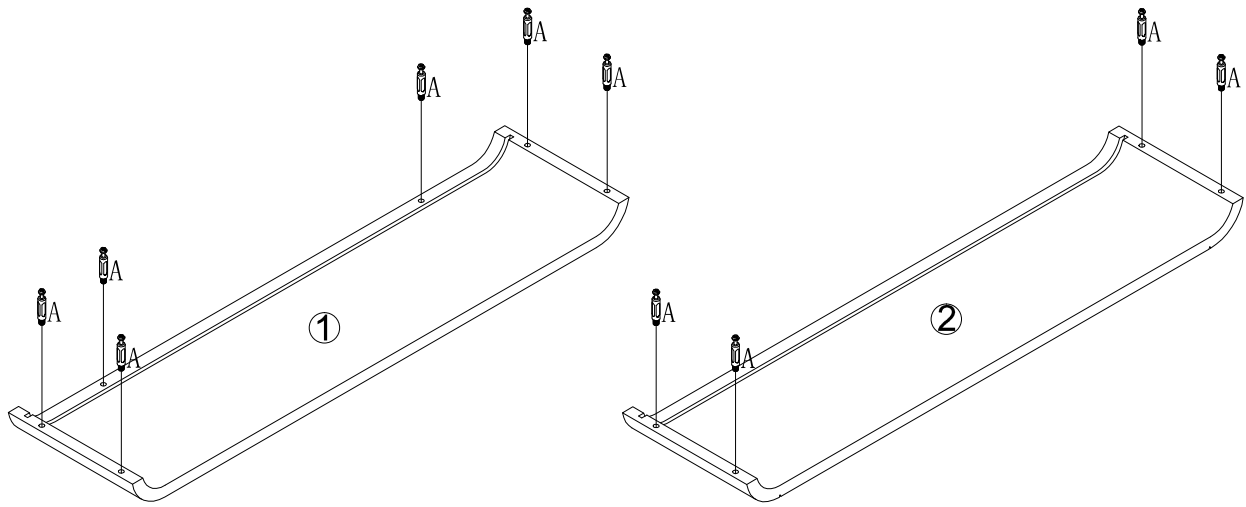
STEP 4



No. B
Quantity: 5 Pcs
Ø15



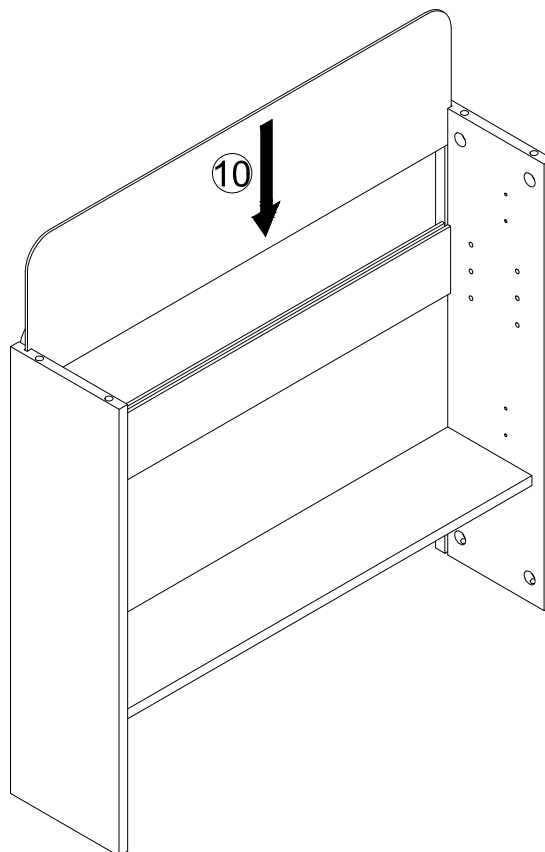
STEP 5



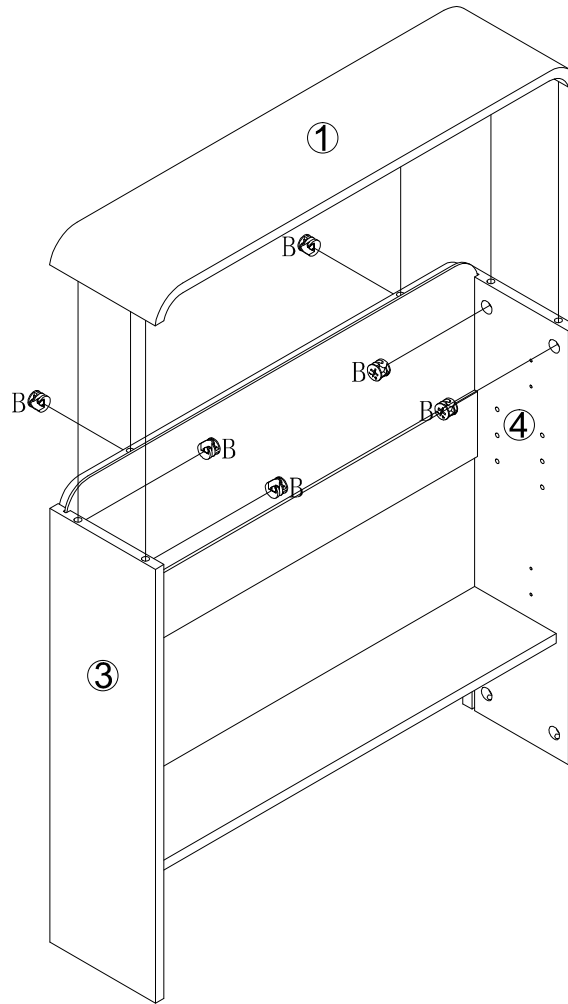
No. A
Quantity: 10 Pcs
8*28 mm



STEP 6



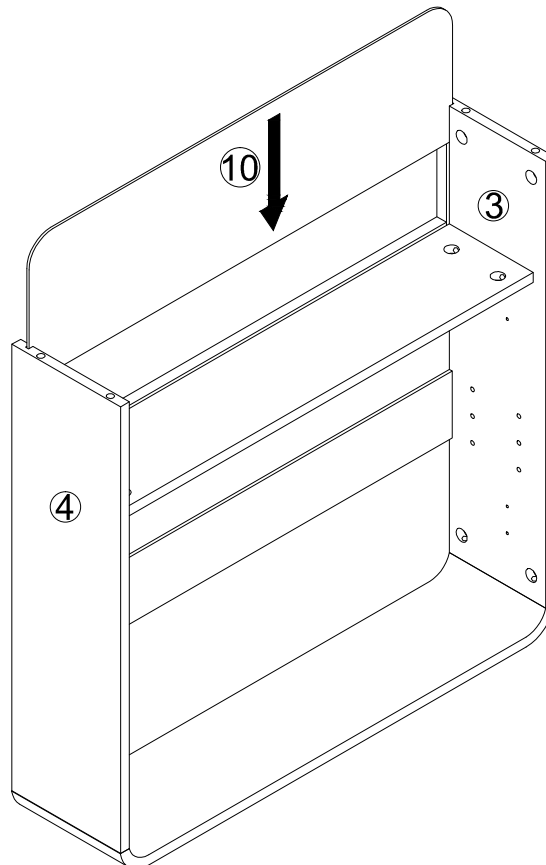
STEP 7



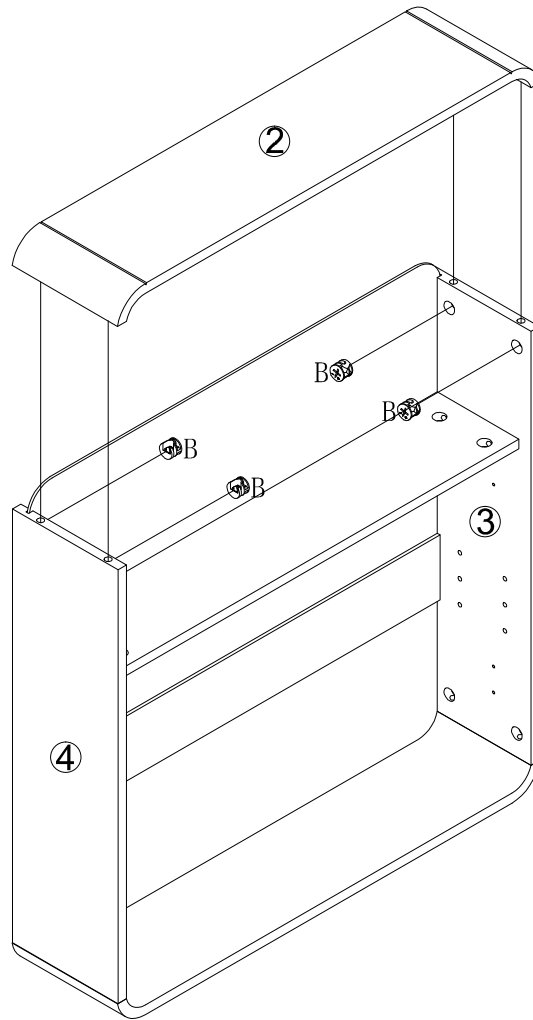
No. B
Quantity: 6 Pcs
Ø15



STEP 8



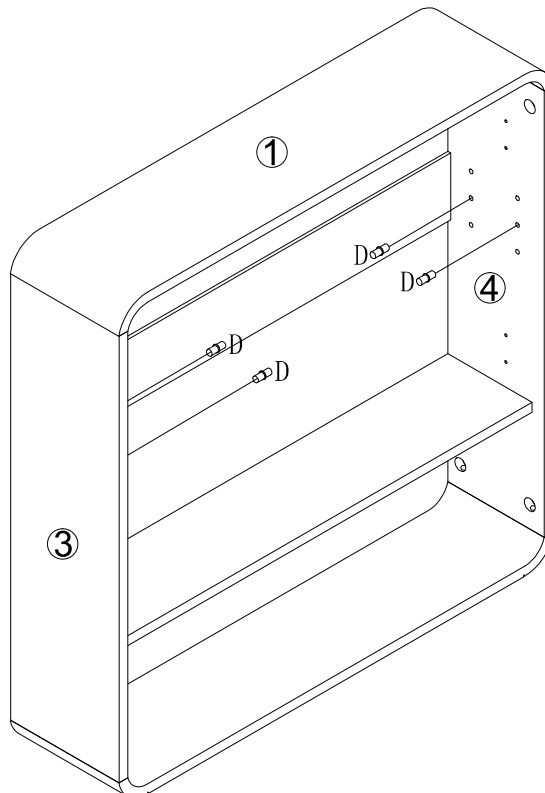
STEP 9



No. B
Quantity: 4 Pcs
Ø15



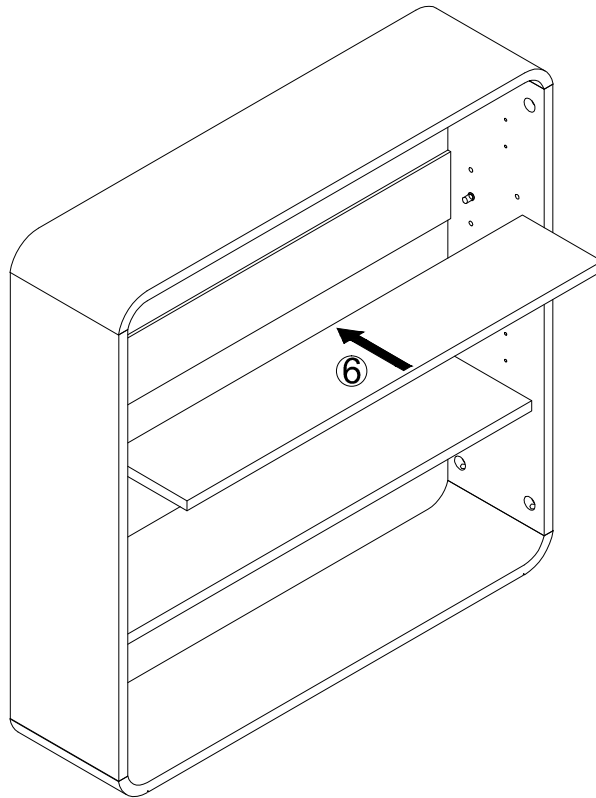
STEP 10



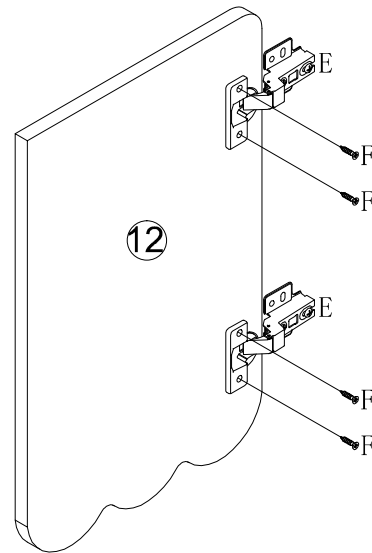
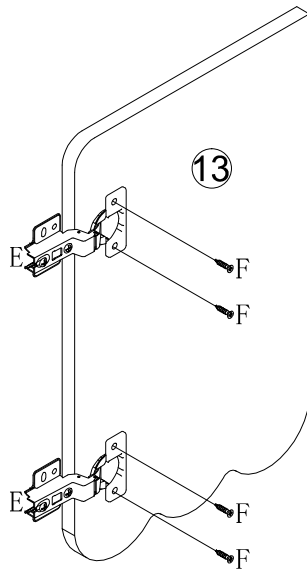
No. D
Quantity: 4 Pcs
M5*15mm



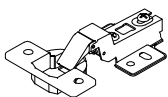
STEP 11



STEP 12



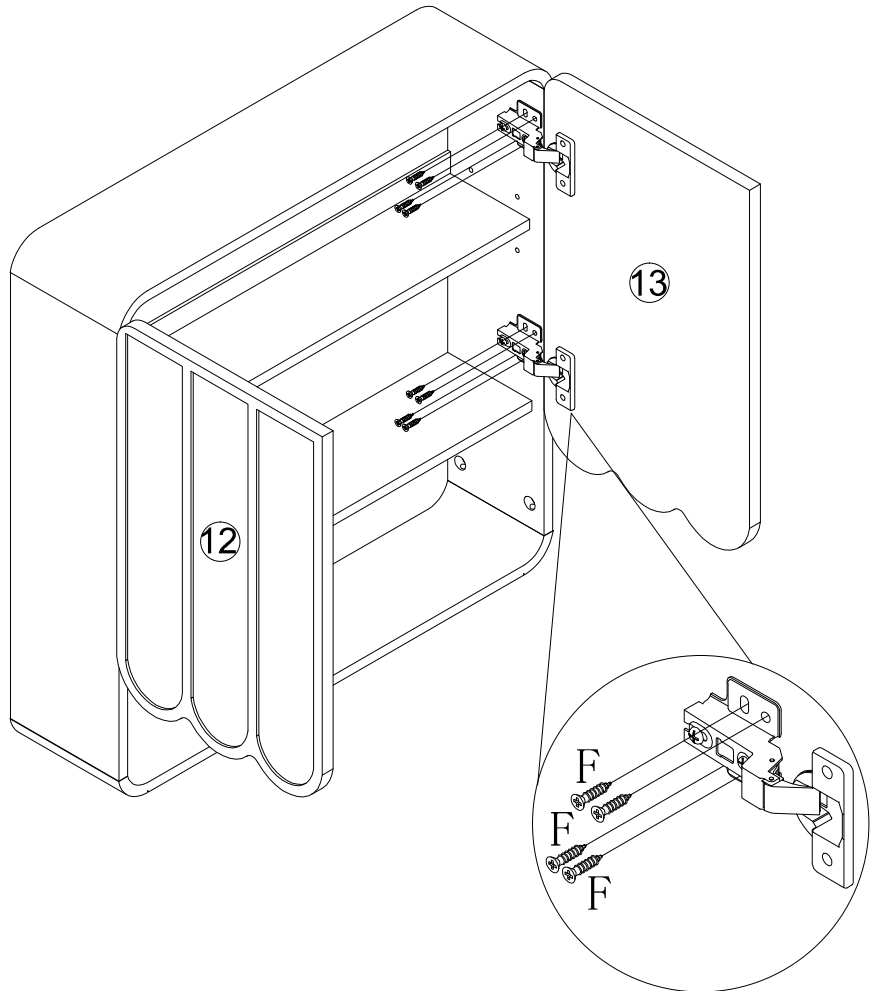
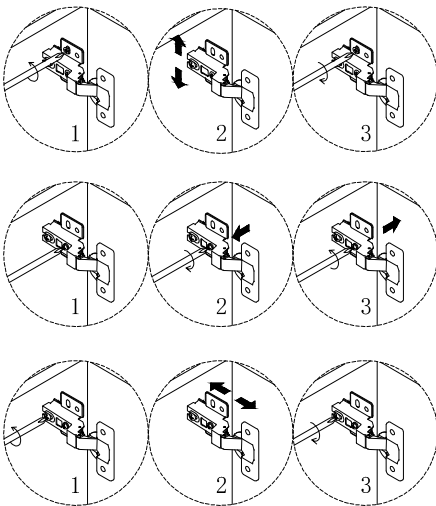
No. E
Quantity: 4 Pcs



No. F
Quantity: 8 Pcs
M3.5*12mm



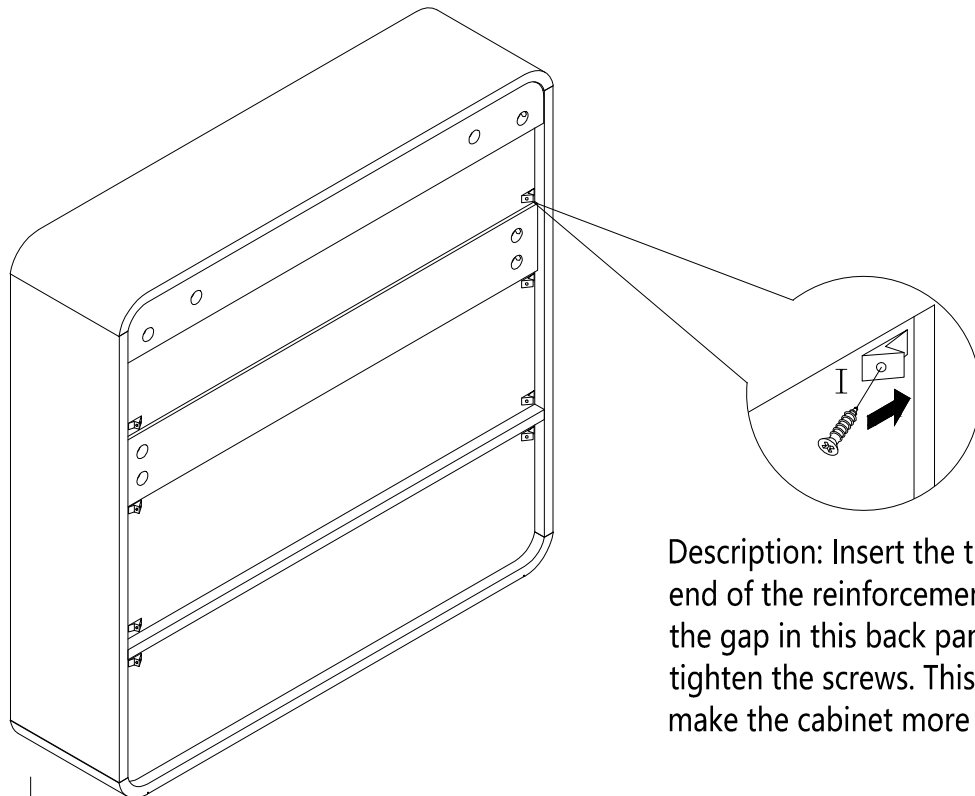
STEP 13



No. F
Quantity: 16 Pcs
3.5*12mm

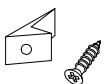


STEP 14

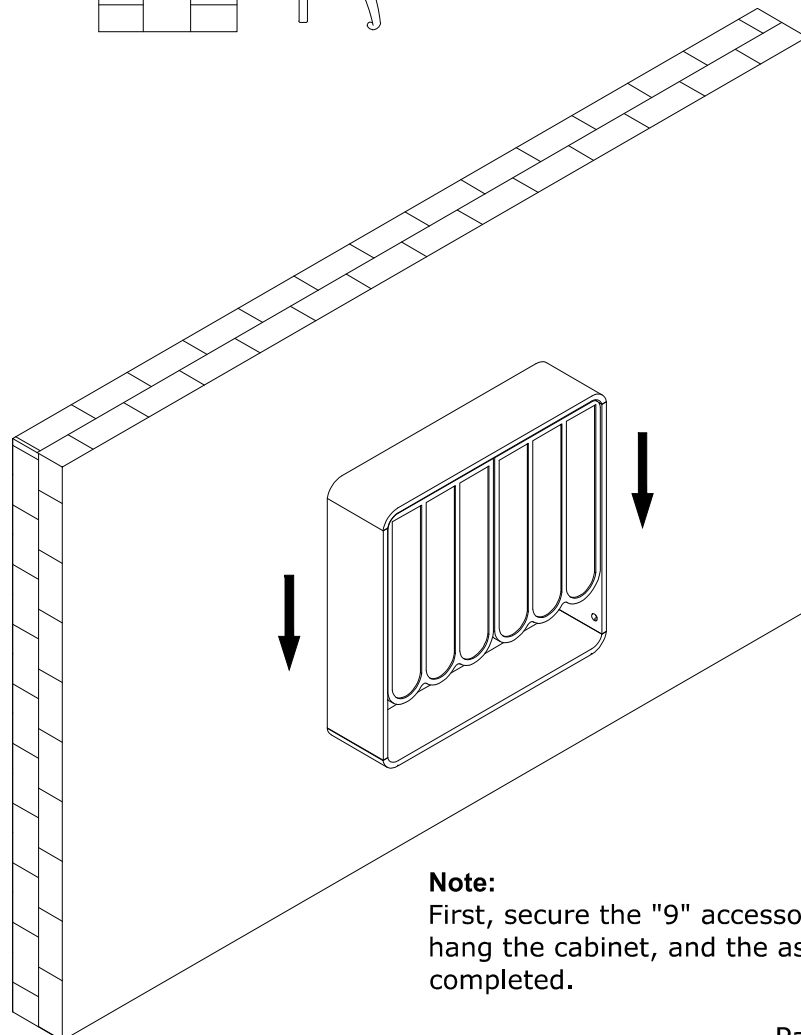
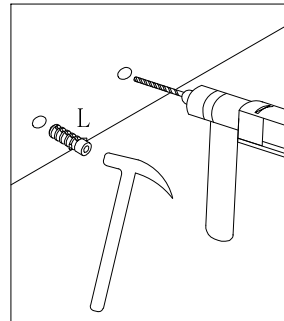
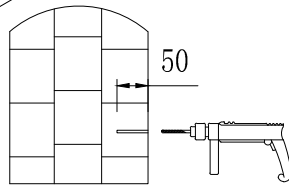
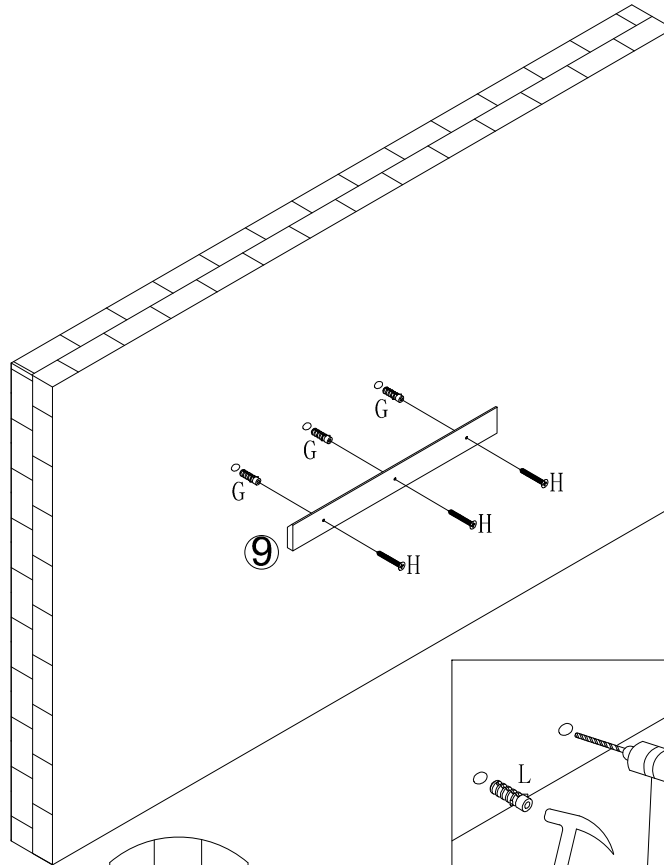


Description: Insert the thinner end of the reinforcement into the gap in this back panel, then tighten the screws. This will make the cabinet more stable.

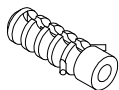
No. I
Quantity: 8 Sets



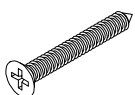
STEP 15



No. G
Quantity: 3 Pcs



No. H
Quantity: 3 Pcs
M5*60mm



Note:
First, secure the "9" accessories, then hang the cabinet, and the assembly is completed.