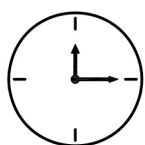
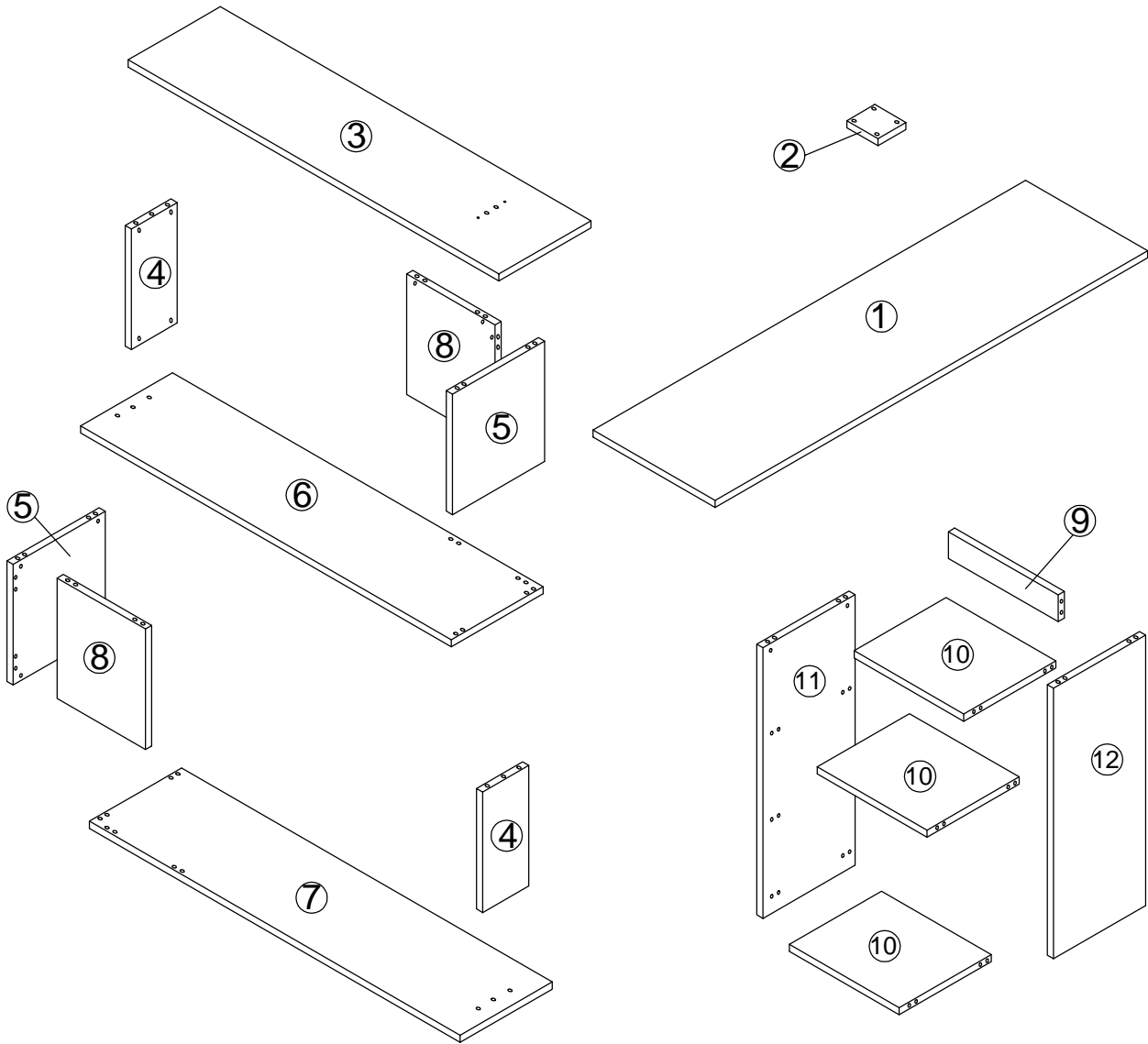
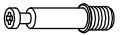




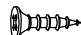




2 PERS.

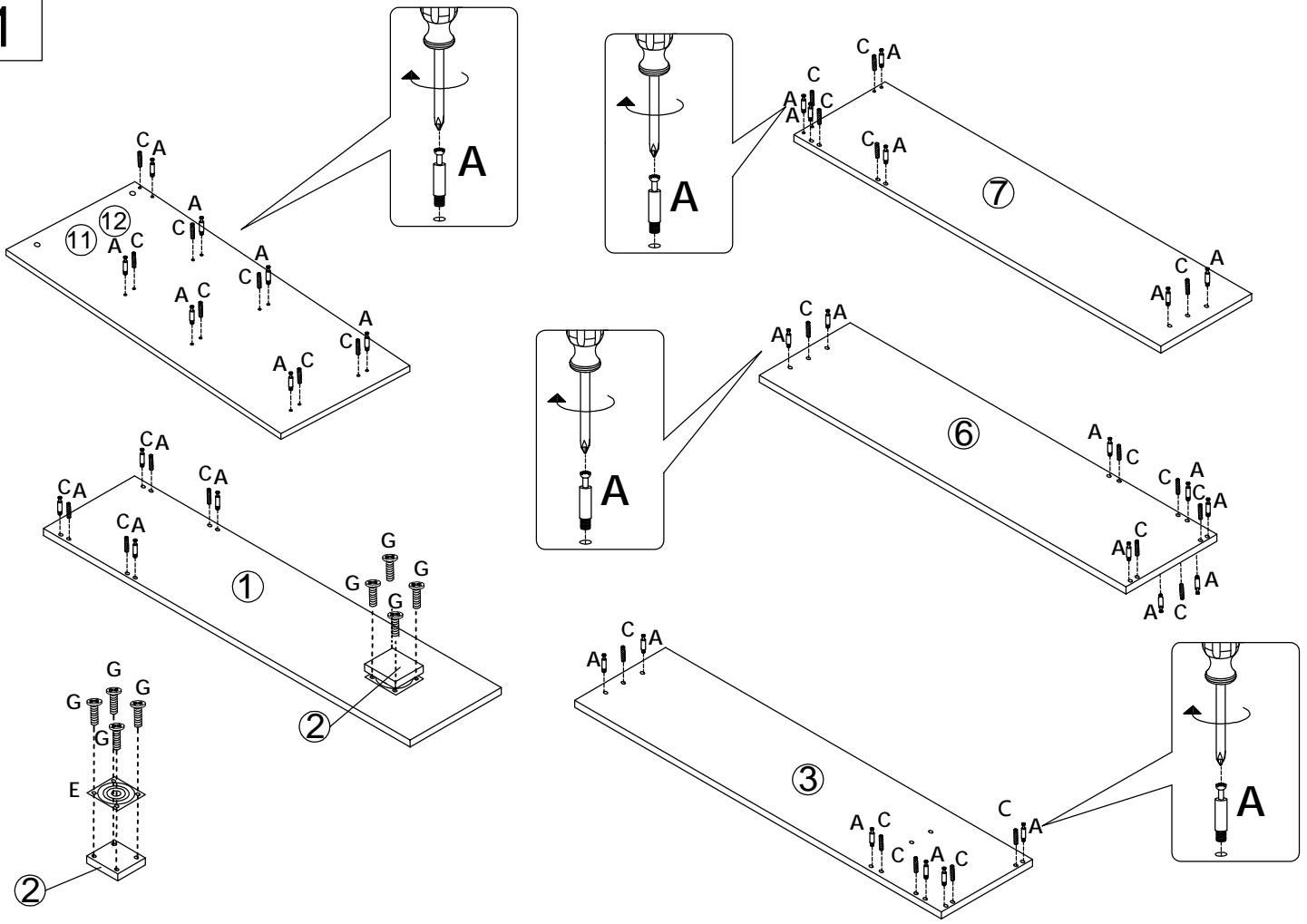


60 MIN

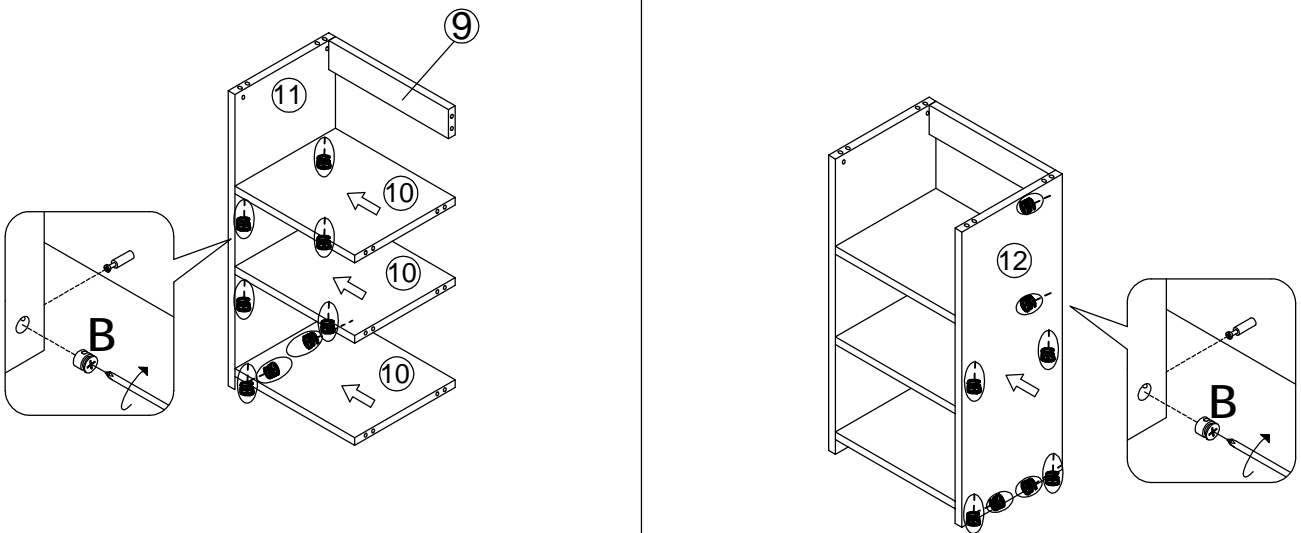


A	X46	B	X46	C	X42	D	X24	E	X1
									
F	X2	G	X8	H	X2				
									
Ø3.5X25mm				Ø8X20mm					

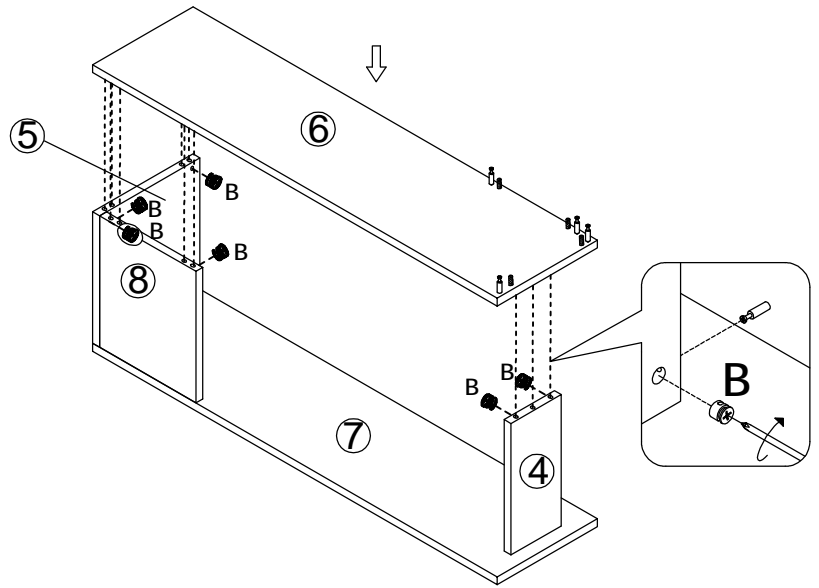
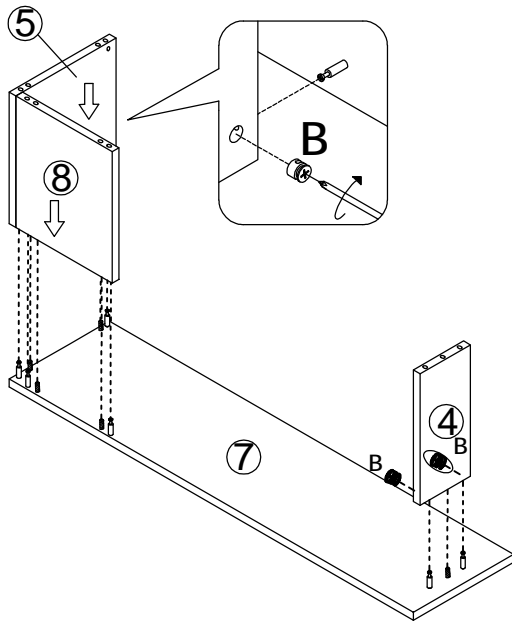
1



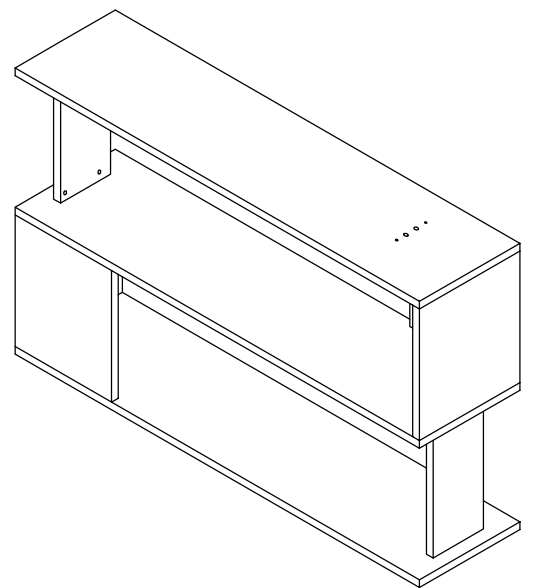
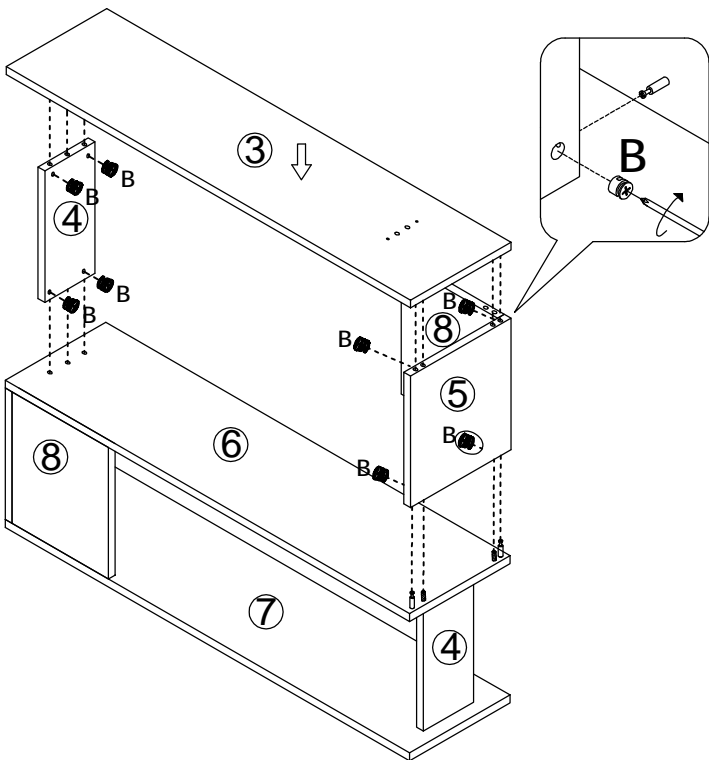
2



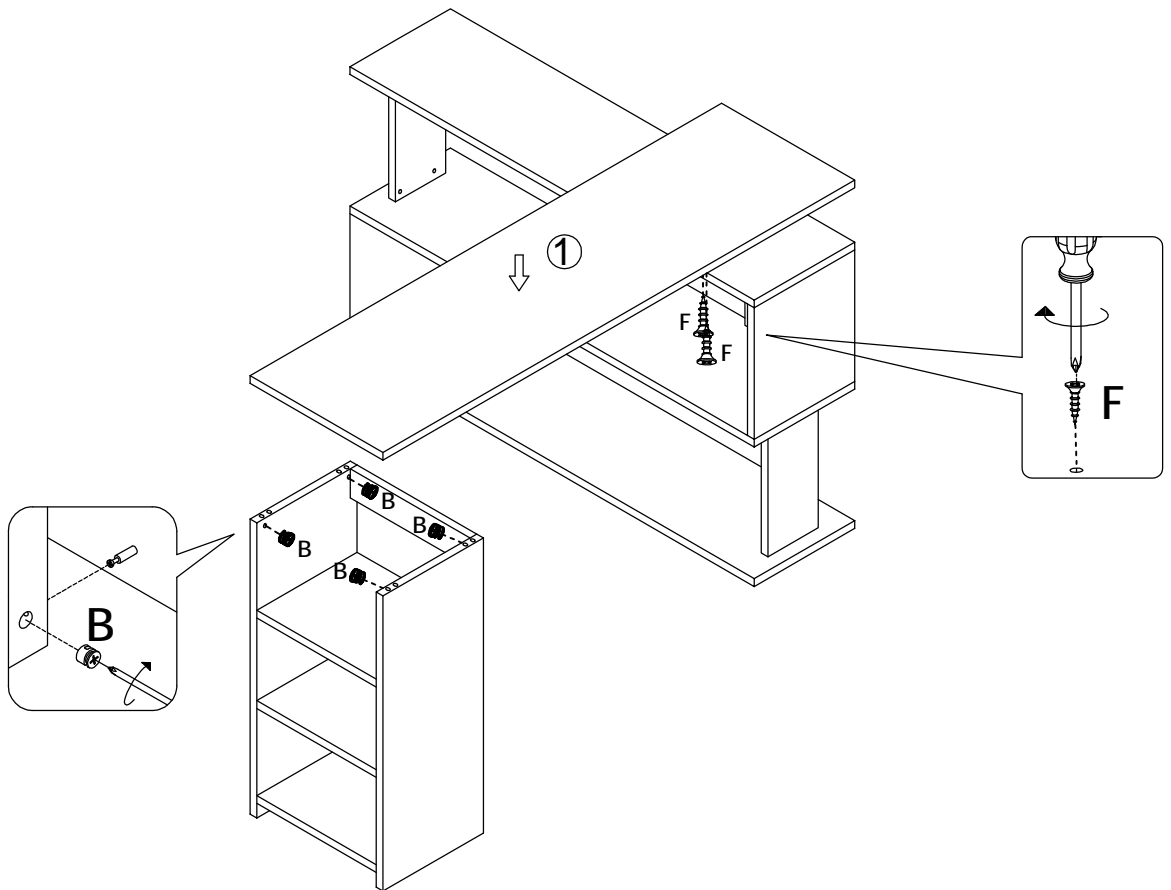
3



4



5



6

