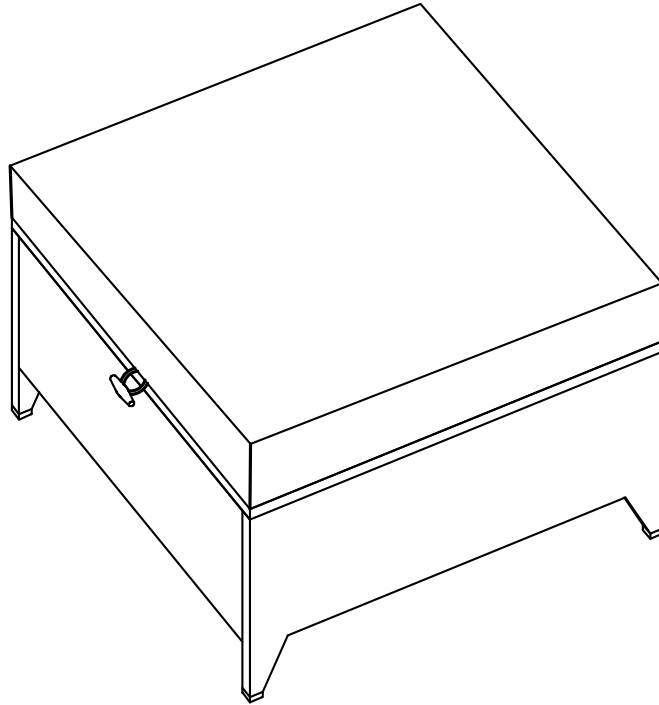


Assembly Instructions



*Don't fully tighten all the bolts till the very end!

PRE-ASSEMBLY PREPARATION:

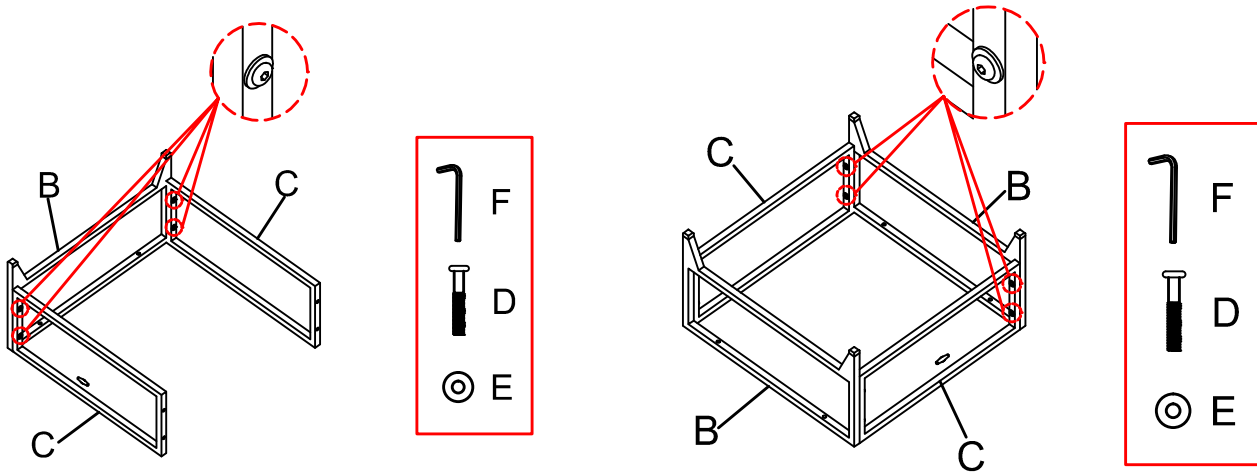
--- Please read through the instructions before beginning assembly.

*Don't fully tighten all the bolts till the very end! Clear a fully tiled space for assembly the very end! All of the parts based on the Parts List, extra room will allow you to easily determine if all the pieces are present.

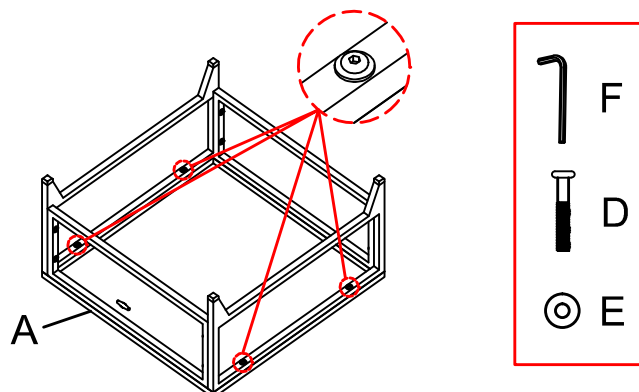
--- Keep small parts and pieces away from children until fully assembled.

Part no.	Part	QTY	Image	Part no.	Part	QTY	Image
A	Top panel	1		E	Washer	12	
B	Leg panel	2		F	Allen wrench	1	
C	Side panel	2		G	Cushion	1	
D	Bolts M6*35mm	12					

Step 1: Attach leg panels B to side panel C with 8pcs bolts D and 8pcs washers E ,using Allen wrench F . Note: Don't fully tighten the bolts.



Step 2: Attach top panel leg panels with 4pcs bolts D and 4ps washers E,using Allen wrench F. Note: Please fully tighten all the bolts.



Step 3 : Put the cushion G to the seat, now the ottoman is ready for use .

