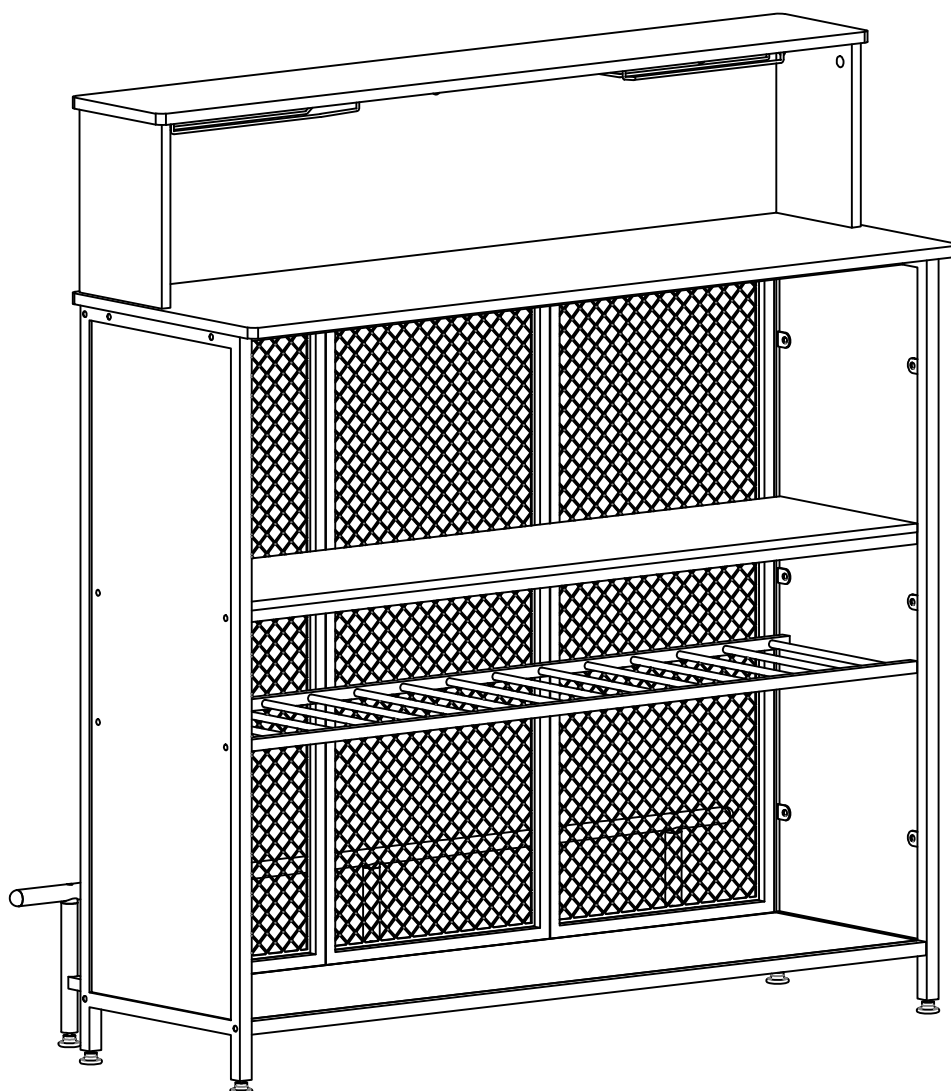
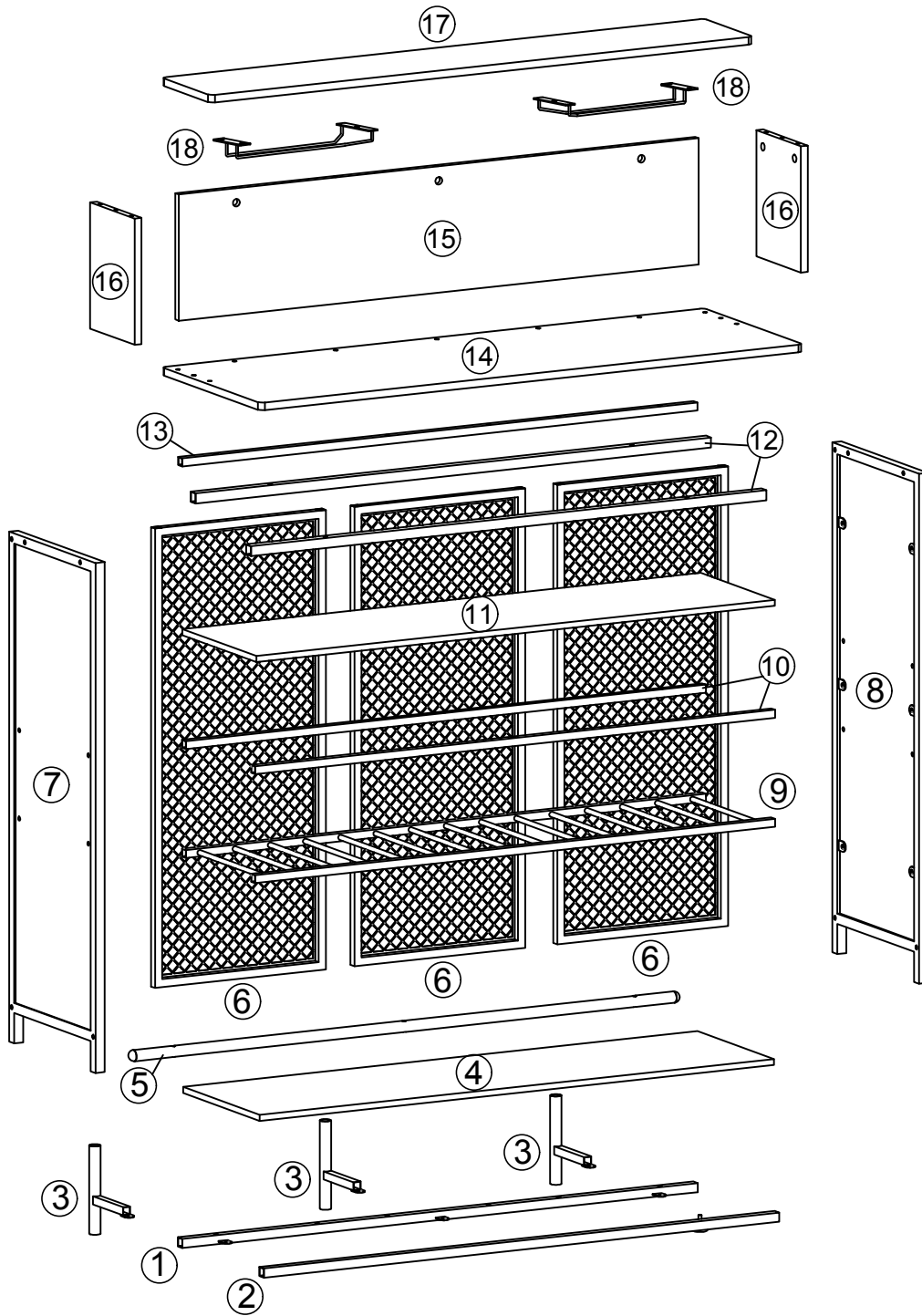








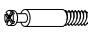

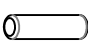





Assembly Instructions

Bar Table

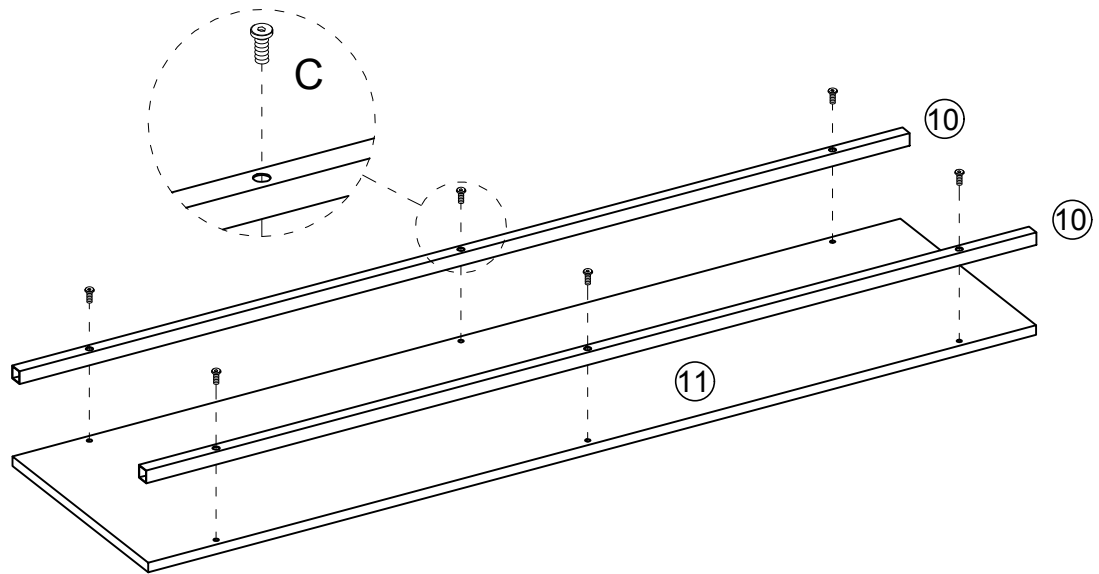
Two people are recommended for assembly

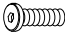




A	X9+1	B	X6+1	C	X18+1	D	X4+1	E	X21+1
									
M6*10mm		M6*12mm		M6*25mm		M6*30mm		M6*40mm	
F	X7+1	G	X7+1	H	X7+1	I	X8+1	J	X3
									
Φ7*40mm		6*35mm		Φ15*12mm		Φ8*30mm		Φ22mm	
K	X7	L	X1	M	X1	O	X7+1		
									
		M4X55							

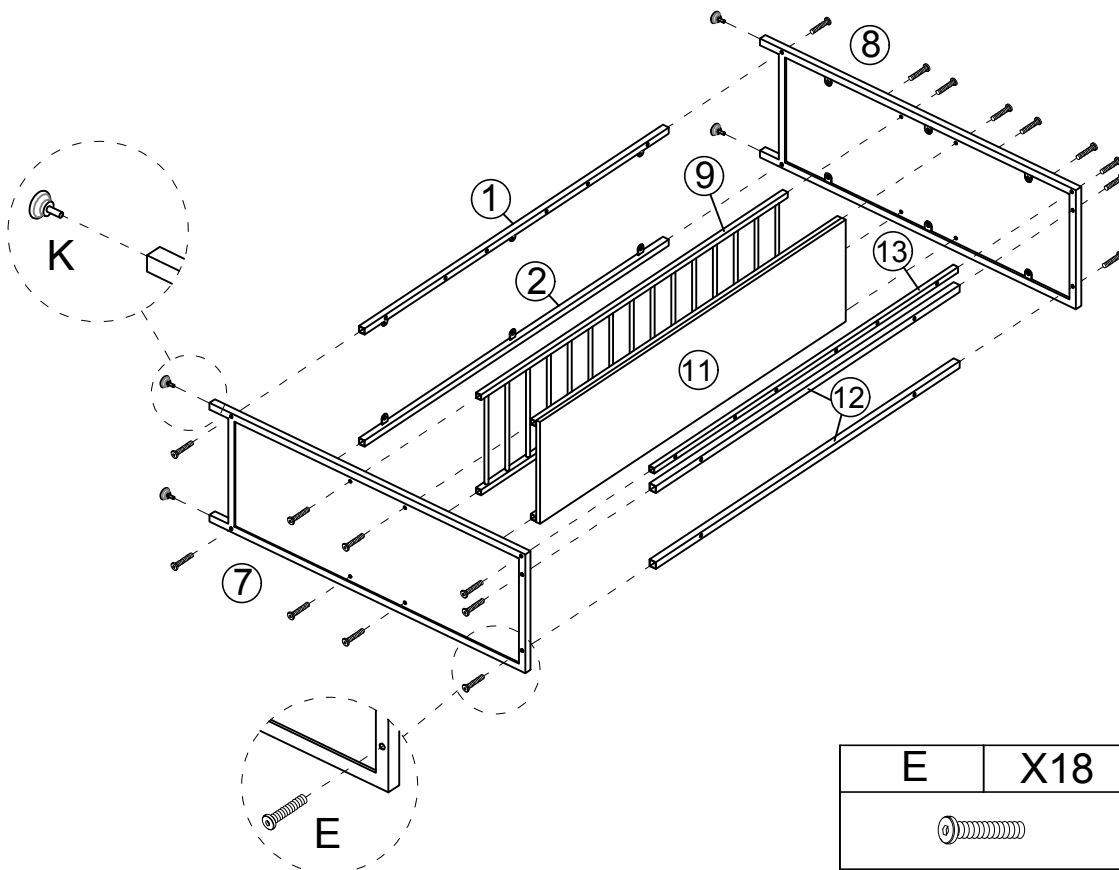
STEP 1

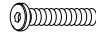



C	X6
	
M6*25mm	

STEP 2

DO NOT TIGHTEN
ALL THE SCREWS

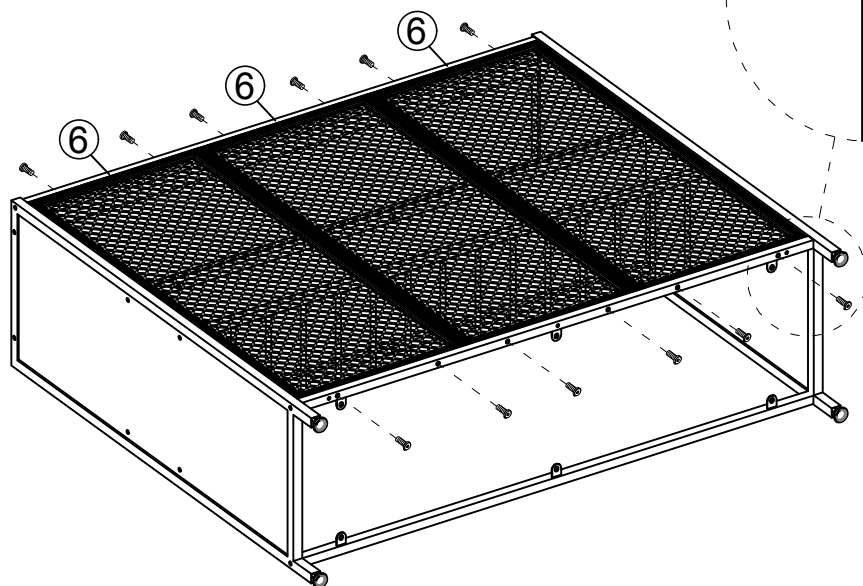


E	X18	K	x4
			
M6*40mm			

STEP 3



DO NOT TIGHTEN
ALL THE SCREWS

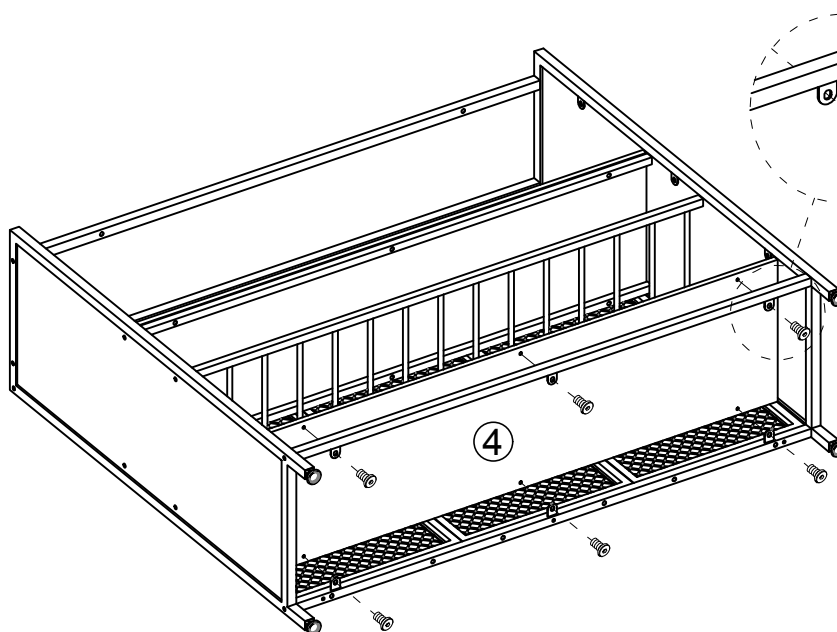


C	X12
M6*25mm	

STEP 4

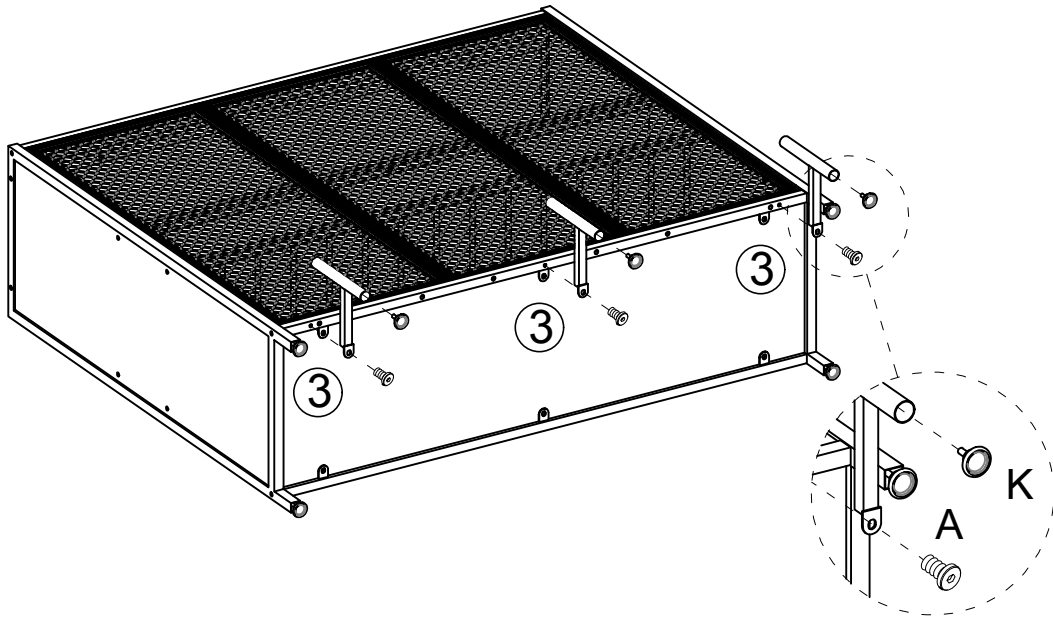




TIGHTEN ALL THE
SCREWS



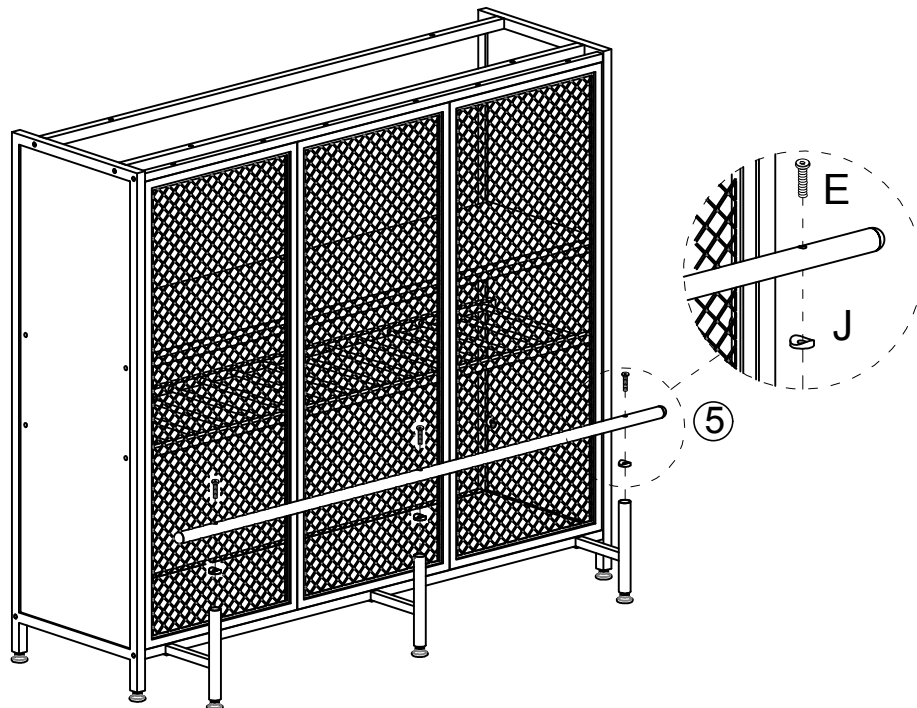
A	X6
M6*10mm	



STEP 5



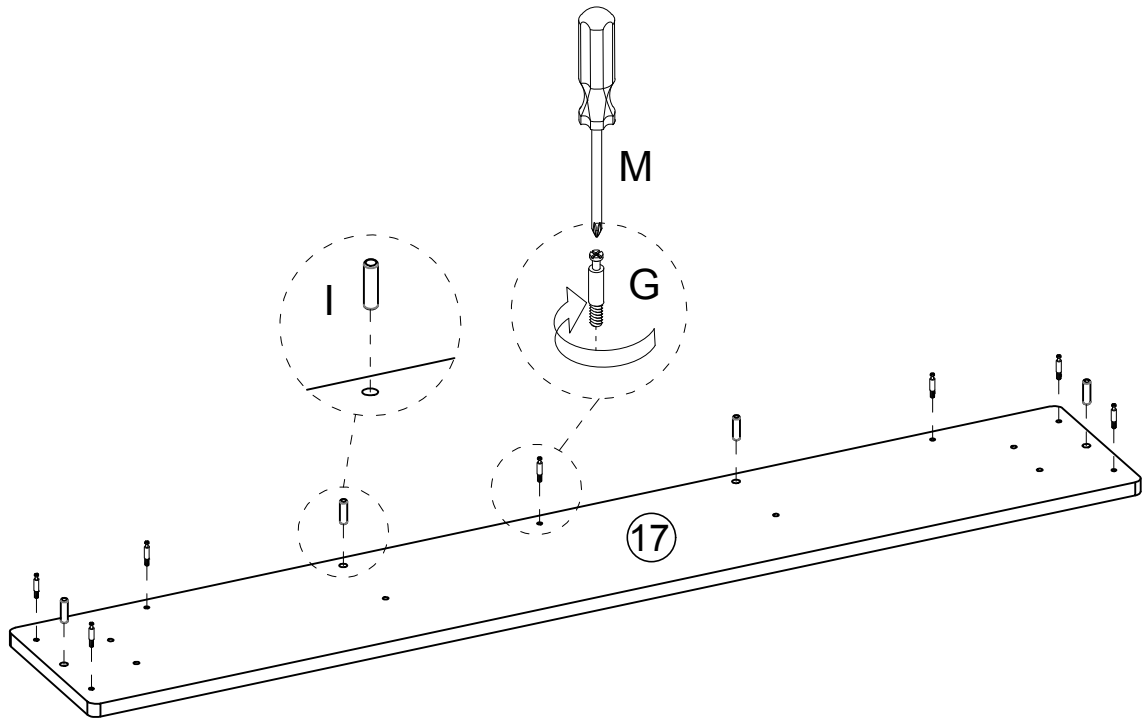
A	X3	K	x3
			
M6*10mm			


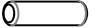
STEP 6



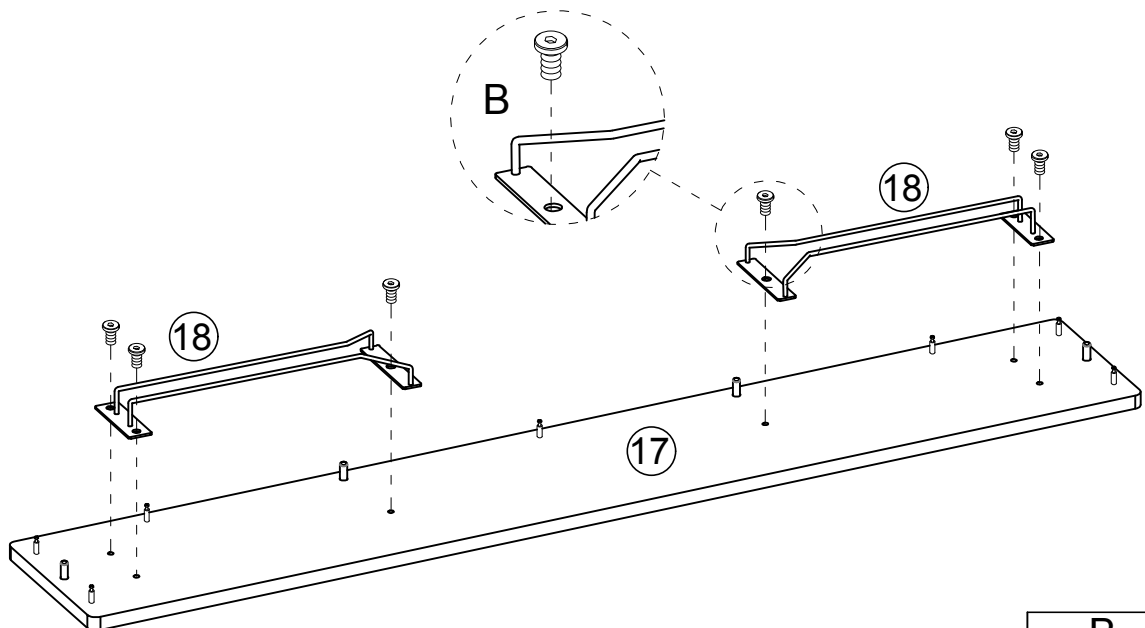
E	X3	J	X3
			
M6*40mm		Φ22mm	

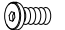
STEP 7



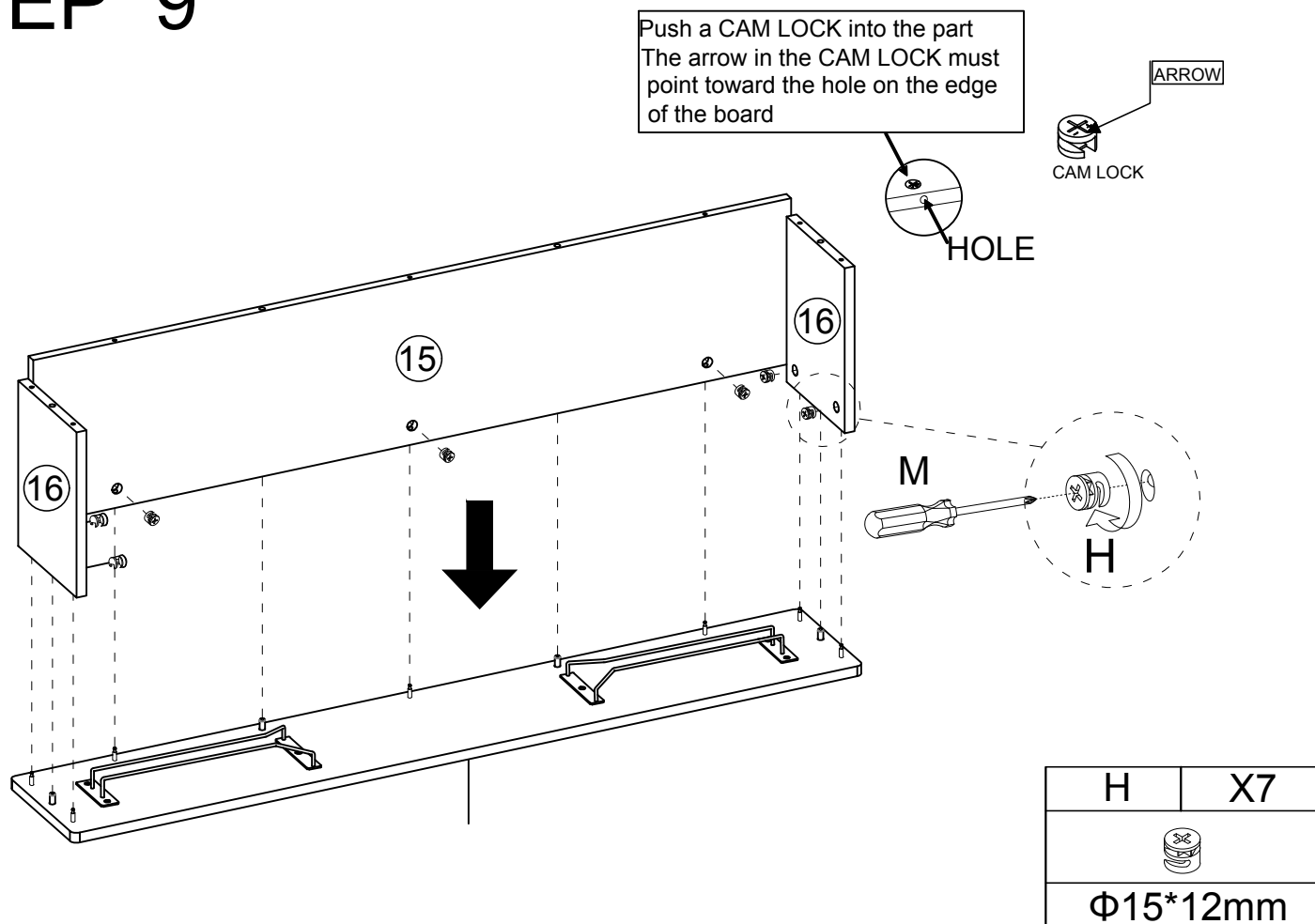
G	X7	I	X4
			
6*35mm		Φ8*30mm	

STEP 8

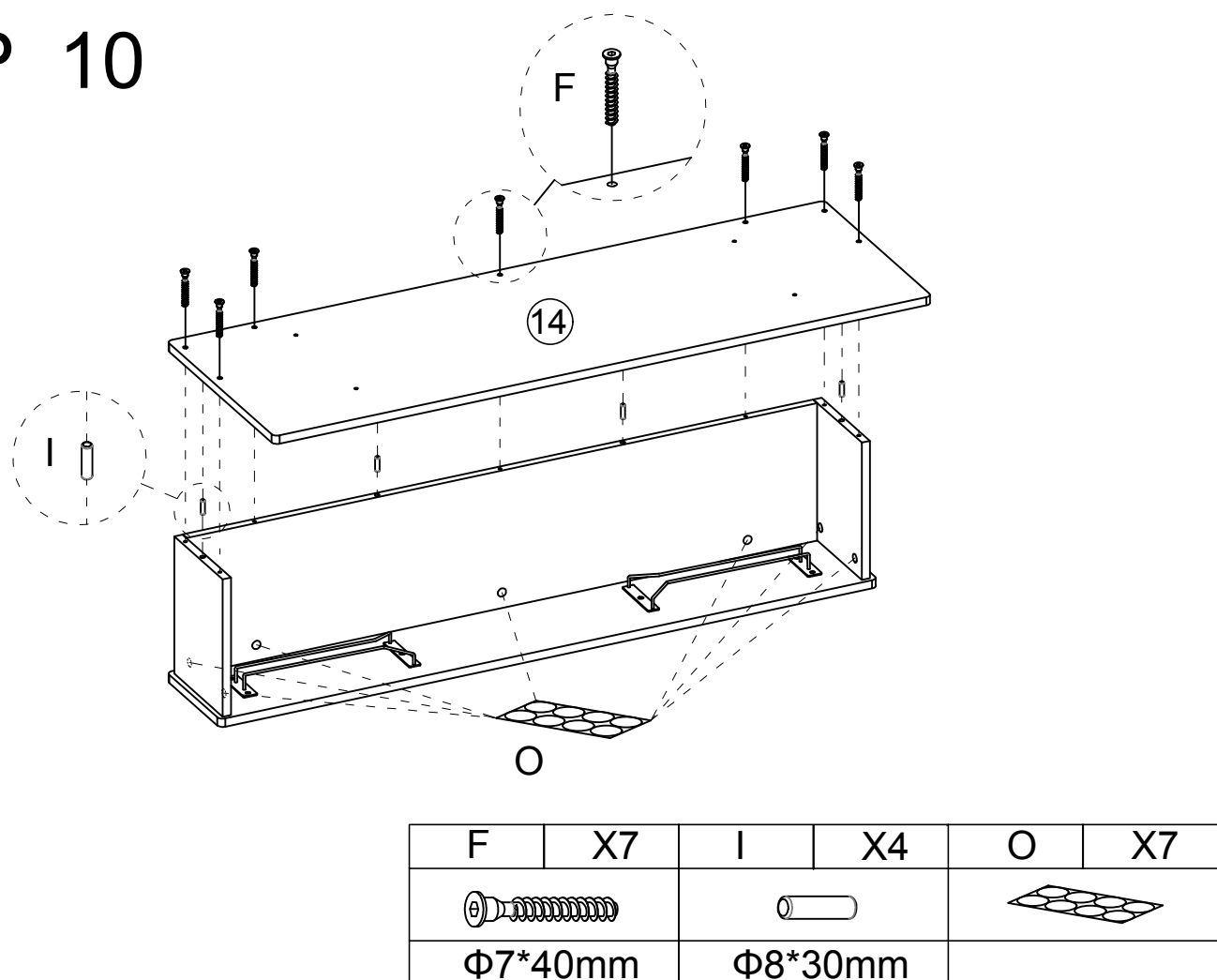


B	X6
	
M6*12mm	

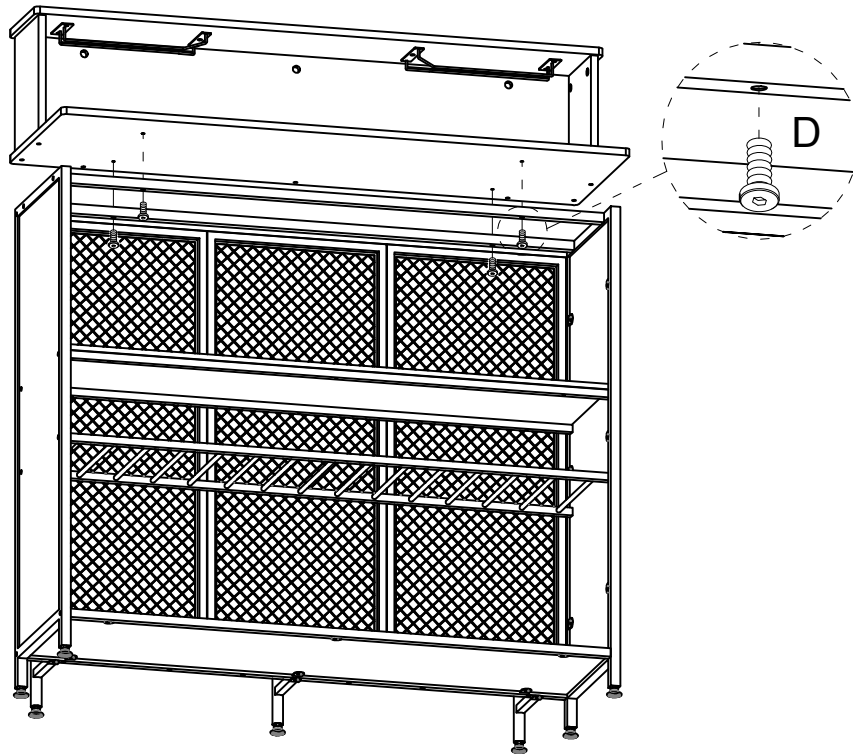
STEP 9

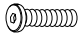


STEP 10



STEP 11



D	X4
	
M6*30mm	

STEP 12

