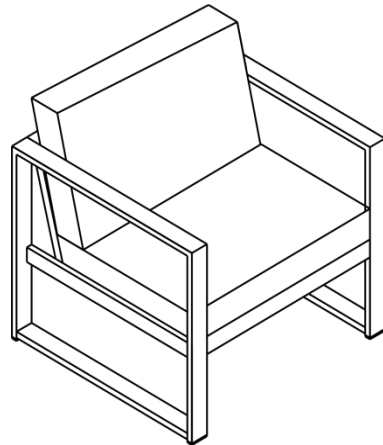


Assembly Instructions

Caution : You must read this before you proceed

Chair



Parts List

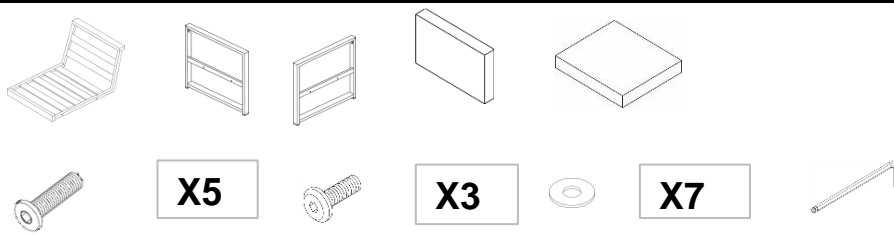
Label	Picture	Description	QTY
A		Seat	1
B		Right Armrest (with Pre-Installed Levellers)	1
C		Left Armrest (with Pre-Installed Levellers)	1
D		Seat Cushion	1
E		Back Cushion	1

Hardware

Label	Picture	Description	QTY
①		Bolt (M6*40MM)	5
②		Bolt (M6*32MM)	3
③		Washer	7
④		Allen Key	1

Assembly Preparation

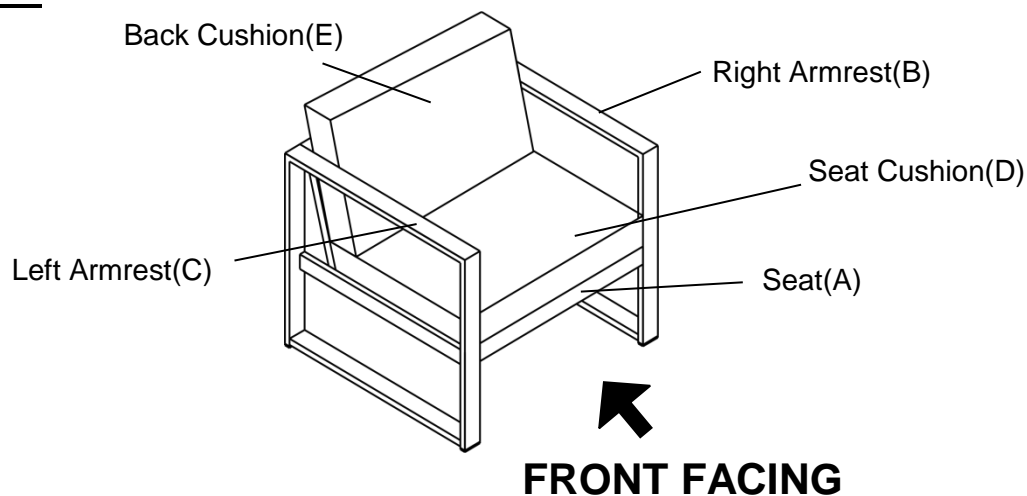
Before
Beginnin
g
Assembly
:



- Read instructions, cover to cover-
- Have 2 adults on hand for assembly-
- Do not assemble on flooring or carpet-
- Assemble on a clean non-marring surface (packing foam)-
- Save all packaging until finished-

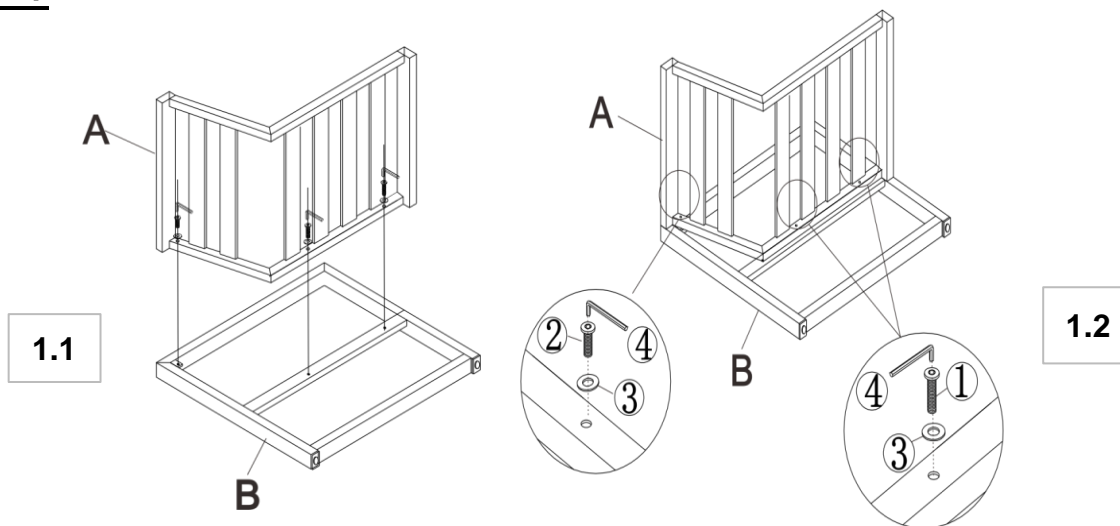
Assembly Steps

Overview



This Chair has multiple parts and may require up to 30 minutes to assemble. To give you an overview of the Chair parts, the above picture is to help you put the various parts into perspective. Please read through the instructions below to familiarise yourself with the parts and steps before assembly.

Step 1



Open the carton and place all the parts onto a clean, non-marring surface.
Place the Right Armrest(B) facedown.

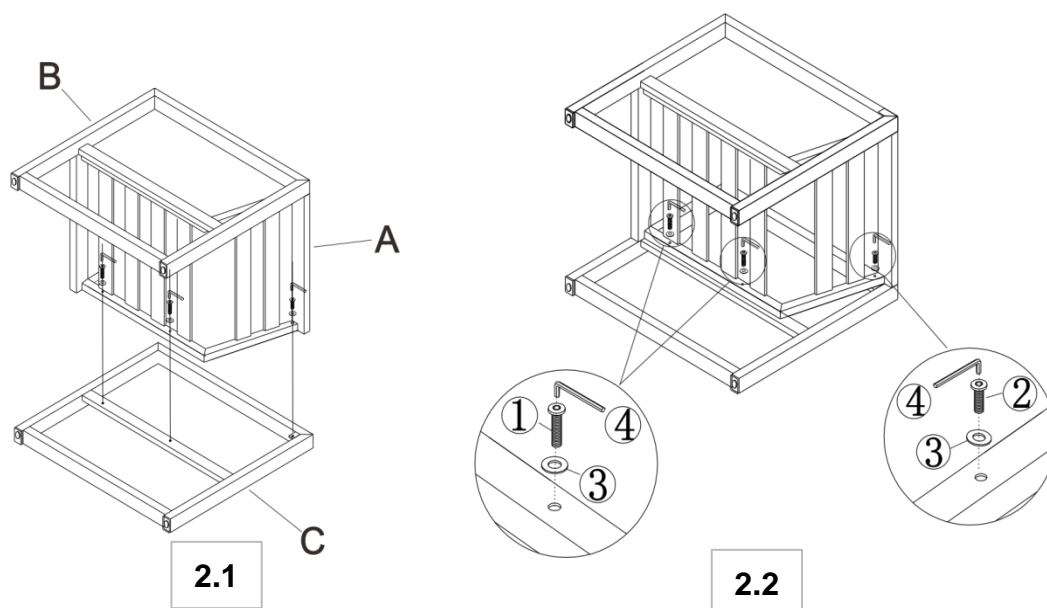
1.1) With the assistance of your adult partner, turn the Seat(A) over and align it to the Right Armrest(B).

1.2) Attach Seat(A) to Right Armrest(B) using Bolts(1) and Washers(3) with Allen Key(4) as shown above.

Attach Seat(A) to Right Armrest(B) using Bolt(2) and Washer(3) with Allen Key(4) as shown above.

Do not fully tighten the Bolts.

Step 2



Place the Left Armrest(C) facedown.

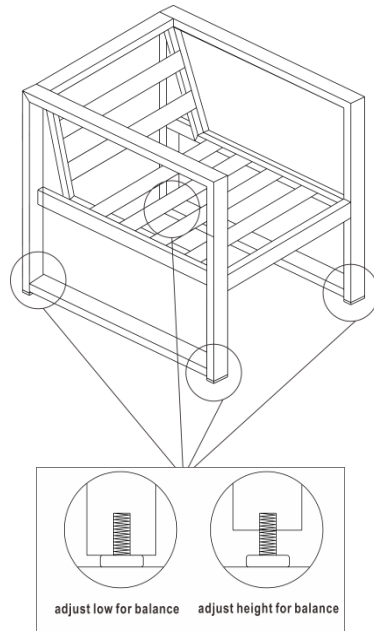
2.1) With the assistance of your adult partner, turn the Seat(A) with Right Armrest(B) over and align it to the Left Armrest(C).

2.2) Attach the Seat(A) to the Left Armrest(C) using Bolts(1) and Washers(3) with Allen Key(4) as shown above.

Attach the Seat(A) to the Left Armrest(C) using Bolt(2) and Washer(3) with Allen Key(4) as shown above.

Do not fully tighten the Bolts.

Step 3



In a sequential manner, proceed to tighten all Bolts.

DO NOT tighten any Bolt fully and then move on to the next one, this may cause the frame to warp.

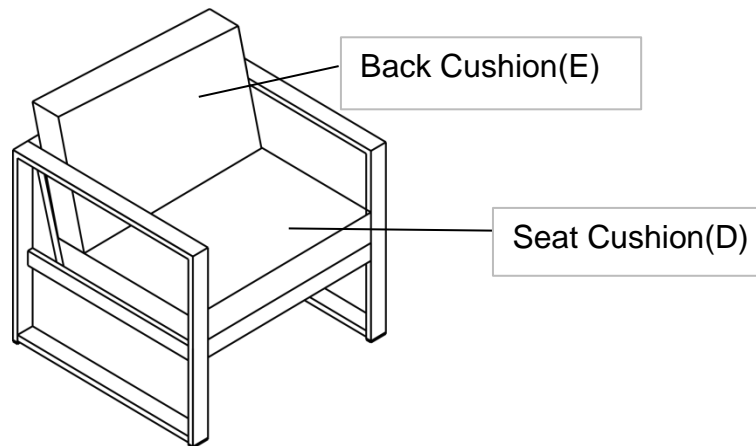
Then, with the assistance from an adult partner, stand the Chair upright.

Adjust the Pre-installed Levellers until the Chair is level with the ground.

To adjust the Levellers: with the assistance from an adult partner, tilt the Chair to rest on two feet.

Adjust the levellers to the desired height to avoid wobbles.

Step 4












Place the Seat Cushion(D) and Back Cushion(E) on the Chair.

Your Chair is ready for use.

This Chair can only be used on a flat and level surface.

Care & Maintenance

-  Do not put hot items directly on furniture surface
 -  Do not clean furniture with harsh cleansers or polish.
 -  To obtain the longest lifespan of your outdoor products, minimizing exposure to direct sunlight is recommended.
 -  Children should not climb or jump on the furniture.
 -  Do not write on furniture without a padded barrier to protect the surface.
 -  To obtain the longest lifespan of your outdoor products, avoid extended and lengthy exposure to rain, snow, and direct sunshine. Whenever possible cover the product and /or place under patio or awnings.
 -  Not for commercial use. For residential use only .
 -  Stains may be removed with mild soap solution and damp cloth.
-
-  Dust and pick-up spills using a clean, non-colored, lint-free cloth .

Questions & Answers about Proposition 65

• What is Proposition 65?

Proposition 65 requires businesses to provide warnings to Californians about significant exposures to chemicals that cause cancer, birth defects or other reproductive harm.

These chemicals can be in the products that Californians purchase, in their homes or workplaces, or that are released into the environment. By requiring that this information be provided, Proposition 65 enables Californians to make informed decisions about their exposures to these chemicals.

Proposition 65 also prohibits California businesses from knowingly discharging significant amounts of listed chemicals into sources of drinking water.

Proposition 65 requires California to publish a list of chemicals known to cause cancer, birth defects or other reproductive harm. This list, which must be updated at least once a year, has grown to include approximately 900 chemicals since it was first published in 1987.