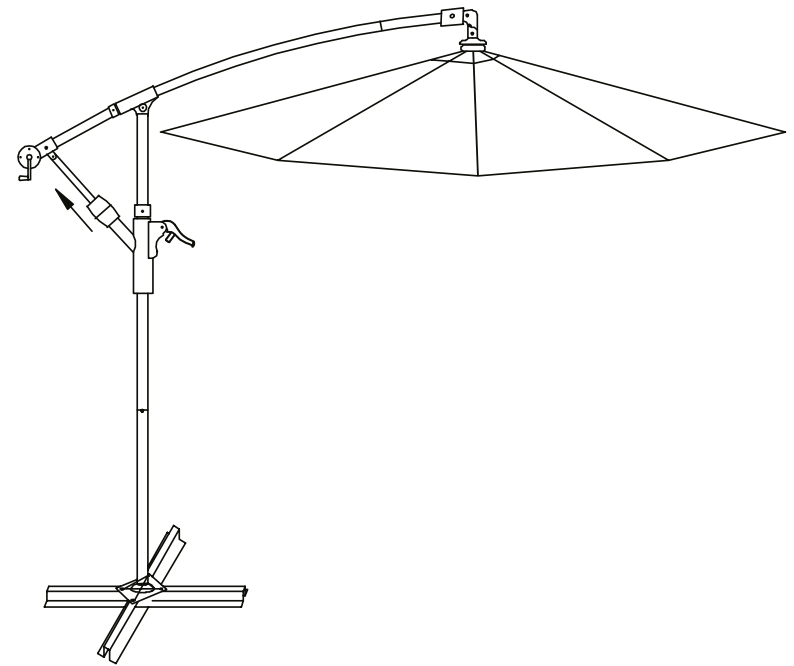


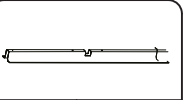
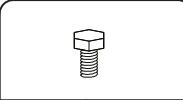
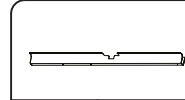
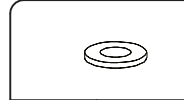
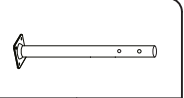
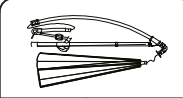
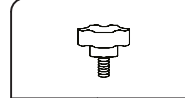
---

# User Manual



---

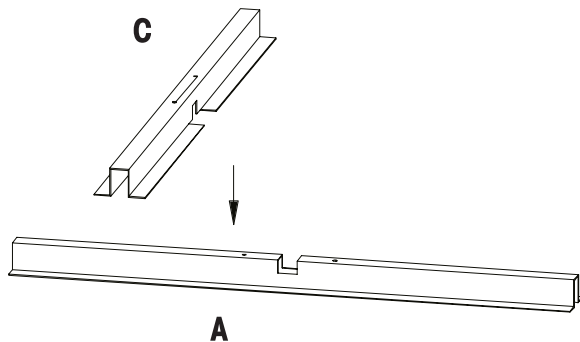
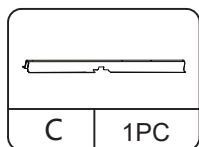
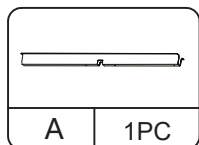
# Hardware List

			
A   1PC	B   4PCS	C   1PC	D   4PCS
			
E   1PC	F   1PC	H   2PCS	

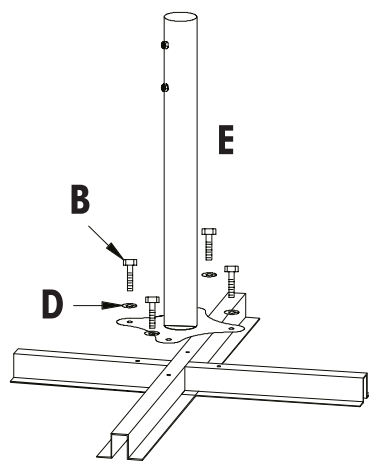
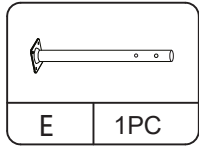
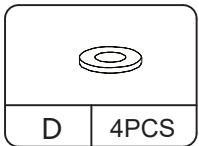
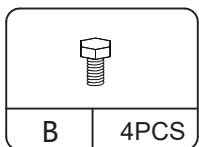
**PRODUCT ASSEMBLY**

**!** Check the package contents before getting started !

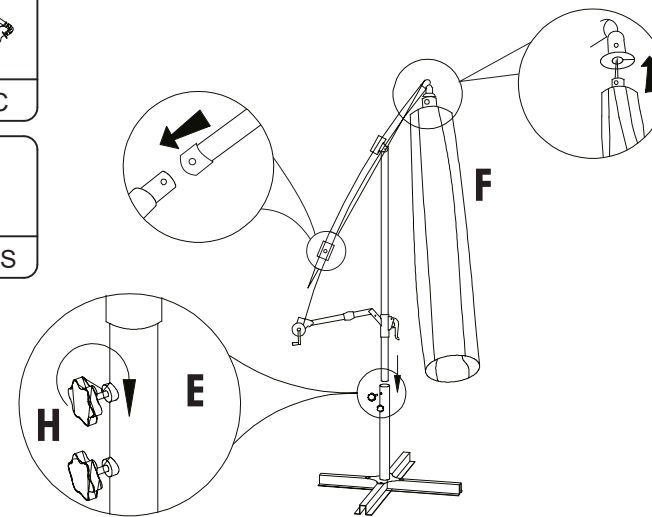
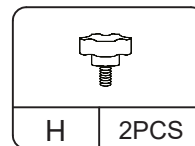
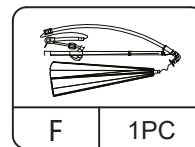
**STEP 1**



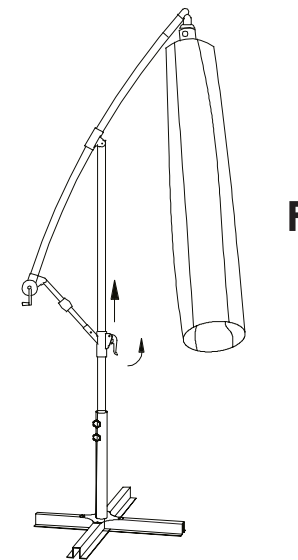
**STEP 2**



**STEP 3**



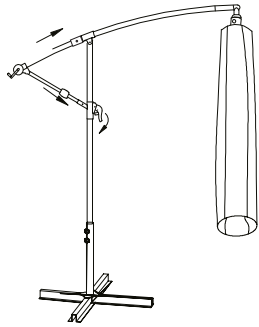
**STEP 4**



---

## OPEN THE OUTDOOR UMBRELLA

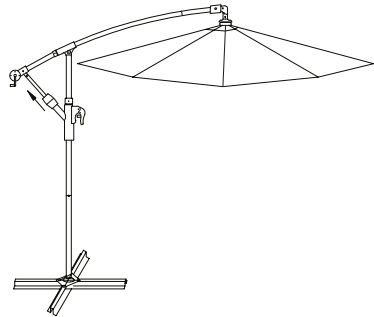
### STEP 1



### STEP 2



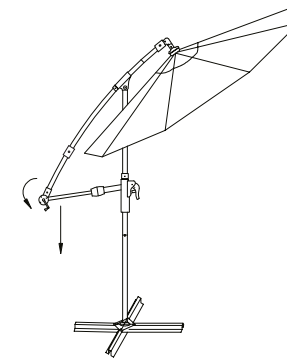
### STEP 3



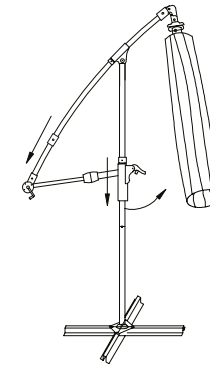
---

## FOLD THE OUTDOOR UMBRELLA

### STEP 1



### STEP 2



### STEP 3

