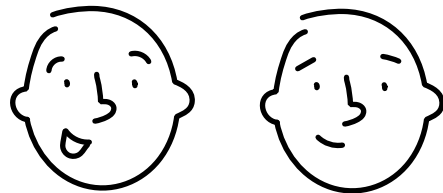
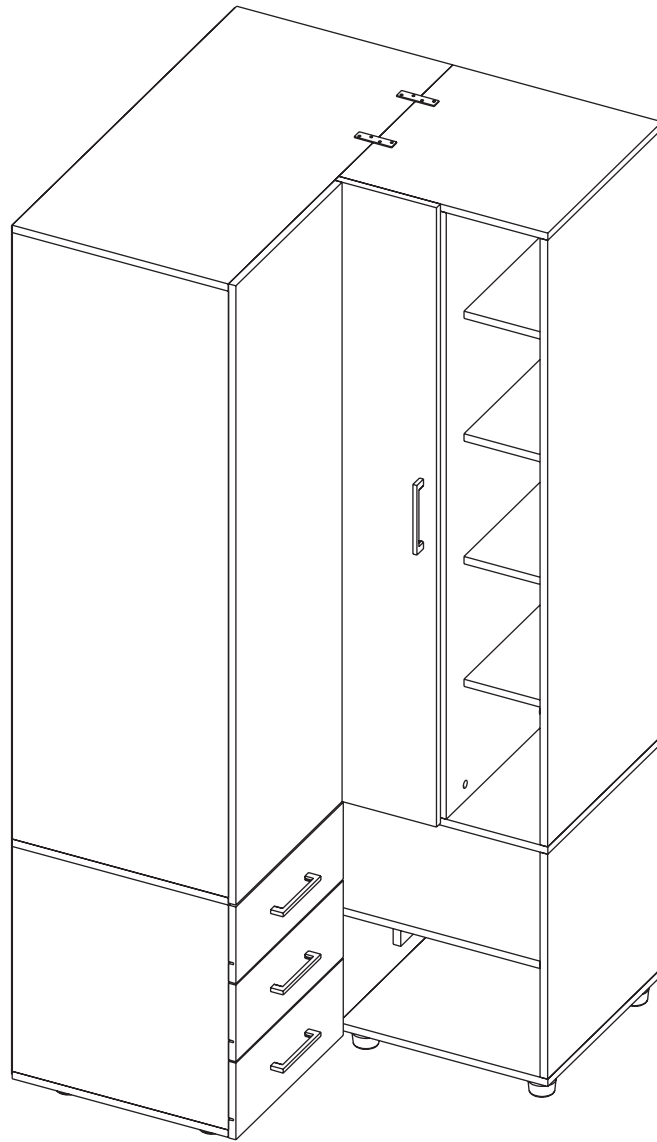


ASSEMBLY INSTRUCTIONS

CORNER ARMOIRE



It's much better if you get some company for this!

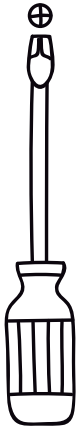
Index

What will you need?	2
Where should you start?	3
What's in the hardware bag?	4
How do the dowels and Minifix system work? (We also explain what they are)	5
Let's start assembling!	6
How much weight does your cabinet resist?	25
Our last recommendations for taking care of your cabinet	26

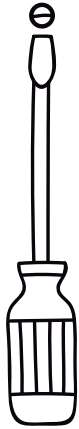
What will you need?

Hi! my name is Armando, and I'll be with you while you assemble this cabinet.

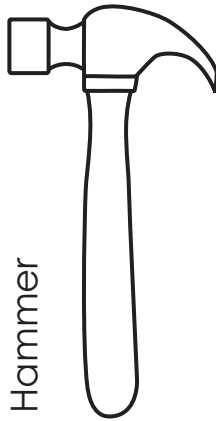
Phillips head screwdriver



Flat head screwdriver



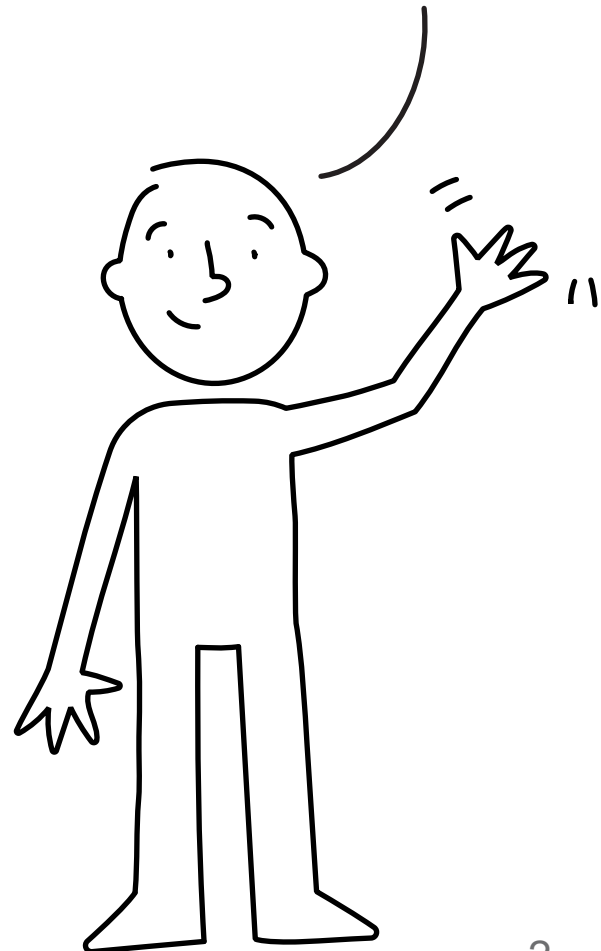
Hammer



A flat, smooth surface. You can use the cardboard of the box or a rug.



An electric screwdriver isn't necessary, but it can make the work much easier :)



Where should you start?

This is so IMPORTANT!

Over the next few pages is the panel and hardware content for this cabinet.

Please make sure that the quantity of each one is correct, and that everything is in good shape.


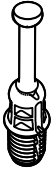


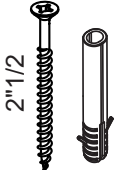
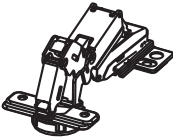
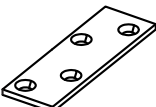

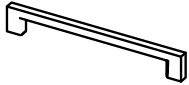
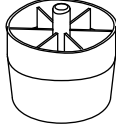
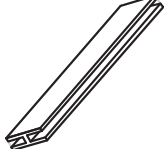
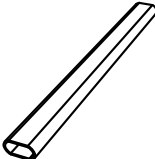
(When the cabinet is already assembled there's no warranty for this)

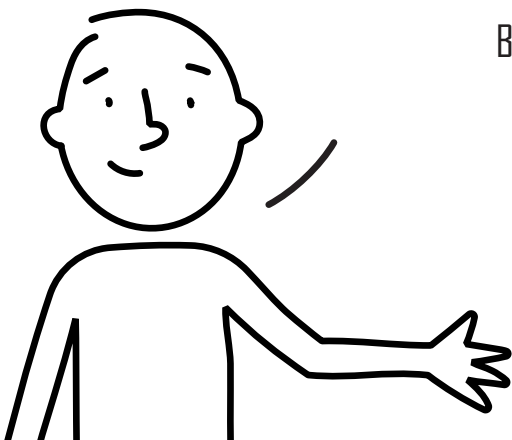


Panel quantity

A - x1	B - x1	C - x1	D - x1	E - x1
F - x1	G - x1	H - x1	I - x1	J - x1
K - x1	L - x1	M - x4	N - x6	O - x3
P - x3	Q - x1	R - x1	S - x2	T - x1
U - x1	V - x1	W - x1	X - x1	Y - x1
Z - x2	AA - x2	AB - x4	AC - x3	AD - x1
AE - x1				

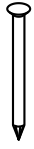
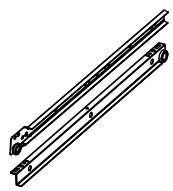


What's in the hardware bag?

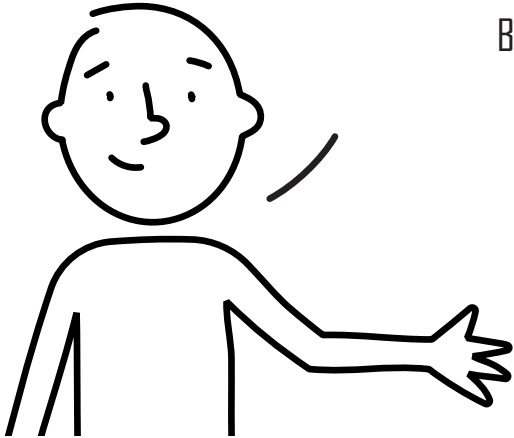
 <p>Wood dowel x87</p>	 <p>Spreading bolt x76</p>	 <p>Minifix cam x76</p>	 <p>Cover caps x80</p>
 <p>Wall anchor + Screw x4</p>	 <p>Corner Hinge + screws x3</p>	 <p>Flat Bracket x6</p>	 <p>2" Drywall Screw x16</p>
 <p>Handle + Screws x4</p>	 <p>Plastic Leg 40 mm x10</p>	 <p>H Profile x2</p>	 <p>Closet rod x2</p>



Be careful!, try not to lose anything from this bag, its content is necessary for assembling your cabinet.

What's in the hardware bag?

 Nail x80	 Slides + Screws x3	 Closet rod support x4	 Flat Head screw x32

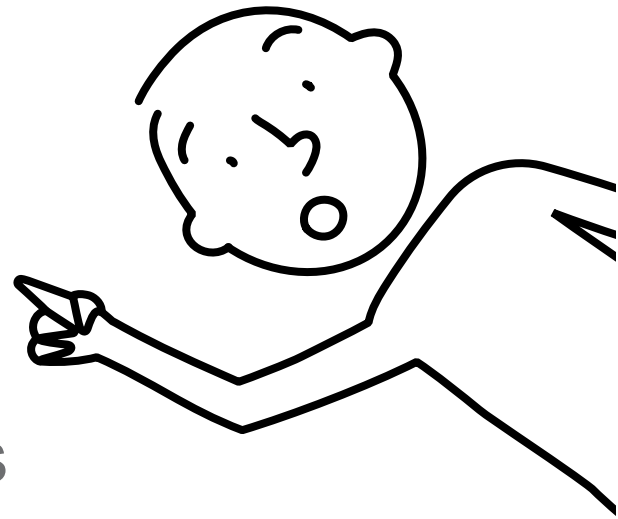


Be careful!, try not to lose anything from this bag, its content is necessary for assembling your cabinet.

How do the dowels and Minifix system work?

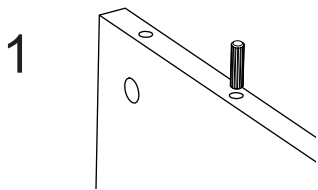
this is so important too!

Everytime you're using one of these connectors during the assembly, you should follow these same steps.

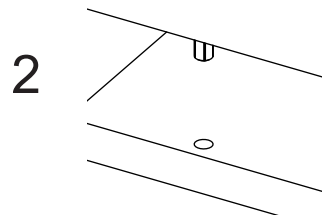


Wood dowels

They are little wooden cylinders.



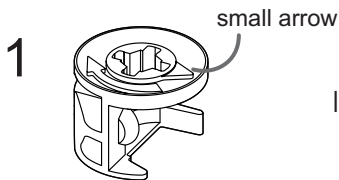
Put in the dowel inside the indicated hole and softly hit it until it's fully inside.



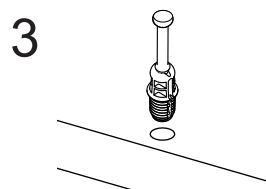
When joining two panels together, don't forget to gently hit the panels to adjust the joint.

Minifix system

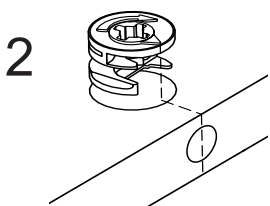
It's a joint compound of two parts: a spreading bolt and a Minifix cam.



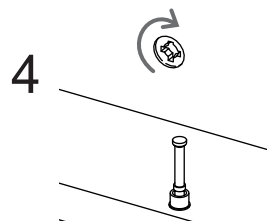
This is a Minifix cam. It has a little arrow on its upper surface.



This is a spreading bolt. You should put it with the black plastic part facing



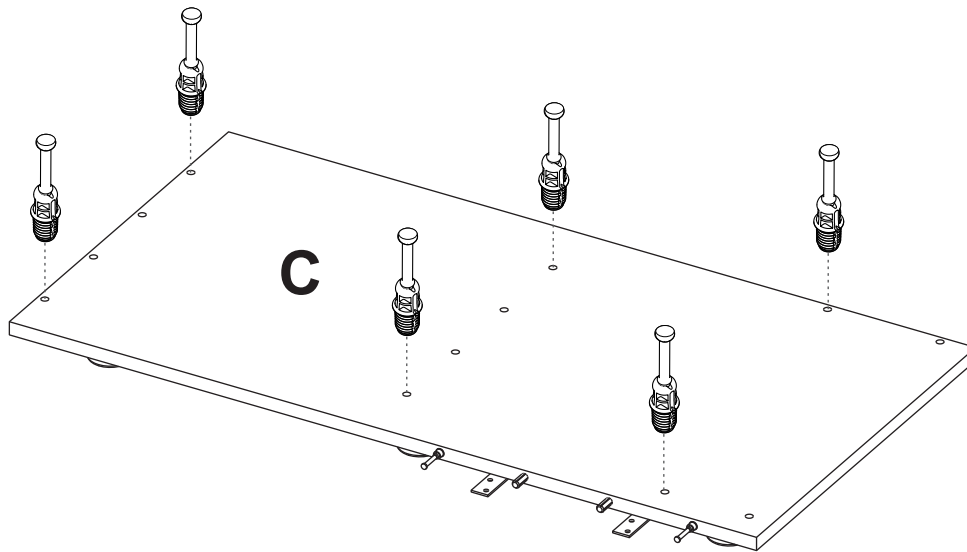
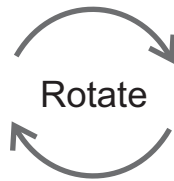
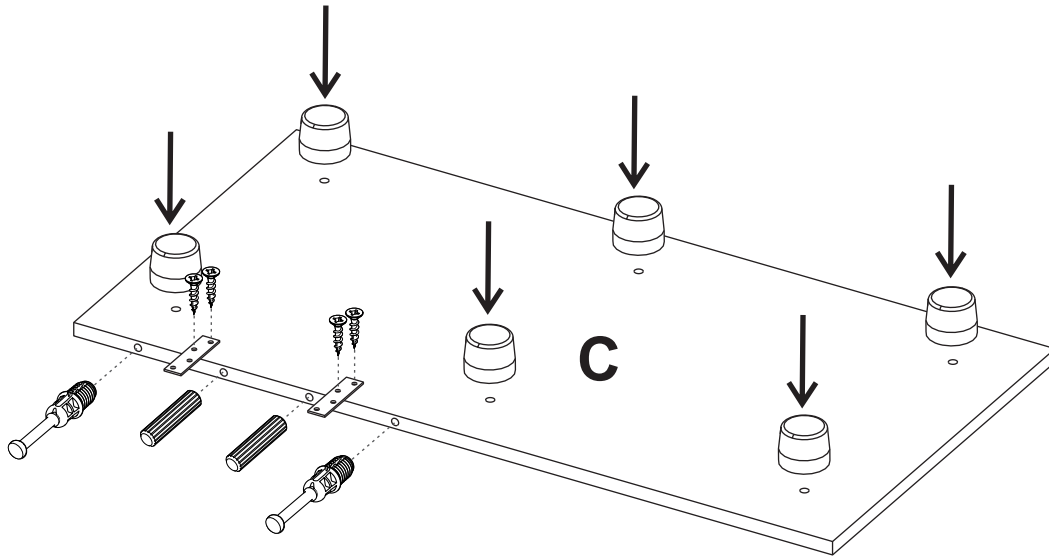
You should insert these cams with the little arrow pointing towards the drilling on the panel's edge (shown on the left).



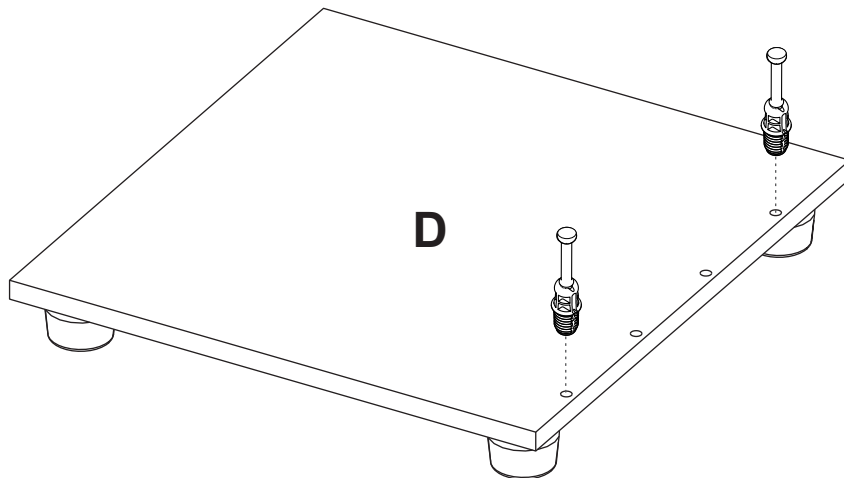
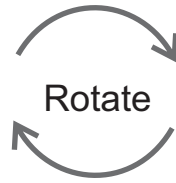
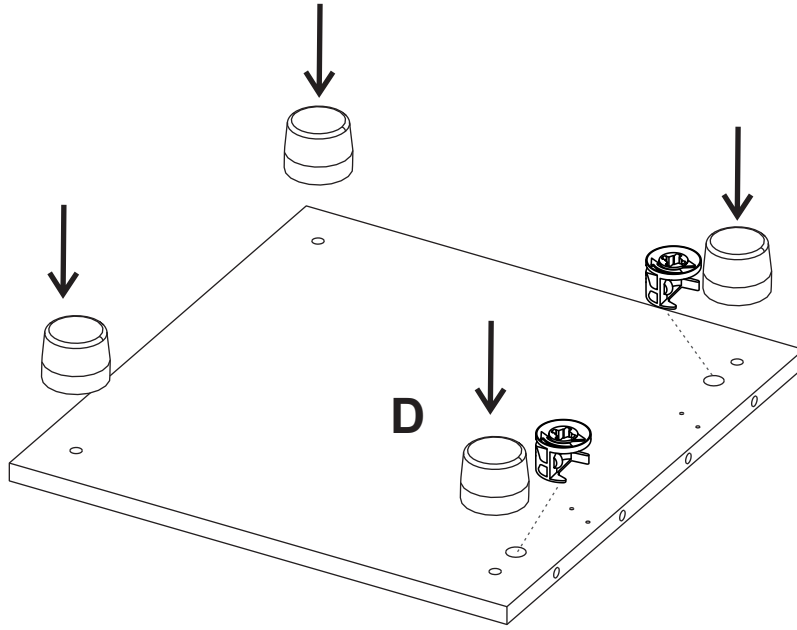
After joining two panels together you should turn the cams 180° with a phillips head screwdriver to adjust and secure the joint.

1 Let's start assembling!

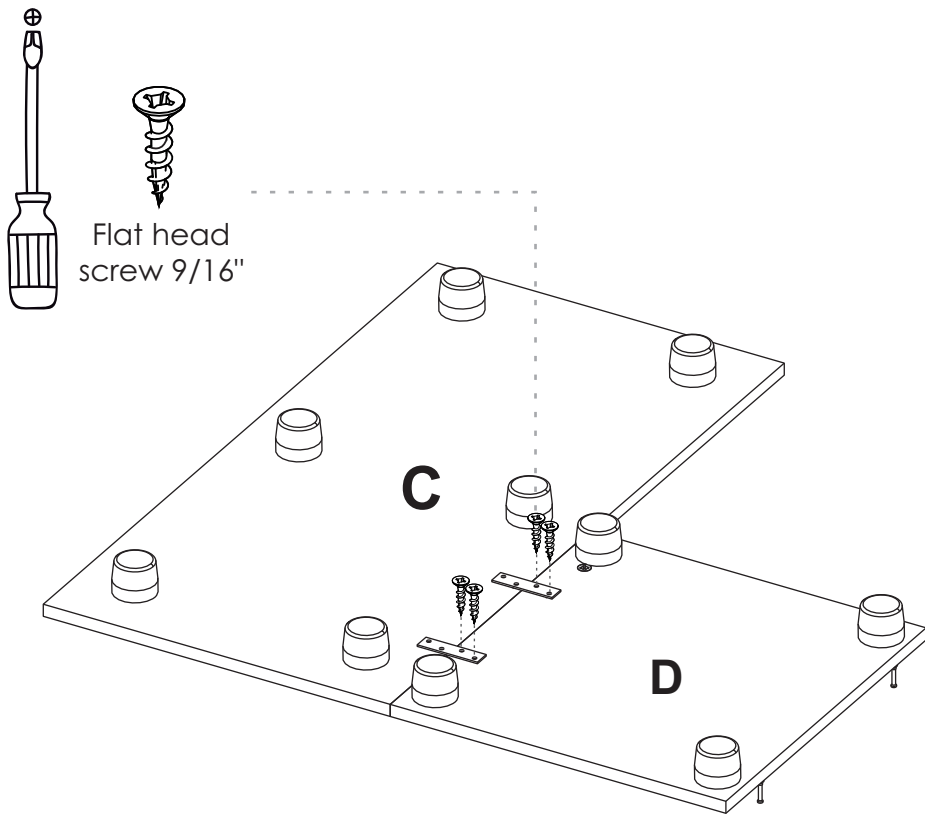
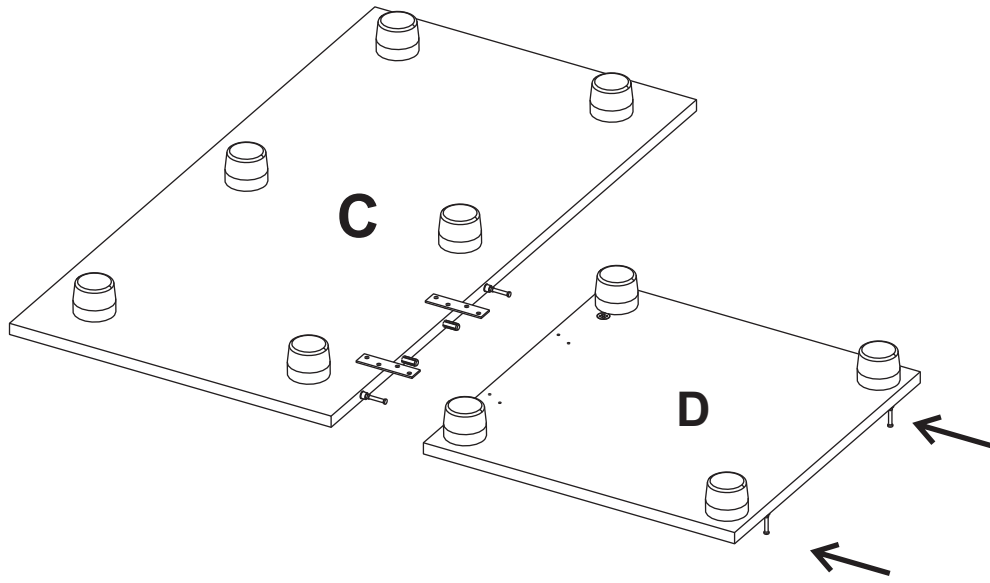
You can see the last page of this manual to have a full look of the panels of this cabinet.



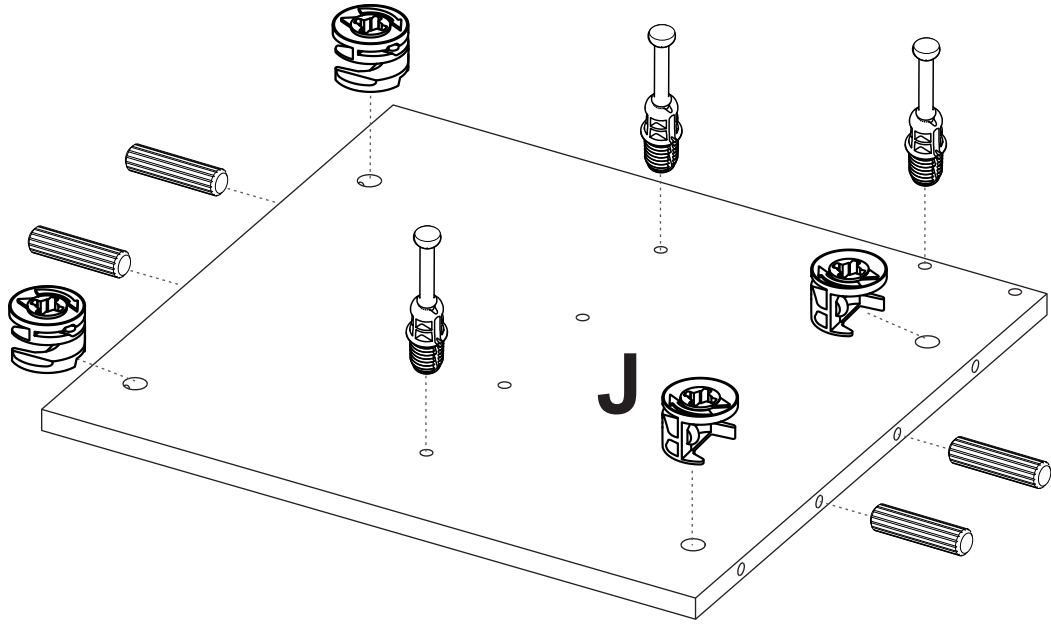
2



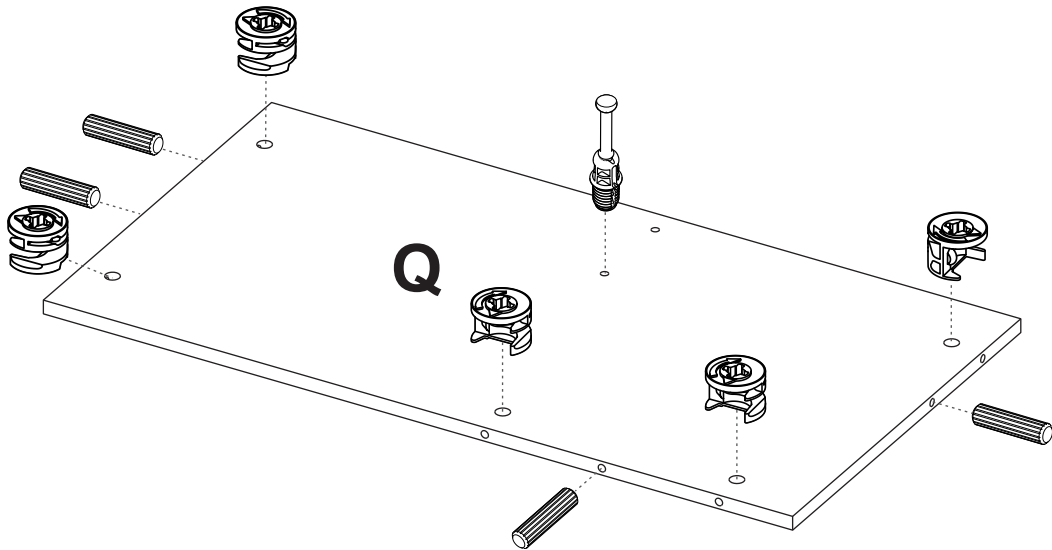
3



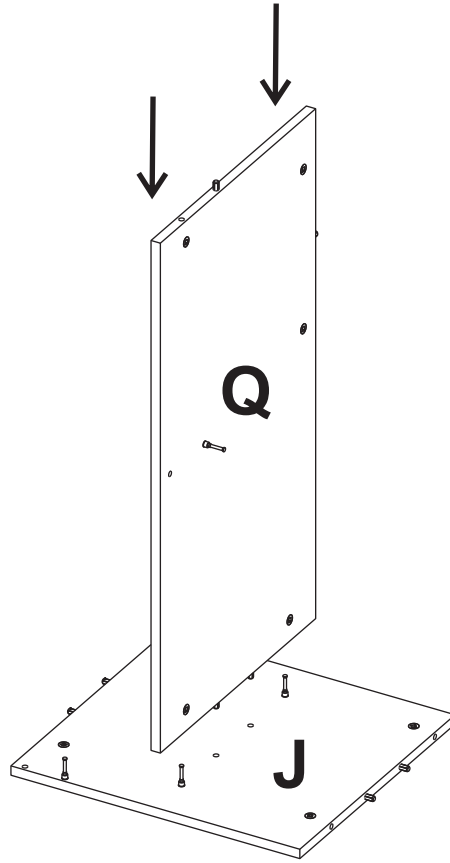
4



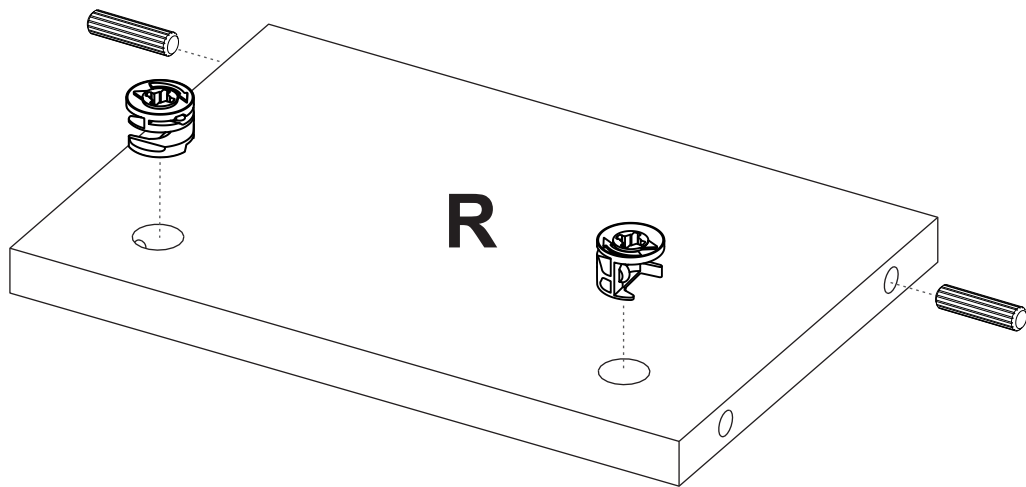
5



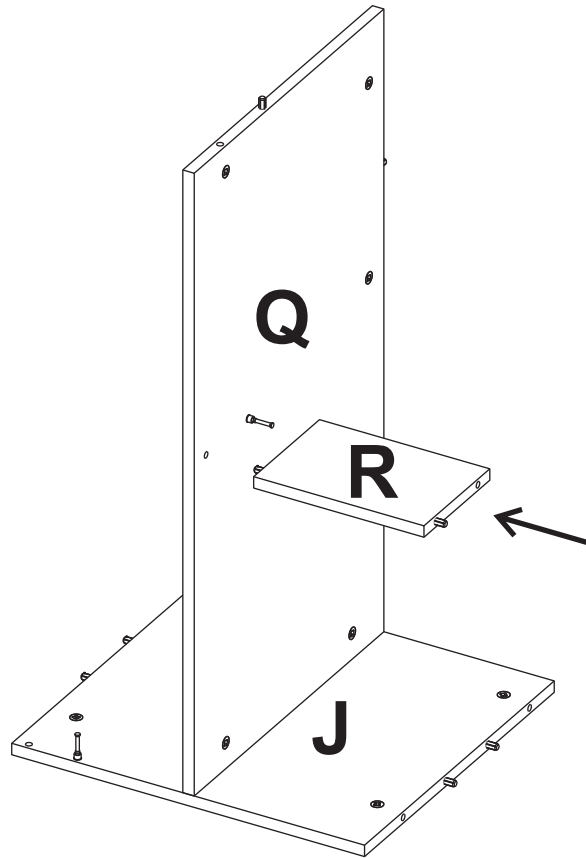
6



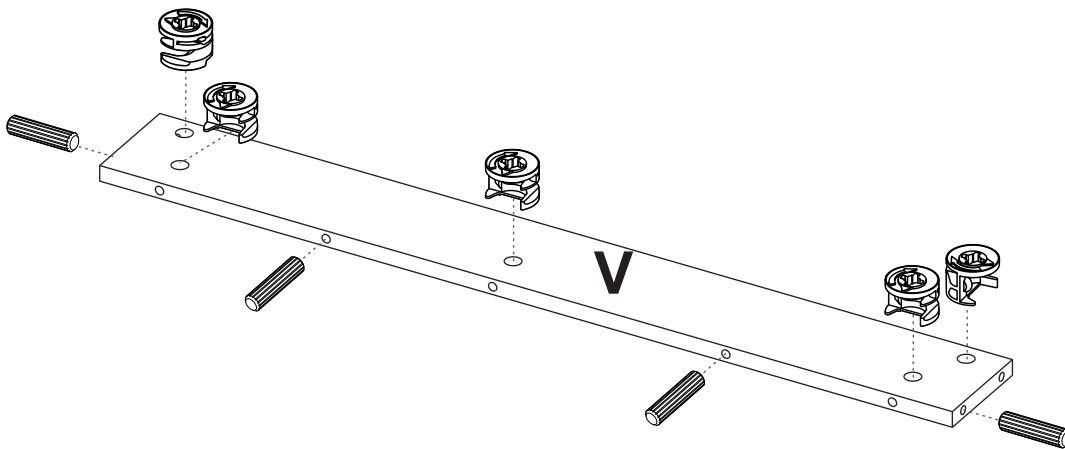
7

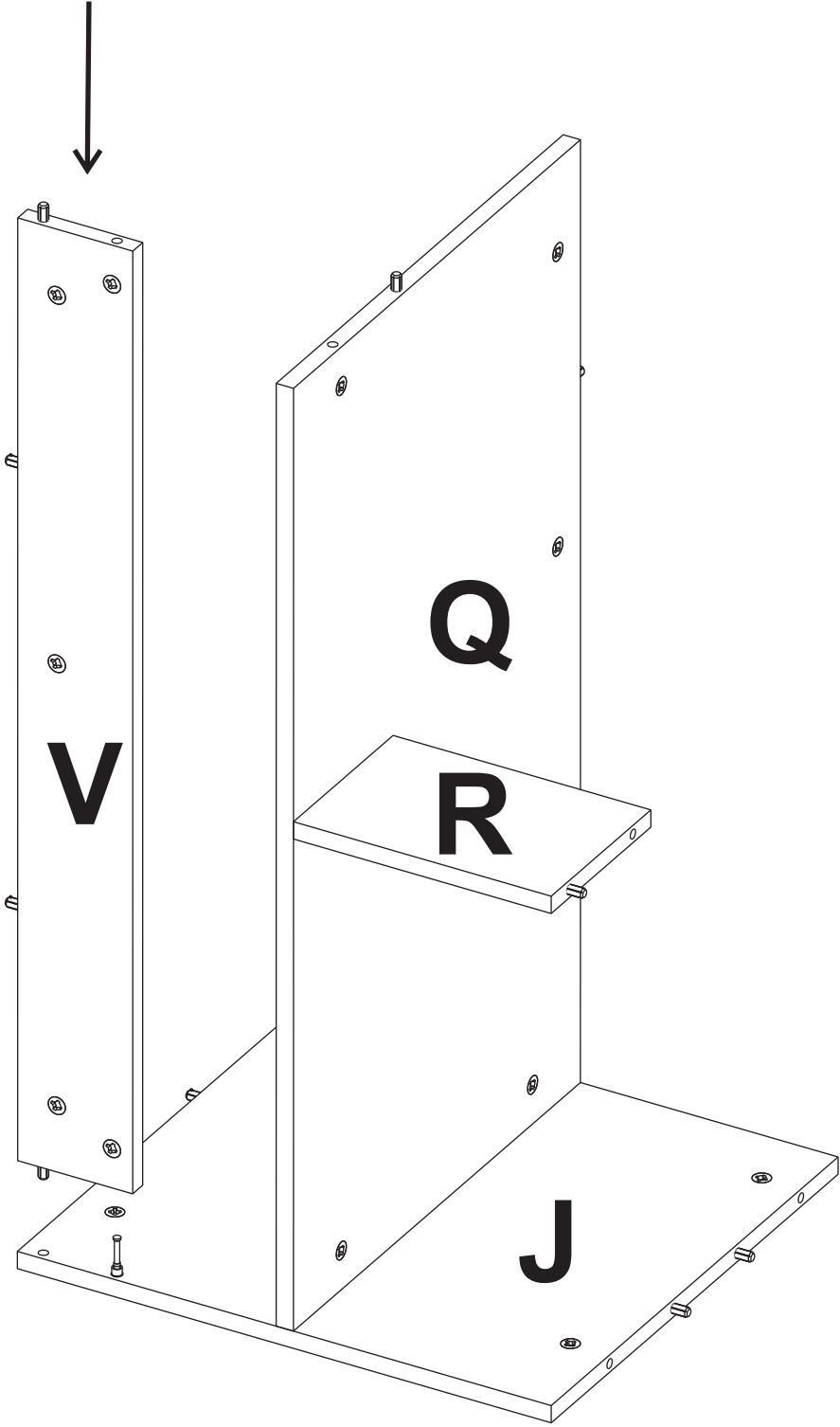


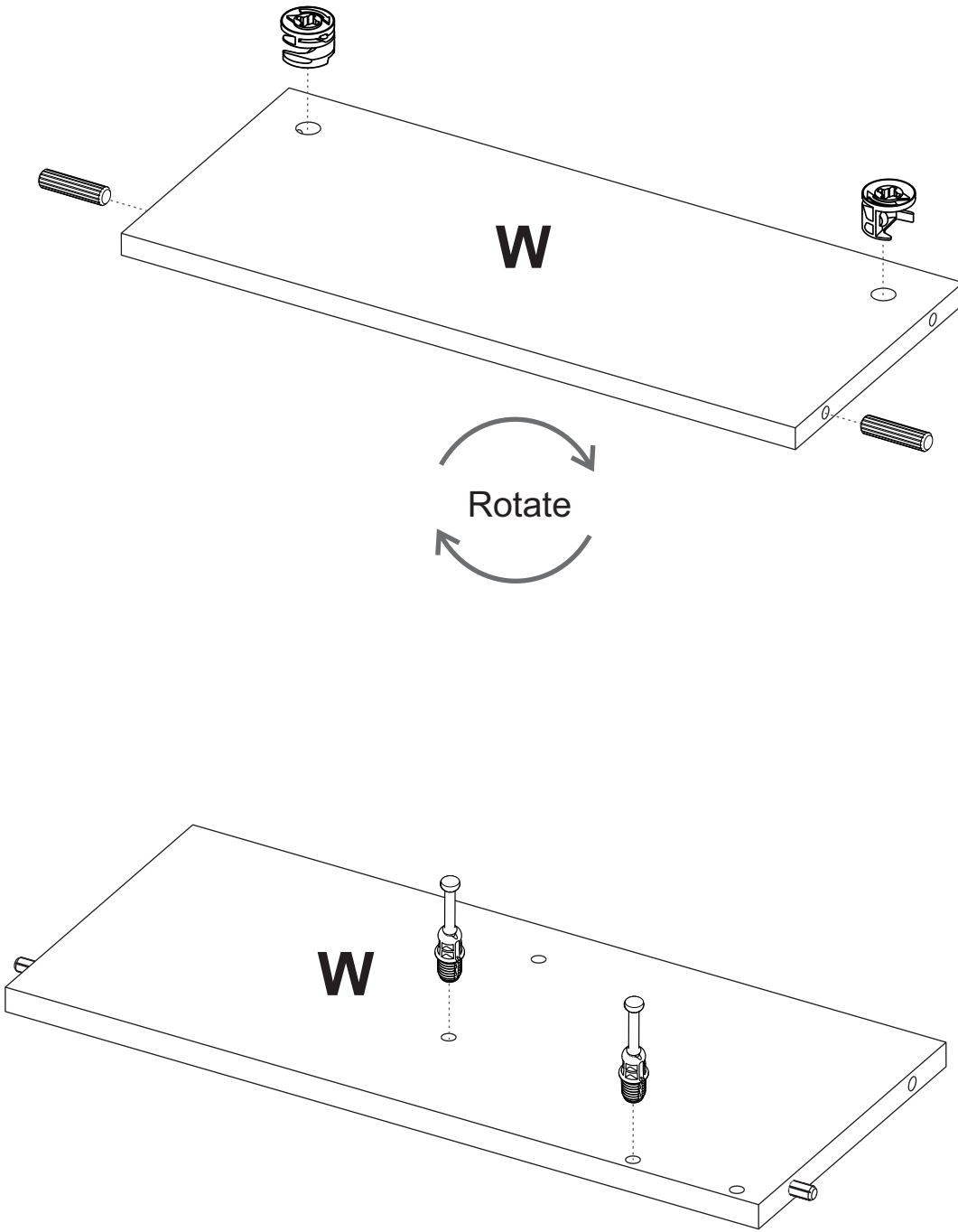
8



9

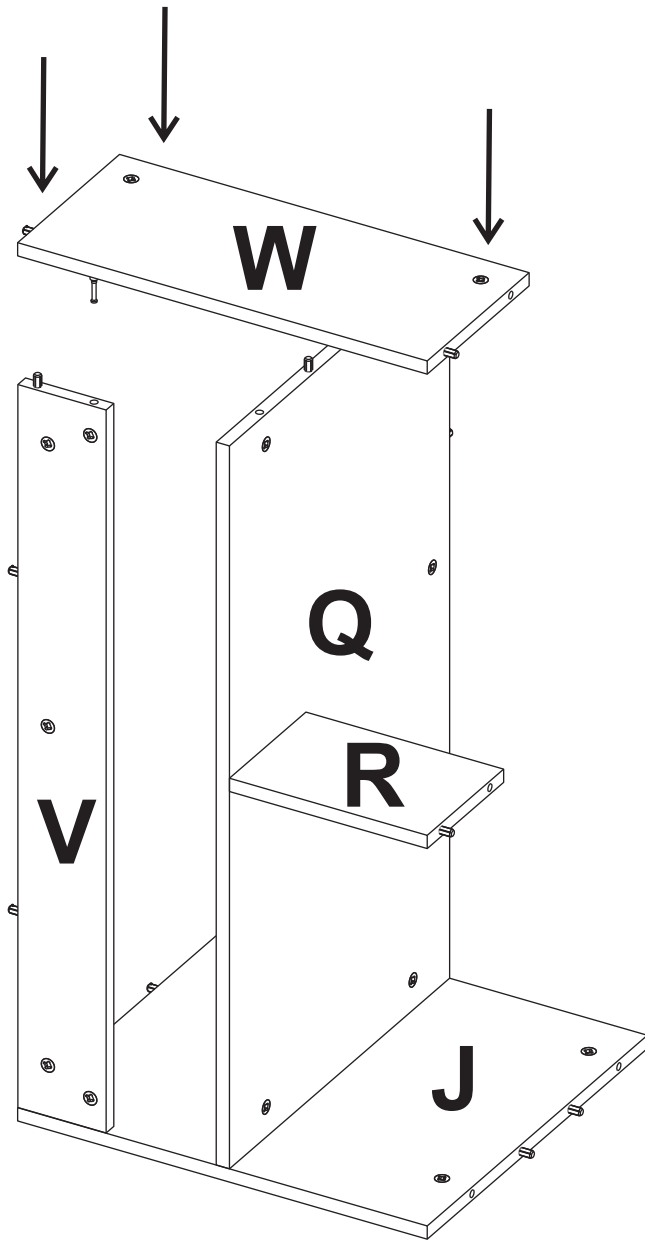


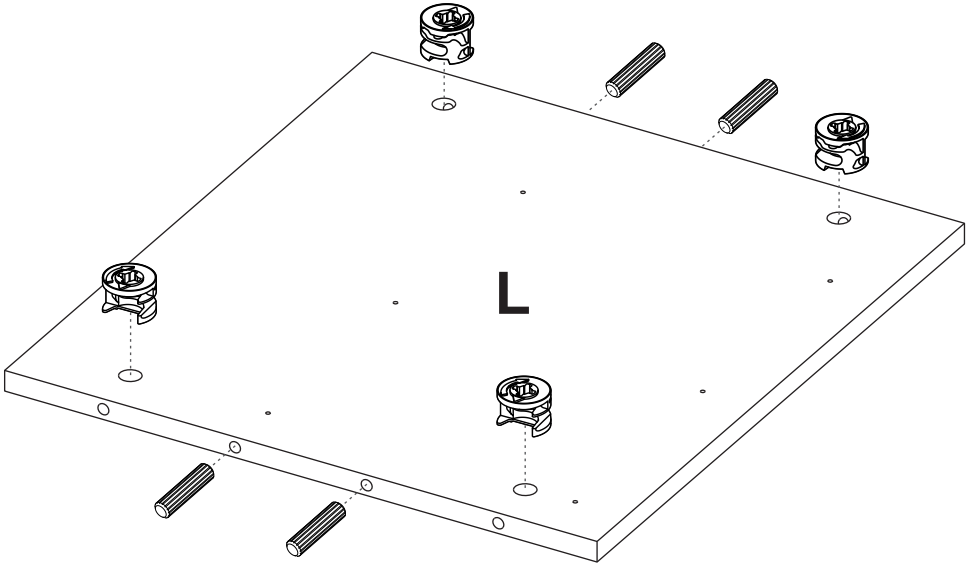




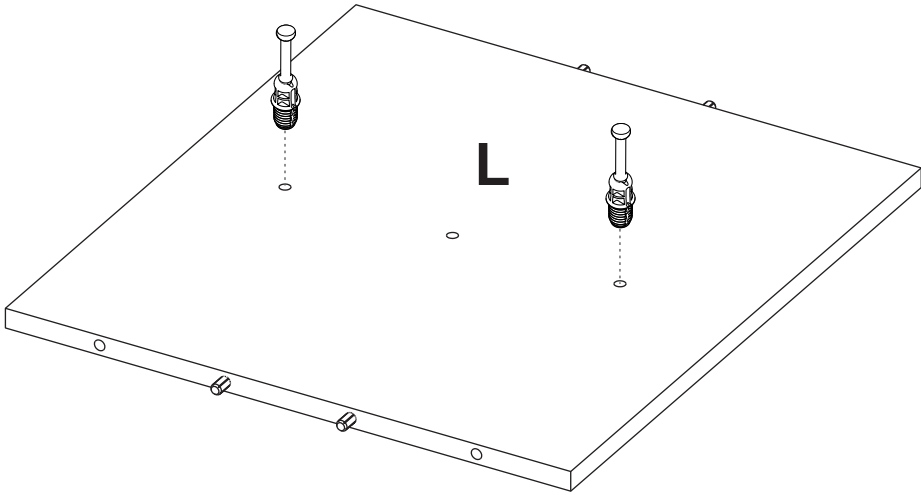
Turn over the cabinet

Very carefully!

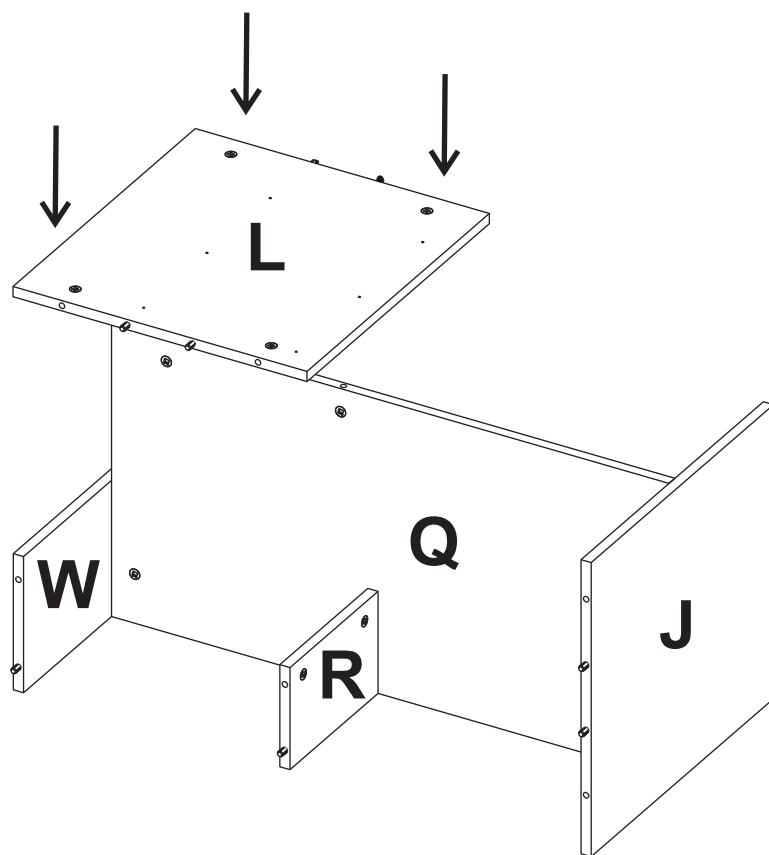




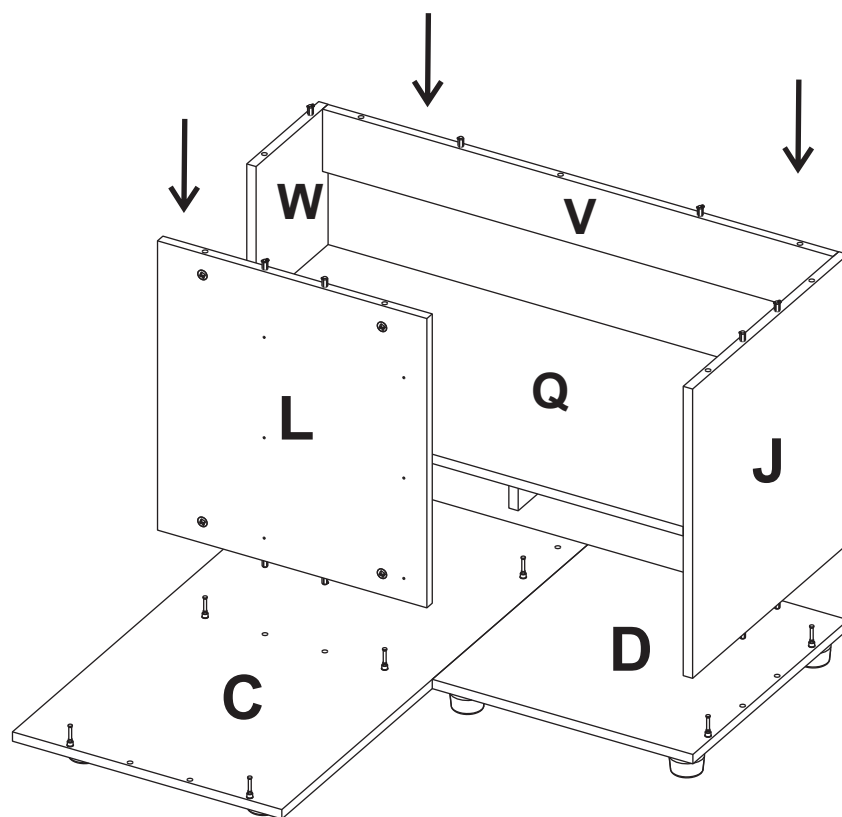
Rotate



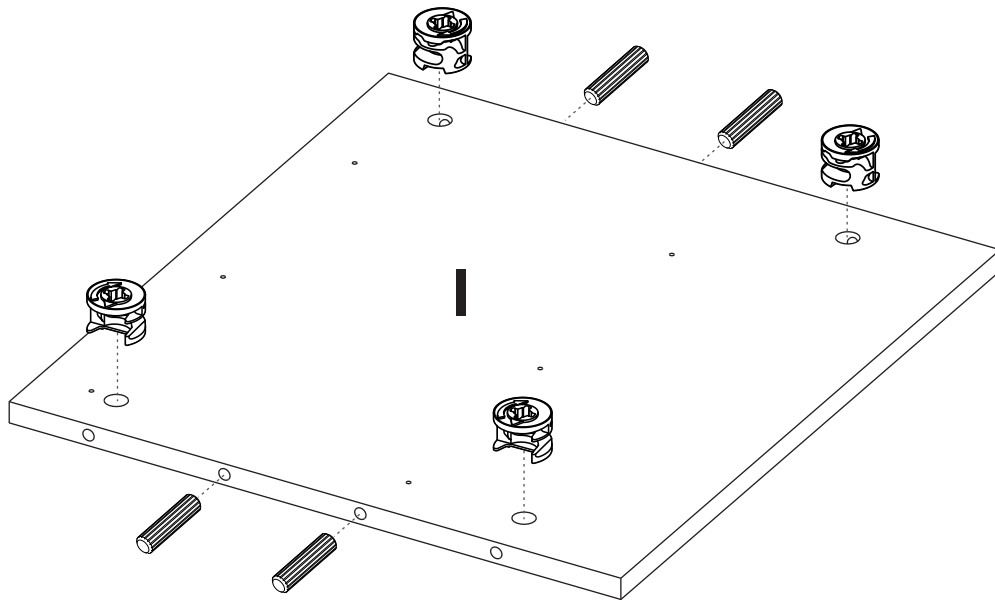
14



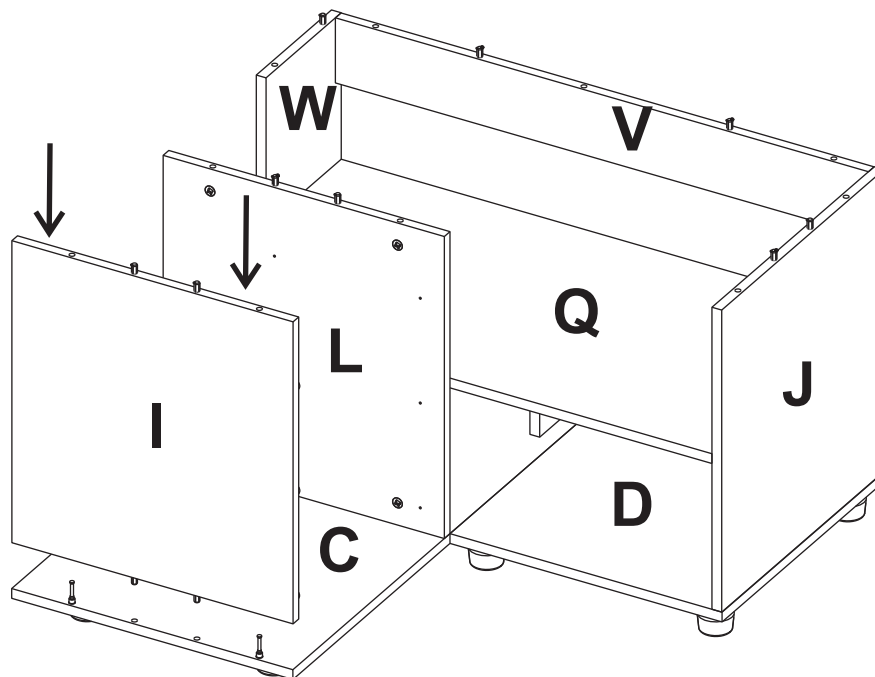
15

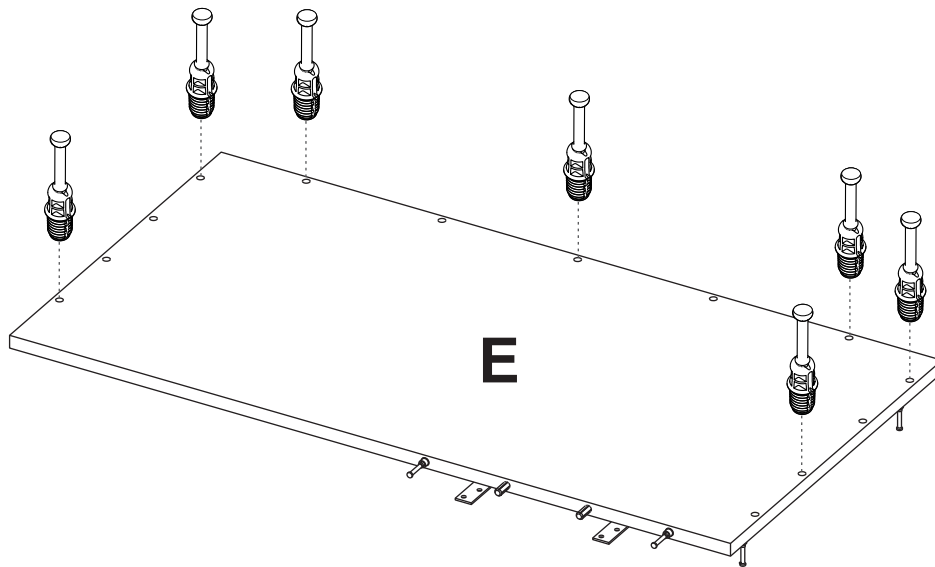
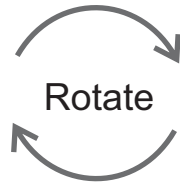
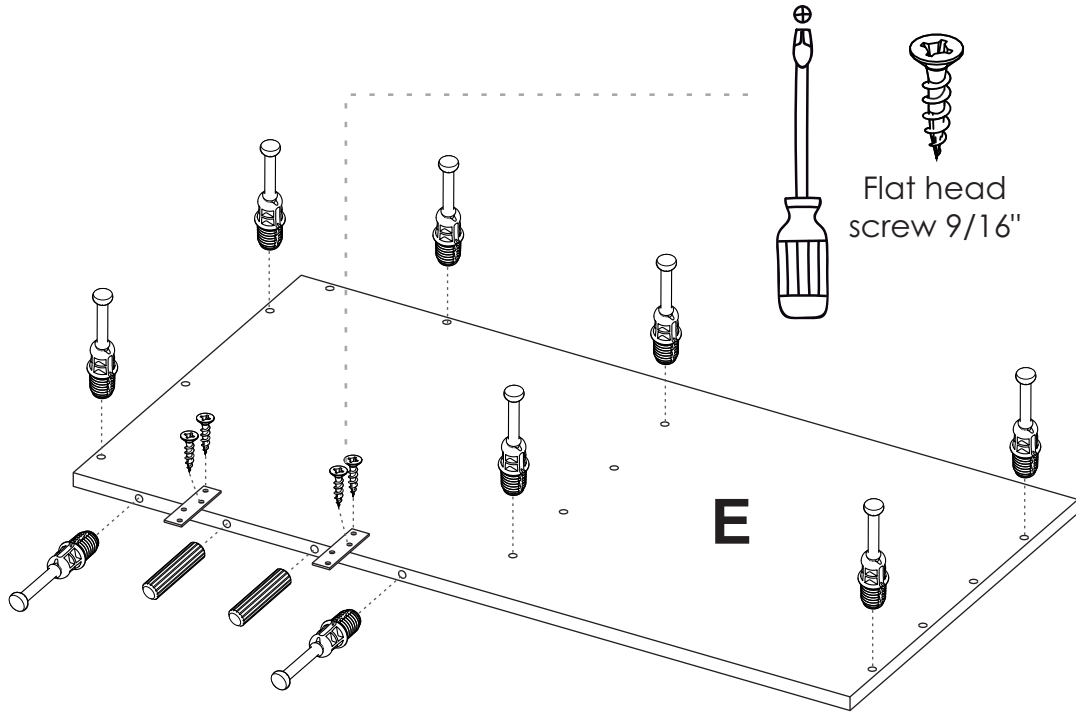


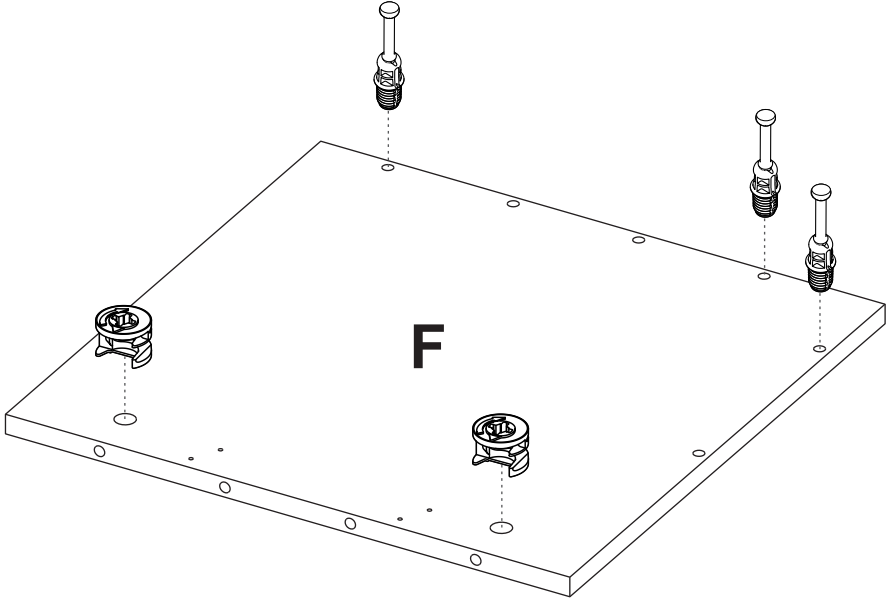
16



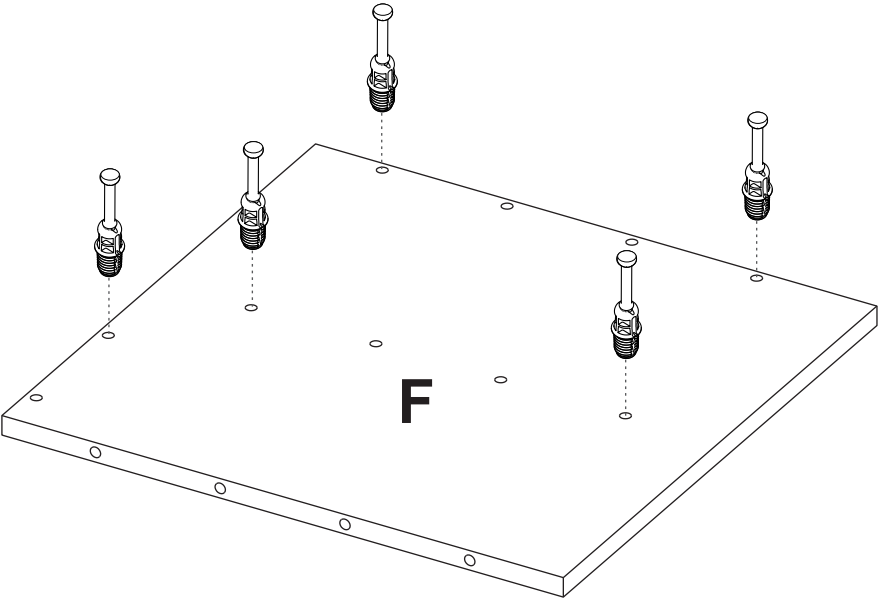
17

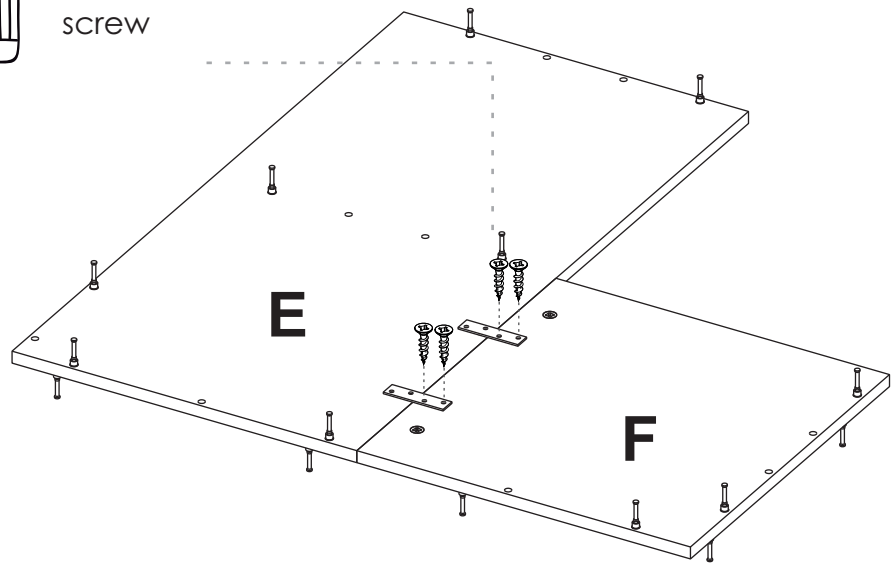
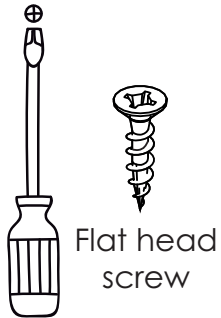
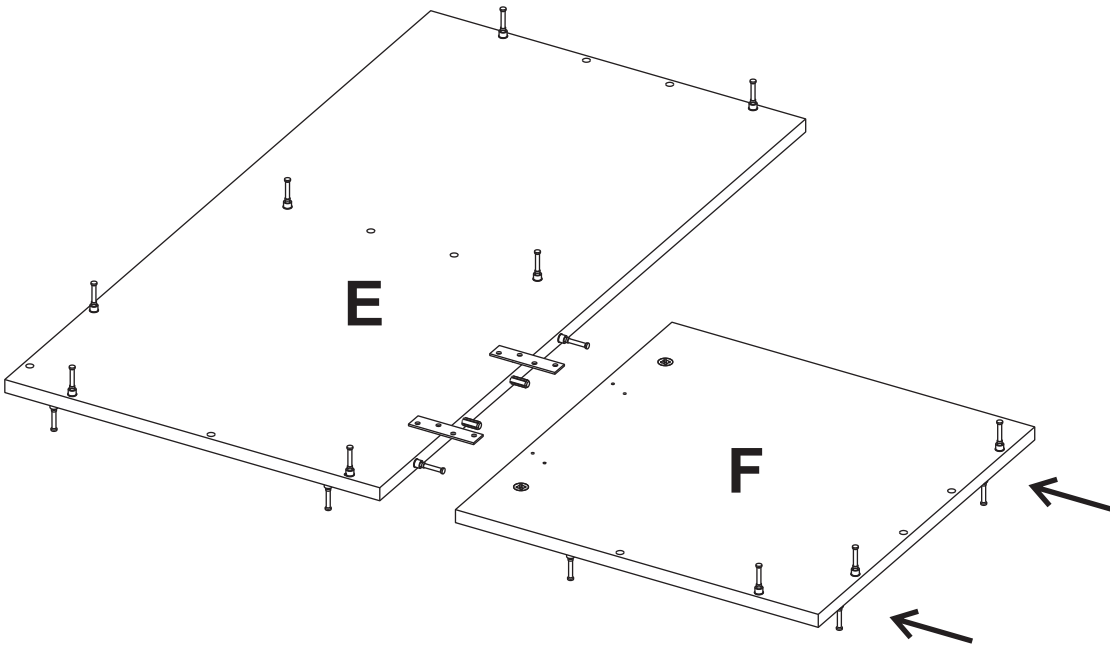




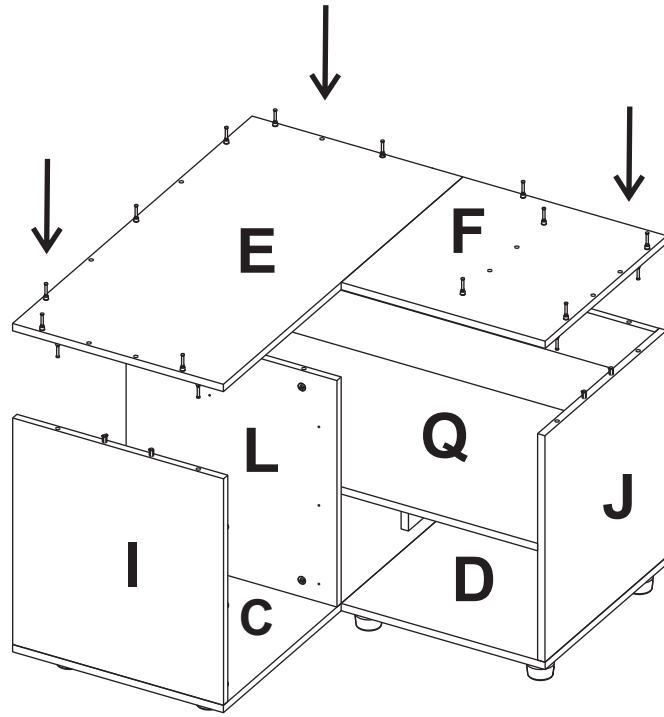


Rotate





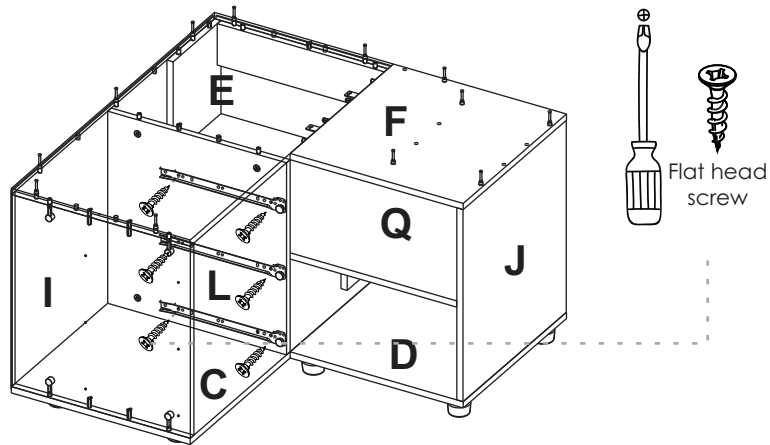
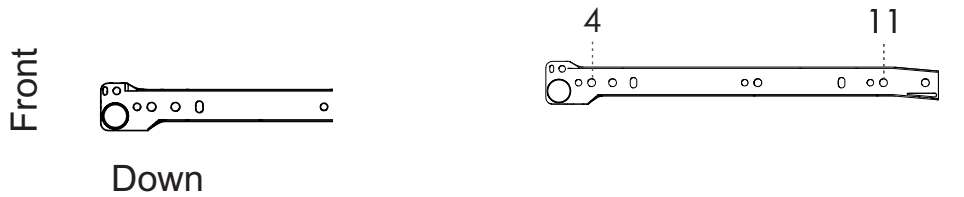
21



22

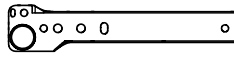
Drawer slides installation (apply for steps 22 and 23)

The wheel should go towards the front edge of the panel and facing down, like this:

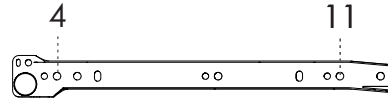


23

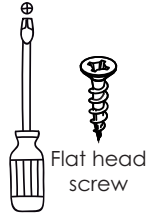
Front



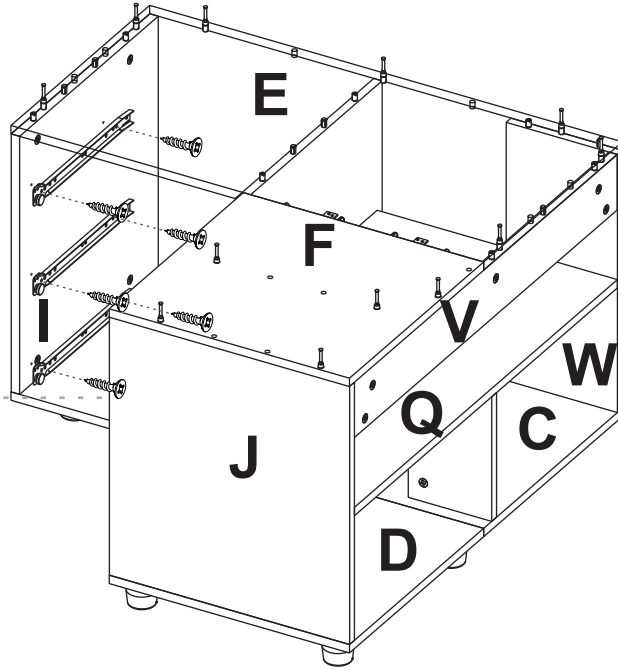
Down



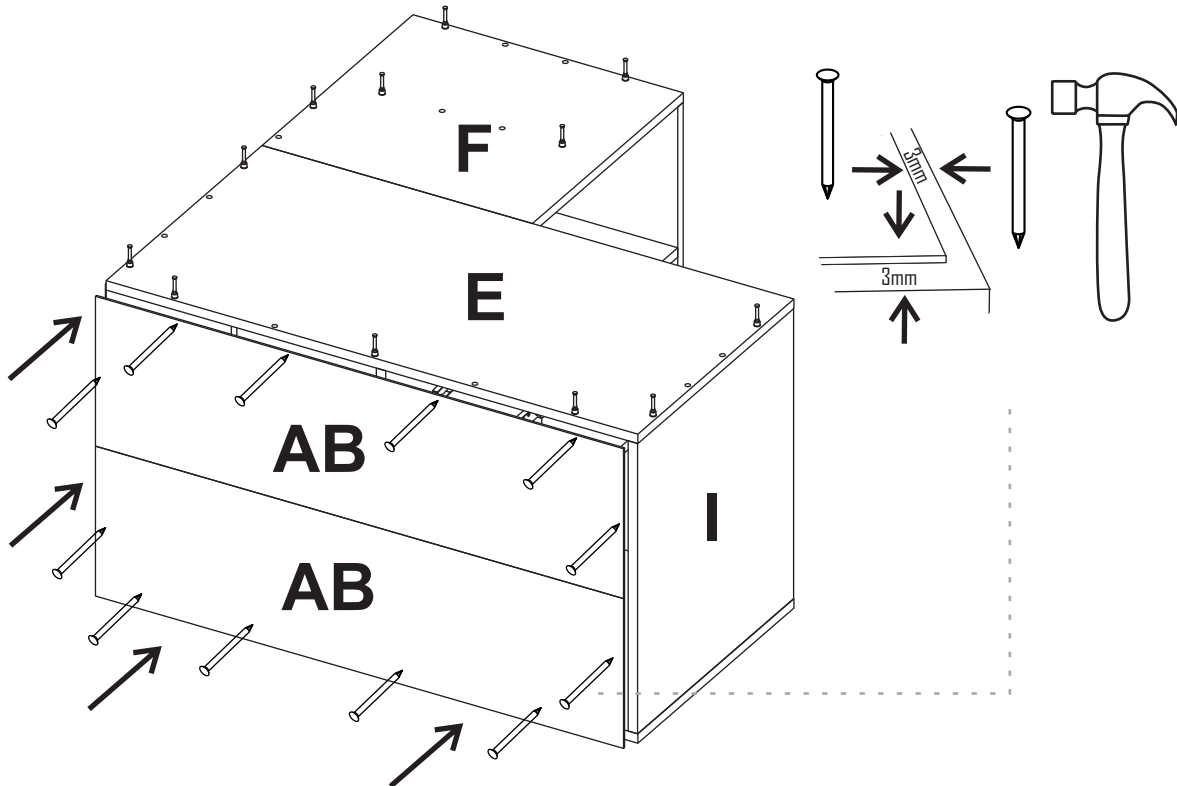
To recall the slides installation you can go to the 22 step again.



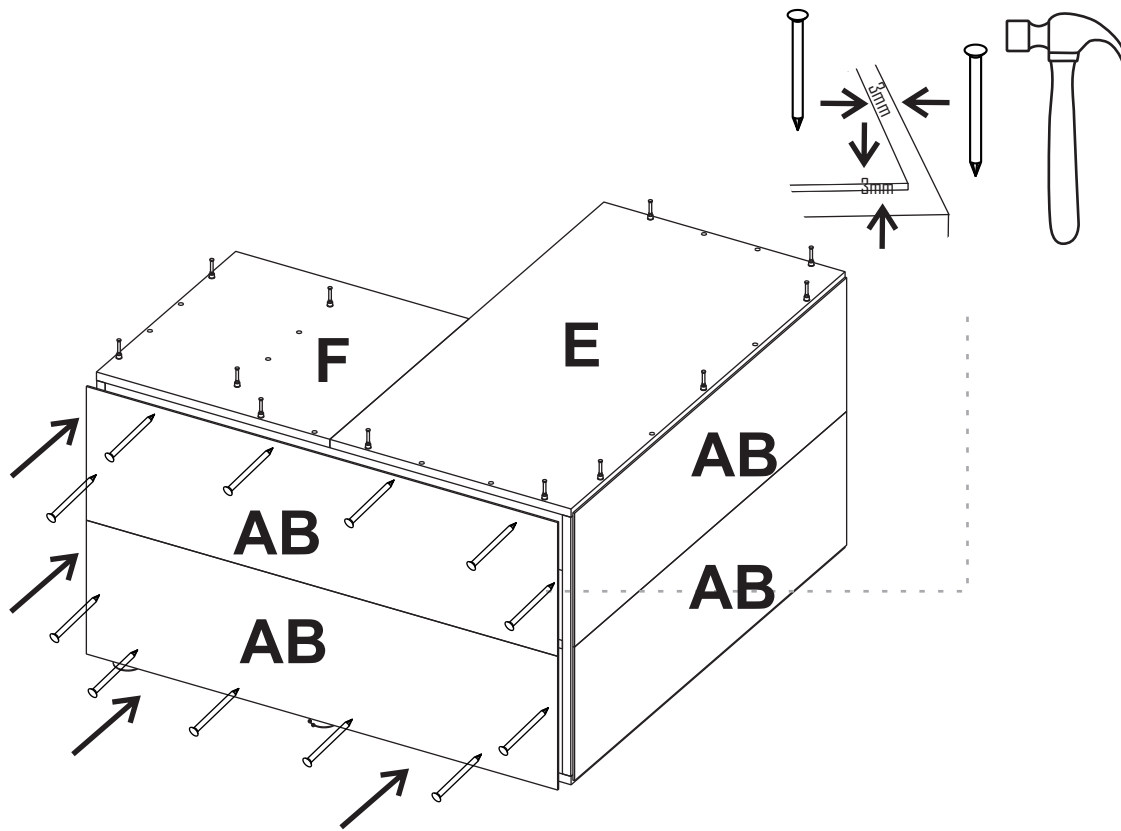
Flat head screw



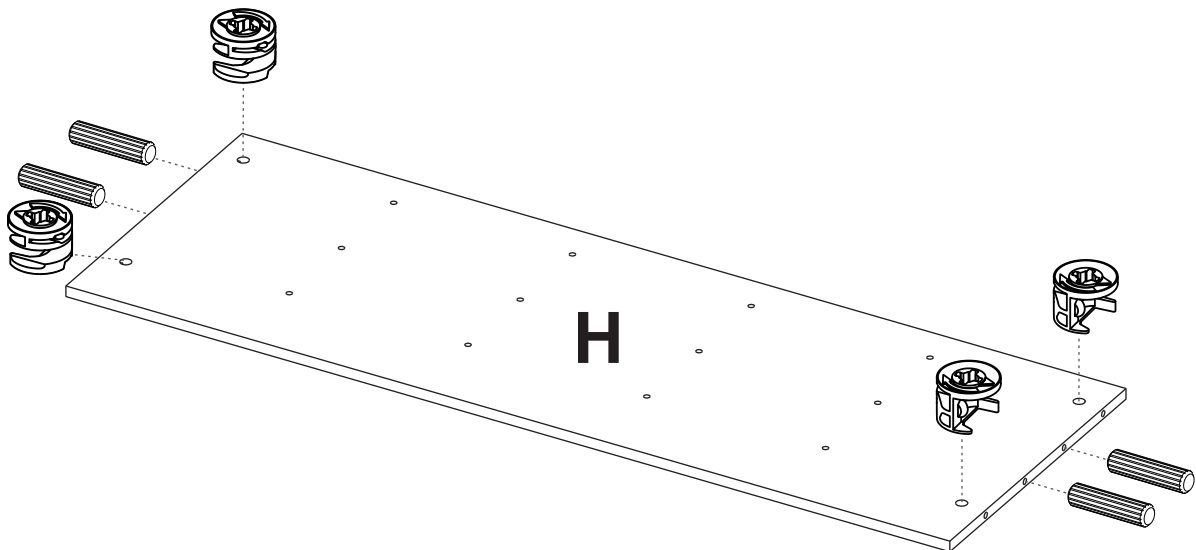
24



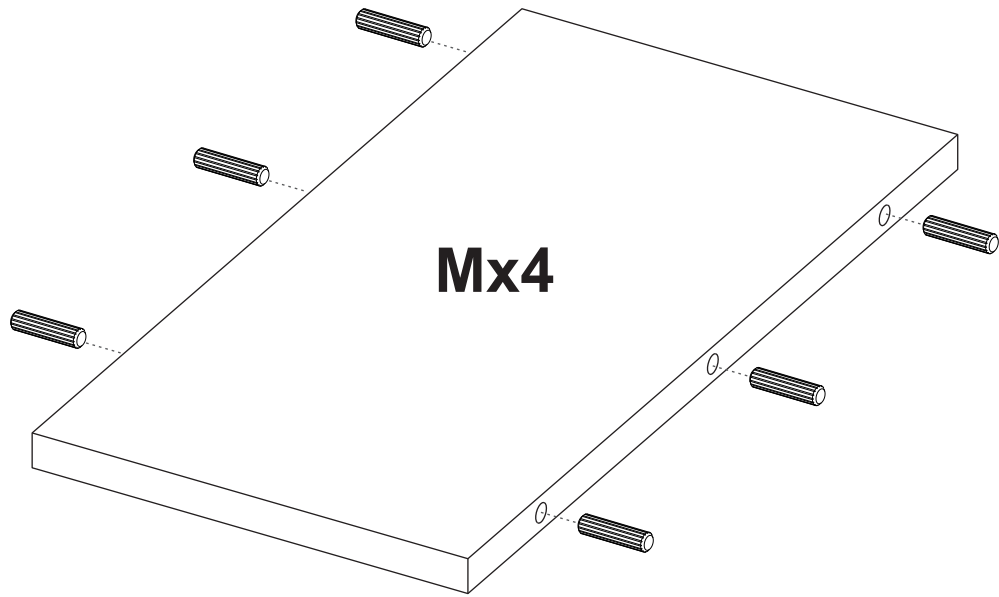
25



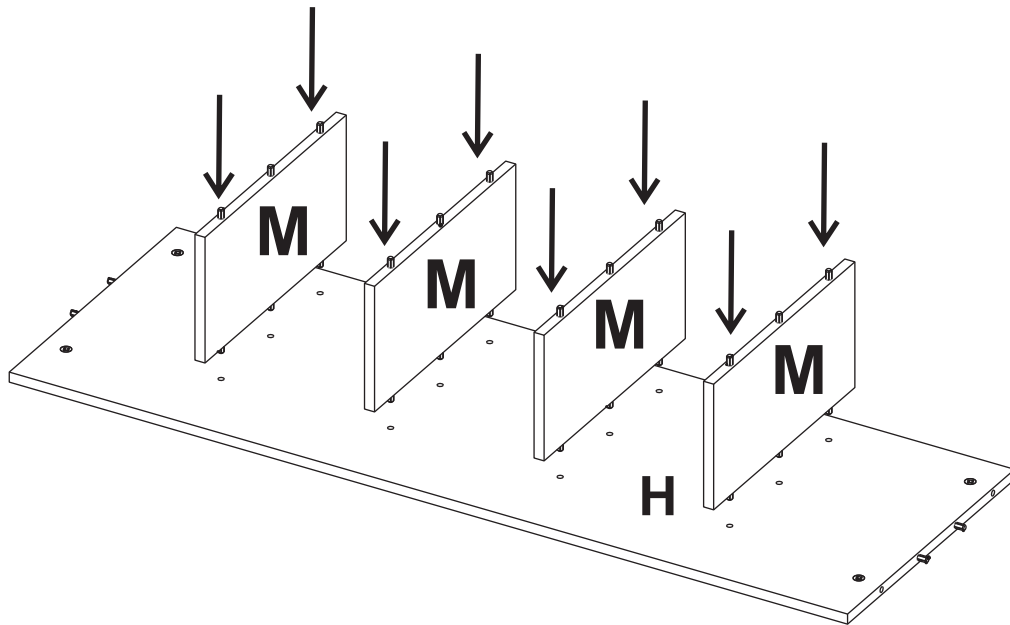
26

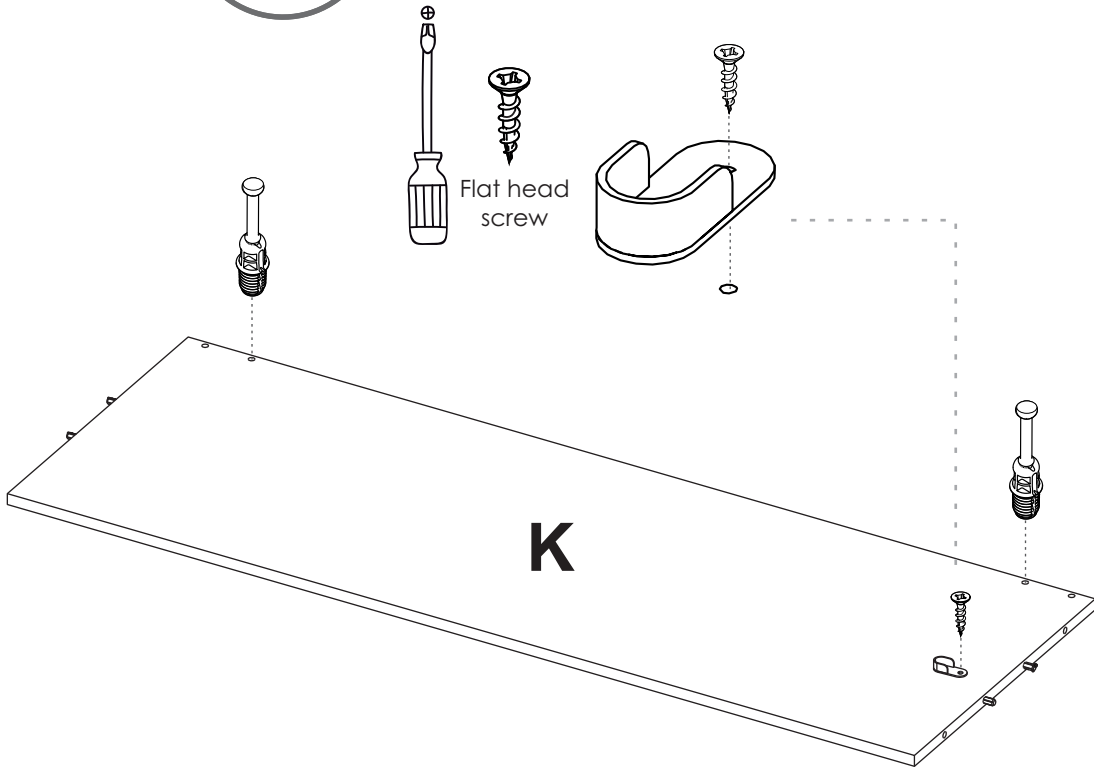
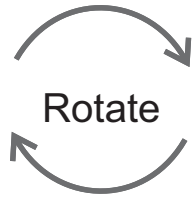
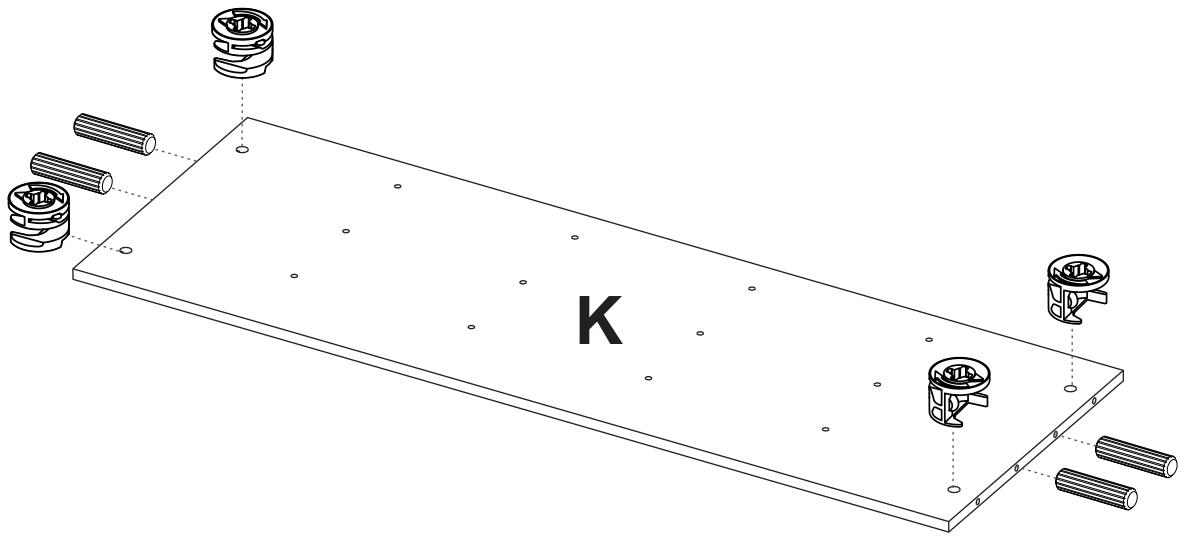


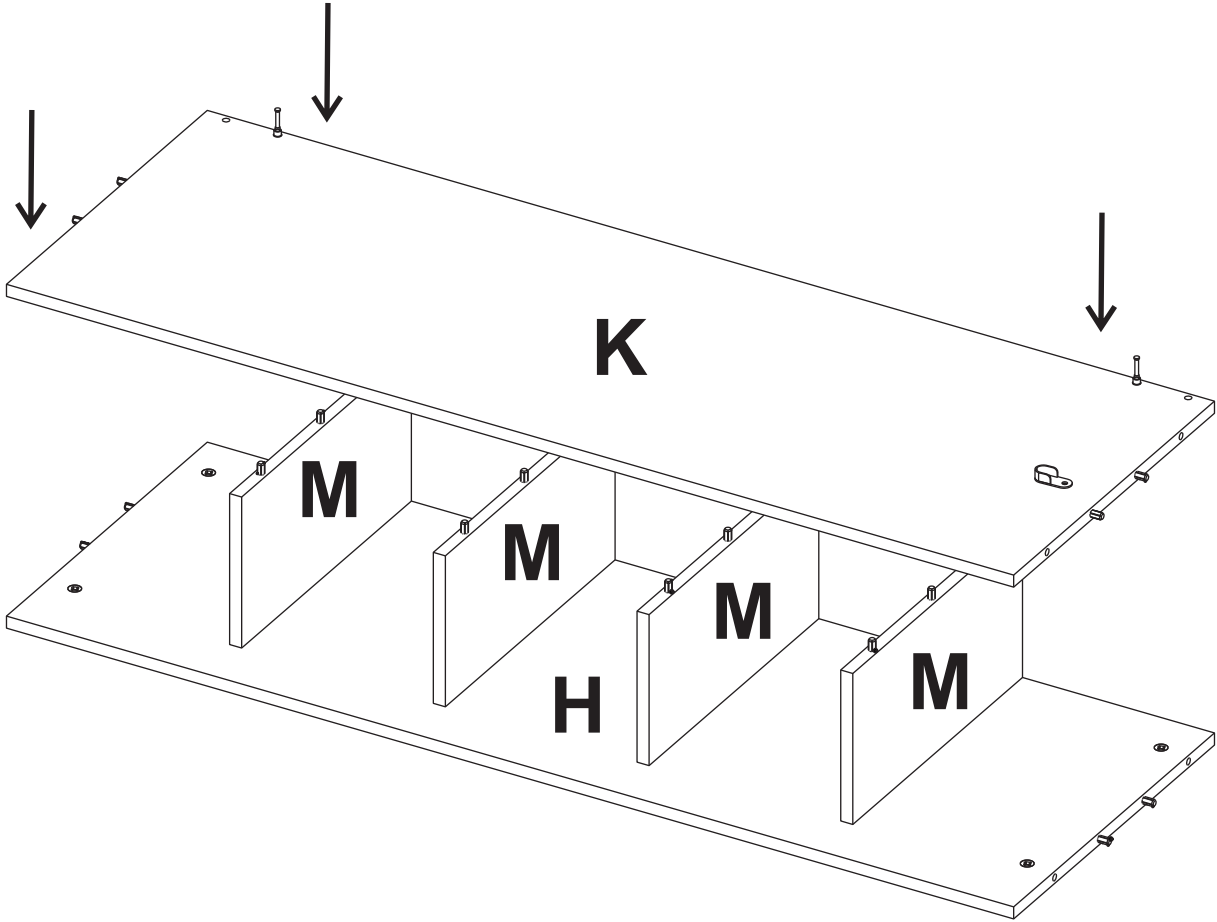
27

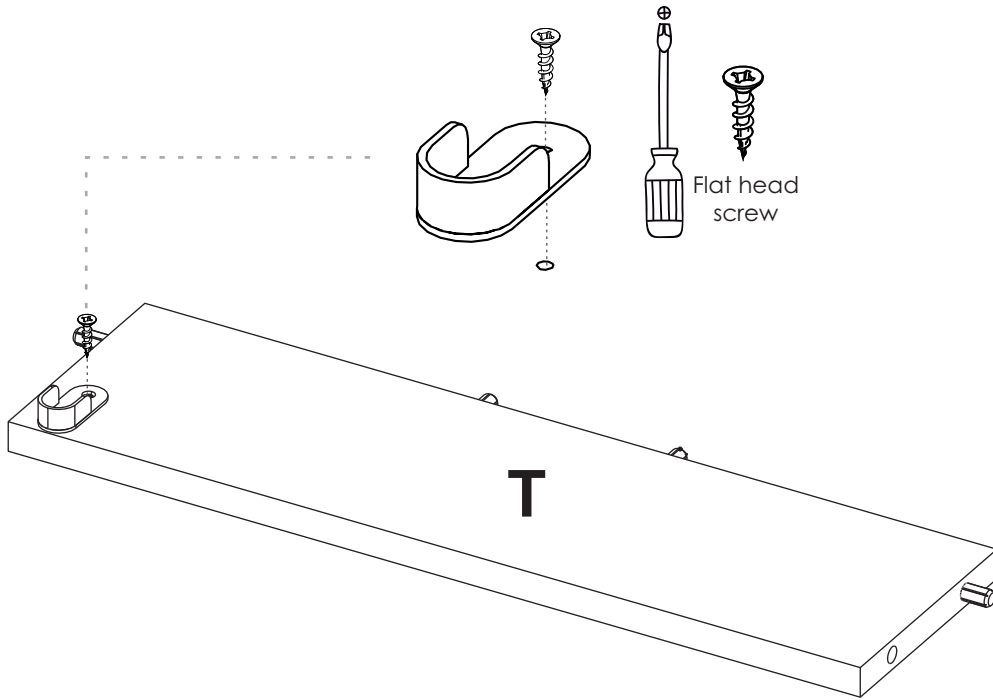
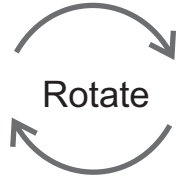
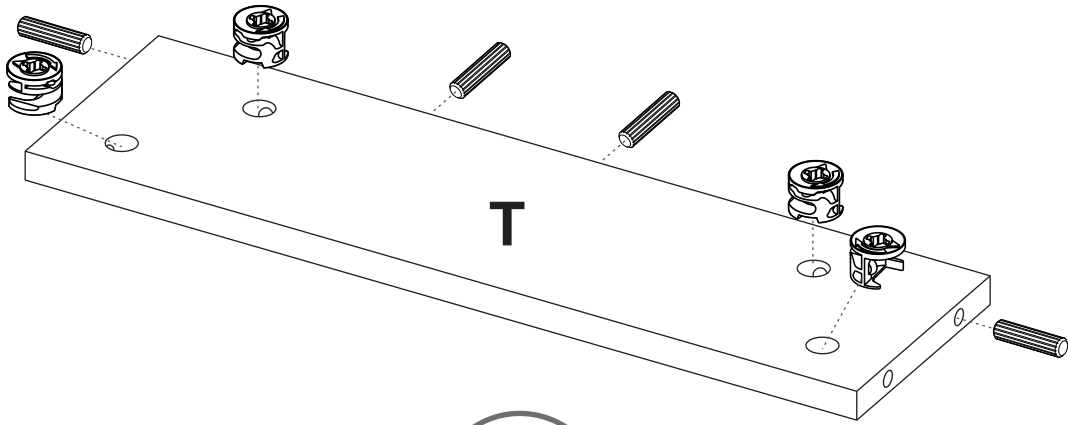


28

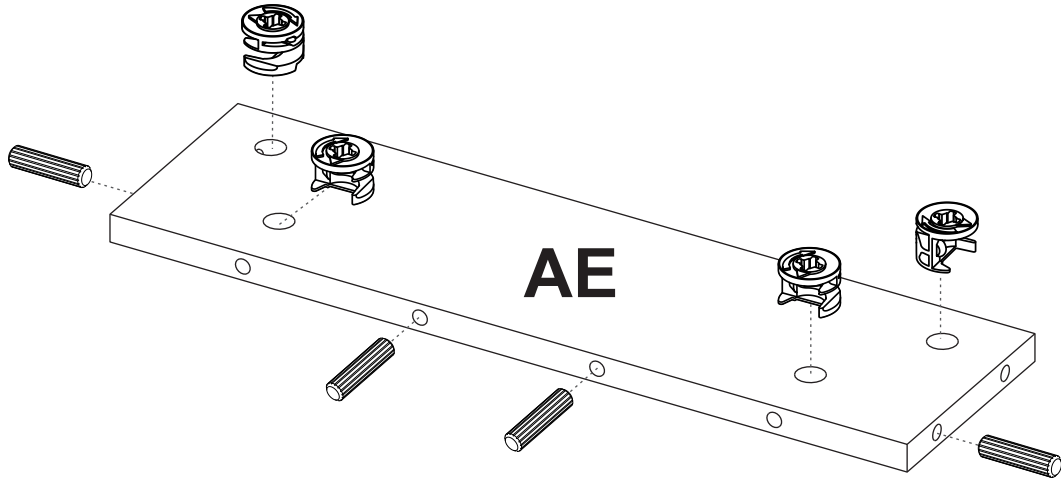




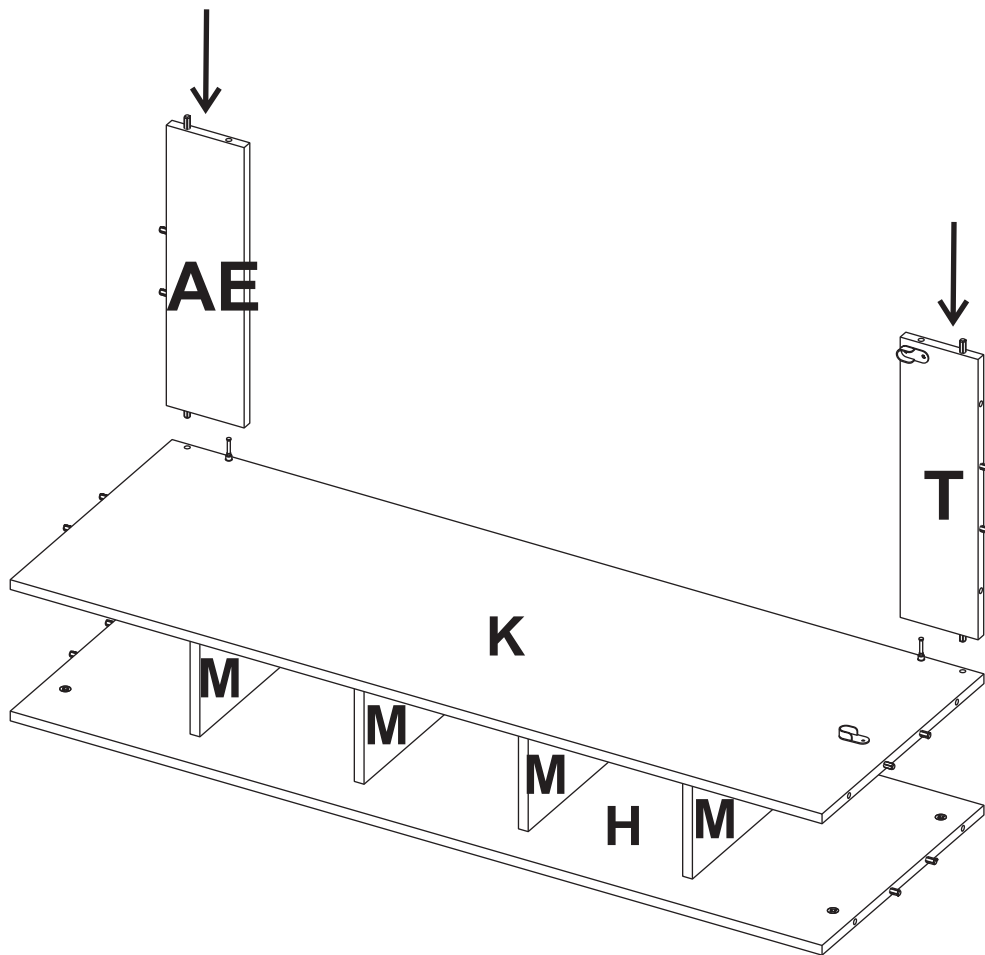




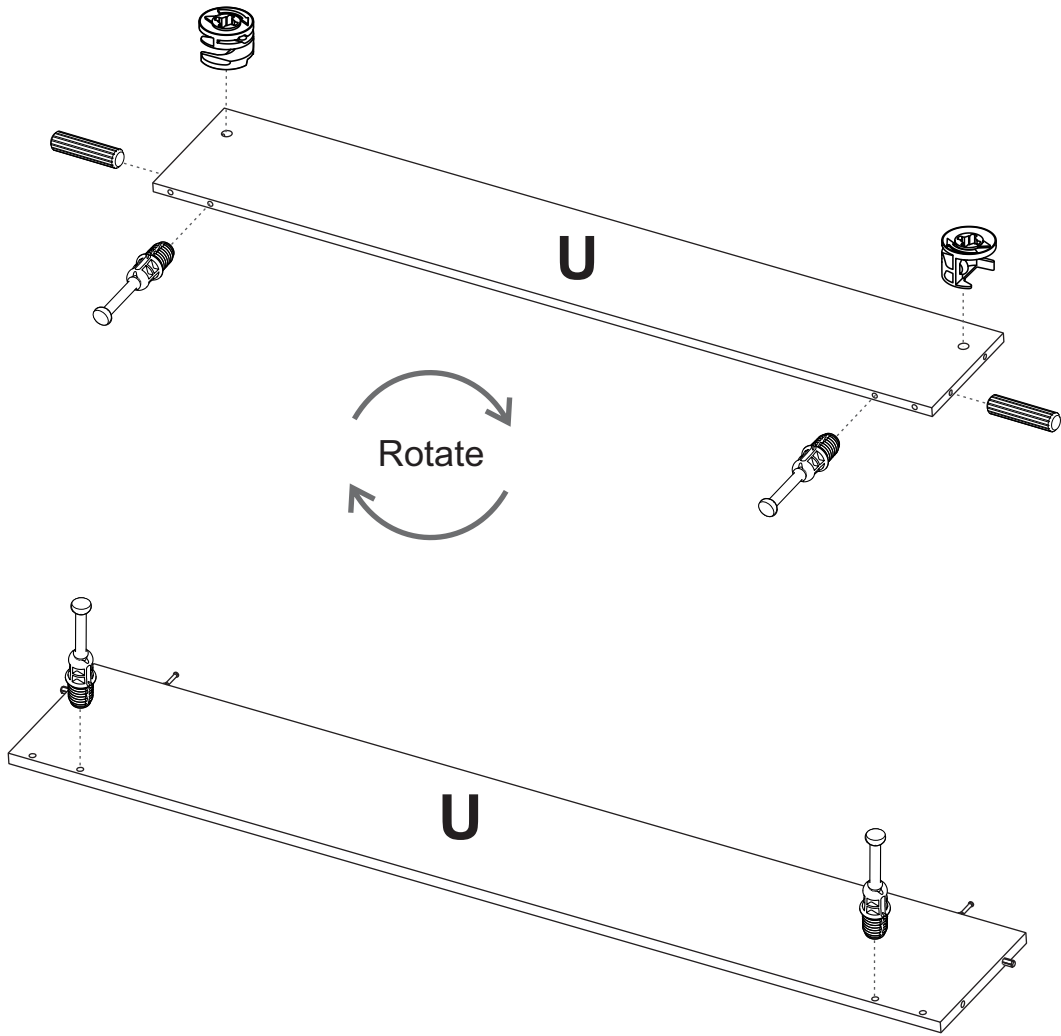
32



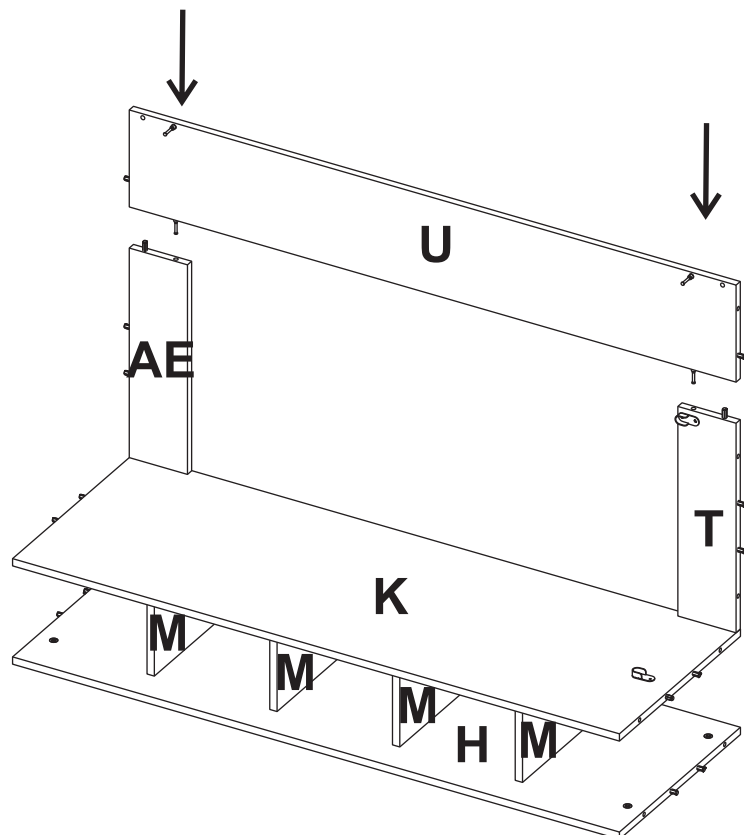
33

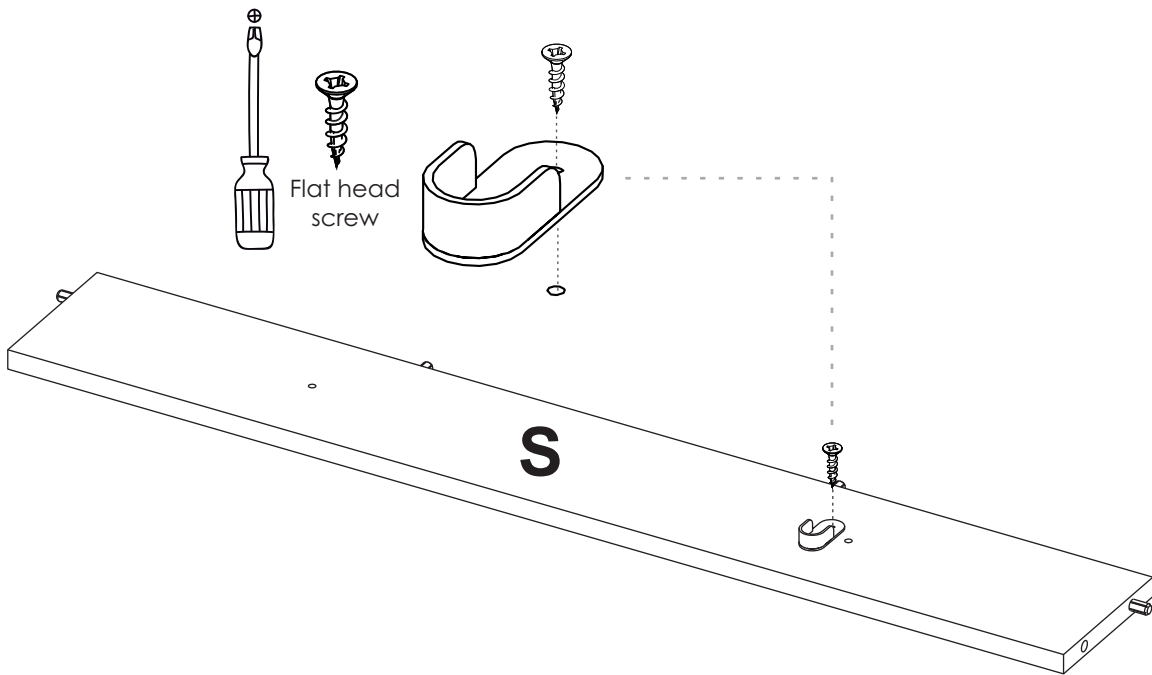
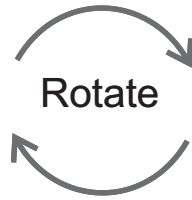
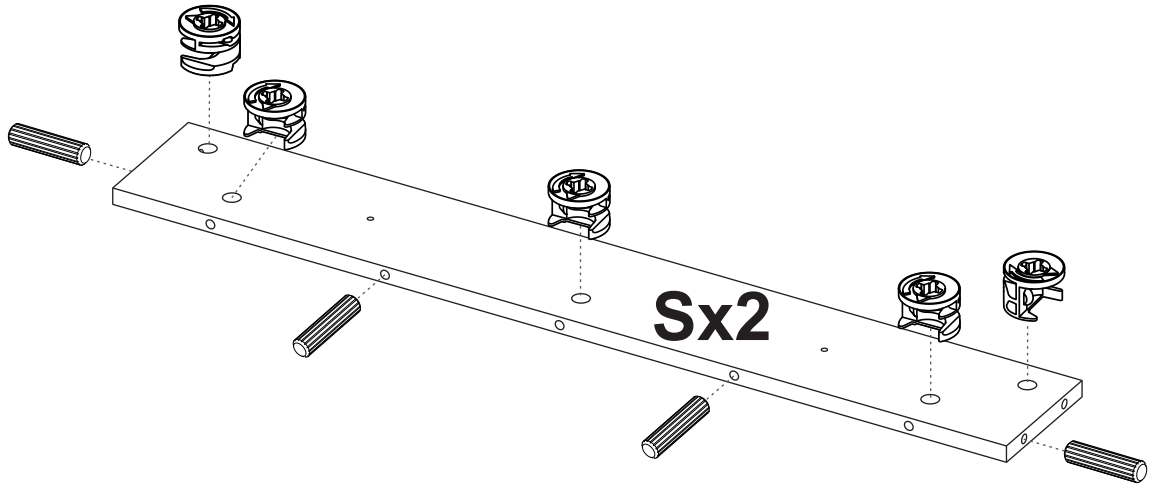


34

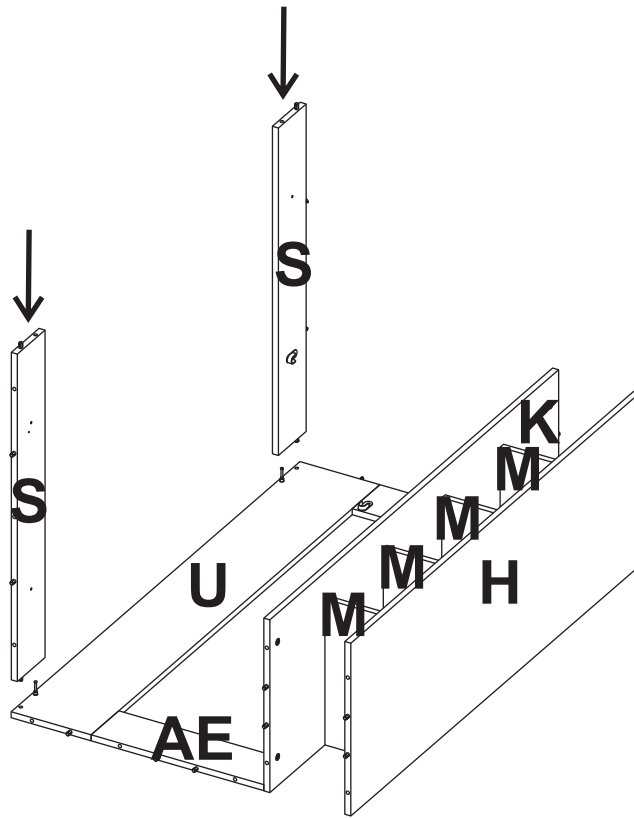


35

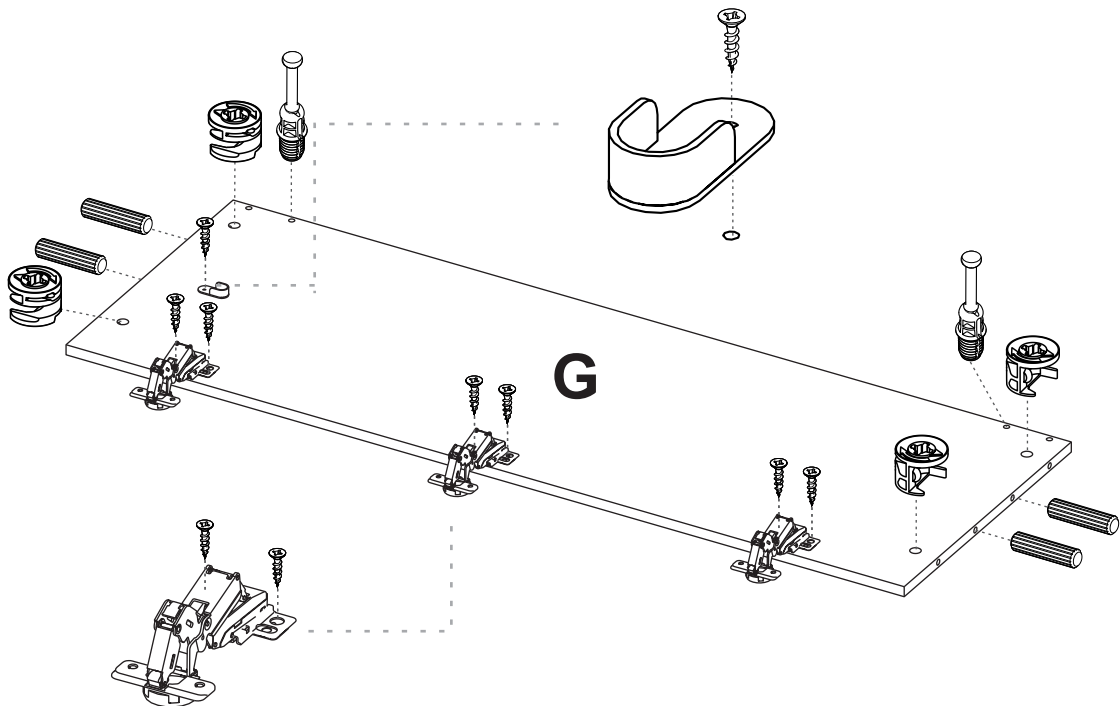




37

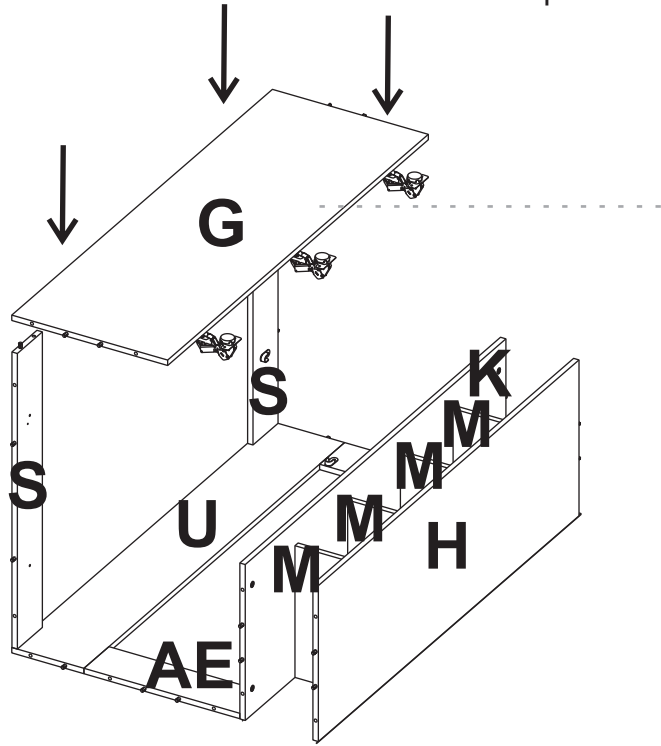


38

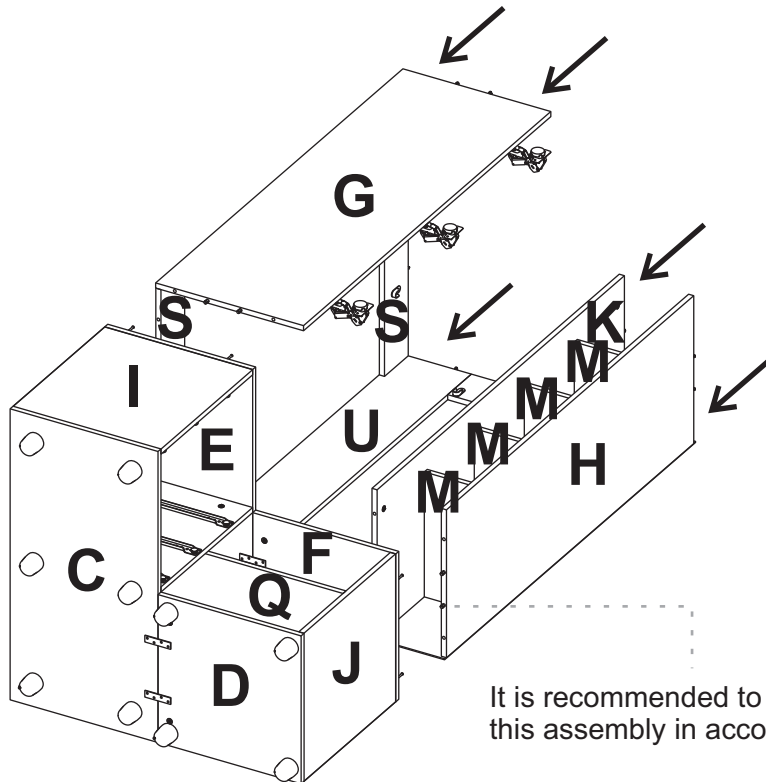


39

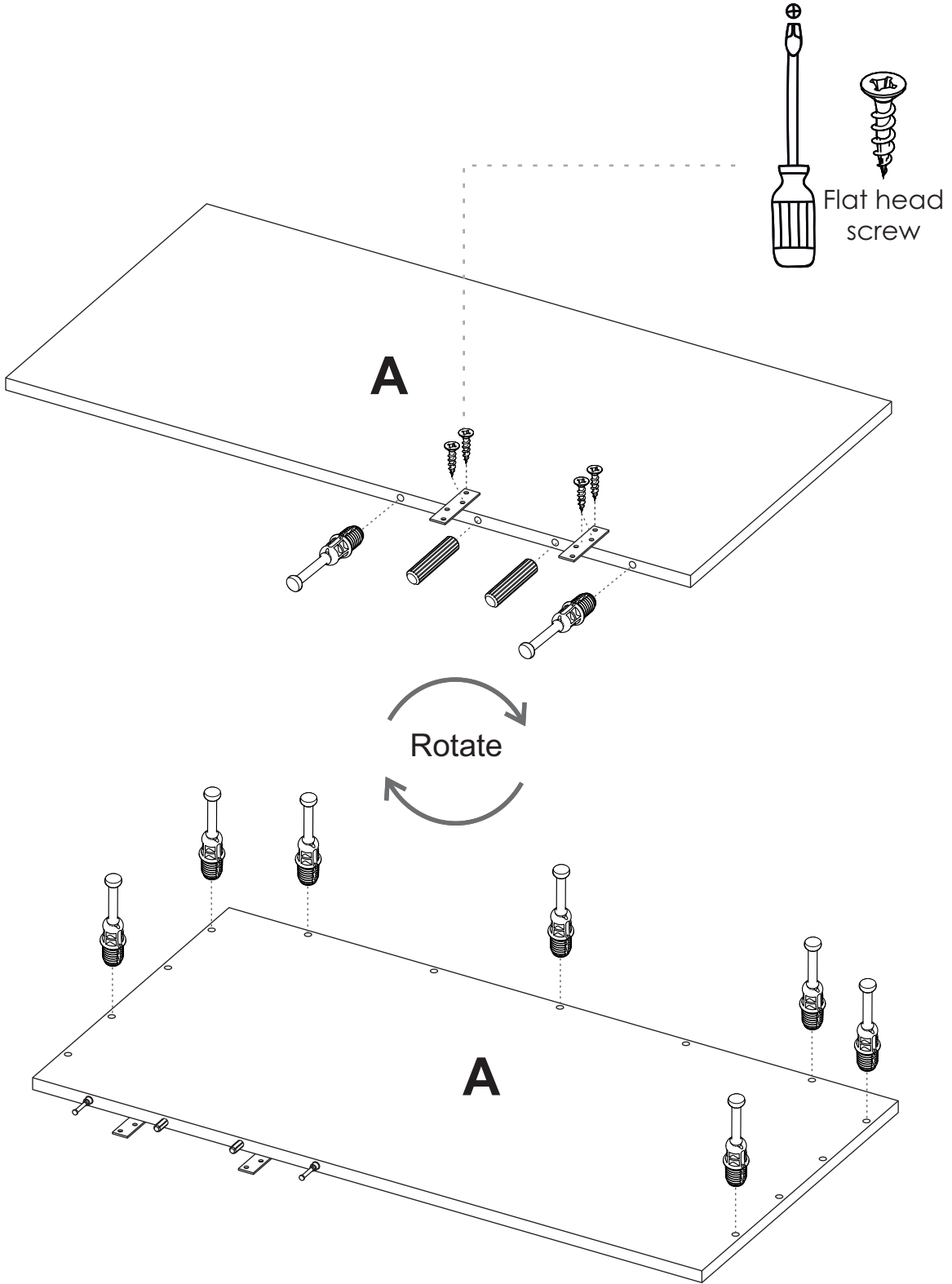
Caution in the process,
the piece has to fall down.



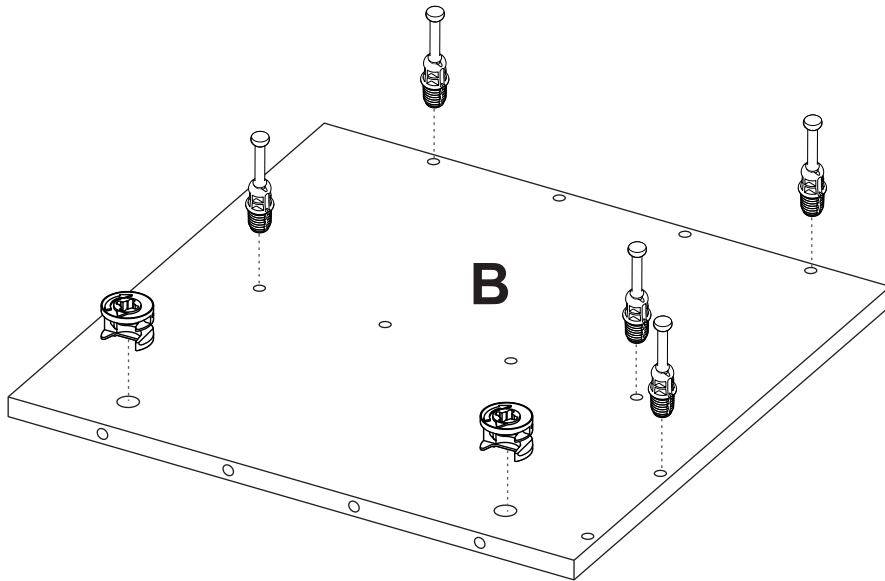
40



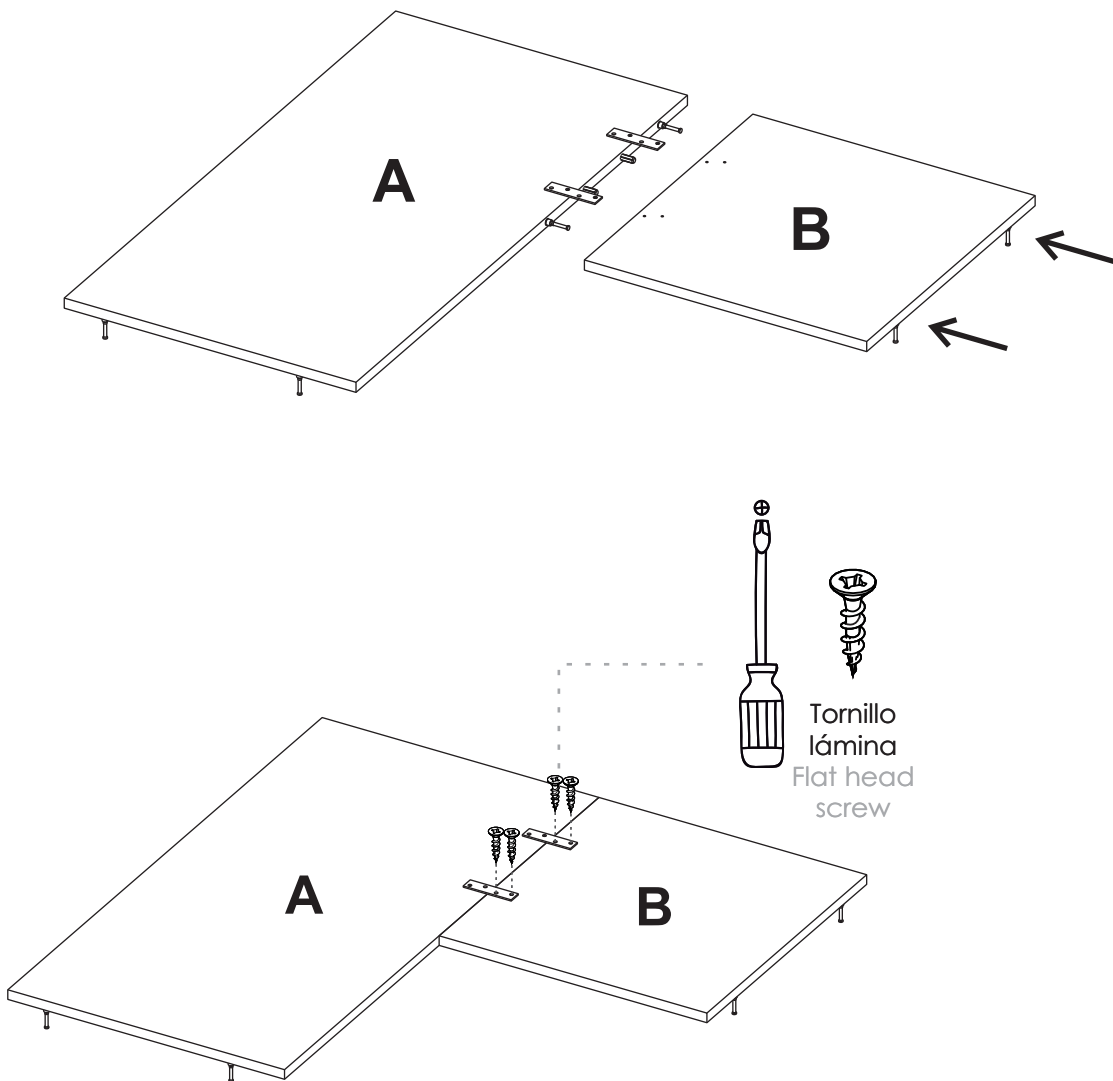
It is recommended to install
this assembly in accompaniment.



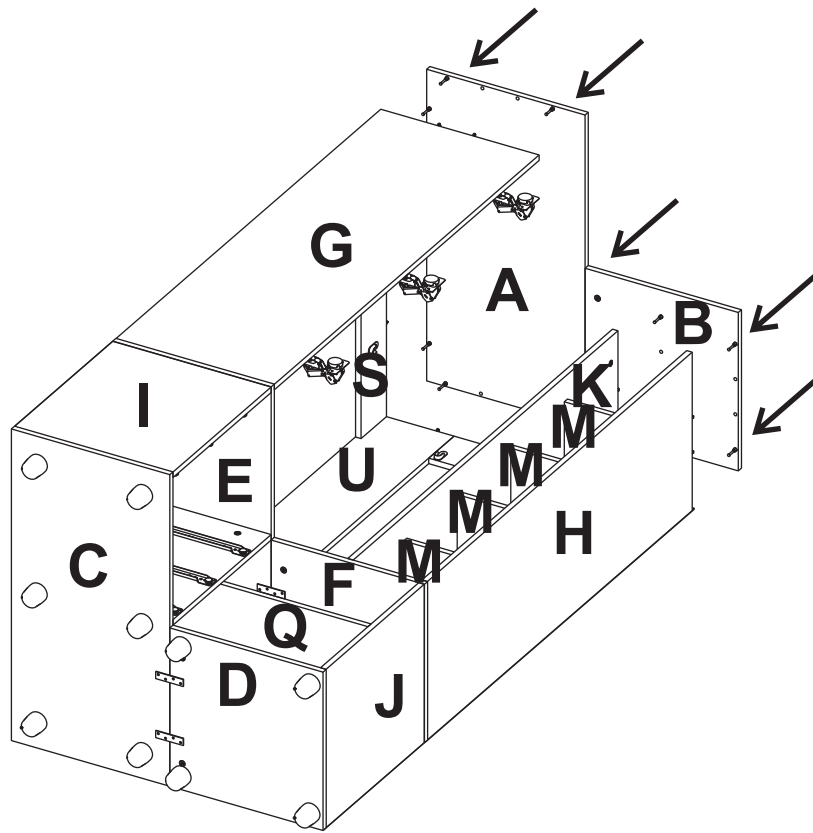
42



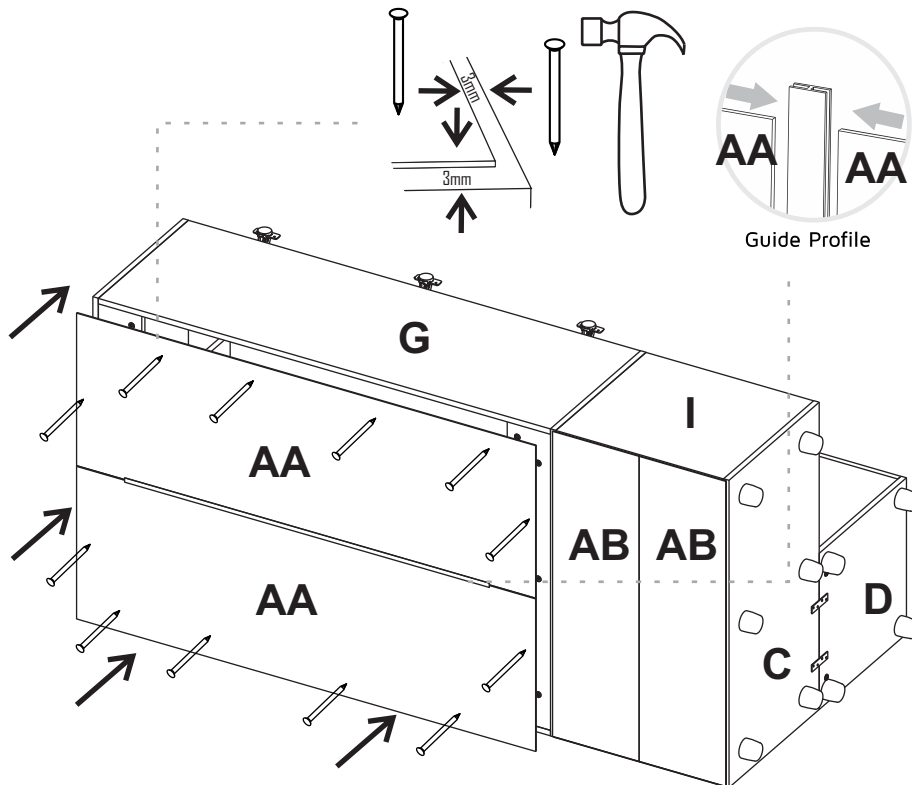
43

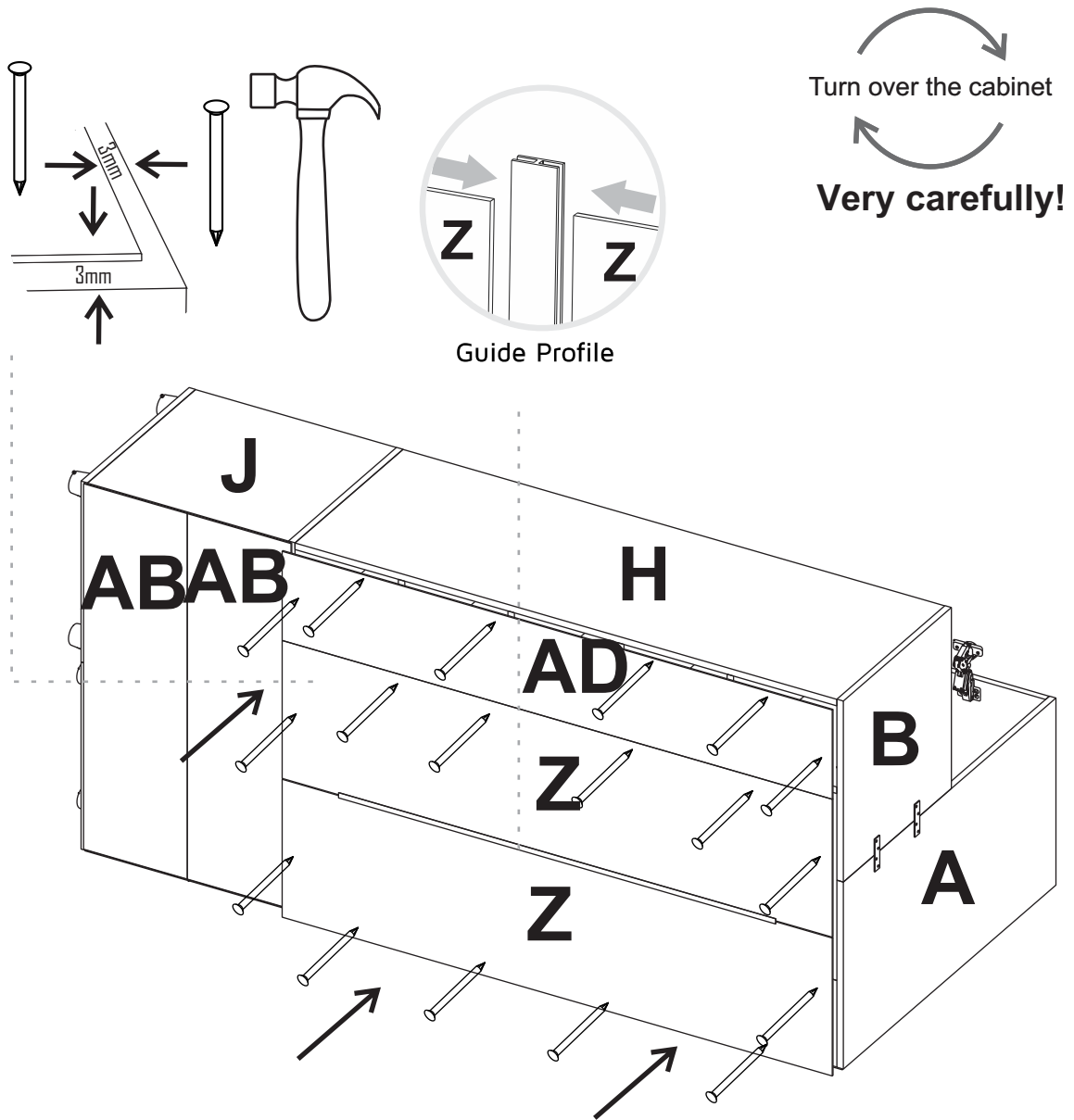


44



45





Fix your cabinet to the wall

1 You must drill the bottoms guided by the holes in the structures with a 3/16" drill bit.



2 On the wall, measure and mark the points shown below.



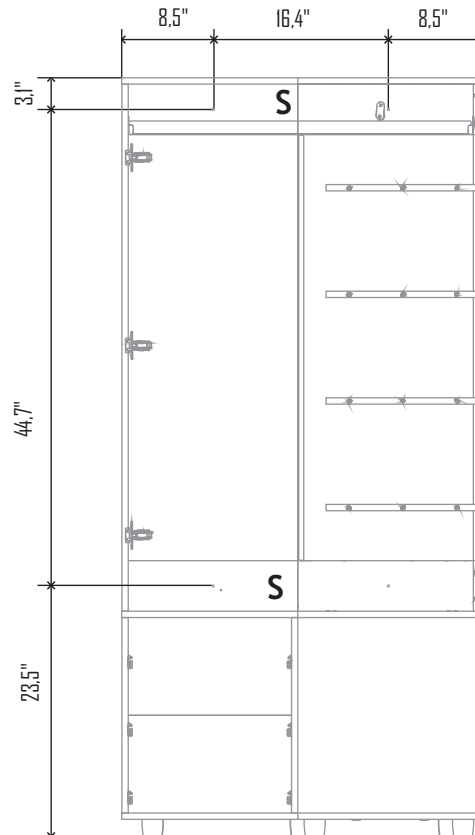
3 Drill on the markings with a 5/16" drill bit.



4 Insert the wall anchors inside the drillings.

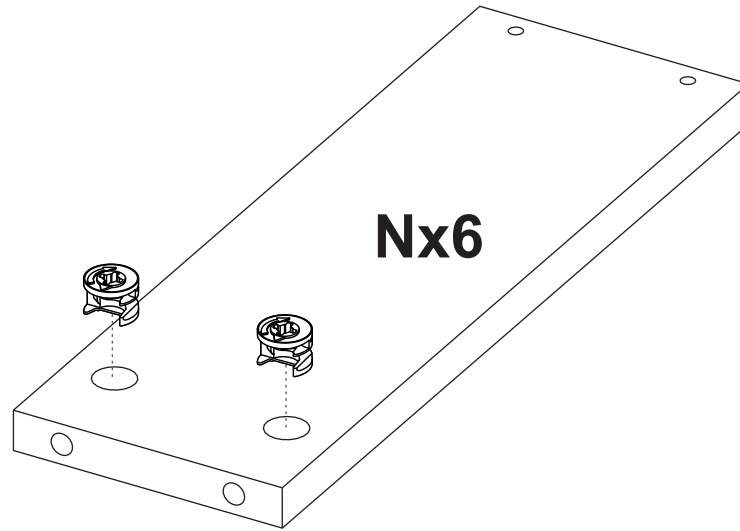


5 Place the cabinet and secure it with the screws 2"1/2.

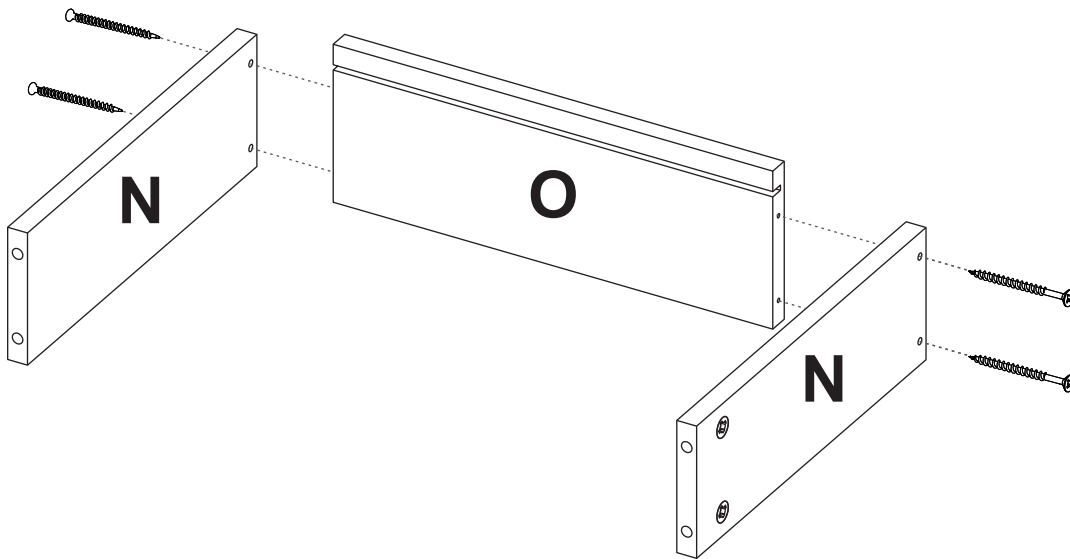


*Measurements in inches

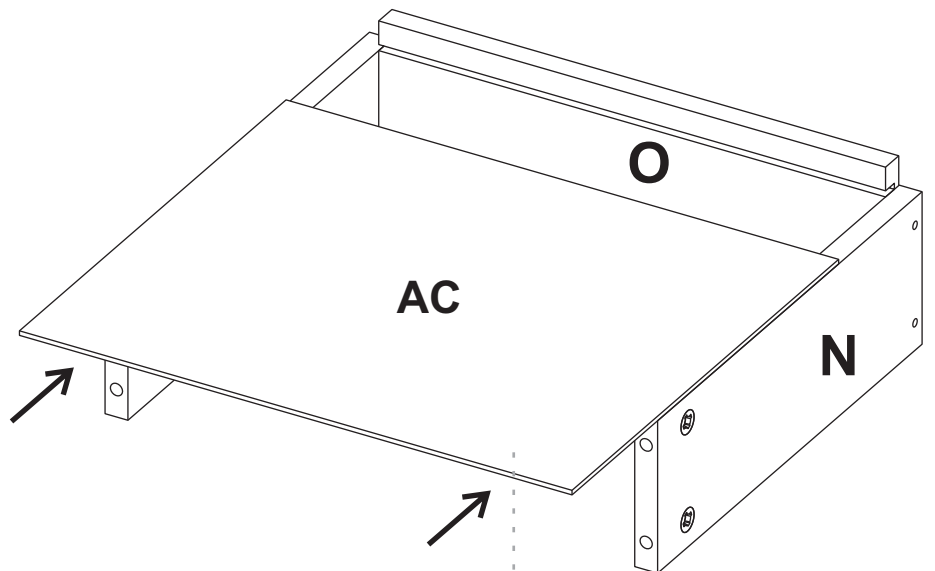
48



49 X3

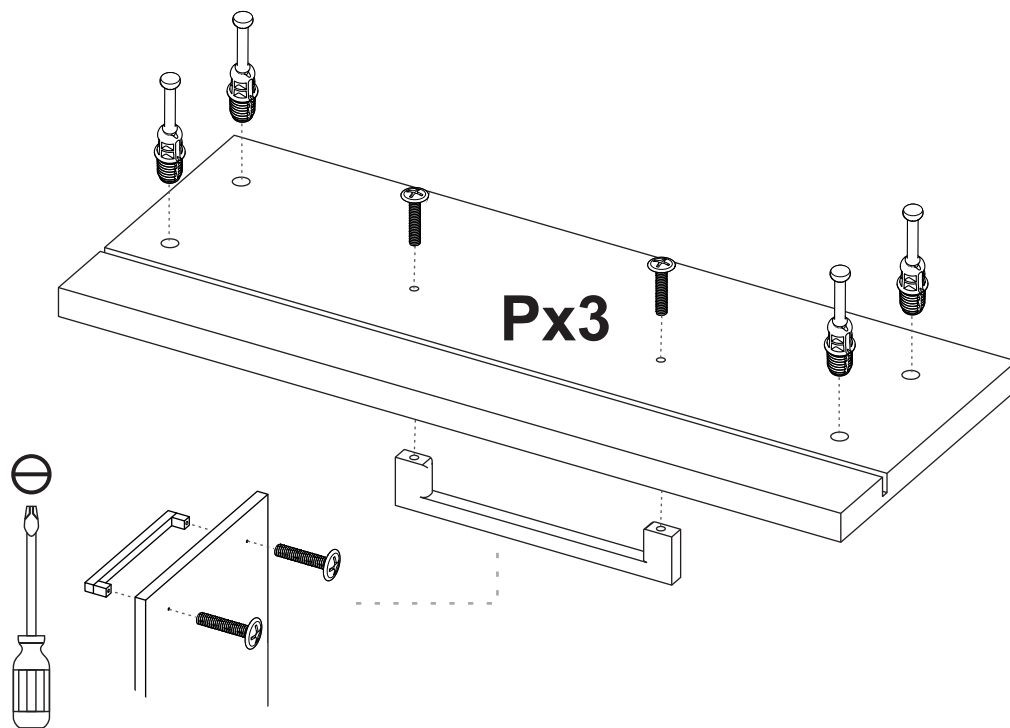


50 x3

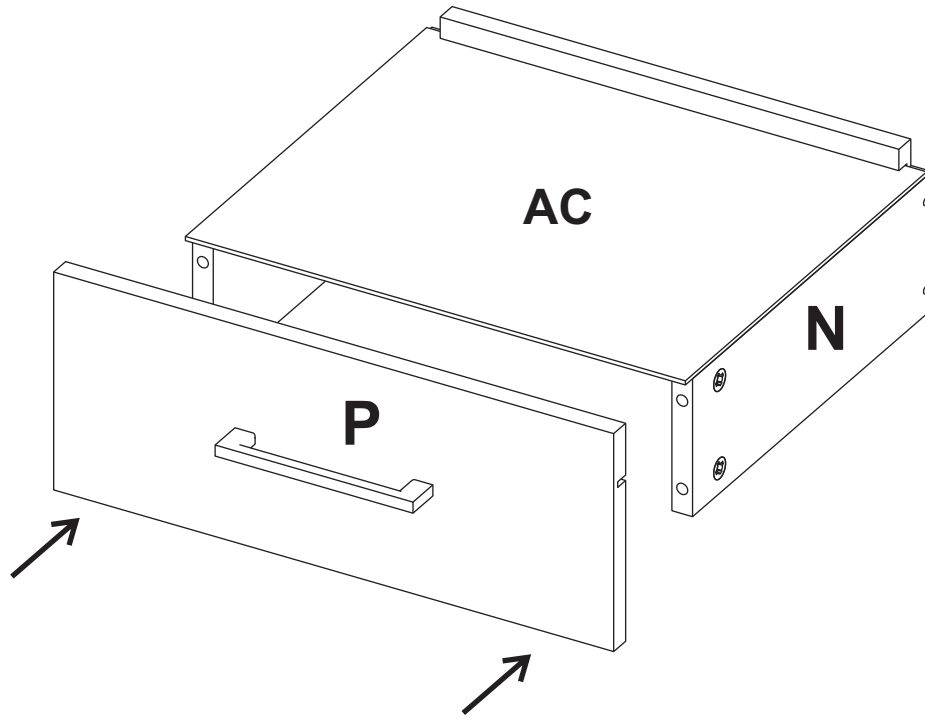


Slide the back panel
inside the grooves.

51



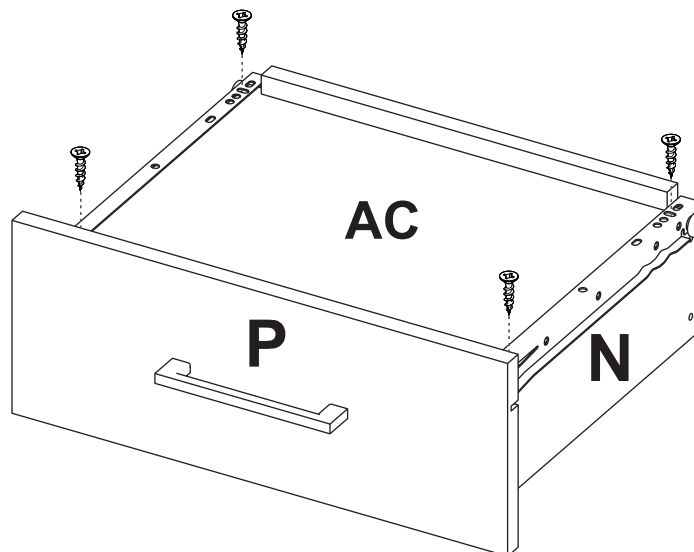
52 x3



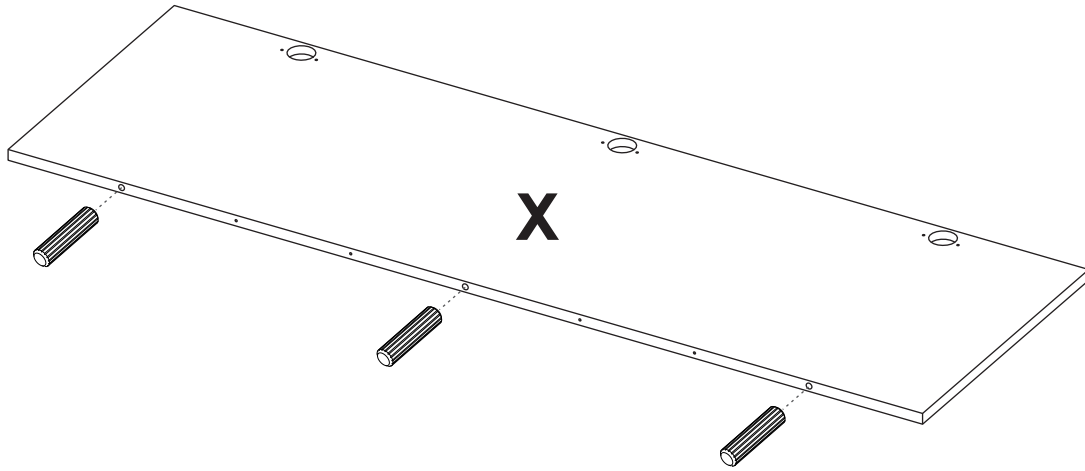
53 x3

Drawer Installation

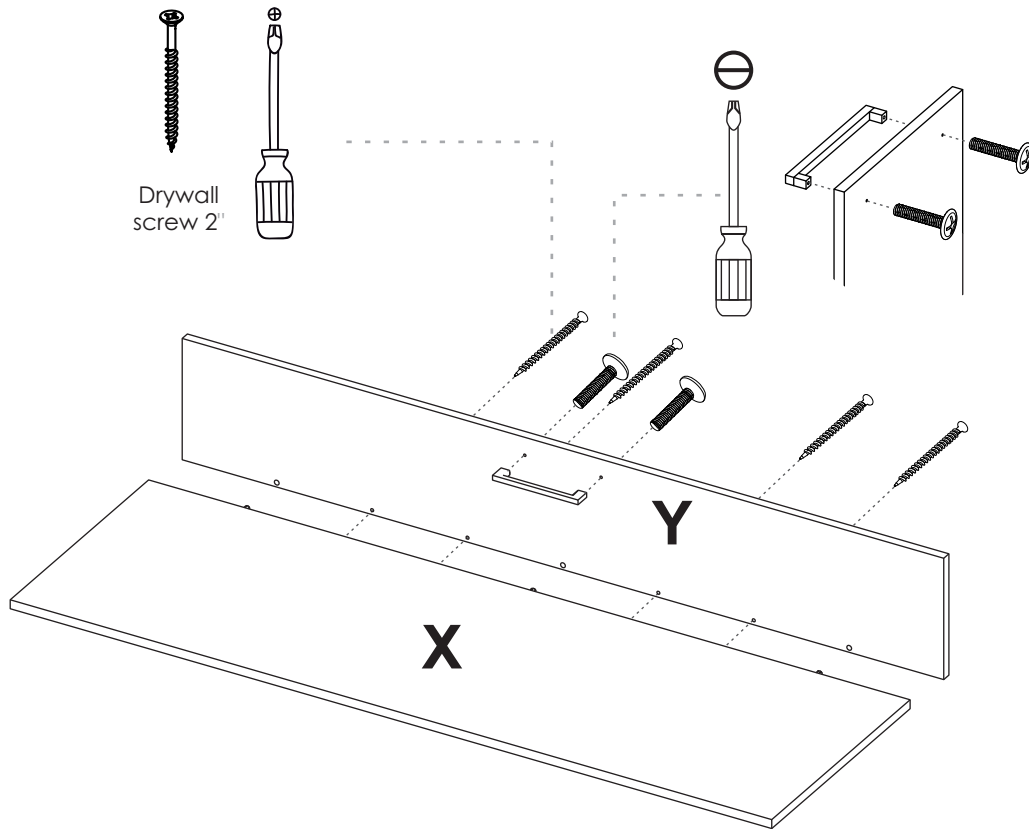
The wheel should go on the rear part of the drawer.



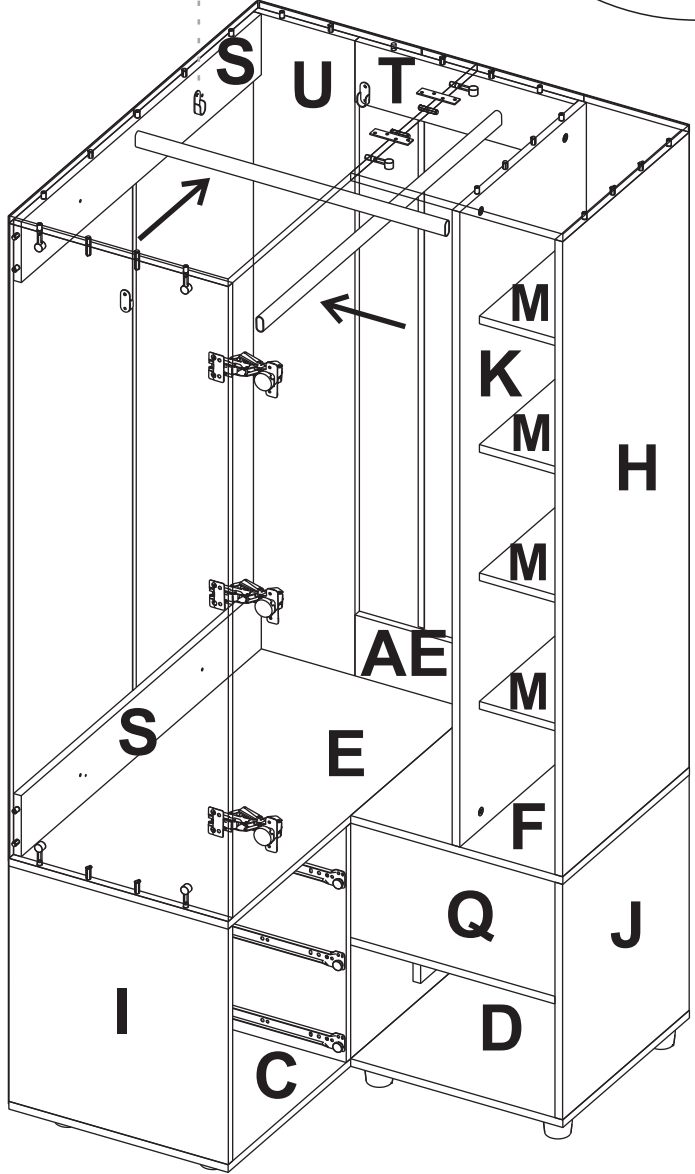
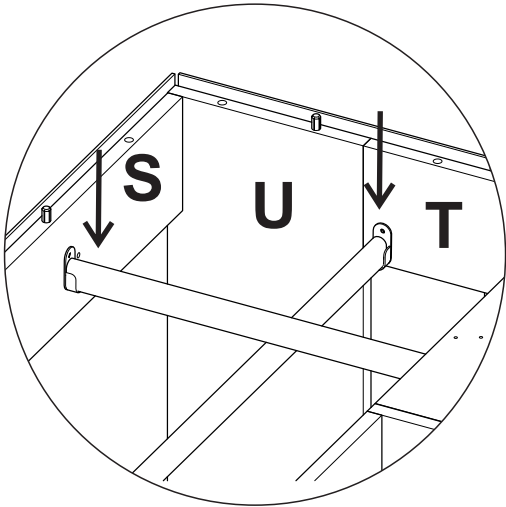
54



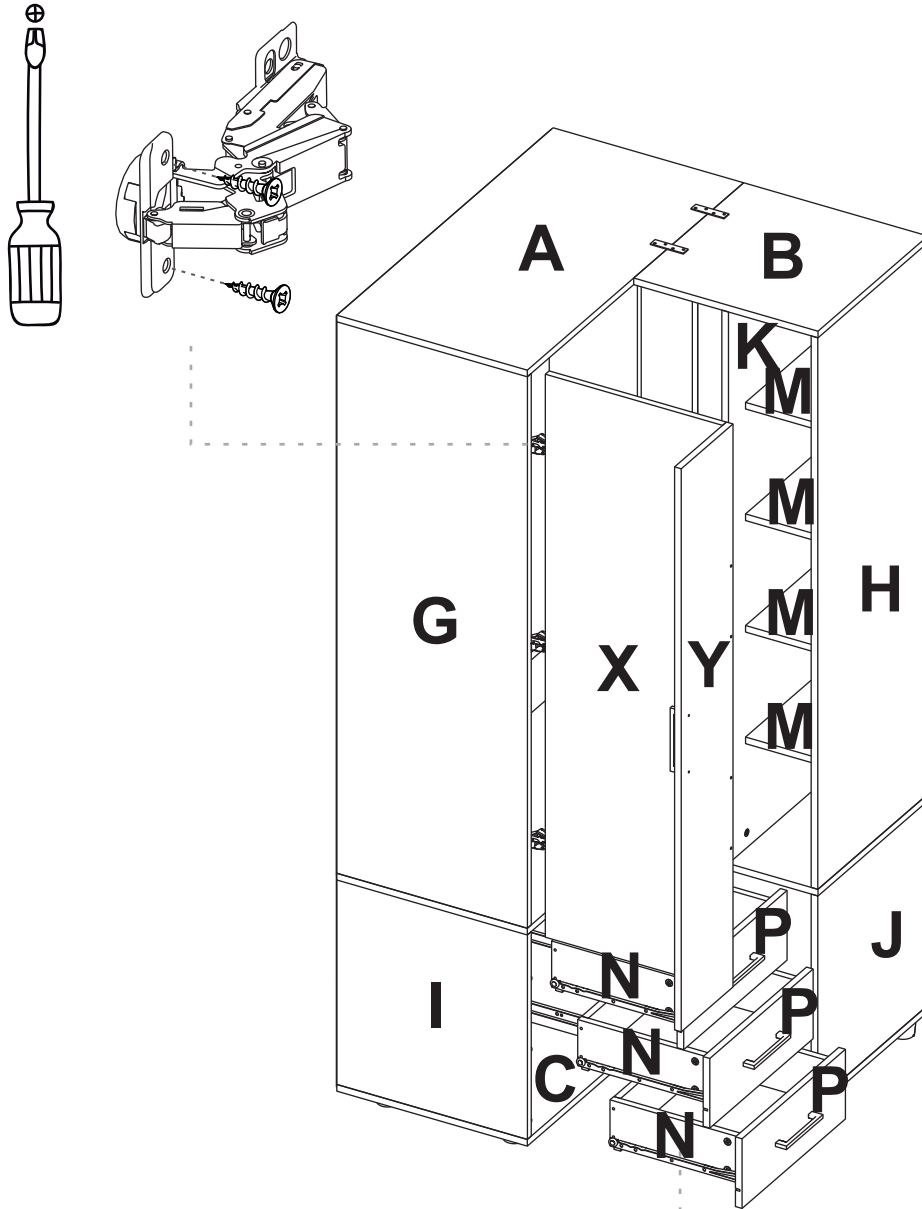
55



Insert the tubes.



Door Installation



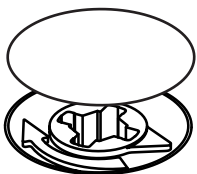
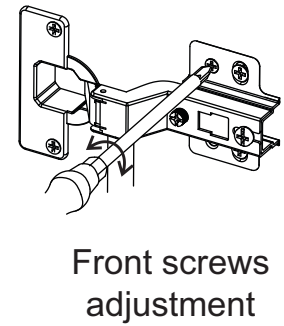
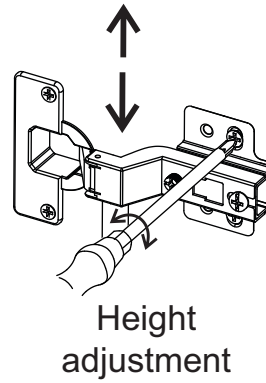
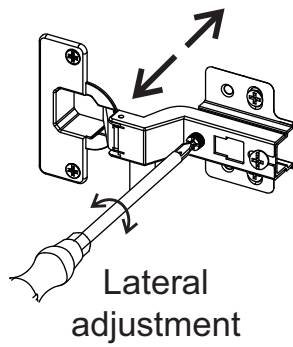
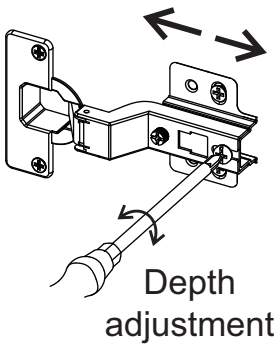
Slide the drawers
inside the cabinet.

Follow the adjustment instructions on the next page.



Hinge adjustment

Slide the drawer inside the cabinet.



After adjusting all the Minifix cams, cover them up with the cover caps.

A

After finishing the assembly, lift off all the adhesive letters.

How much weight does my cabinet resist?



**Congratulations!
It's done**

But don't go yet!

There are some recommendations left for you to take care of your cabinet correctly from now on.

SUPER IMPORTANT!

We suggest fixing the cabinet to the wall, so we can avoid the cabinet tipping and harming anyone. Be specially careful with the kids.

WARRANTY POLICY

Furniture has a 1 year warranty coverage in wooden parts and hardware pieces since its manufacturing date, which you can see in the lot number printed on the product box and the assembly instructions leaflet.

Warranty covers materials and workmanship imperfections which impair the assembly or correct functioning of the cabinet.

This warranty is not valid if the defects or imperfections are caused by the incorrect following of the assembly instructions, warnings and recommendations, misuse, intentional damage, fire or flood, or after modifications or any kind of alteration, or repaired by someone not authorized, when it's been assembled 3 months after the date of purchase. These defects **MUST** be reported before the warranty coverage period ends. Once the product has been assembled, the company will not be responsible for defective and/or damaged parts.

This warranty is **ONLY** valid for the **ORIGINAL PURCHASER**, it doesn't apply if the product has been resold, rented, etc.

Furniture will take no liability for incidental or consequential damages caused to or by the product (This may not apply in your state).

To make this warranty valid you must write to our customer service email describing the product defect, lot number and submitting your sales receipt or proof of purchase, or contact us at our customer service line. Replaced parts will be under the product's original warranty coverage period. Damaged parts will become property of the company.

There are no other warranties applicable to this product.