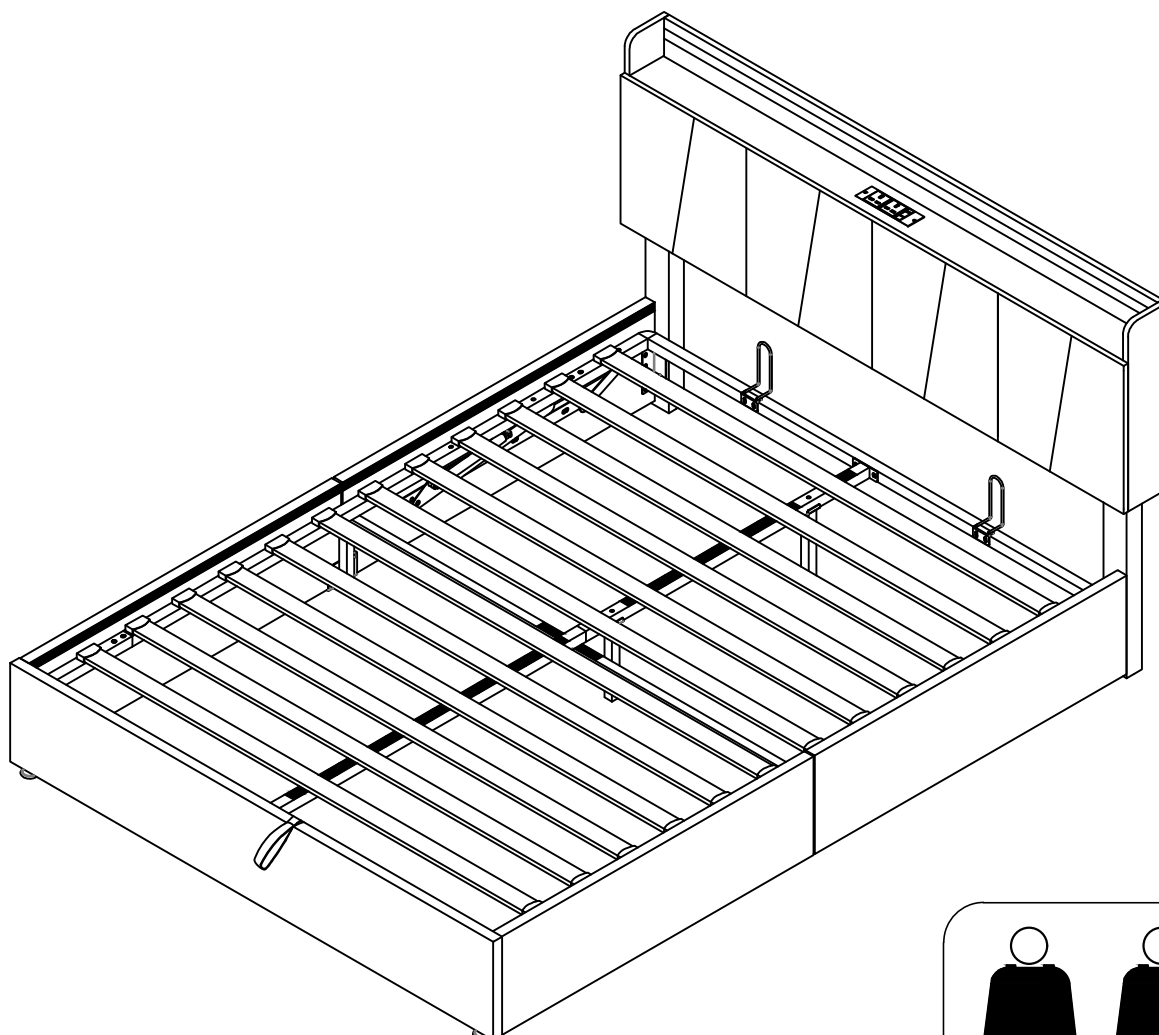


ASSEMBLY INSTRUCTIONS

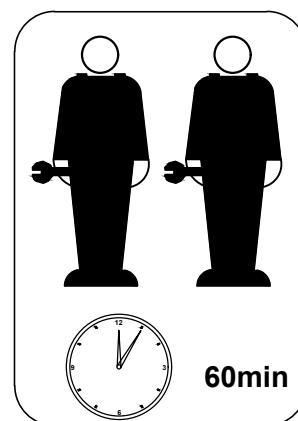
Item Number **N601P318208**
N601P318209

This set comes in 2 boxes. If you do not receive a full 2 boxes, please contact our customer service.

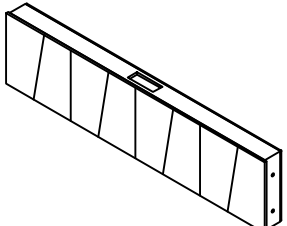
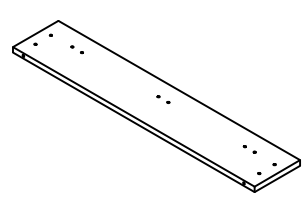
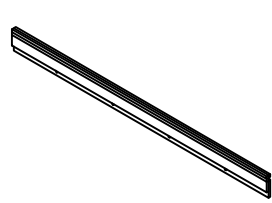
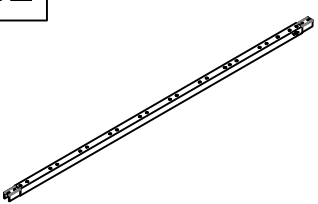
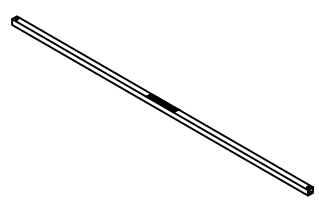
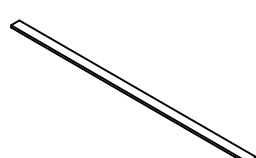
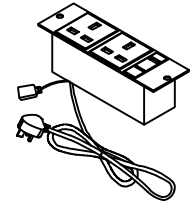
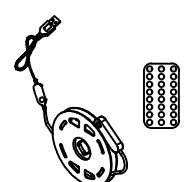
Upholstered bed-150*200CM



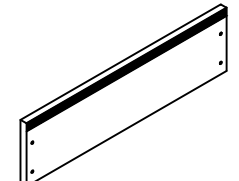
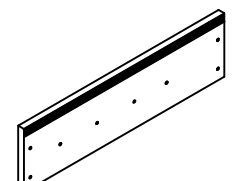
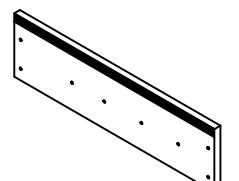
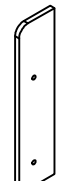
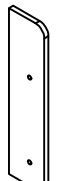
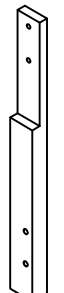
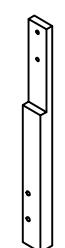
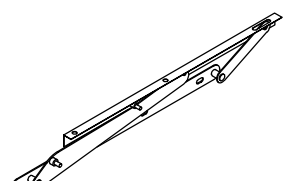
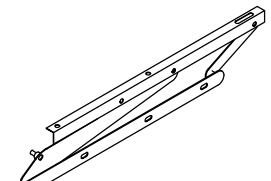
UK
CA



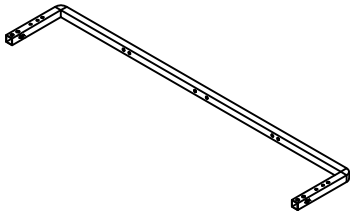
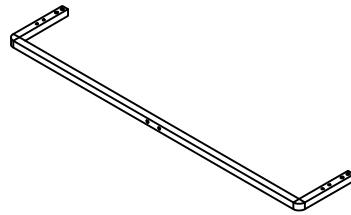
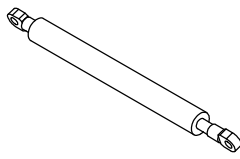
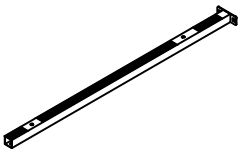
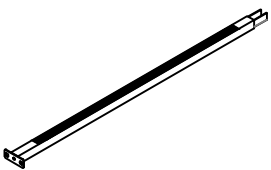

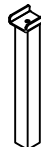
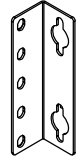
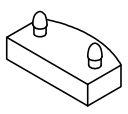

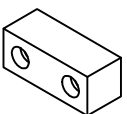
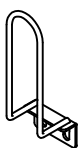

Part list N601P318208

<p>A</p>  <p>Headboard-1PC</p>	<p>B</p>  <p>Footboard-1PC</p>	<p>E</p>  <p>Bed Headboard-1PC</p>	<p>I2</p>  <p>Side tube-2PCS</p>
<p>K2</p>  <p>Middle Rail-1PC</p>	<p>G2</p>  <p>Slat-12PCS</p>	<p>M</p>  <p>Adapter-1PC</p>	<p>T</p>  <p>HB light-1PC</p>

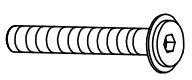
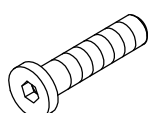
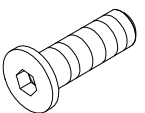
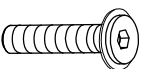
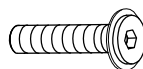
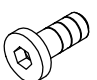
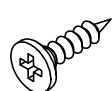
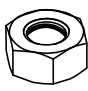
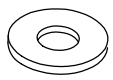
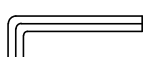
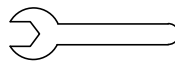
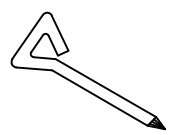
Part list N601P318209

<p>C2</p>  <p>Rearbed side-2PC</p>	<p>D3</p>  <p>front bed side(L) -1PC</p>	<p>D4</p>  <p>front bed side(R) -1PC</p>
<p>F1</p>  <p>Headboard Wing(L)-1PC</p>	<p>F2</p>  <p>Headboard Wing(R)-1PC</p>	<p>L1</p>  <p>Leg Headboard(L)-1PC</p>
<p>L2</p>  <p>Leg Headboard(R)-1PC</p>	<p>H1</p>  <p>Hydraulic(L)-1PC</p>	<p>H2</p>  <p>Hydraulic(R)-1PC</p>

Part list N601P318209

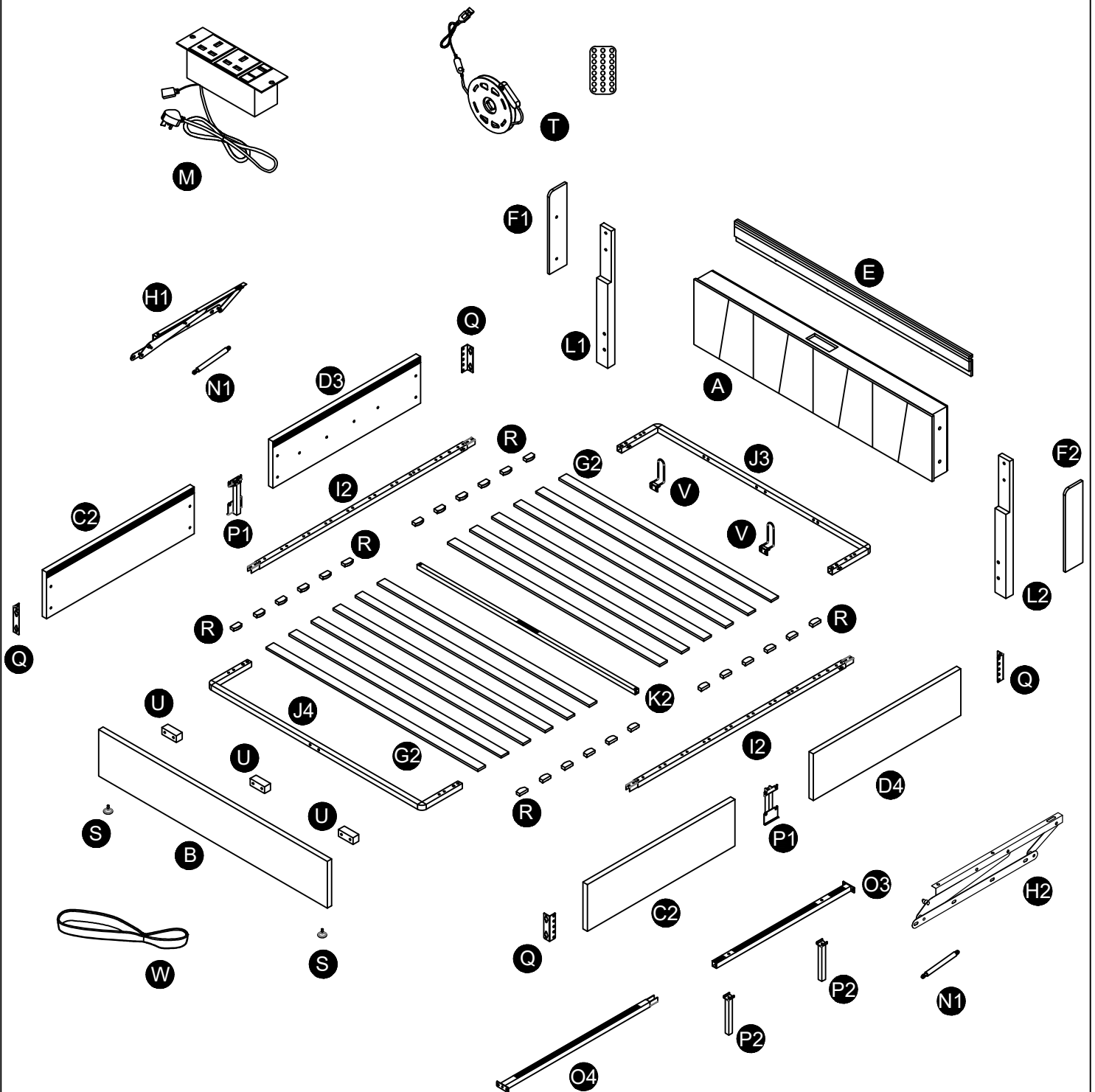
<p>J3</p>  <p>connect HB Front Rail-1PC</p>	<p>J4</p>  <p>connect HB Back Rail-1PC</p>	<p>N1</p>  <p>Hydraulic Bar-2PCS</p>	<p>O3</p>  <p>front-Middle Bed Beam-1PC</p>	
<p>O4</p>  <p>Rear-Middle Bed Beam-1PC</p>	<p>P1</p>  <p>Side support Leg-2PCS</p>	<p>P2</p>  <p>Supporting Leg-2PCS</p>	<p>Q</p>  <p>Indices "L"-4PCS</p>	
<p>R</p>  <p>Plastic caps (Single)-24PCS</p>	<p>S</p>  <p>Legs-2PCS</p>	<p>U</p>  <p>Plastic Block -3PCS</p>	<p>V</p>  <p>Block Bar-2PCS</p>	<p>W</p>  <p>Straps-1PC</p>

Hardware list N601P318209

 <p>M8*50MM X1*10PCS</p>	 <p>M8*45MM X2*10PCS</p>	 <p>M8*35MM X3*4PCS</p>	 <p>M8*30MM X4*40PCS</p>	 <p>M8*25MM X5*4PCS</p>	 <p>M8*16MM X6*10PCS</p>
 <p>M3*15MM X7*2PCS</p>	 <p>M8 Y*10PCS</p>	 <p>∅22*∅8.5 Z1*8PCS</p>	 <p>M5 Z2*1PC</p>	 <p>M13 Z3*1PC</p>	 <p>M5 Z4*1PC</p>

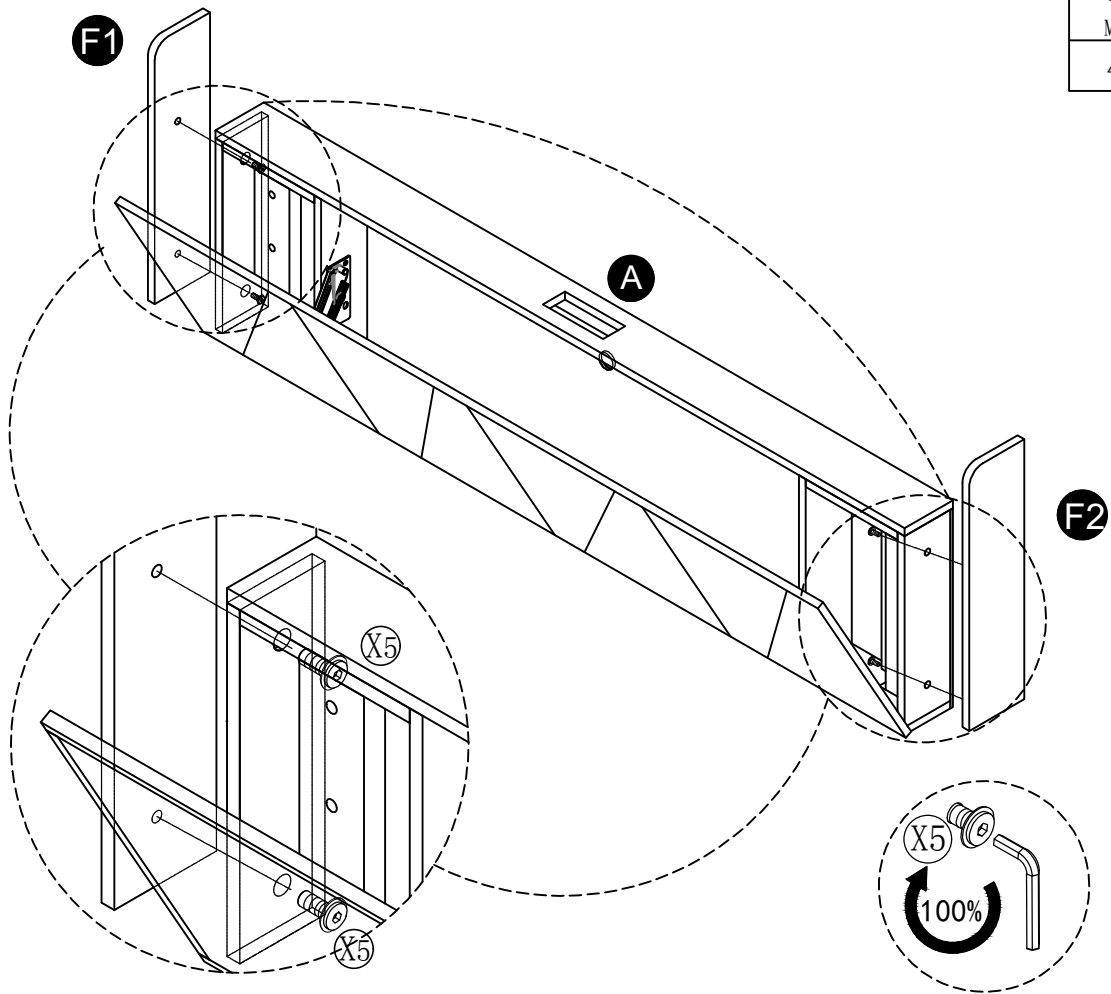
Detail View

NOTE: Please do not completely tighten all the hardware until the entire assembly is complete!

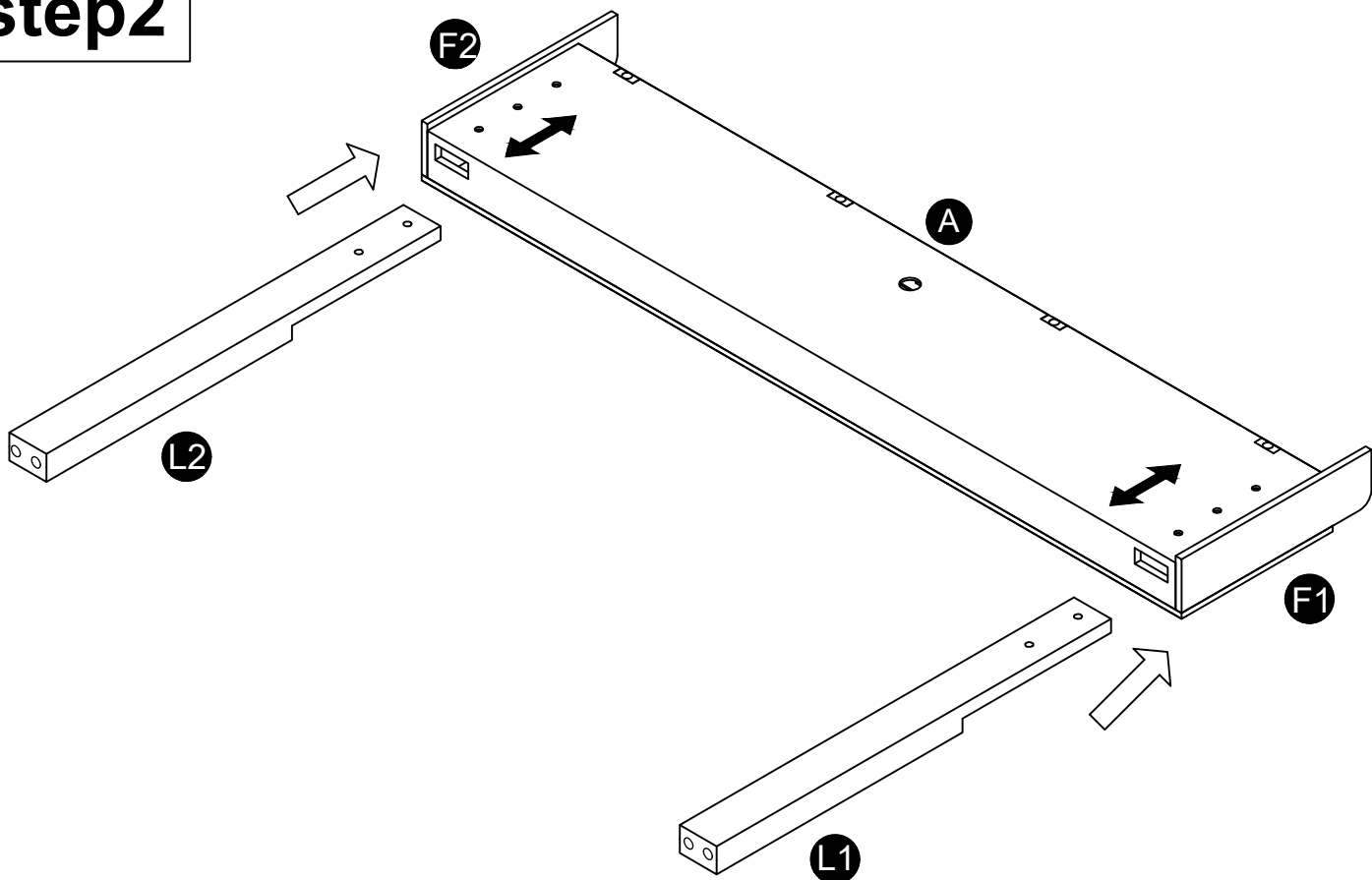


step1

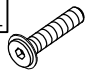

X5
M8*25MM
4PCS

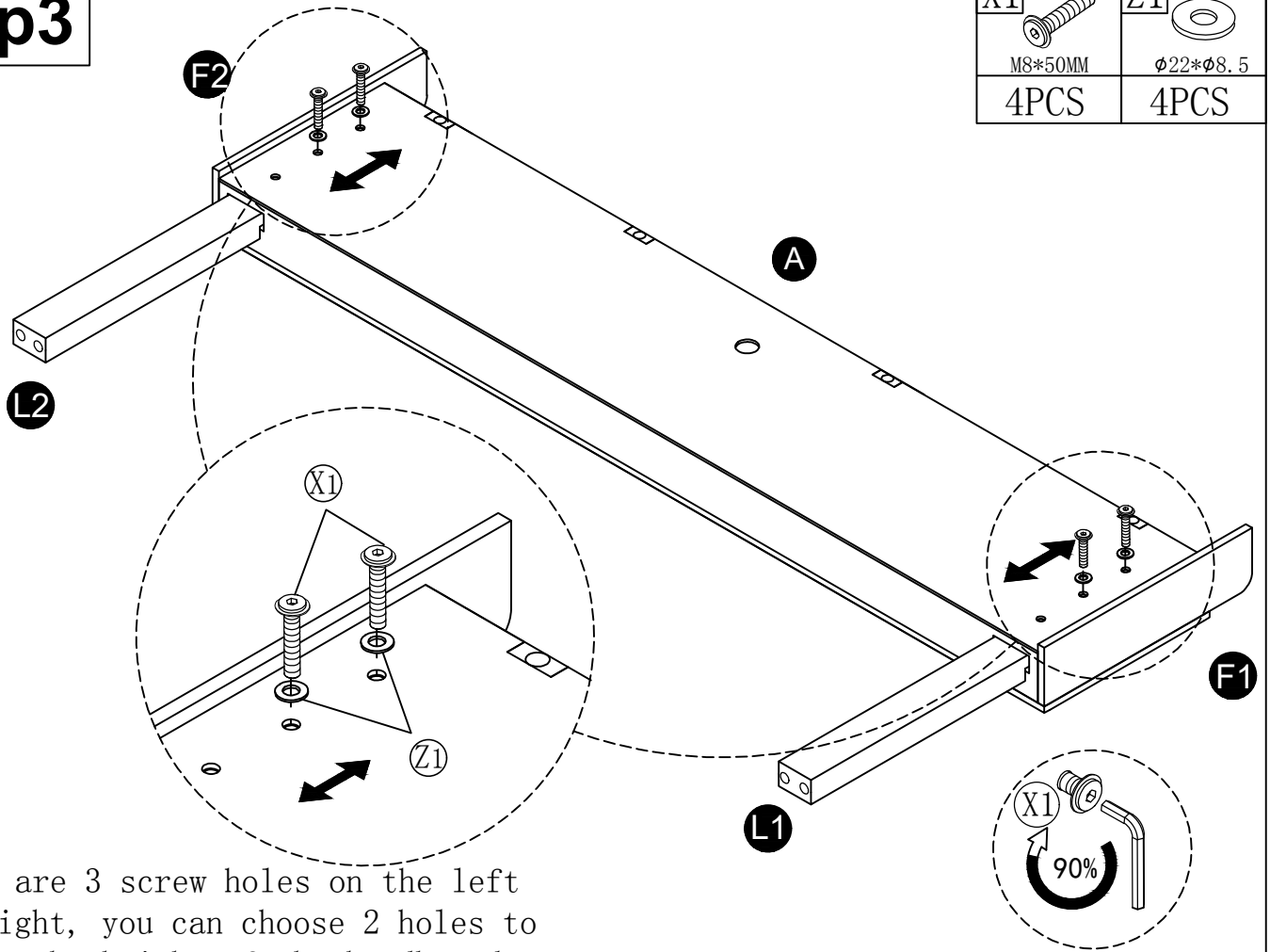


step2




step3

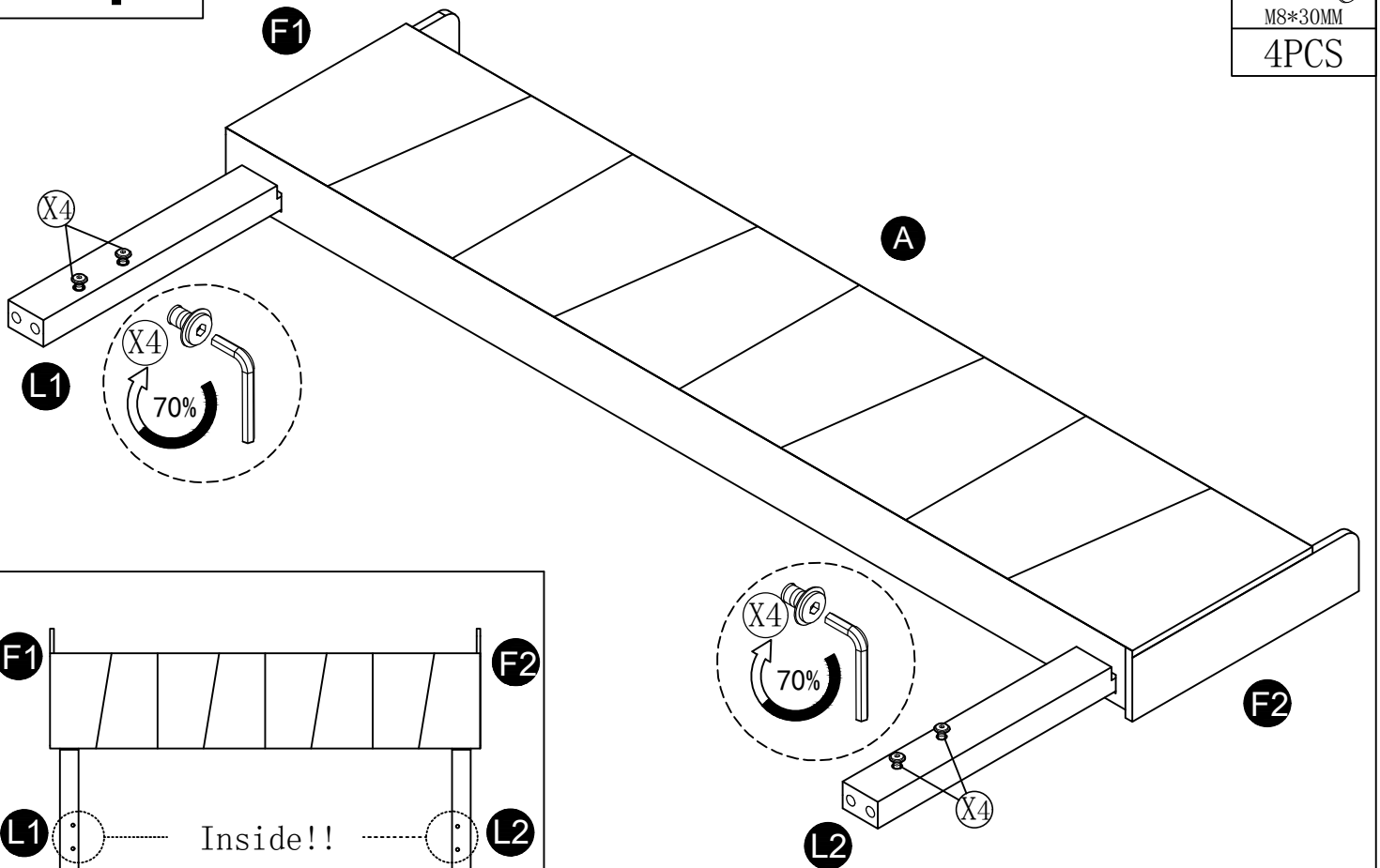
X1		Z1	
	M8*50MM		φ22*φ8.5
4PCS		4PCS	



There are 3 screw holes on the left and right, you can choose 2 holes to adjust the height of the headboard.

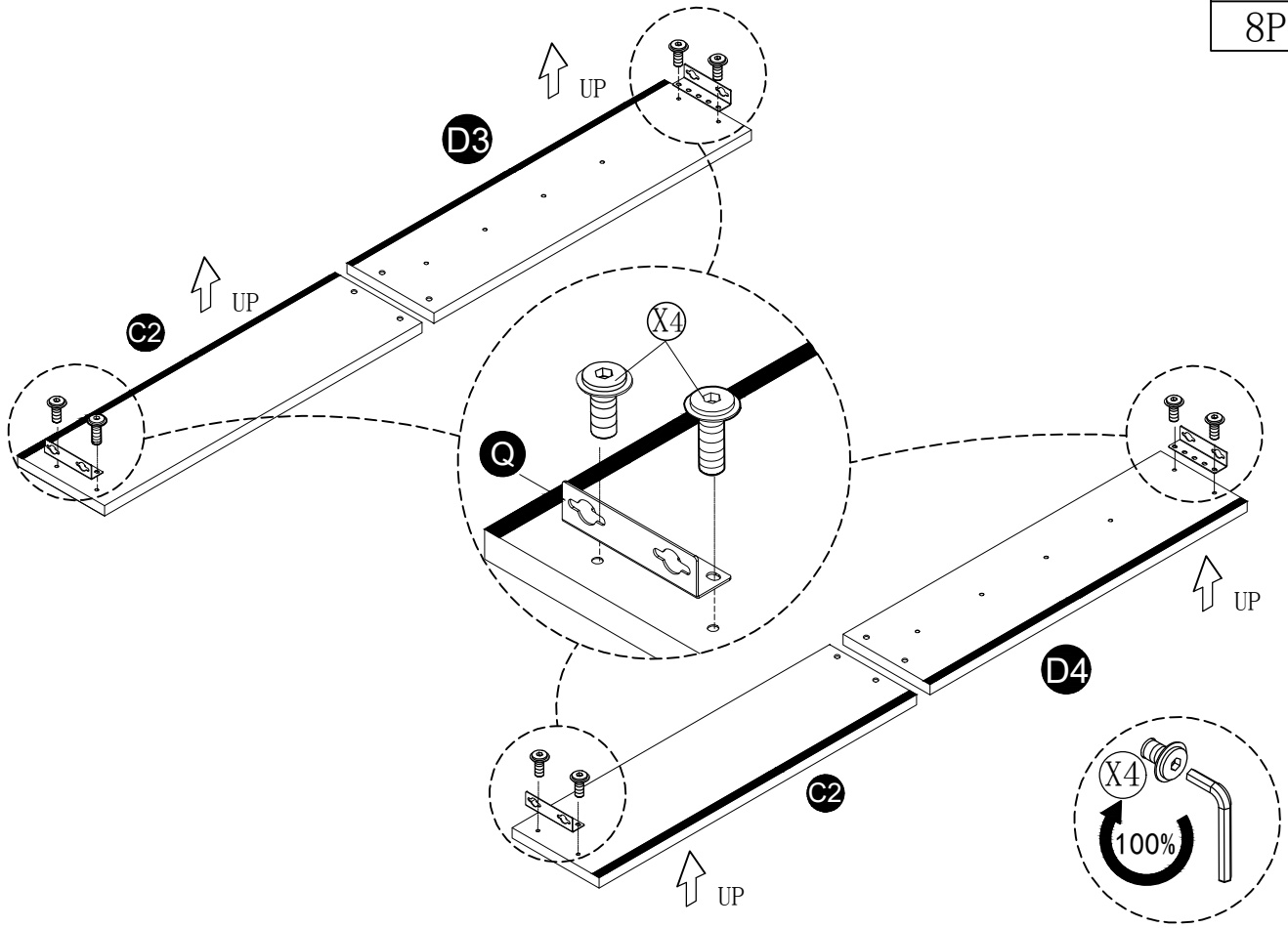
step4

X4	
	M8*30MM
4PCS	



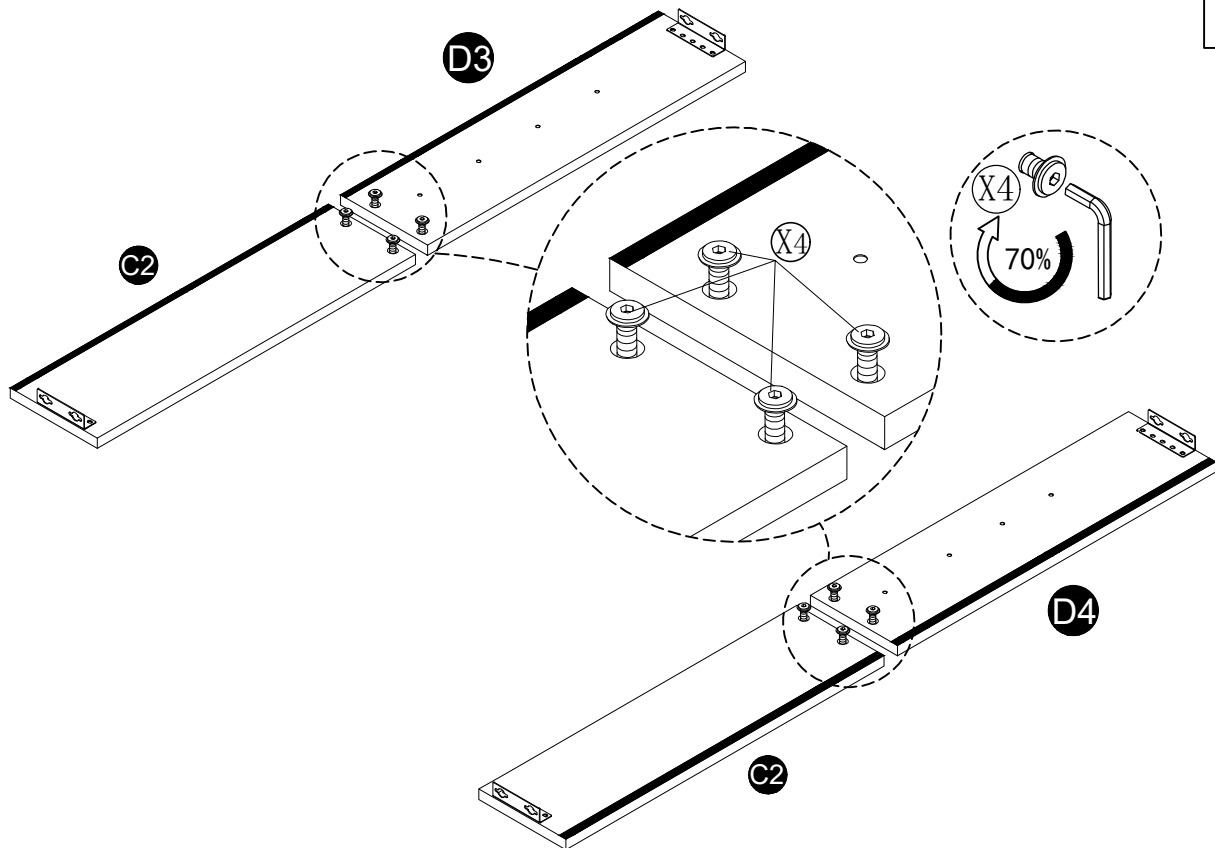
step5

X4
M8*30MM
8PCS



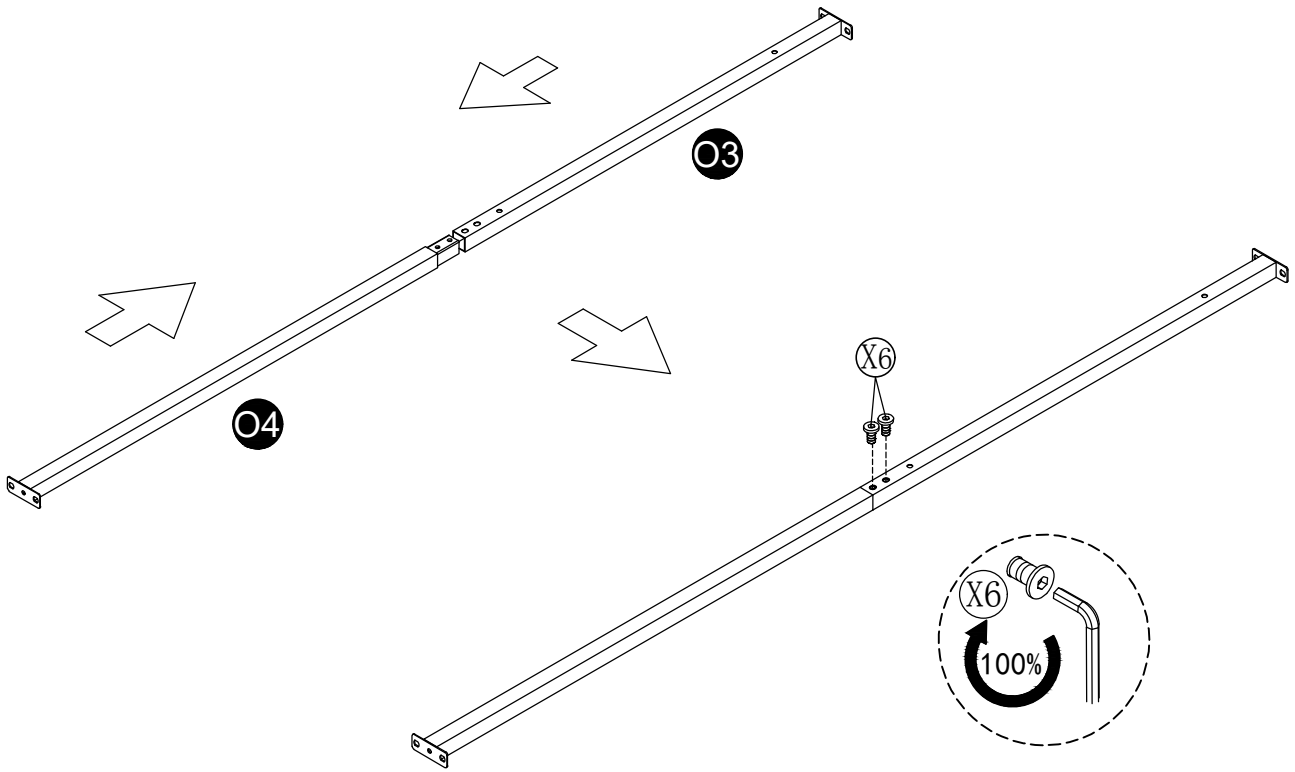
step6

X4
M8*30MM
8PCS



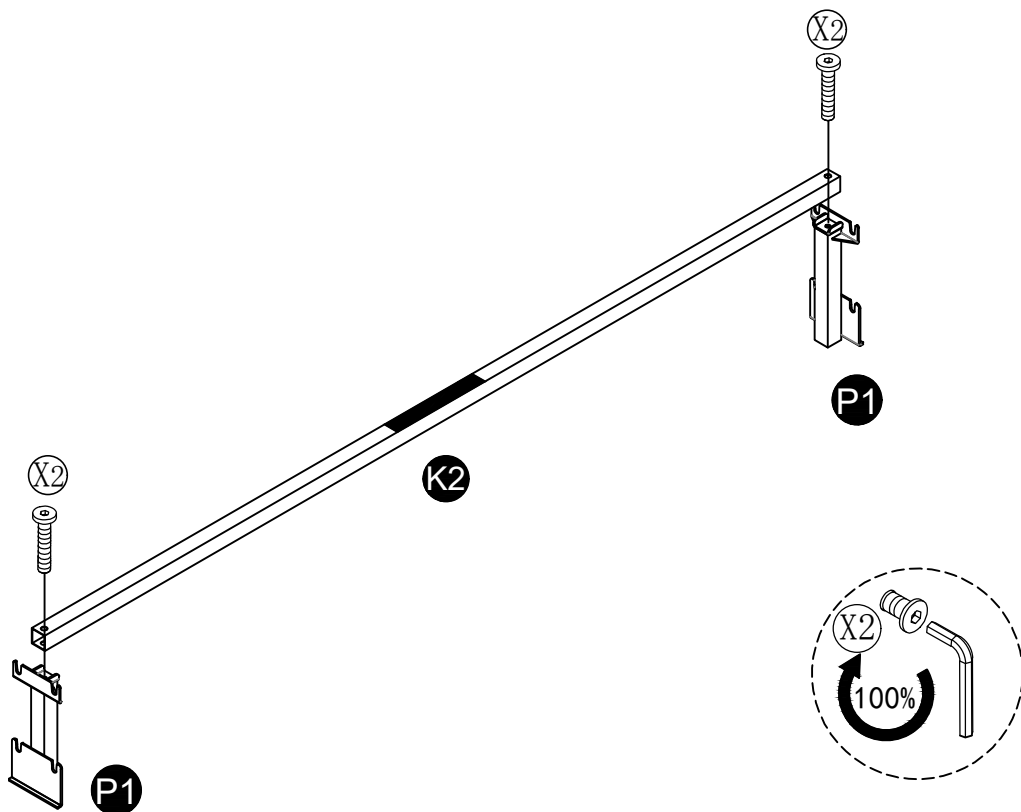
step9

X6
M8*16MM
2PCS



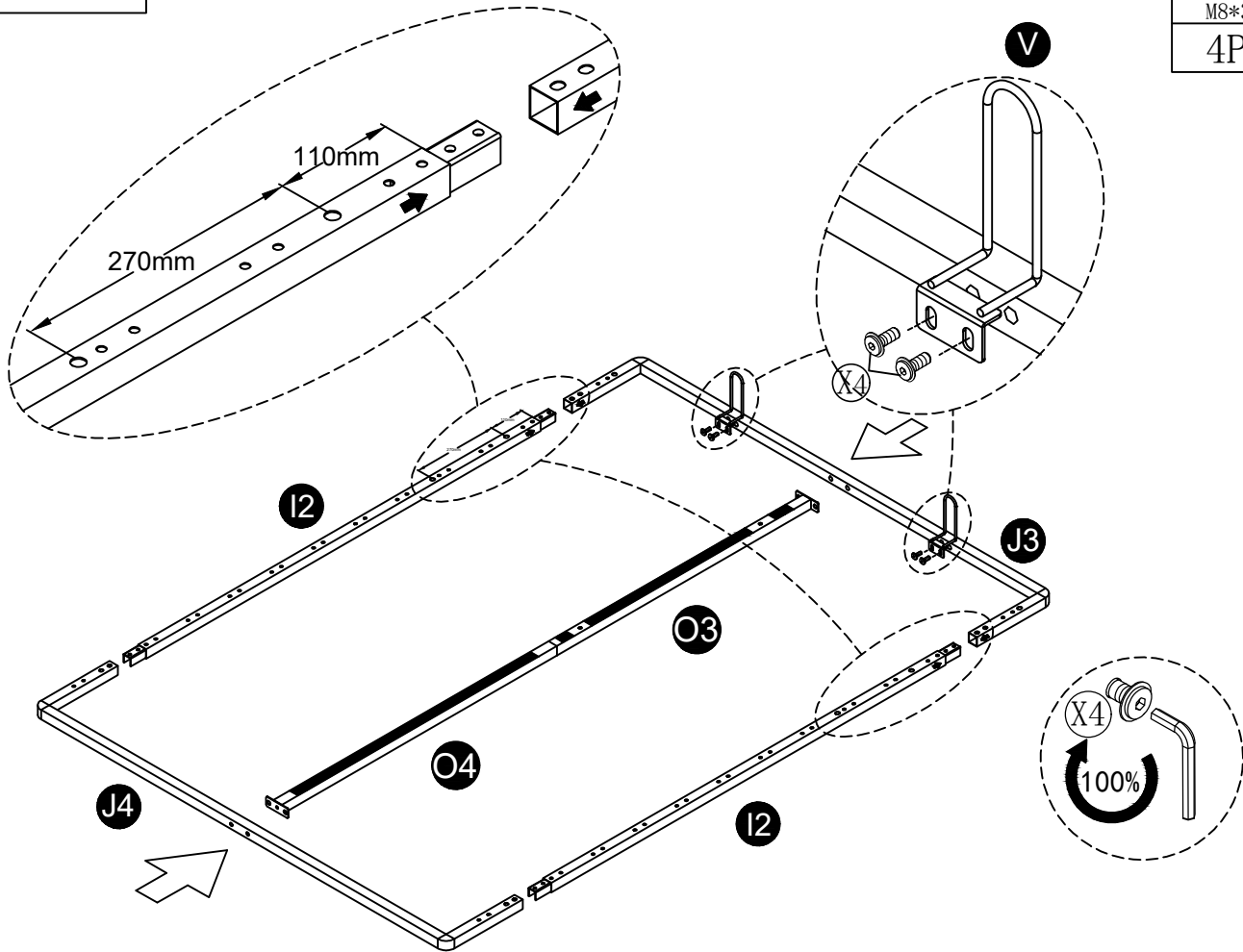
step10

X2
M8*45MM
2PCS



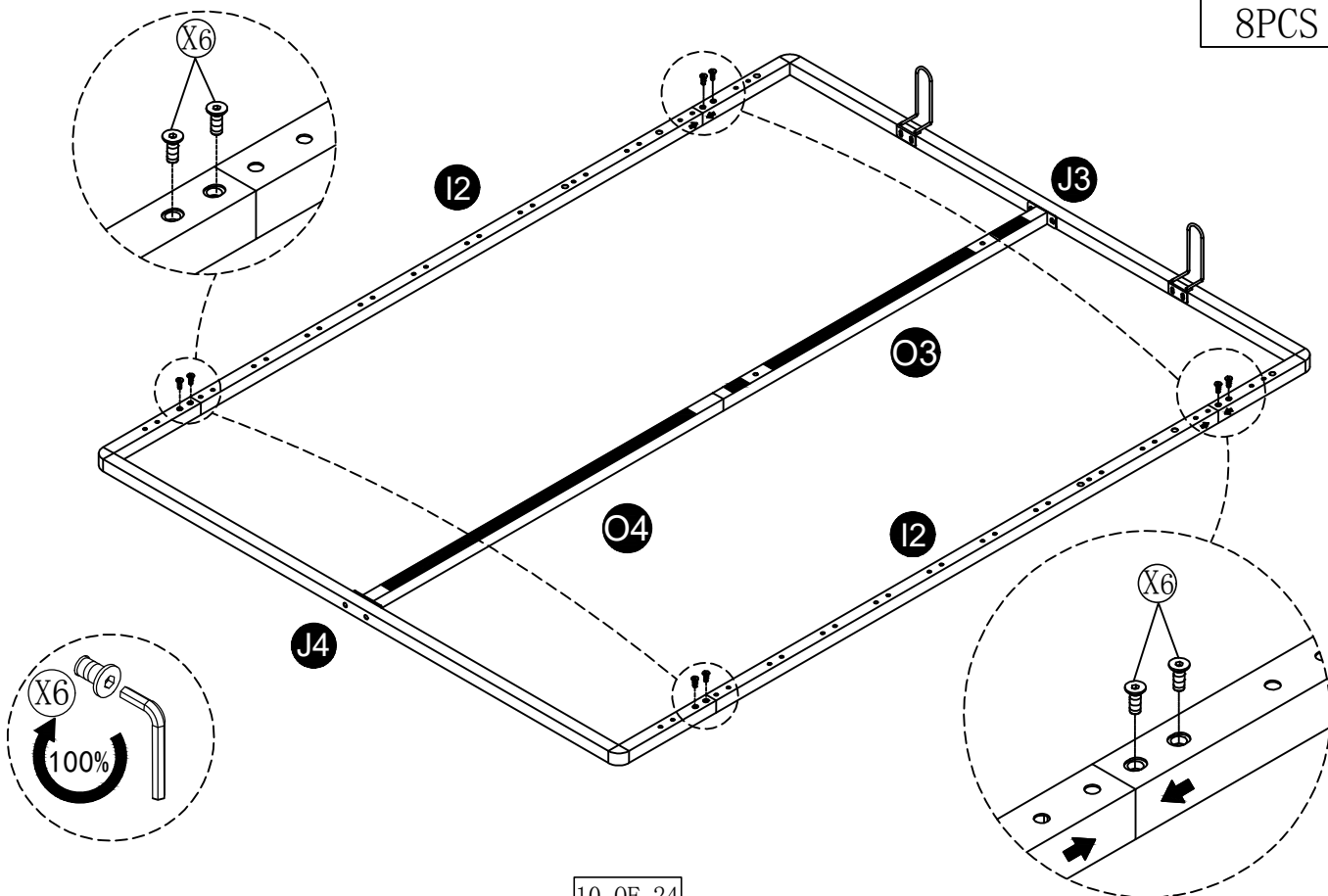
step11

X4
M8*30MM
4PCS



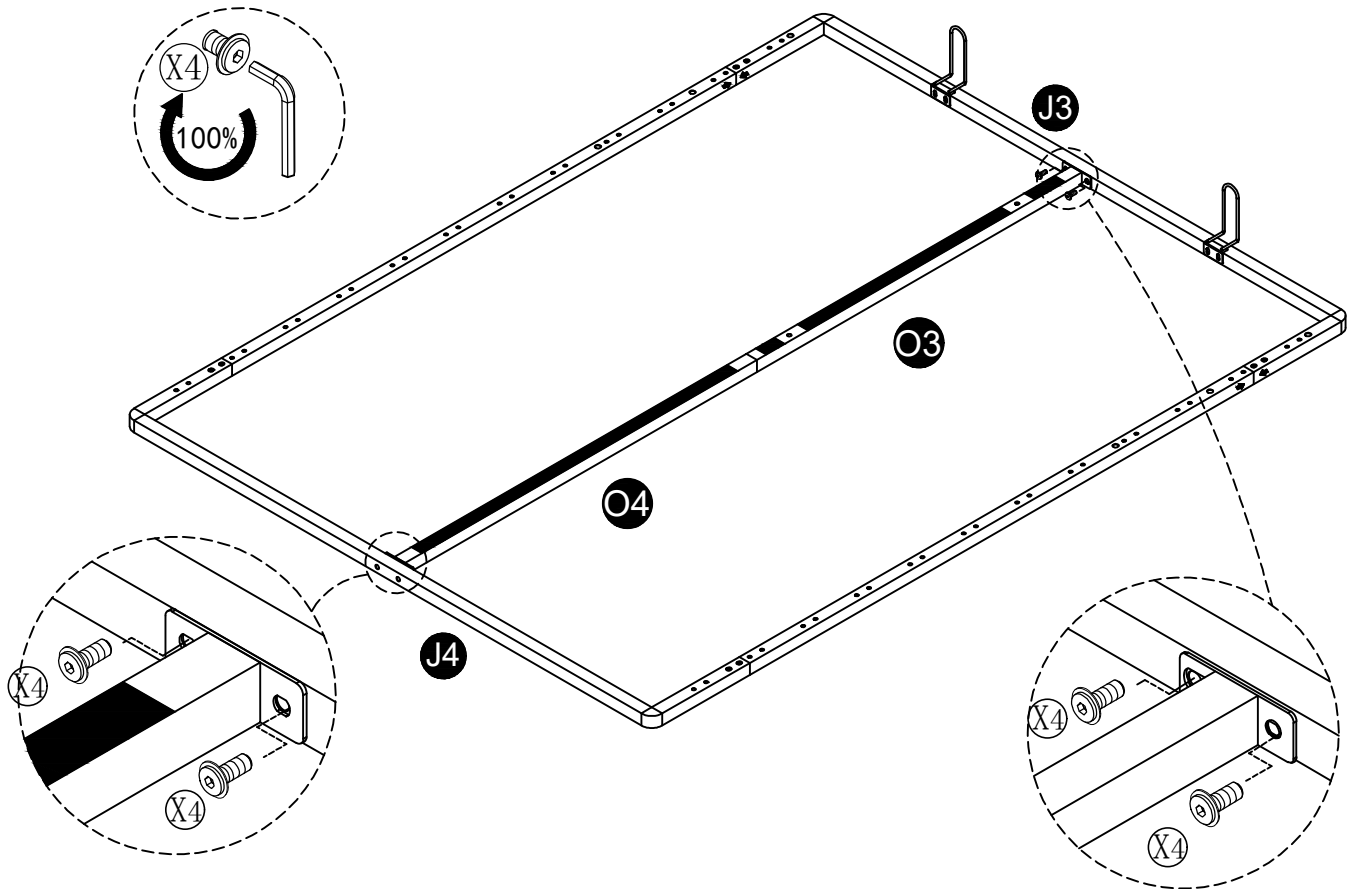
step12

X6
M8*16MM
8PCS

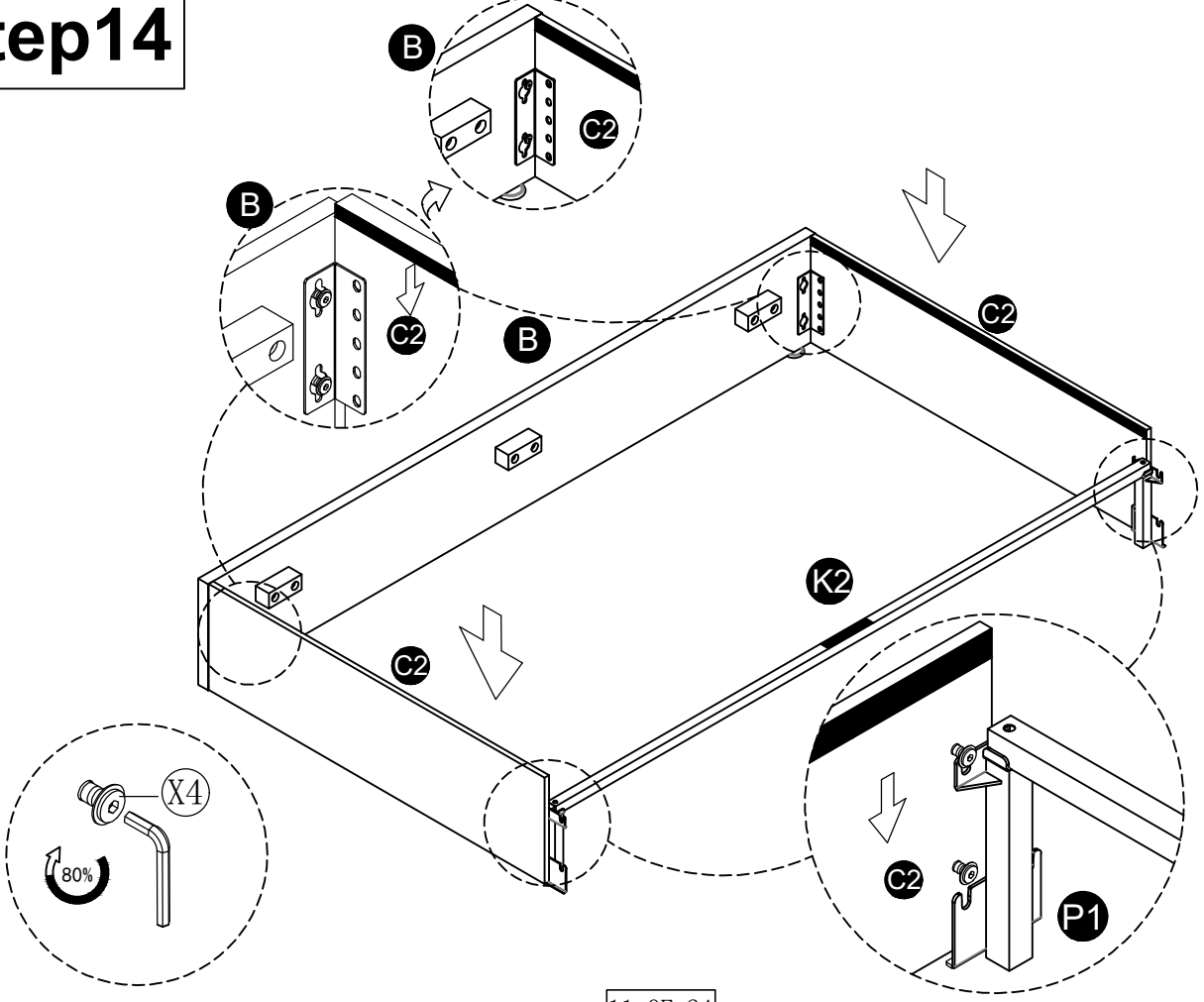


step13

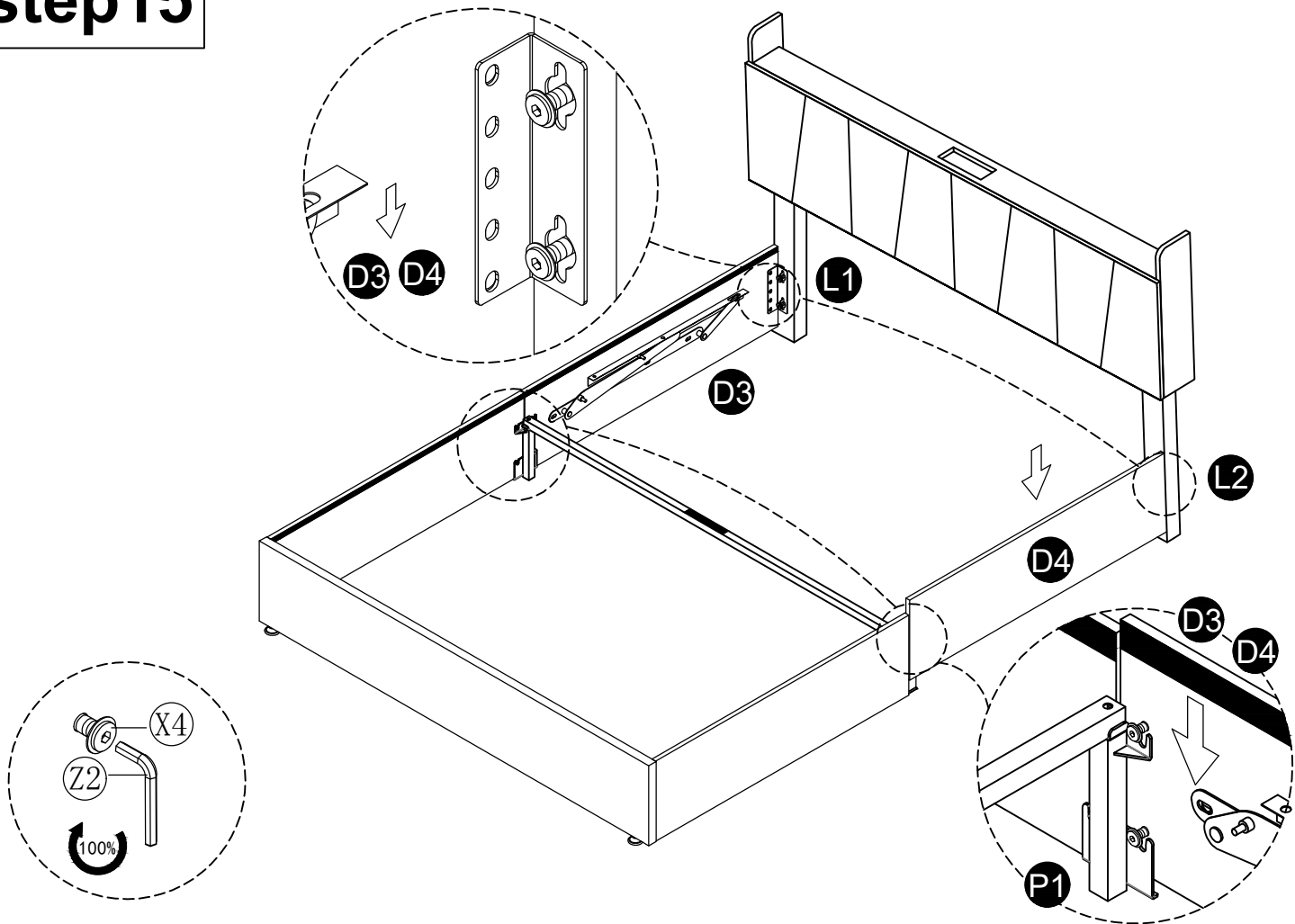
X4
M8*30MM
4PCS



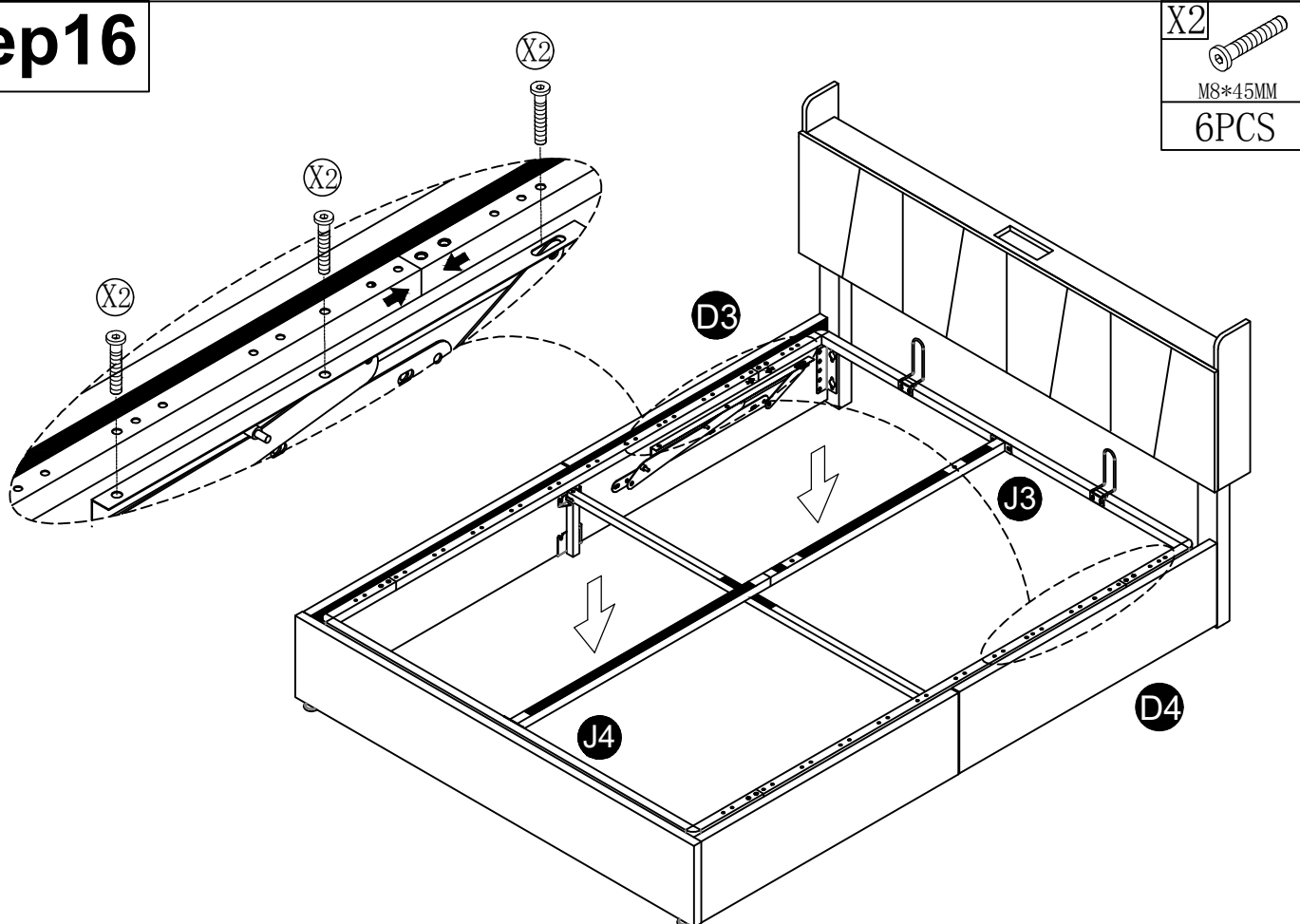
step14



step15



step16

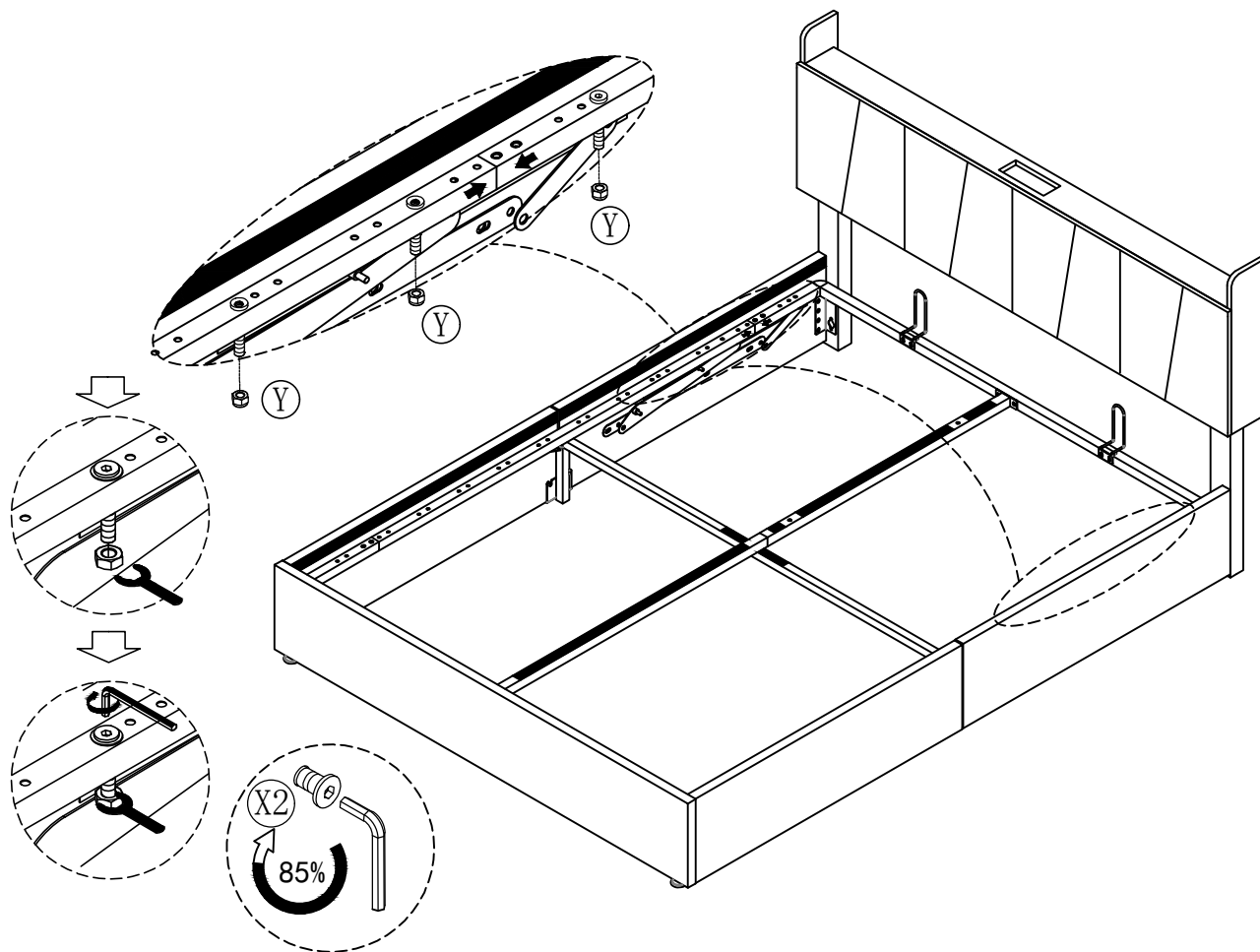


step17

Y



6PCS

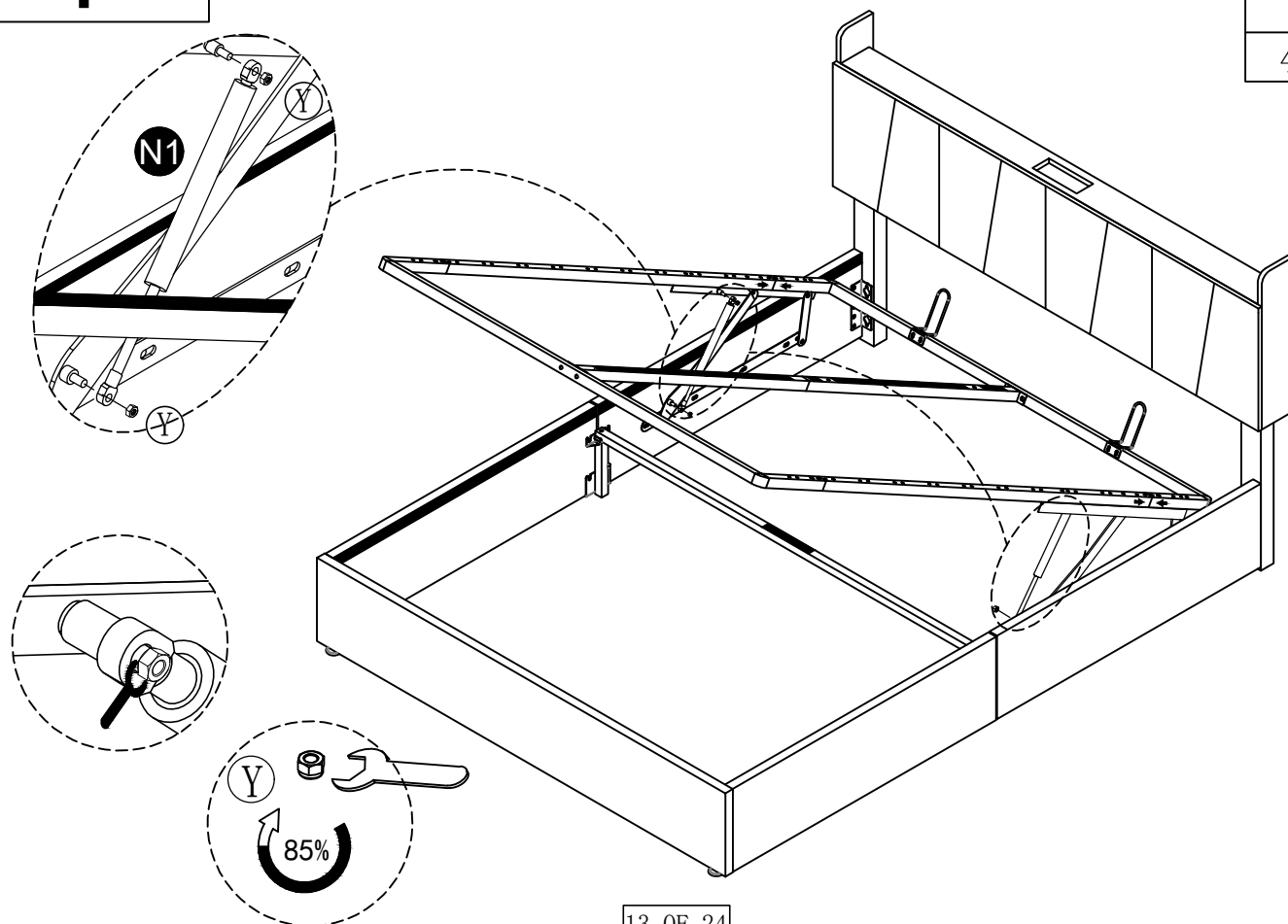


step18

Y

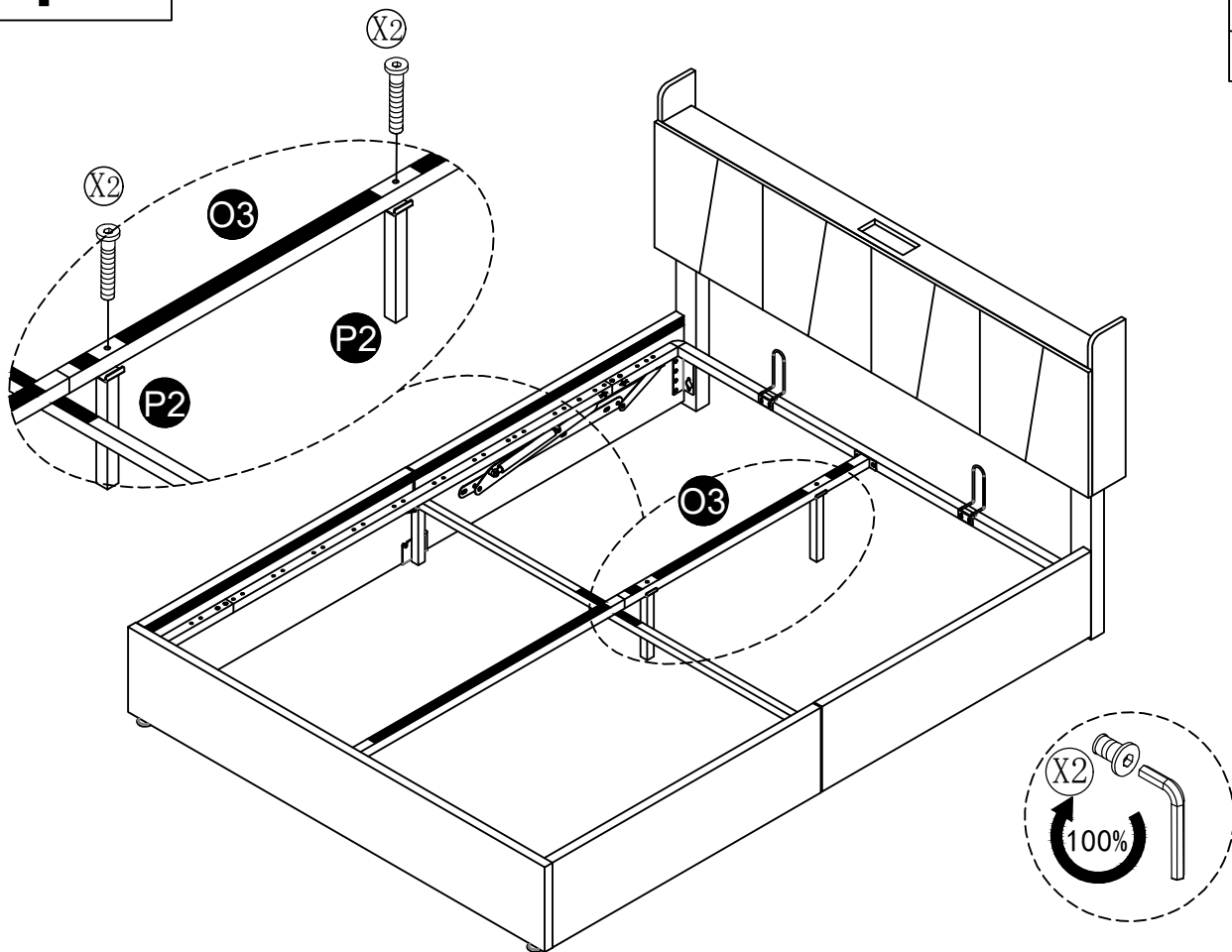


4PCS

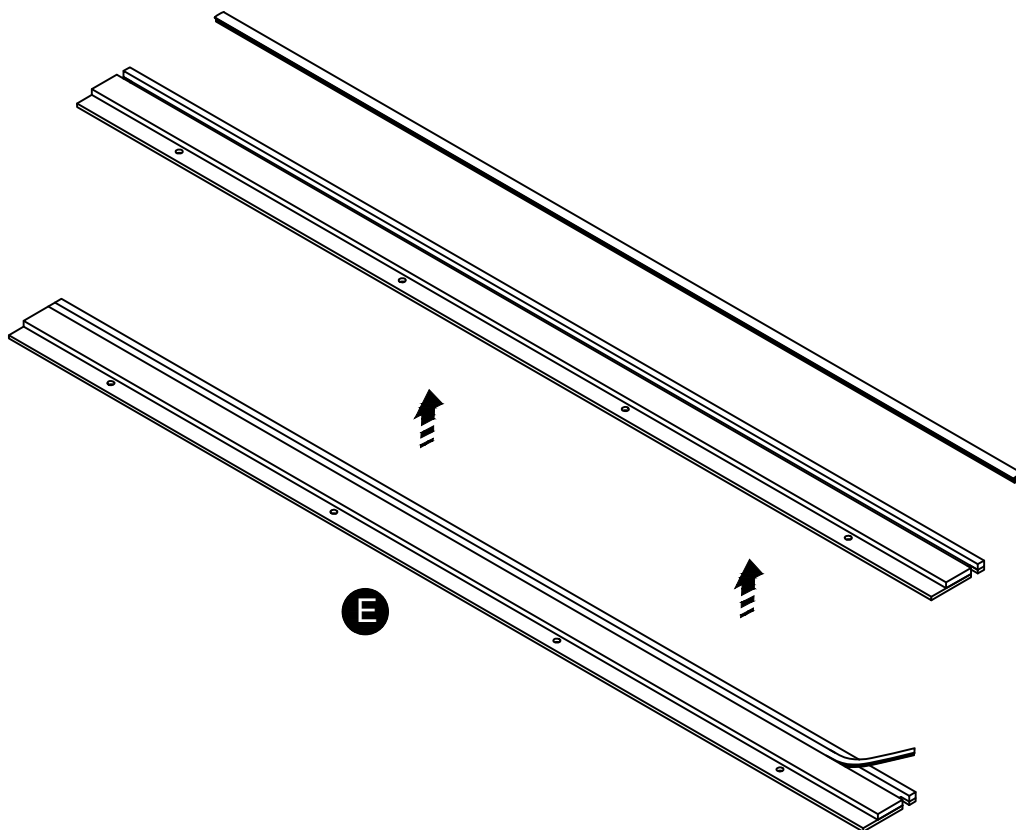


step19

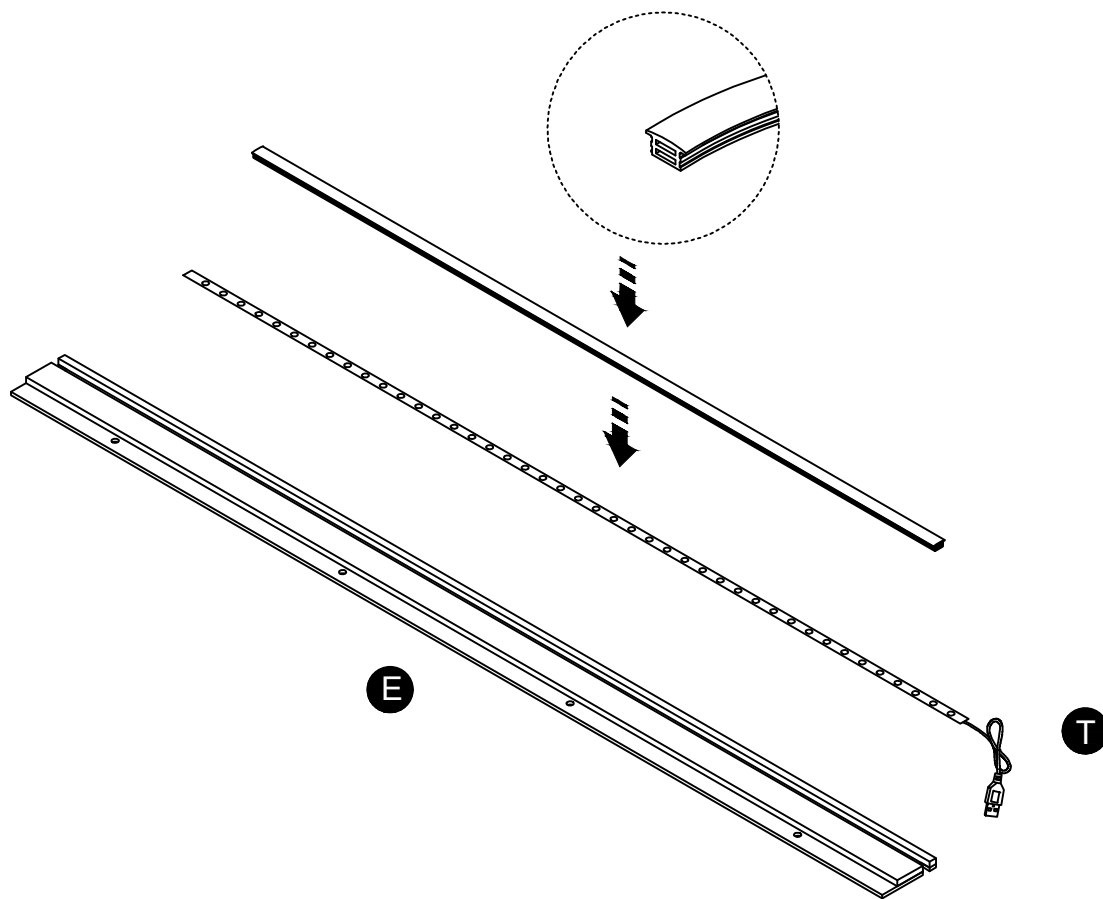
X2
M8*45MM
2PCS



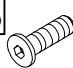
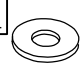
step20

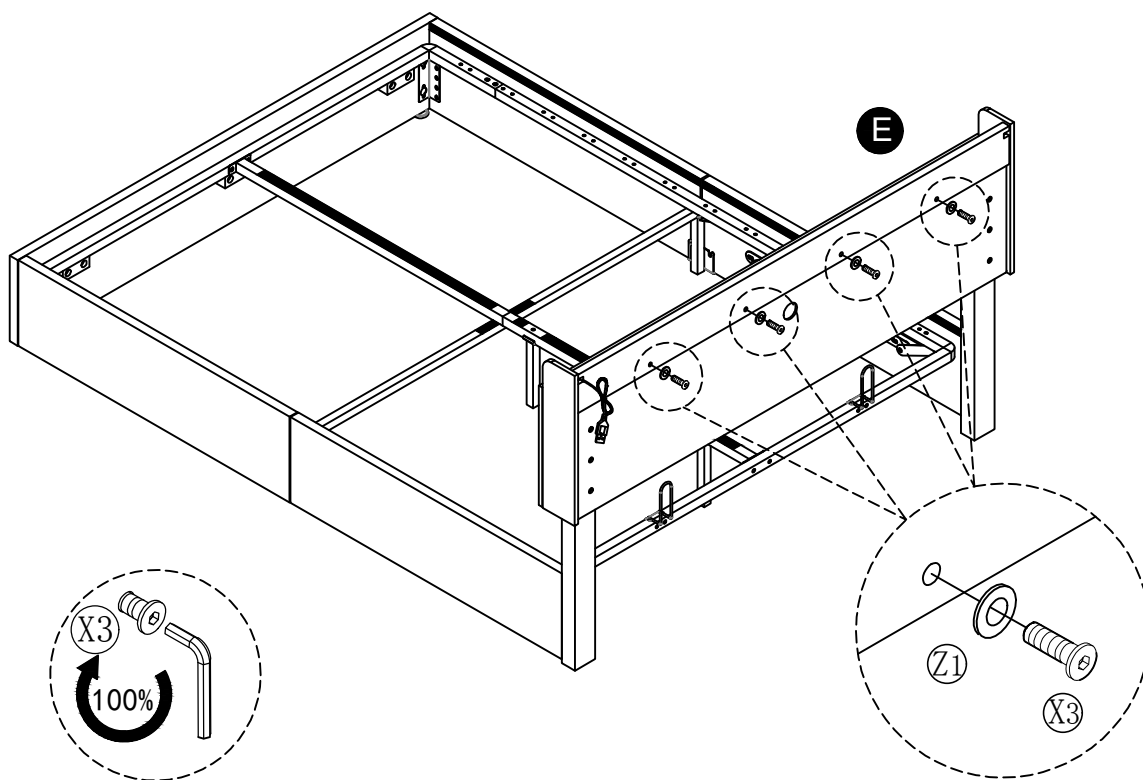


step21



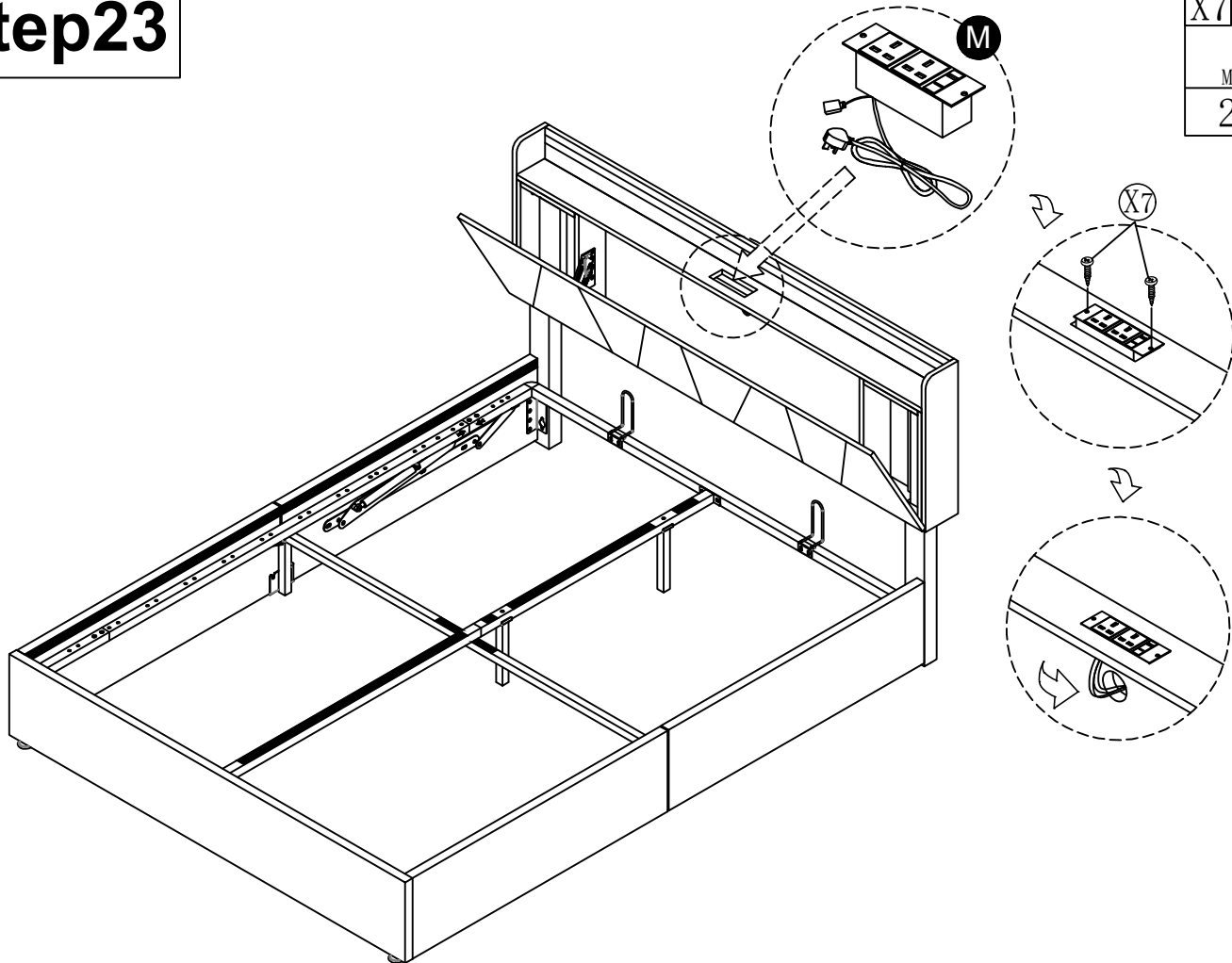
step22

X3		Z1	
	M8*35MM		Ø22*Ø8.5
4PCS		4PCS	

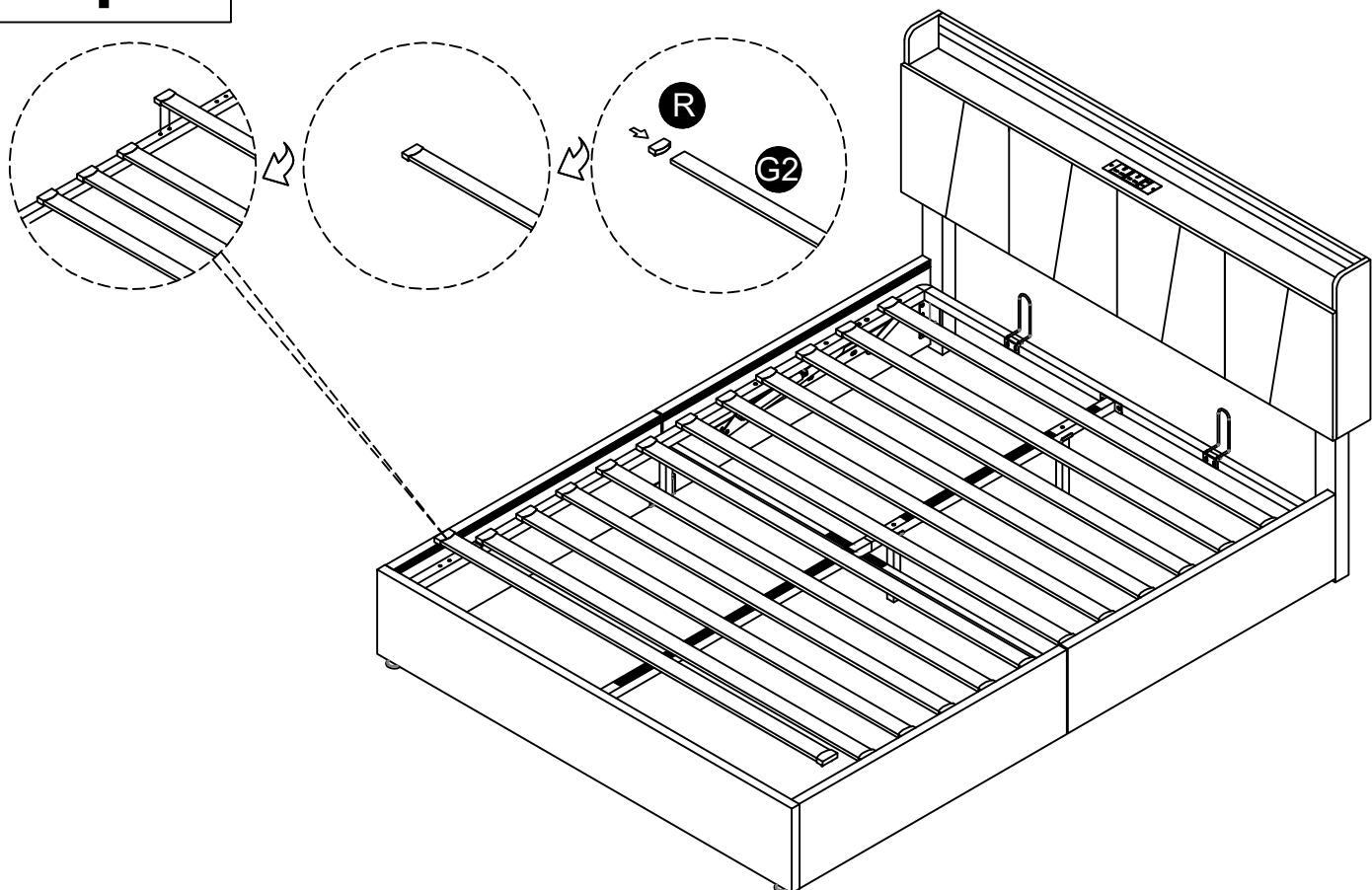


step23

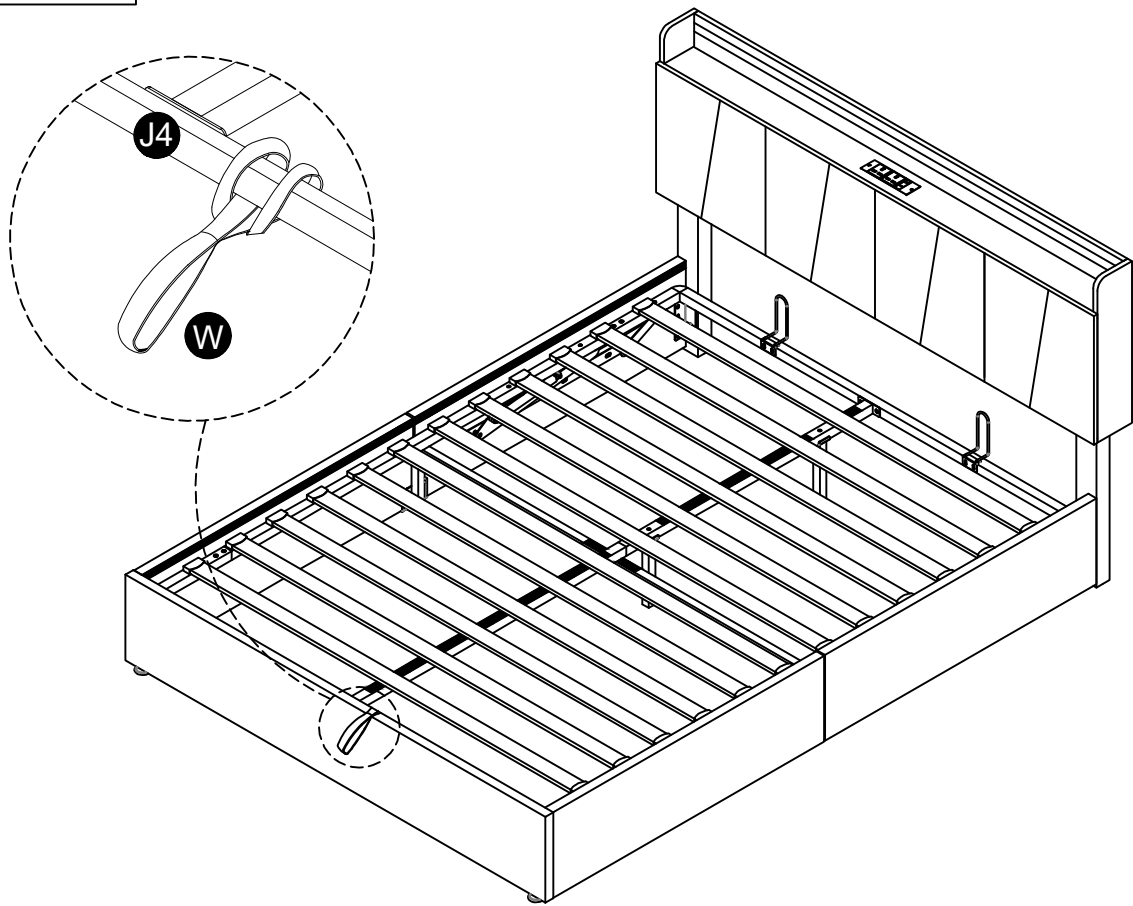
X7
M3*15MM
2PCS



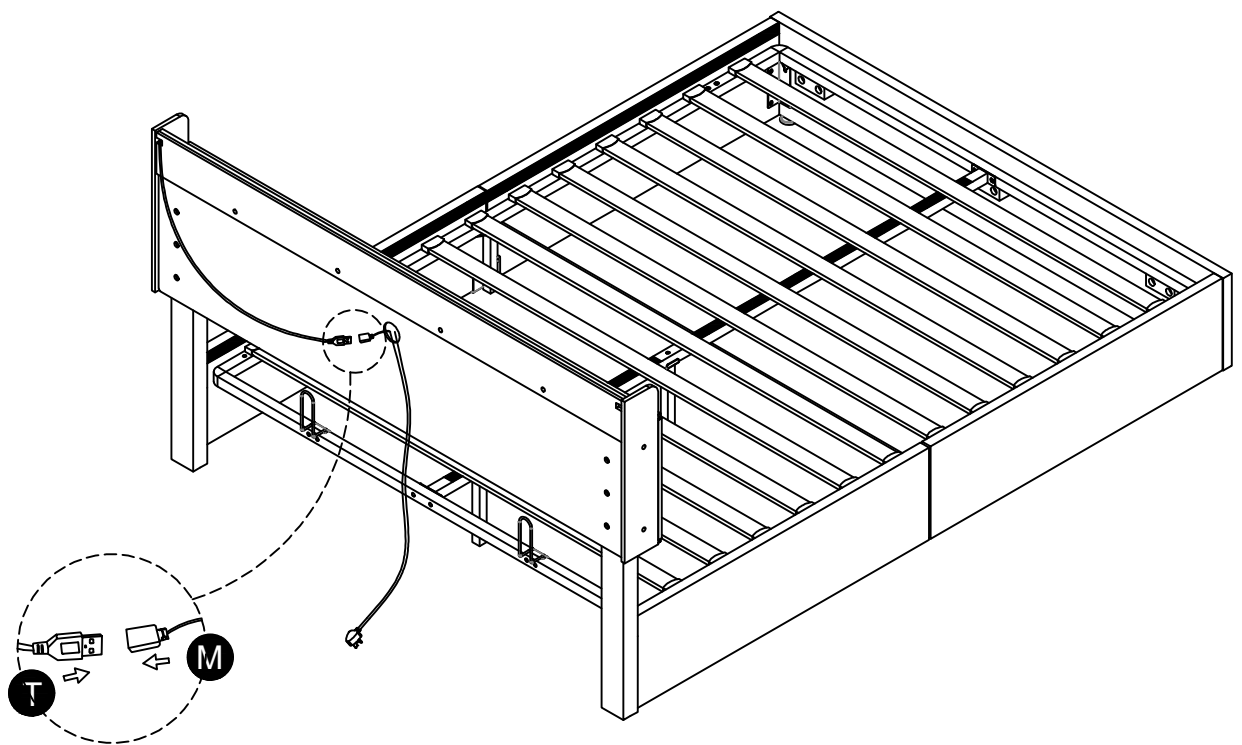
step24



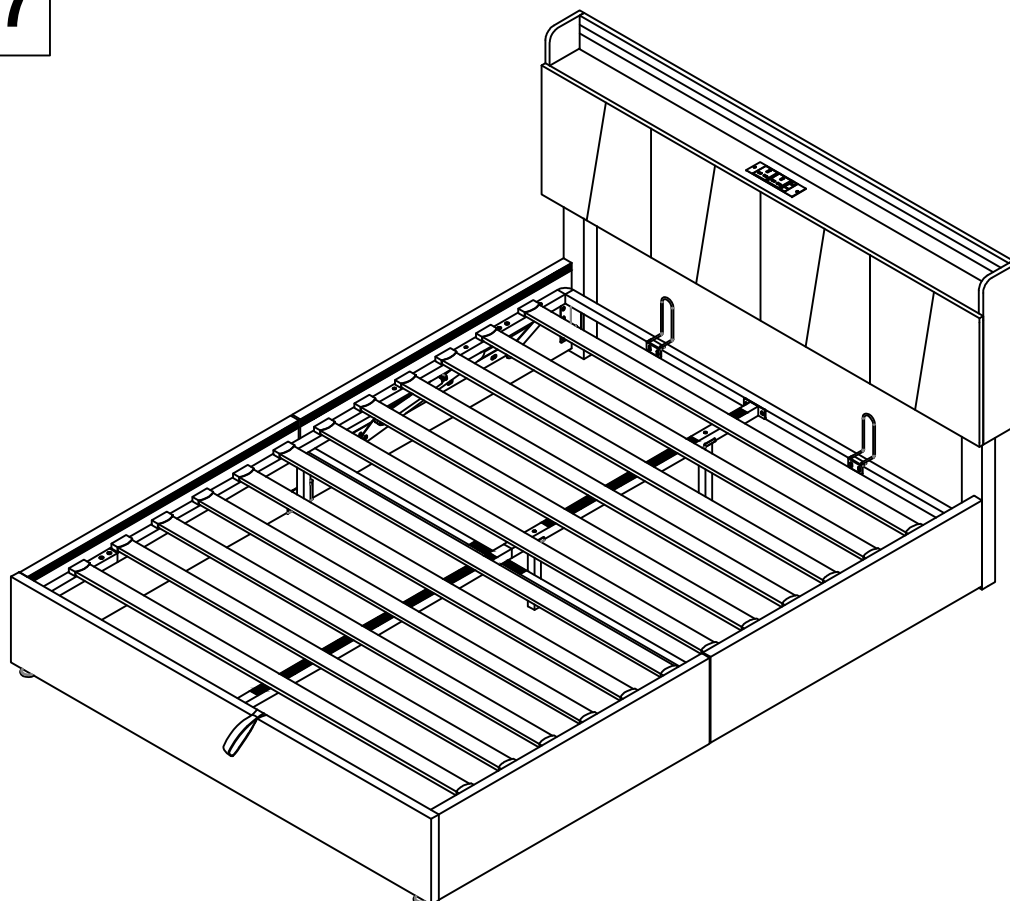
step25



step26



step27



Tighten all Screws

IMPORTANT NOTICE

OTTOMAN OPERATING INSTRUCTIONS

Once your bed frame is completely assembled, the slat unit will not operate correctly unless a mattress is placed on the slat frame. Position the mattress on the slat frame whilst it is in the closed position.

PLEASE NOTE It -takes a lot of force to make the initial movement of the ottoman. This is a design feature of the product so that it does not fall shut -the nearer to being closed the ottoman is, the easier it is to move. When the ottoman is almost shut, it will close completely under its own weight.

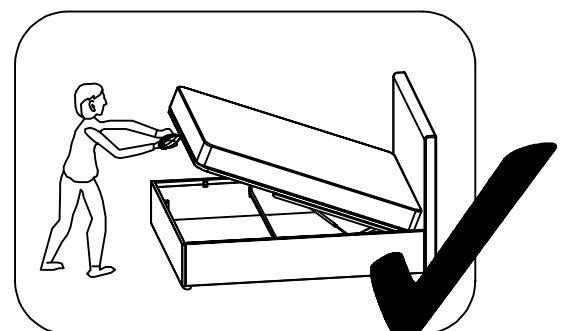
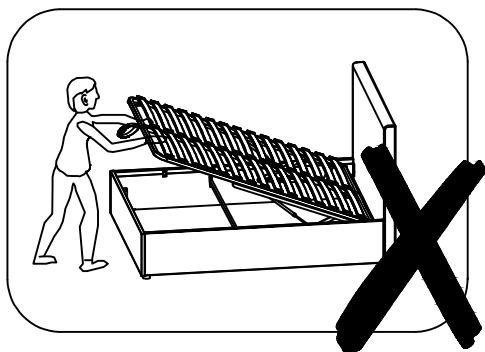
When lowering the slat unit for the first time, take care to make sure it does not rub unevenly on the inside face of the side rails. If it does, the bed has been assembled slightly out of square. This can be rectified by moving the foot end of the bed slightly to the left or right whilst leaving the head end stationary.

PISTONS

The pistons used in the construction of this product are extremely strong and cannot be operated by hand when taken off the ottoman. All pistons are tested for correct pressure and operation before being attached to the slat unit. Initially it might appear that the pistons are very stiff when opening and closing the ottoman.

THIS IS PERFECTLY NORMAL

When fully assembled and the mattress is in position, please raise and lower the ottoman 4/5 times to ensure the gas piston are fully lubricated.



GB – NOTE: The battery in the remote control requires you to purchase and install it yourself.
Model: CR2025 3.V

DE – HINWEIS: Die Batterie in der Fernbedienung müssen Sie selbst kaufen und installieren
Modell: CR2025 3.V

FR – REMARQUE : la pile de la télécommande doit être achetée et installée par vos soins.
Modèle : CR2025 3.V

IT – NOTA: la batteria del telecomando deve essere acquistata e installata autonomamente.
Modello: CR2025 3.V

ES – NOTA: La pila del mando a distancia debe comprarla e instalarla usted mismo
Modelo CR2025 3.V

①



②



③



④



⑤



⑥



⑦



⑧





China

Attestation of Conformity

No. N8AUK 120613 0003 Rev. 00

Holder of Attestation: **DONGGUAN BAIYOU ELECTRONIC CO.,LTD**

2F A Building Wufeng Industrial, Jintan Road, Shijie Town
523290 Dongguan City
PEOPLE'S REPUBLIC OF CHINA

Product: **Multiple Socket Outlets**

This Attestation of Conformity is issued on a voluntary basis according to the Electrical Equipment (Safety) Regulations 2016 relating to electrical equipment designed for use within certain voltage limits. It confirms that the listed equipment complies with the principal protection requirements of the regulation and is based on the technical specifications applicable at the time of issuance. It refers only to the particular sample submitted for conformity assessment.
For details see: www.tuvsud.com/ps-cert

Test report no.: 874102337710-00

Date, 2023-09-08

(Jie Zhu)

Page 1 of 3

This Attestation does not replace the regulatory UK Declaration of Conformity (DoC) and does not allow for UKCA marking. After preparation of the necessary technical documentation and establishing compliance to requirements of all applicable regulations, the manufacturer may sign a DoC and apply the UKCA marking. The DoC is issued under the sole responsibility of the manufacturer.

**UK
CA**

TUV®

TÜV SÜD Certification and Testing (China) Co., Ltd. Floor 1-4, Building B, No.37, Tuanjie Road(Middle), Xishan Economic and Technological Development Zone, Wuxi, Jiangsu, P.R. China



China

Attestation of Conformity

No. N8AUK 120613 0003 Rev. 00

Model(s): **BY213-BS011, BY213-BS011-C, BY213-BS021, BY213-BS021-C, BY213-BS031, BY213-BS031-C, BY213-BS041, BY213-BS041-C**

Parameters:

Rated voltage: 250V~
 Rated frequency: 50Hz
 Rated current: 13A
 Protection class: I
 Degree of protection: IP20
 Type of cable: H05VV-F 3G1.0mm² or H05VV-F 3G1.25mm² or H05VV-F 3G1.5mm²

Remark: For BY213-BS011, BY213-BS021, BY213-BS031, BY213-BS041:
 USB rated output voltage:5.0VDC
 USB rated output current:
 Single Type A: 2.1A max
 Type A + Type A: 2.1A max

For BY213-BS011-C, BY213-BS021-C, BY213-BS031-C, BY213-BS041-C:
 USB rated output voltage:5.0VDC
 USB rated output current:
 Single Type A: 3.0A max
 Single Type C: 3.0A max
 Type A + Type C: 3.1A max
 USB rated output voltage:9.0VDC
 USB rated output current:
 Single Type A: 2.0A max
 Single Type C: 2.22A max
 USB rated output voltage:12.0VDC
 USB rated output current:
 Single Type A:1.5A max
 Single Type C: 1.67A max

Page 2 of 3

This Attestation does not replace the regulatory UK Declaration of Conformity (DoC) and does not allow for UKCA marking. After preparation of the necessary technical documentation and establishing compliance to requirements of all applicable regulations, the manufacturer may sign a DoC and apply the UKCA marking. The DoC is issued under the sole responsibility of the manufacturer.





China

Attestation of Conformity

No. N8AUK 120613 0003 Rev. 00

Model	Number of socket-outlets	With two USB ports, type A +type A	With two USB ports, type A +type C
BY213-BS011	1	Yes	No
BY213-BS011-C	1	No	Yes
BY213-BS021	2	Yes	No
BY213-BS021-C	2	No	Yes
BY213-BS031	3	Yes	No
BY213-BS031-C	3	No	Yes
BY213-BS041	4	Yes	No
BY213-BS041-C	4	No	Yes

**Tested
according to:**

BS 1363-2:2016/A1:2018

Page 3 of 3

This Attestation does not replace the regulatory UK Declaration of Conformity (DoC) and does not allow for UKCA marking. After preparation of the necessary technical documentation and establishing compliance to requirements of all applicable regulations, the manufacturer may sign a DoC and apply the UKCA marking. The DoC is issued under the sole responsibility of the manufacturer.



TÜV SÜD Certification and Testing (China) Co., Ltd. Floor 1-4, Building B, No.37, Tuanjie Road(Middle), Xishan Economic and Technological Development Zone, Wuxi, Jiangsu, P.R. China



Attestation of Compliance

Declaration No.: MK23110141P01-E01

Name and address of Applicant: **Shenzhen Hongzhengyu Technology Co., LTD**
Shenzhen baoan district rock street industrial science and technology industrial park of 2 Haitian lanyu 3 5 floor of A

Name and address of Manufacturer: **Shenzhen Hongzhengyu Technology Co., LTD**
Shenzhen baoan district rock street industrial science and technology industrial park of 2 Haitian lanyu 3 5 floor of A

Product name: **RGB package**

Rated: DC5V

Product model(s): HZY-5050RGB-30D-90R-DC5V, HZY-5050RGB-30D-30R-DC5V, HZY-5050RGB-60D-60R-DC5V, HZY-5050RGB-60D-180R-DC5V, HZY-5050RGB-18D-18R-DC5V

Product trademark: N/A

This Attestation of Compliance confirms that the product meets the requirements of the following standard.

BS EN IEC 55015:2019+A11:2020
IEC 61547:2020
BS EN IEC 61000-3-2:2019
BS EN 61000-3-3:2013/A2:2021

The Attestation of Compliance has been carried out in accordance with individual rules and conditions agreed with the applicant. Evaluation has been carried out in accordance with:

Test report(s) No.: MK23110141P01-E01

Test conducted by: TMC Testing Services (Shenzhen) Co., Ltd.

Declaration issue date: December 5, 2023

Notes:

This Attestation of Compliance is issued according to the Great Britain legislation Electromagnetic Compatibility Regulations 2016(SI 2016 No. 1091). It confirms that the listed products complies with all essential requirements of the Regulations and applies only to the sample and its technical documentation to TMC Testing Services (Shenzhen) Co., Ltd. for testing.

After preparation of the necessary technical documentation (which must be kept for up to 10 years after the product is placed on the GB market) as well as the UK Declaration of Conformity, the required UKCA marking can be affixed on the product. Other relevant Regulations have to be observed.

TMC Testing Services (Shenzhen) Co., Ltd.

t:86-755-86642861 cert@tmc-lab.com www.tmc-lab.com

1st Floor, Block A1, Zone A, Xinshidai Gongrong Industrial Park, No. 2, Shihuan Road, Shiyan Street, Baoan District, Shenzhen, China



Lab Director
Vivian Jiang

