
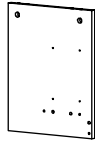
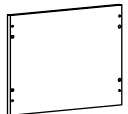
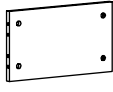
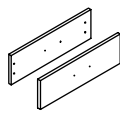
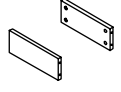
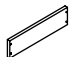
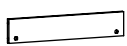
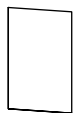
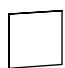




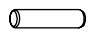
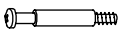

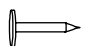

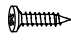



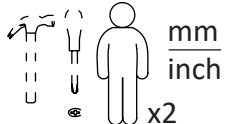


Ax1 	Bx1 	Cx1 	Dx1 	Fx2 	Gx4 
Hx2 	Ix1 	Jx2 	Kx2 	Lx2 	Mx2 
Nx2 	Ox2 	Px10 	Qx26 	Rx26 	Sx37 
Tx2 	Ux16  M3.5x $\frac{12}{0.5}$	Vx2 	Wx4 	Xx2 	 mm inch x2

