

# **INSTALLATION INSTRUCTION**

**HSK-WC-005**

**Dimension: 80.8×96.1×15.7inch**


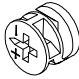
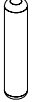
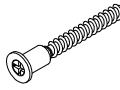


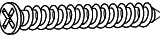

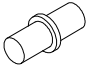


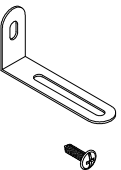
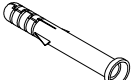
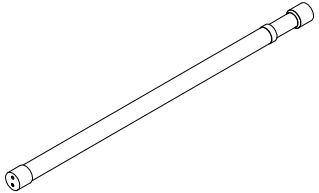
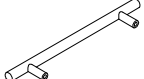

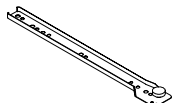
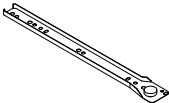
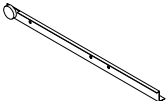
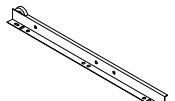
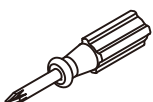
## Notice:

1. Follow the installation instructions. Please confirm all accessories are preset before installation.
2. Do not fully tighten the screws during initial assembly. Fully tighten screws only once all pieces which are correctly assembled.
3. If you have any problems during installation, refer to two solutions: Follow the installation video tutorial on the Amazon product page or contact our customer service.

## Return Policy:

We believe you will absolutely love your new item. But if for some reason you want to return, please contact us directly before you decide to return your product. Our customer service team can answer most concerns and assist you with any questions you may have about your new item, please email us firstly at:

[Servicehomelovers@hotmail.com](mailto:Servicehomelovers@hotmail.com)

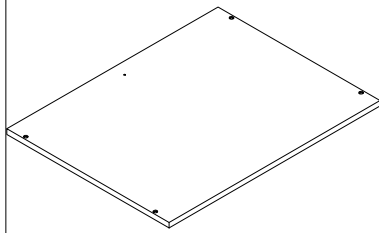
		 Ø6*30	 M5*40	 M3*12	
A×12	B×22	C×10	D×32	E×38	F×4
 M3.5*30	 Ø20				 M3.5*10
G×12	H×54	I×8	J×6	K×10	L×1
 M4*35			 		
M×9	N×4		O×3	CL×3	CR×3
					
DL×3	DR×3	TOOL			

  
5PCS

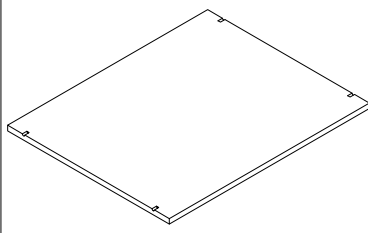
Spare parts for Pre-inserted Nuts, which are used for fastening "A" screw in case of missing inserting nuts by workers.

## Accessories List

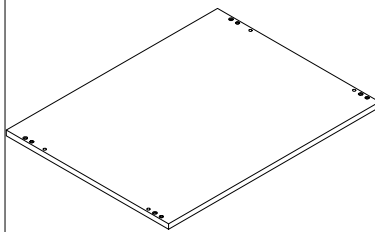
1



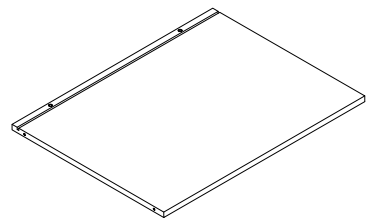
2



3

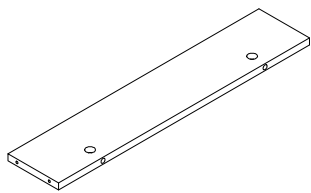


4

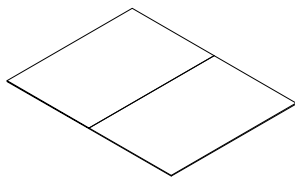


2 PCS

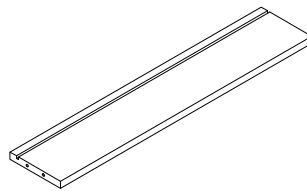
5



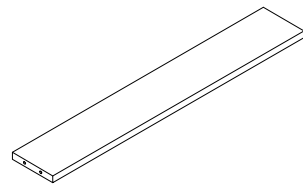
6



7

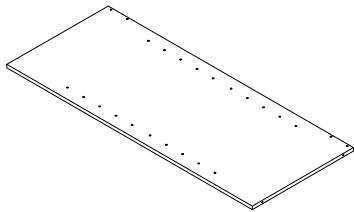


8

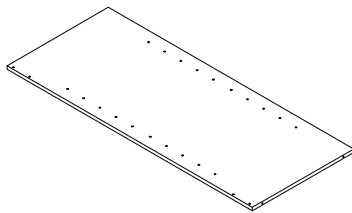


3 PCS

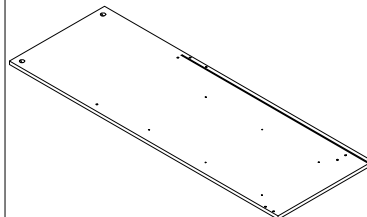
9



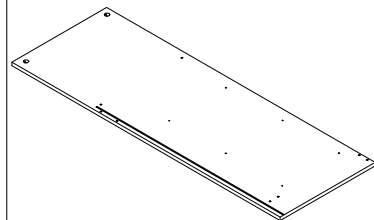
10



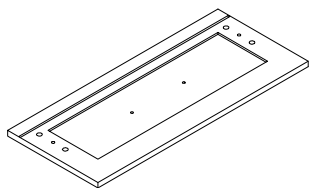
11



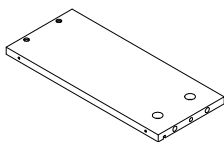
12



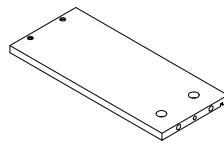
13



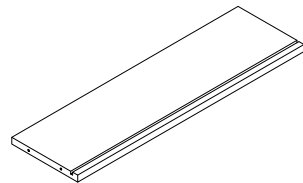
14



15



16



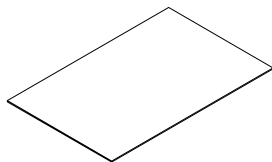
3 PCS

3 PCS

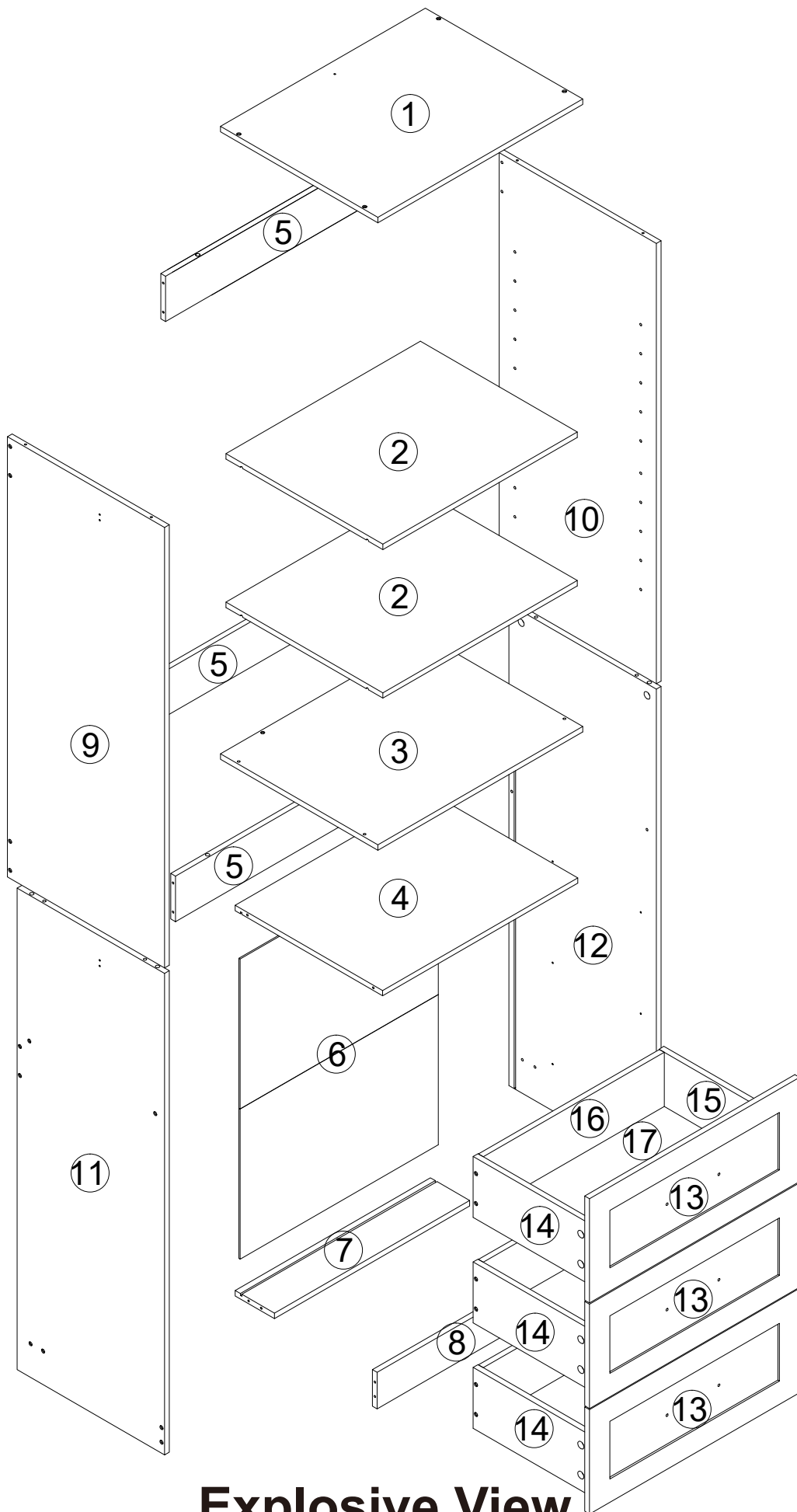
3 PCS

3 PCS

17

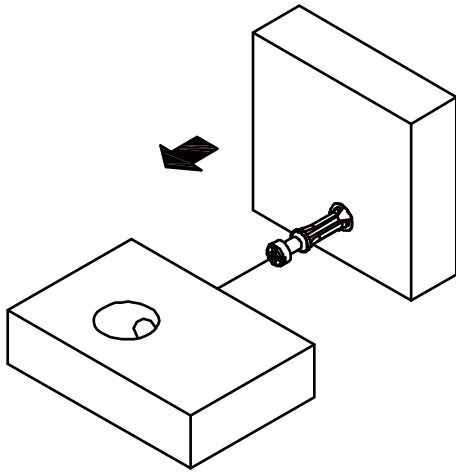


3 PCS

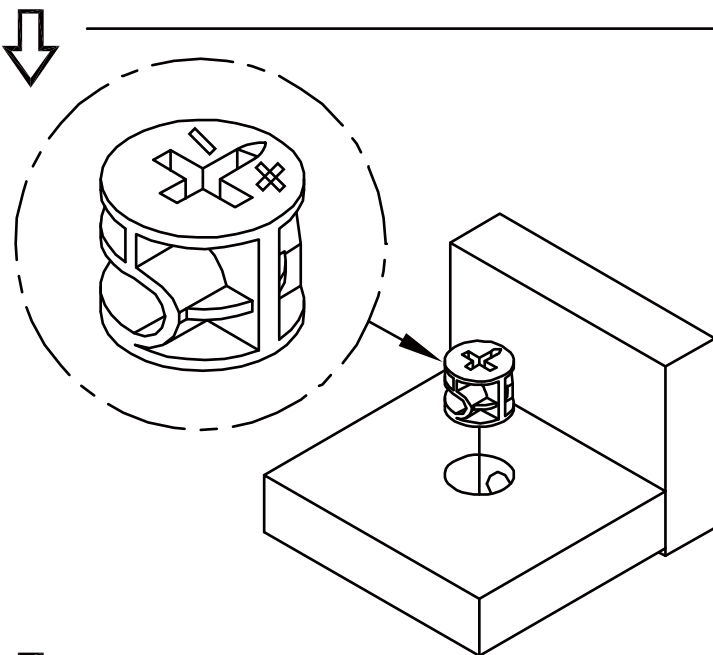


**Explosive View**

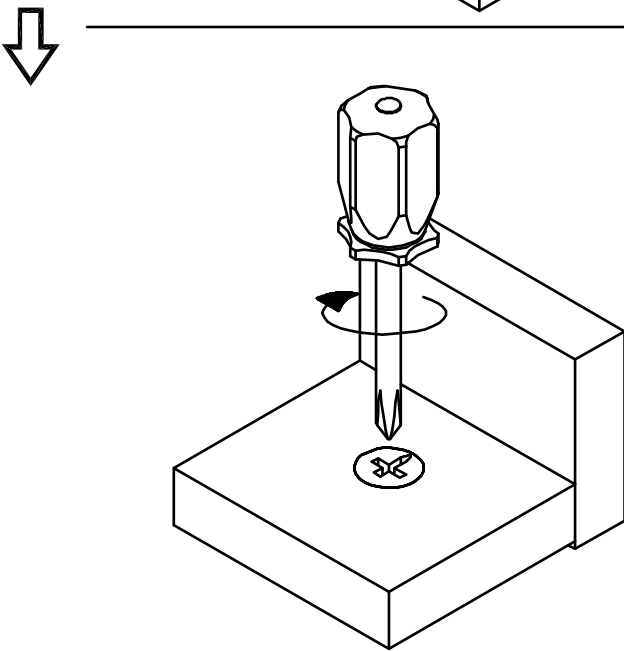
# Cam Lock Fastening System



1. Connect the two boards -Insert the long screw "A" into the holes on the other board.

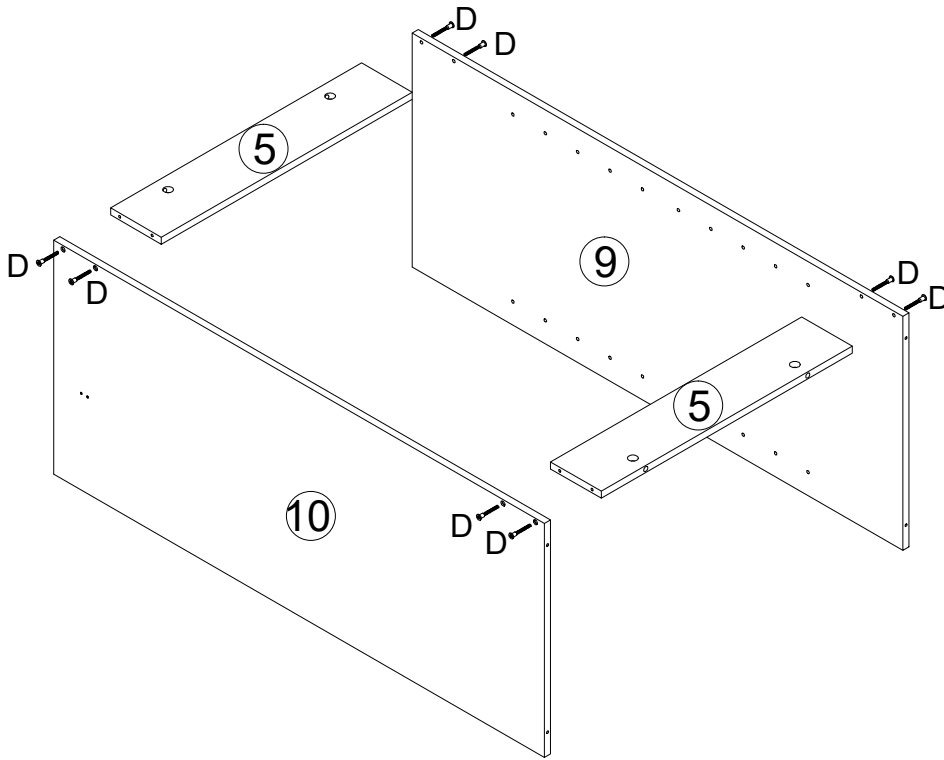


2. You can see the triangle "△" between "△" on hardware "B", insert the "B" as the image shows, please kindly note the direction of "△".



3. Use the tool to lock it.

# 1

**D**

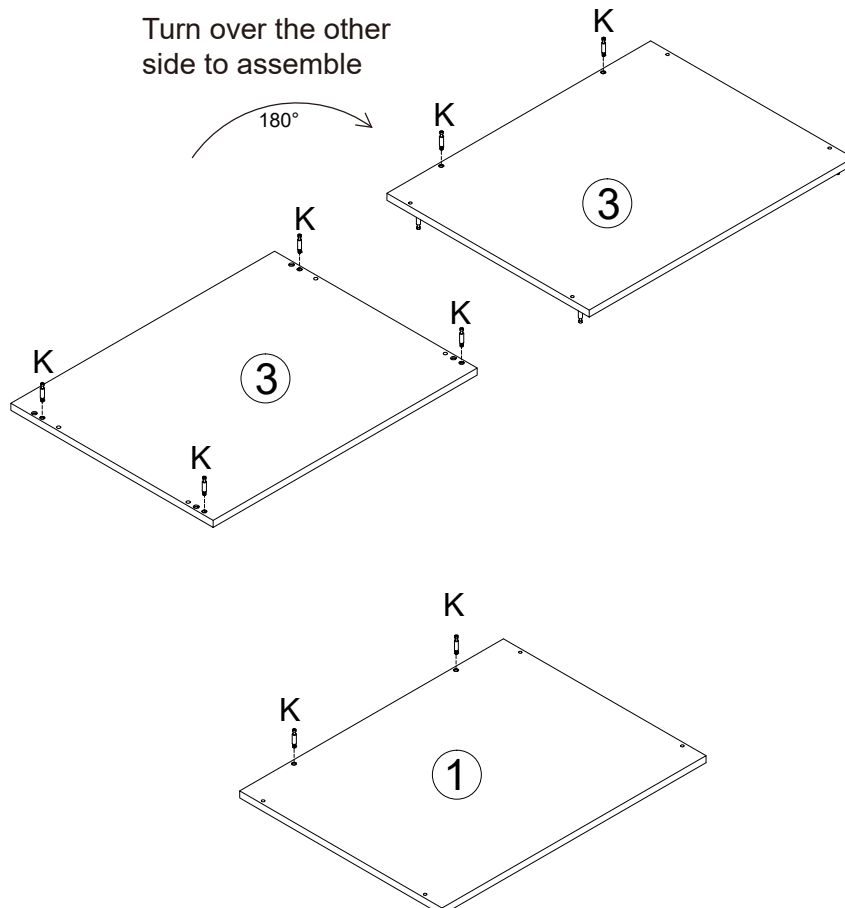
M5\*40



8PCS

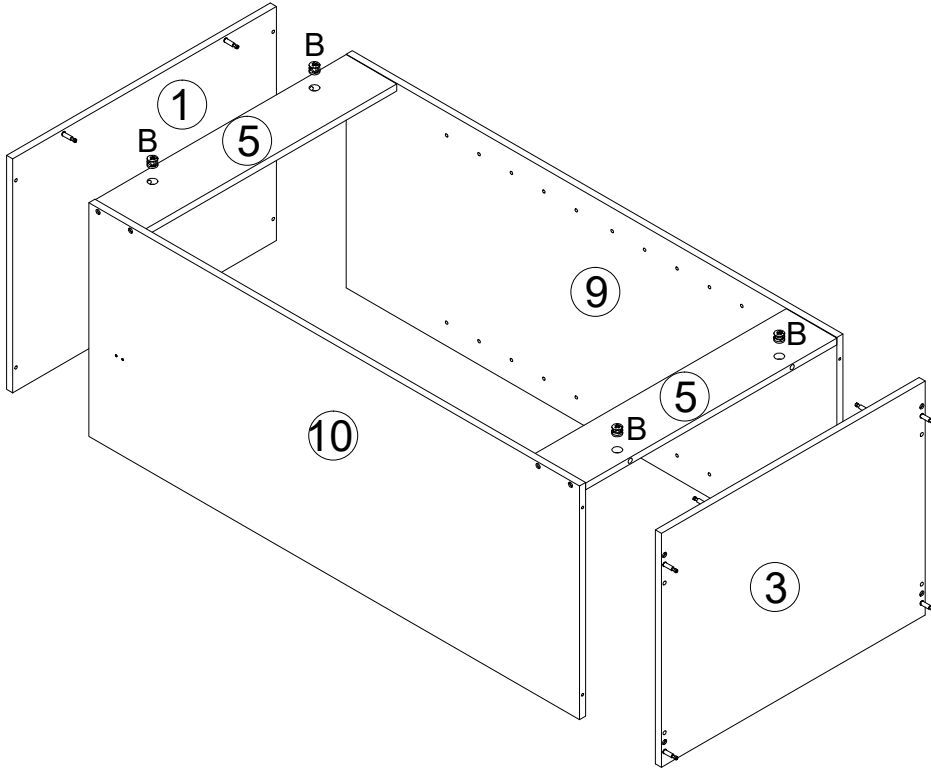
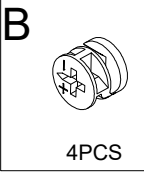
# 2

Turn over the other  
side to assemble

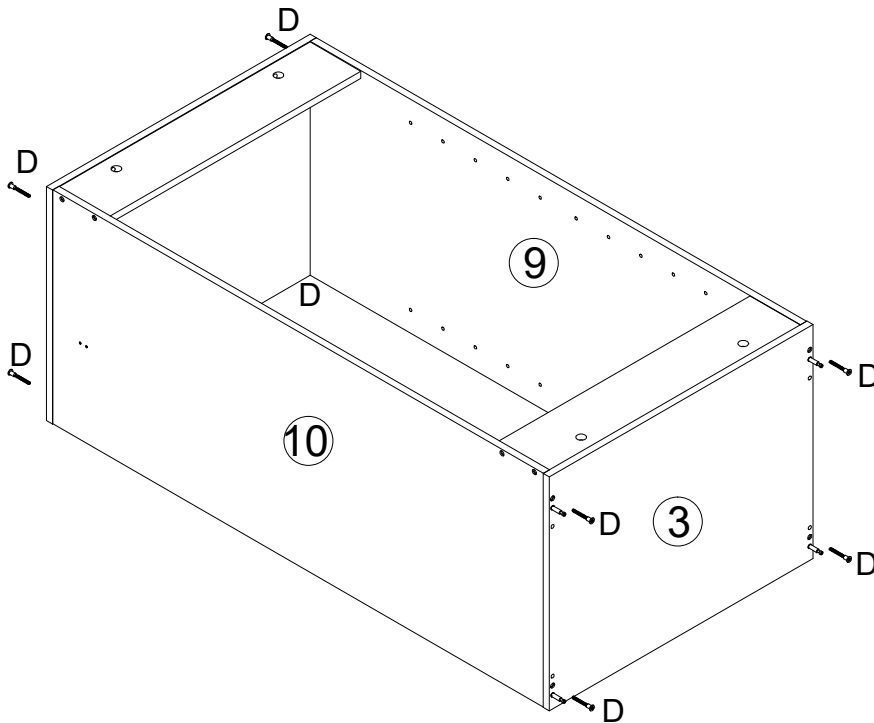
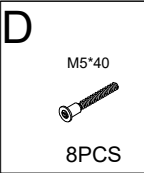
**K**

8PCS

# 3



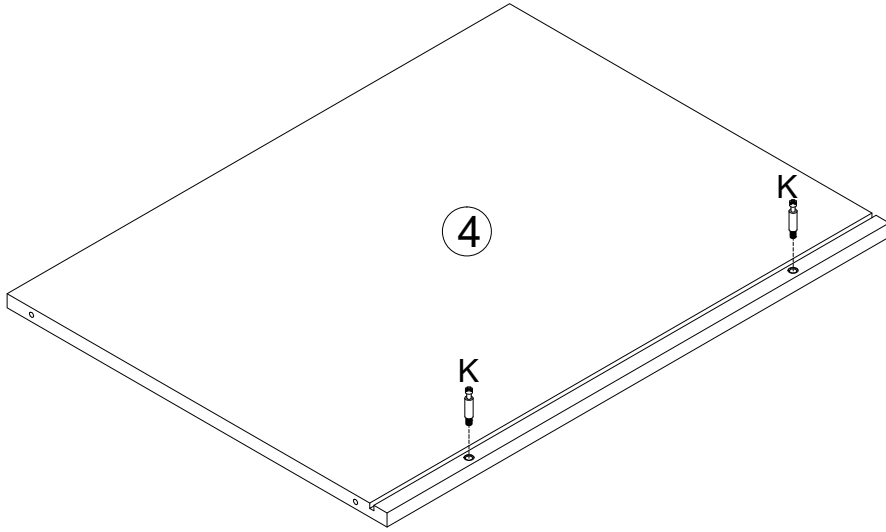
# 4



# 5

**K**

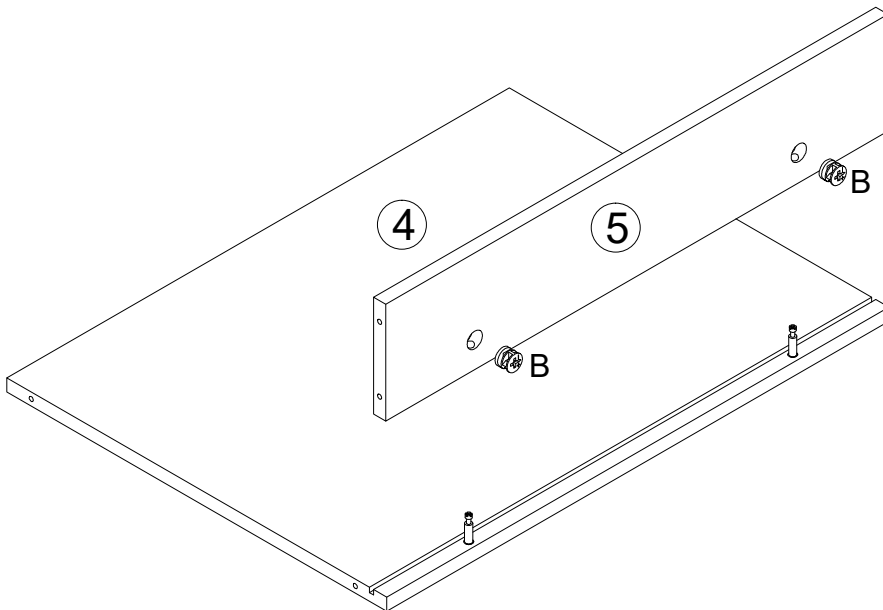
2PCS



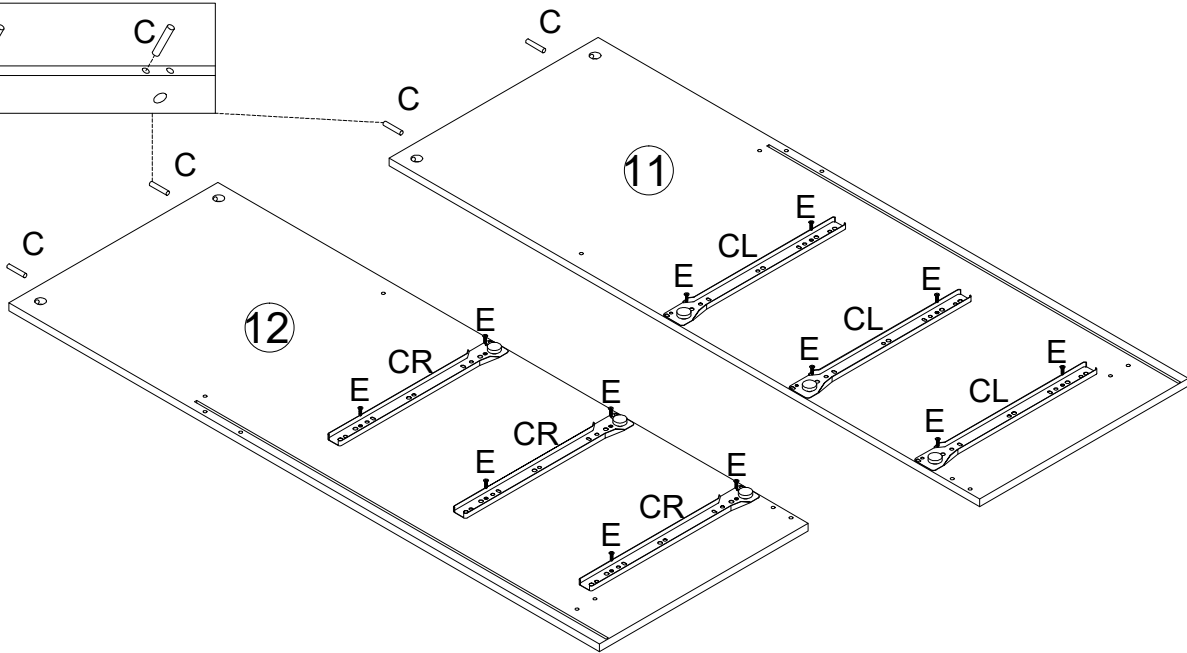
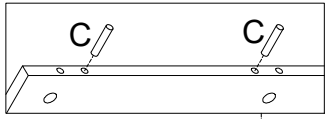
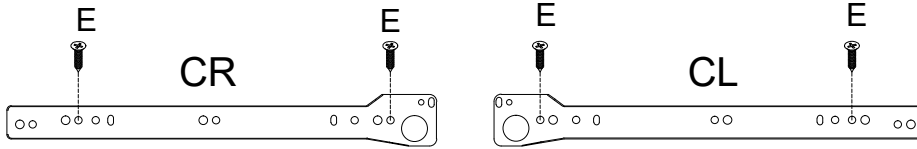
# 6

**B**

2PCS



# 7



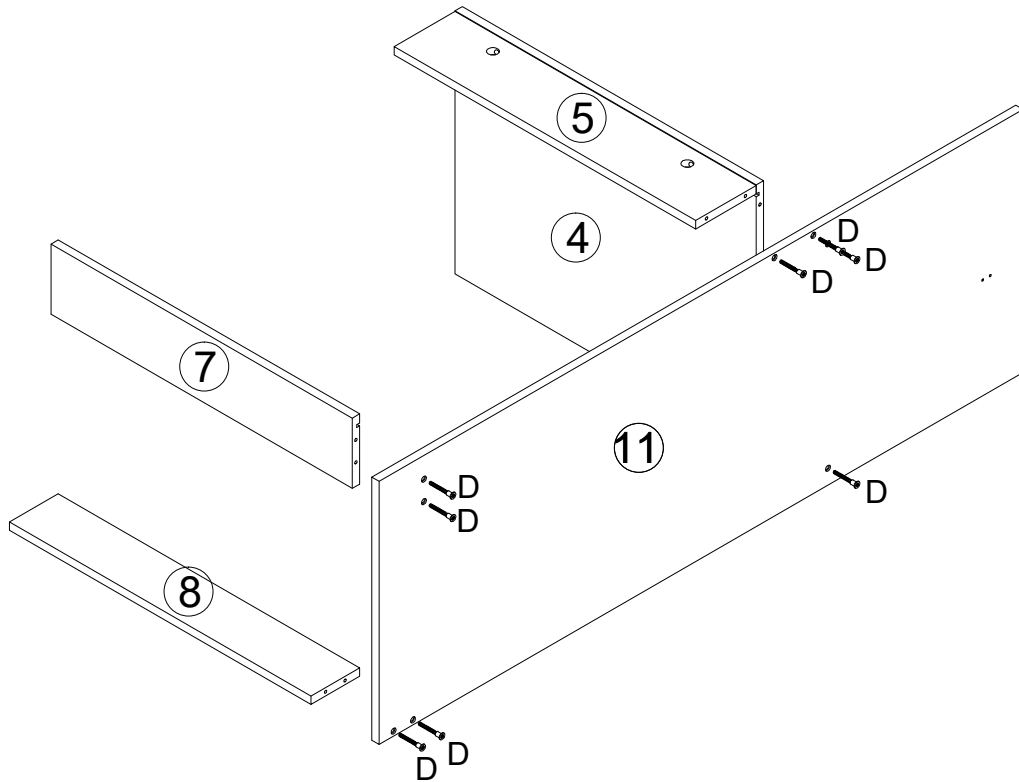
**C** Ø6\*30  
4PCS

**E** M3\*12  
12PCS

**CL**  
3PCS

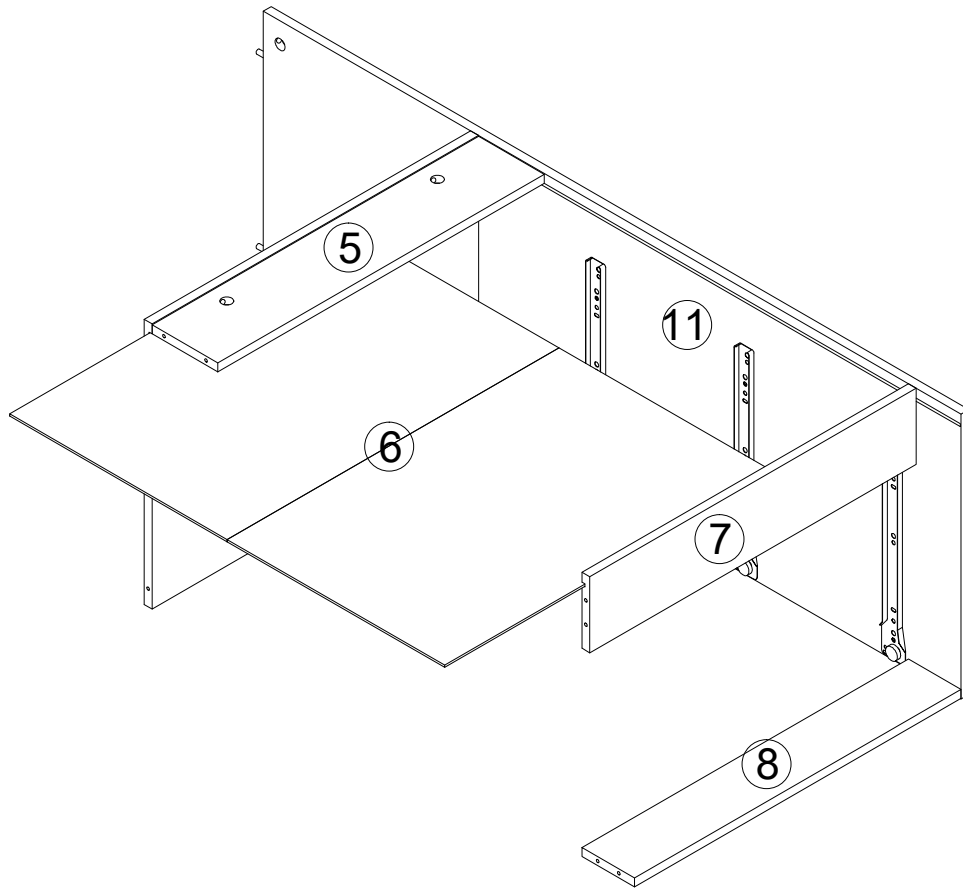
**CR**  
3PCS

# 8

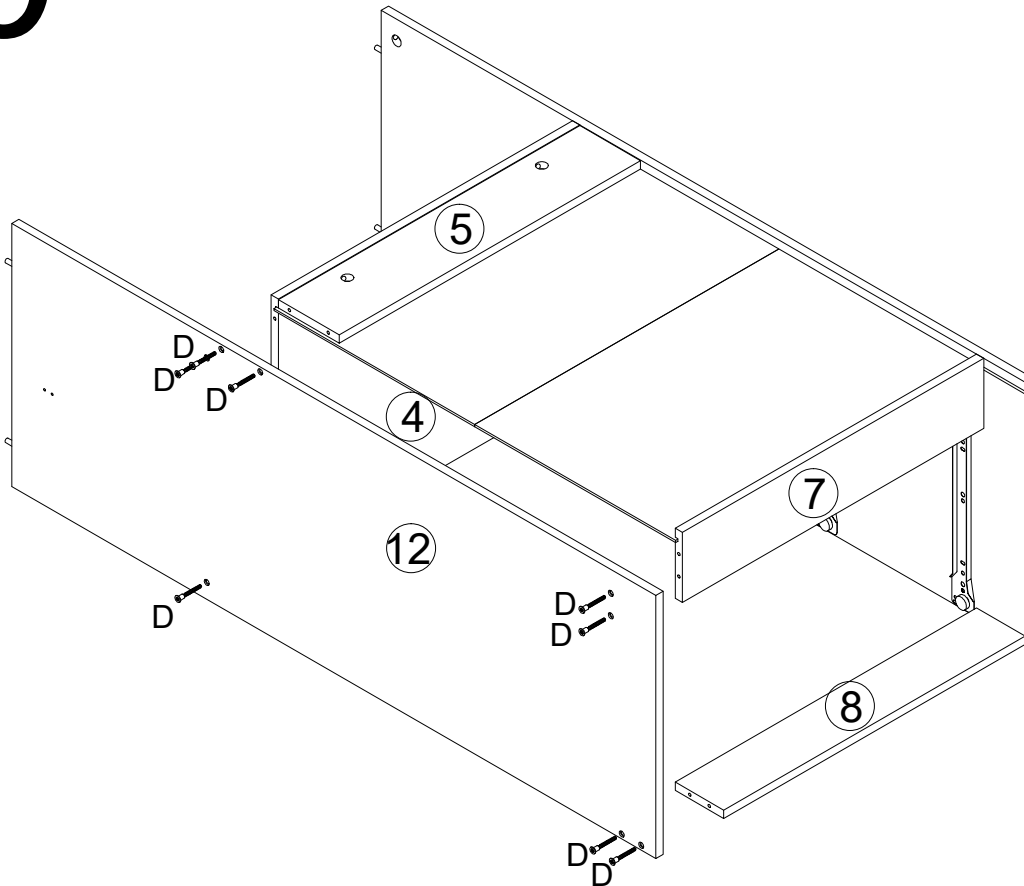


**D** M5\*40  
8PCS

# 9



# 10



D

M5\*40



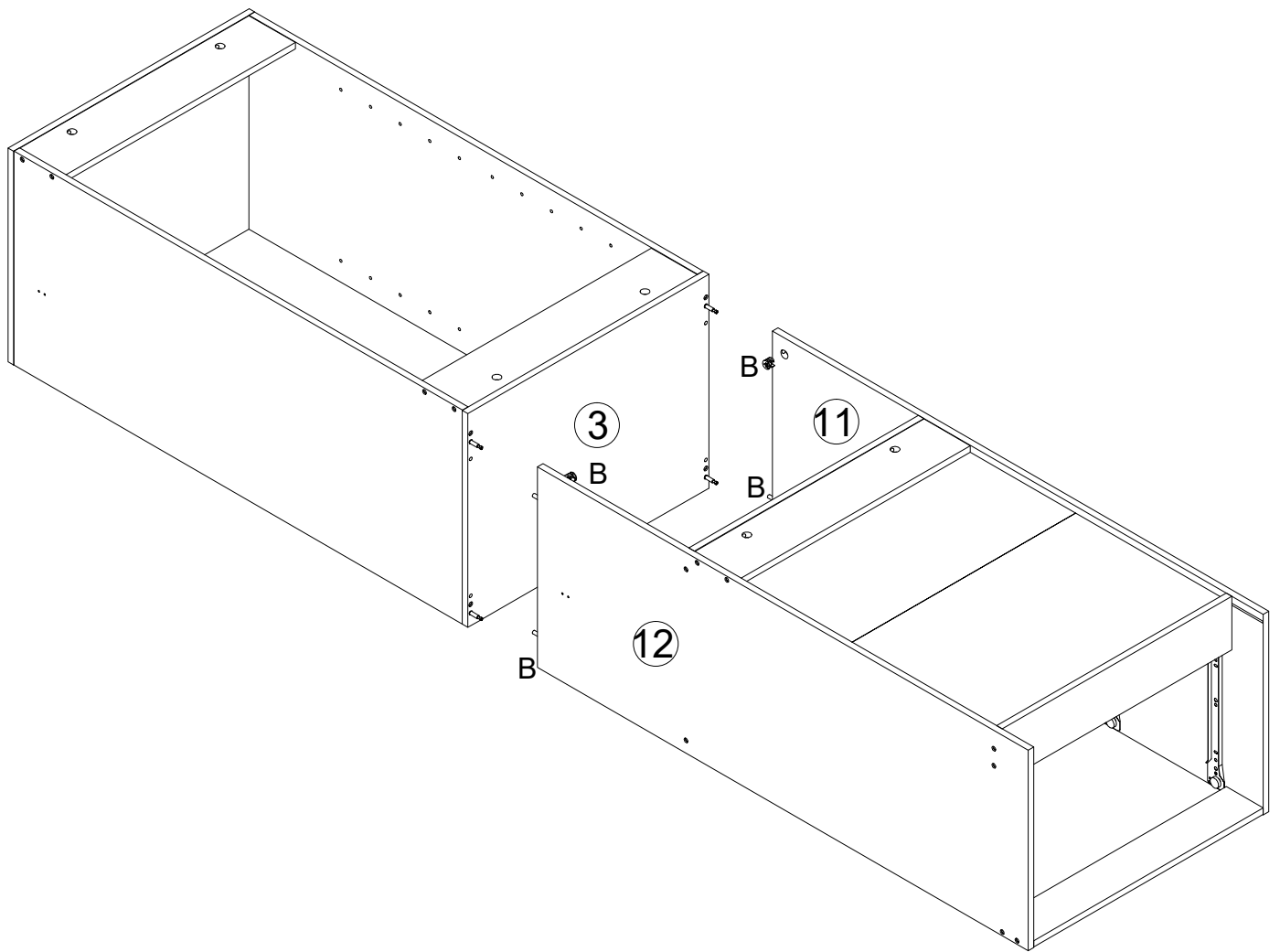
8PCS

# 11

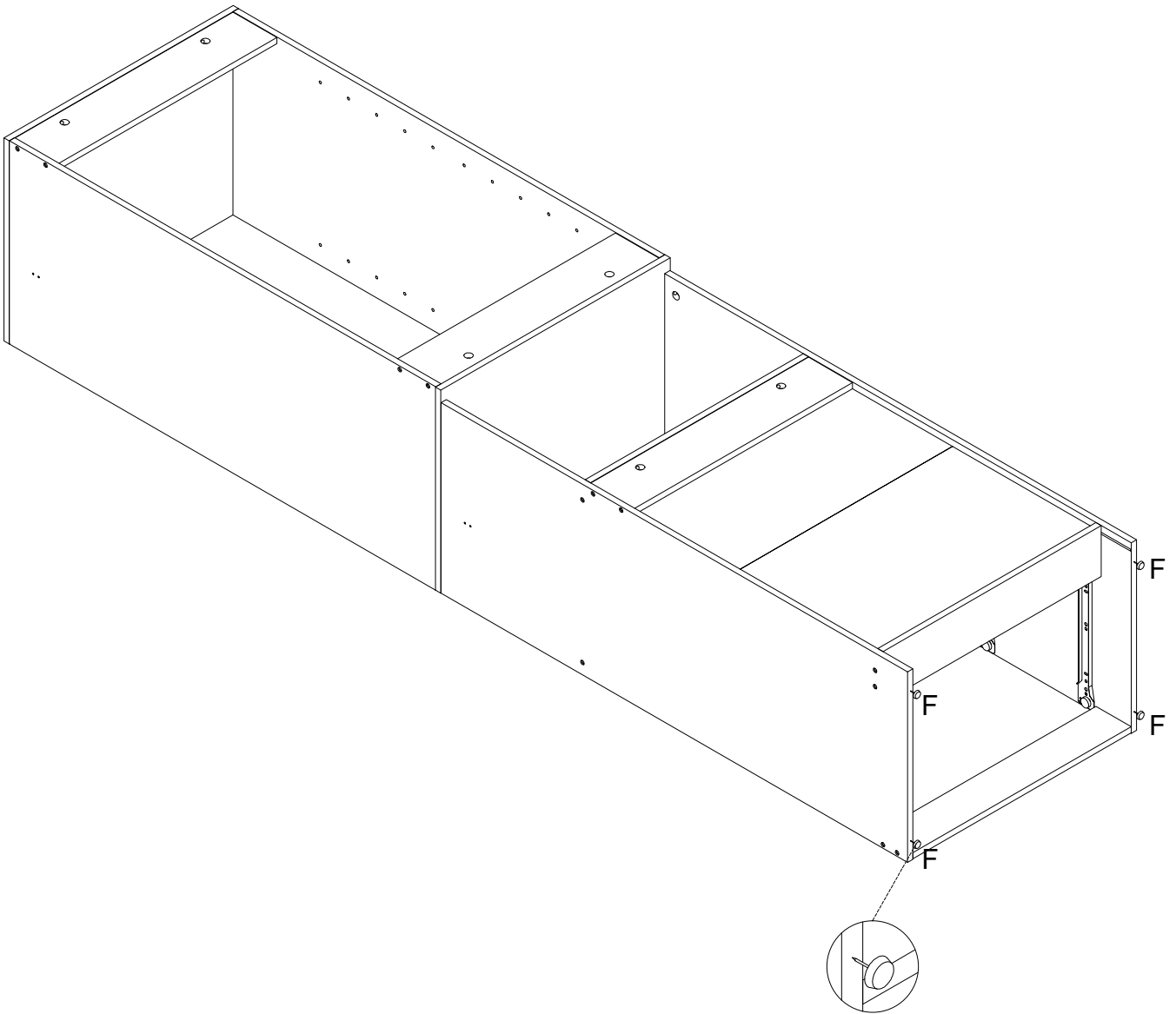
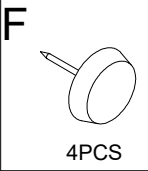
B



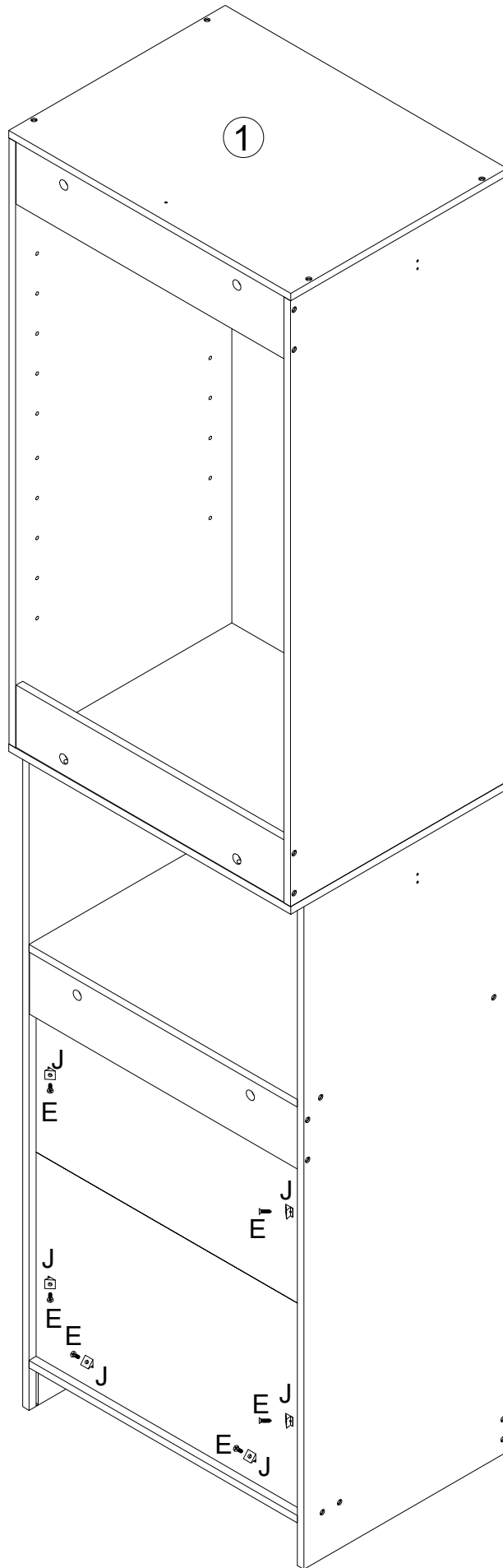
4PCS



# 12



# 13



**E**

M3\*12



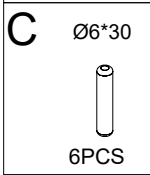
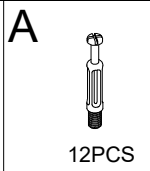
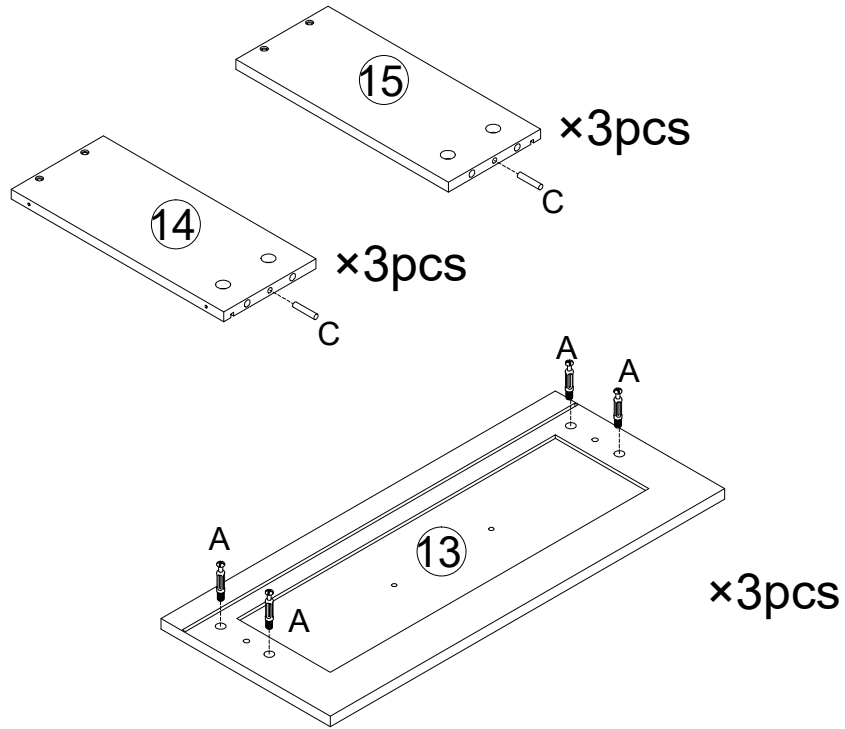
6PCS

**J**

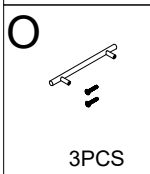
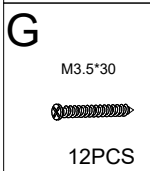
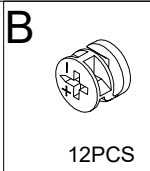
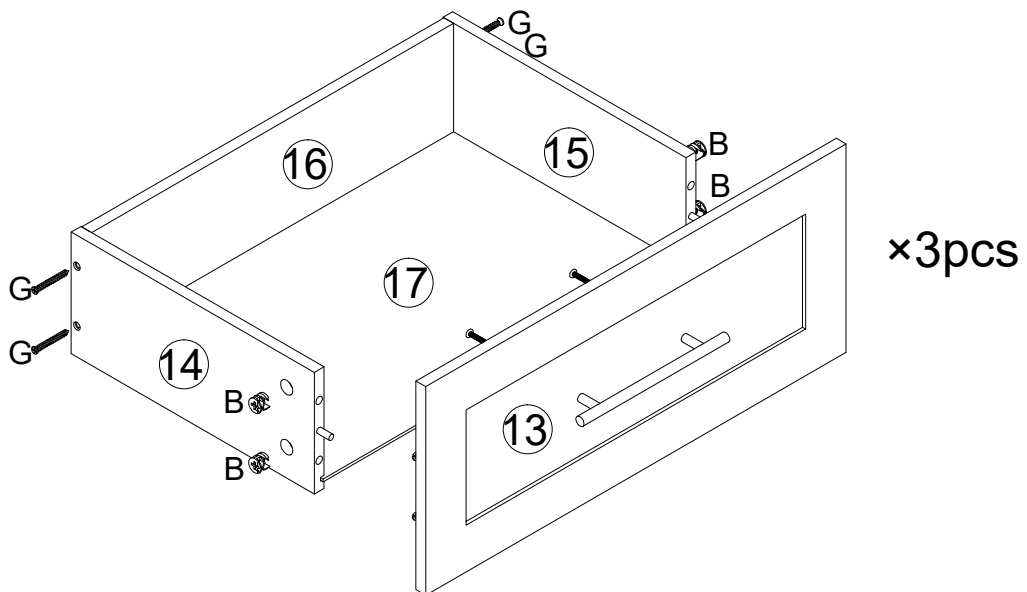


6PCS

# 14



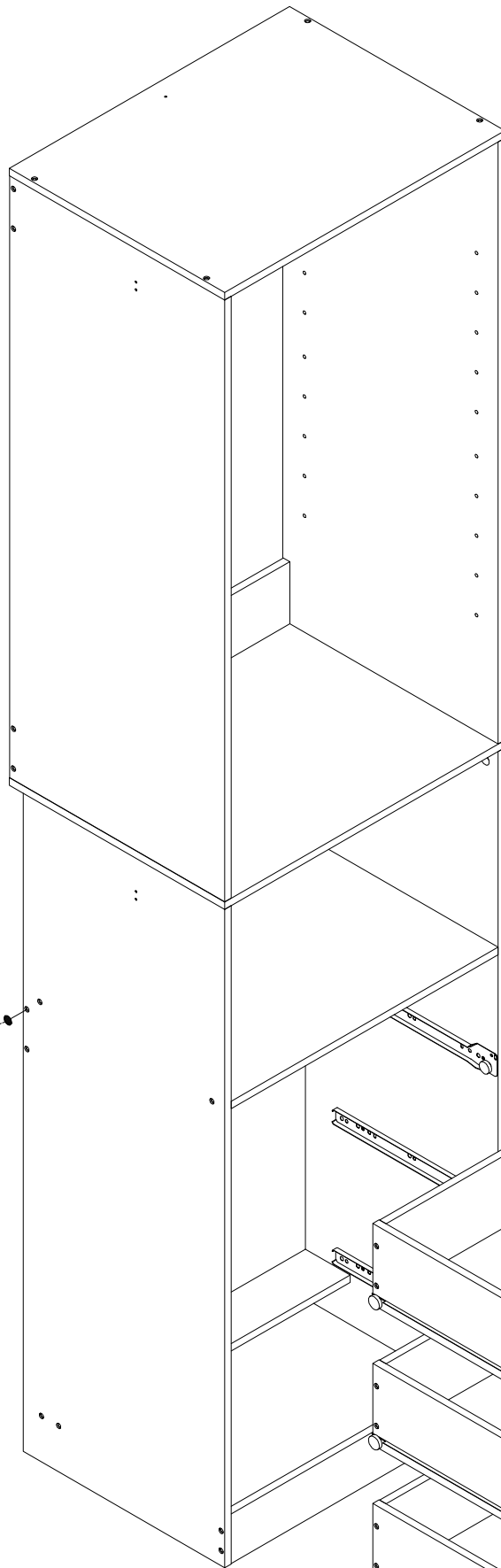
# 15



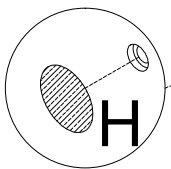
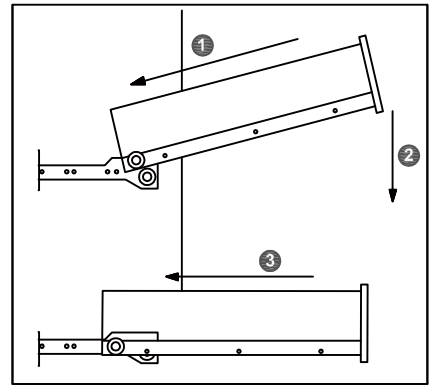


# 17

H  
Ø20  
54PCS



Insert the drawers obliquely

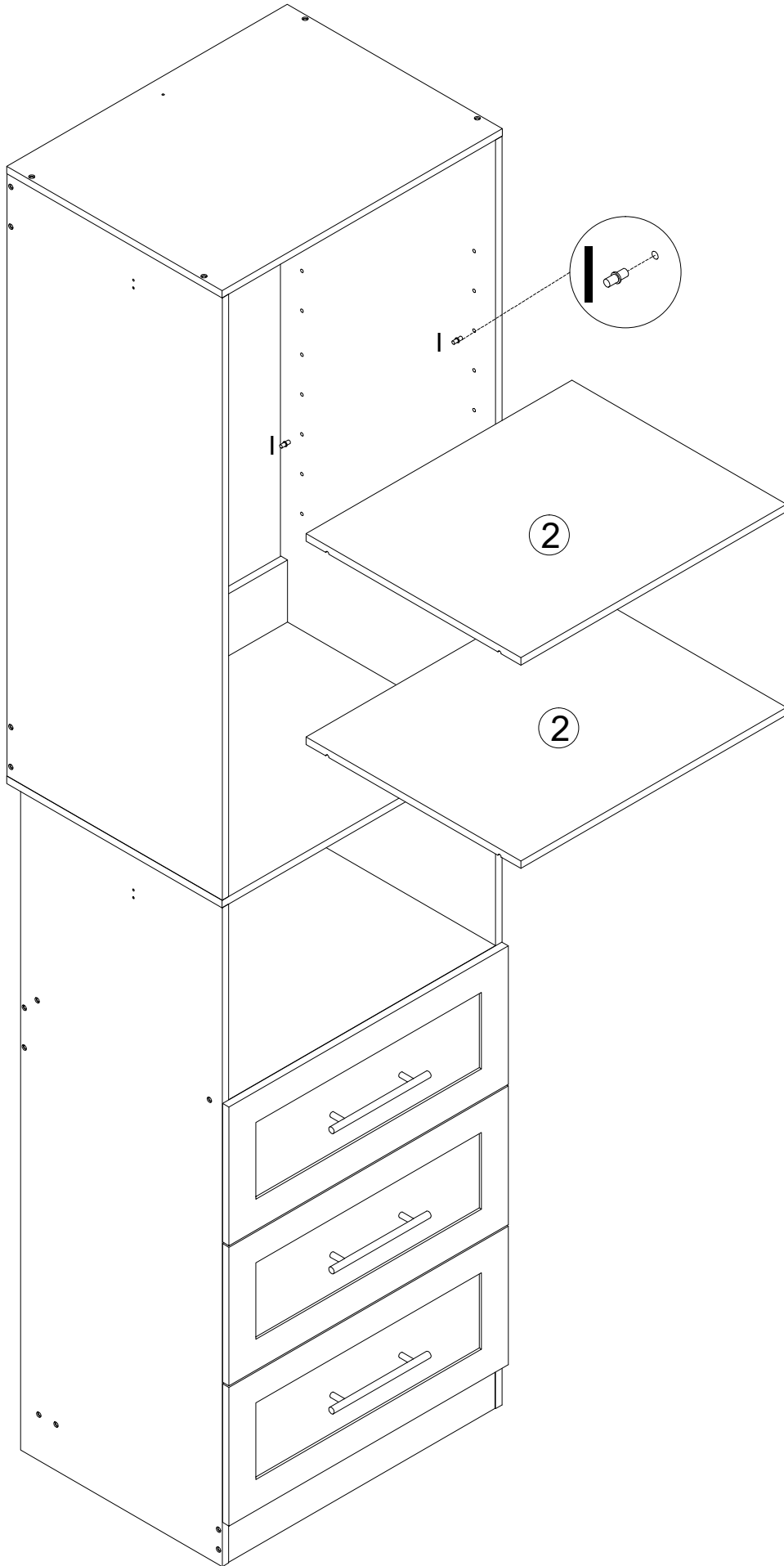


Sticking O sticker on all cam bolts makes this vanity set perfect.

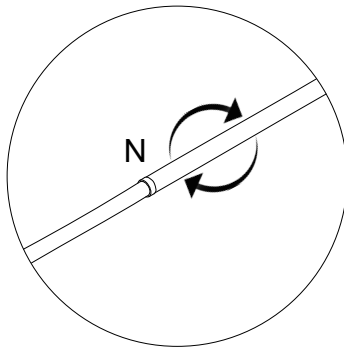
# 18



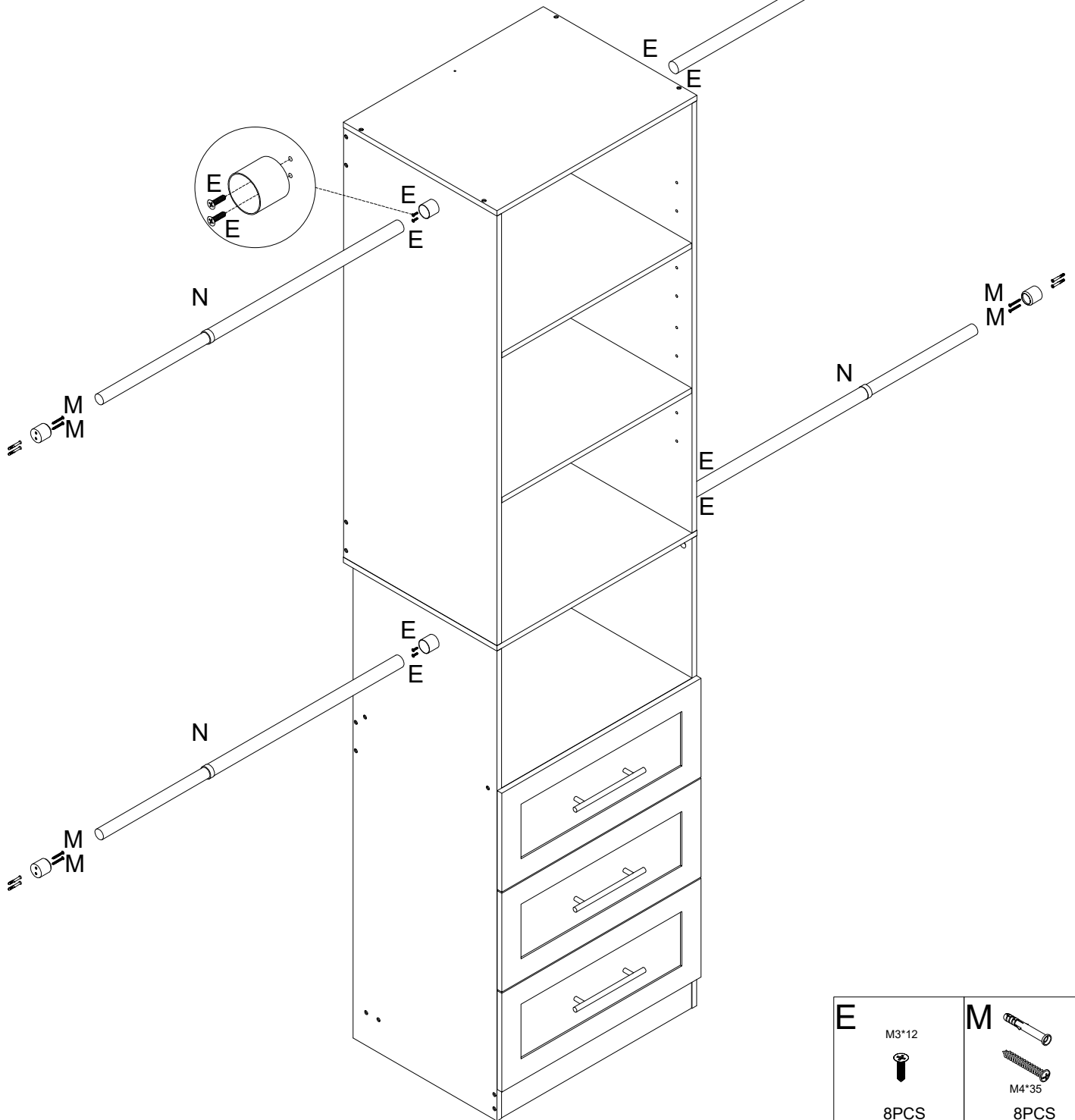
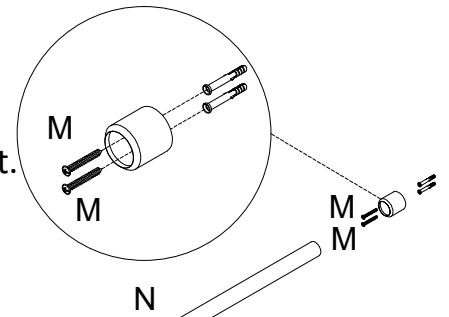
8PCS





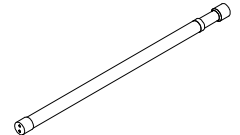
# 19



Rotate the rod clockwise to secure it, and rotate it counterclockwise to loosen it.



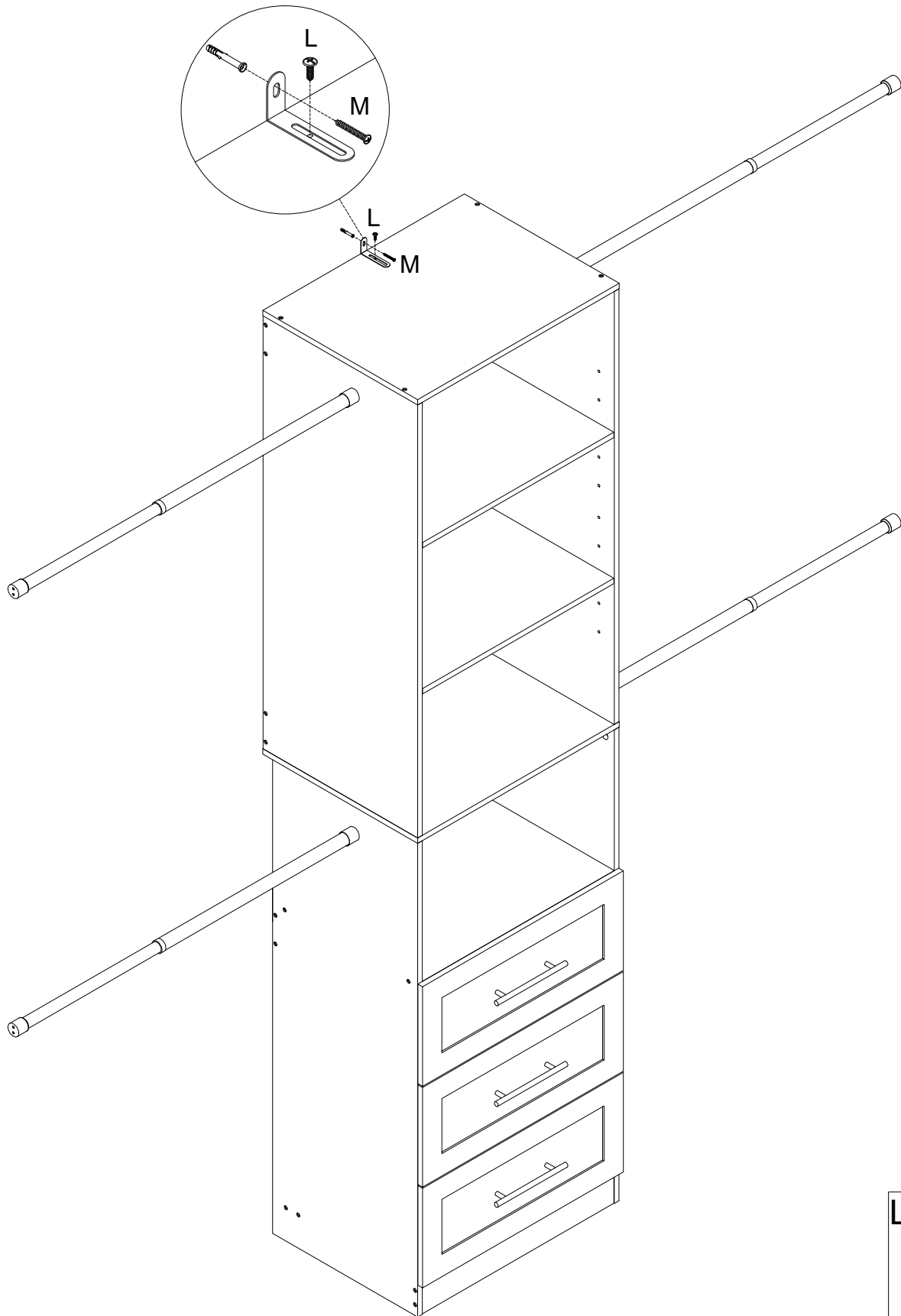
**IMPORTANT:** When using the adjustable closet rod, do not extend it to its maximum length. Always keep an overlap of at least 2.5 - 3.9 inches; otherwise, its load-bearing capacity will be reduced.





<b>E</b> M3*12  8PCS	<b>M</b>  M4*35 8PCS
<b>N</b>  4PCS	

# 20



Attention: For safety and stability, we suggest you have to secure the anti-tip accessories to the wall to prevent tipping, injury, and property damage.



<b>L</b>	
	
	M3.5*10
	1PC
<b>M</b>	
	
	M4*35
	1PC