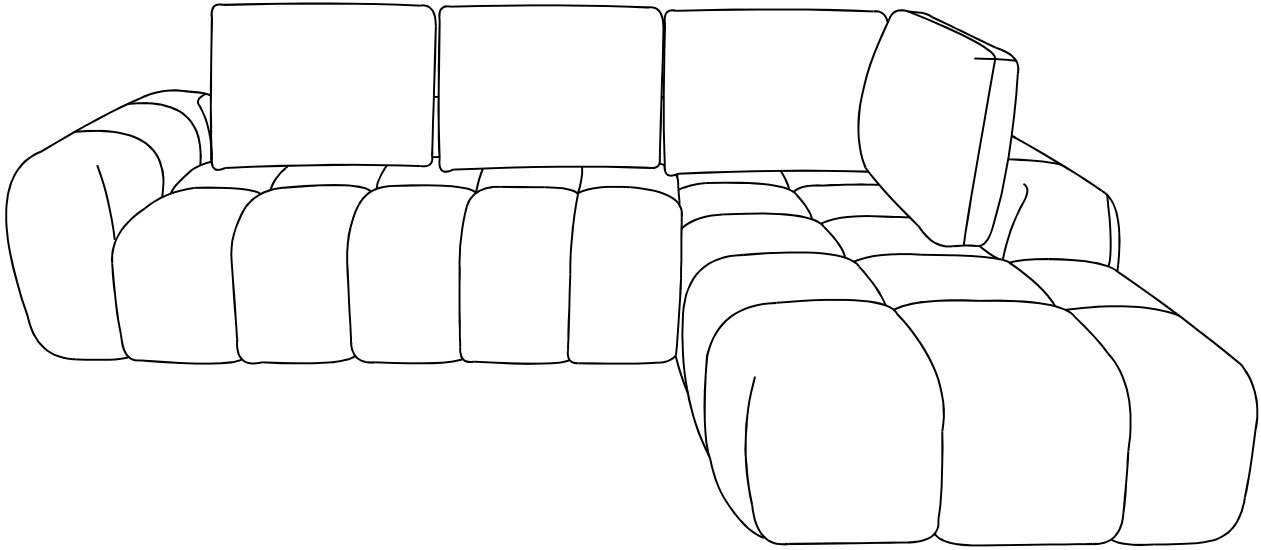


ASSEMBLY INSTRUCTION



Return & Warranty policy:

- We strive to offer the highest quality products, and we also try our best to satisfy each and every customer who orders from us with replacement parts or services as needed.
- If the item is damaged or defective, please take photos as evidence for replacements and refunds.
- Please do not return to store, contact the seller if you have any trouble with this product.

Page : 1 of 8

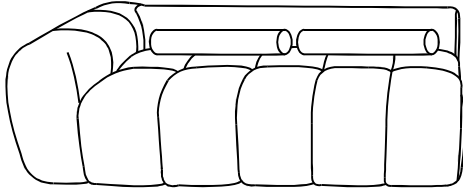
TIPS

1. Due to differences of light effects, the actual color of the materials might be slightly different from the pictures.
2. No Assembly Required. This sofa can free you from the stereotyped nightmare of furniture assembly.
3. Due to package compression for better shipment, the fabric may have wrinkles.
4. Please take all packages out and pat every part to make it rebound better and fluffier, so that it can restore to picture-like status.
5. Please keep children away from the plastic bags.

Page : 2 of 8

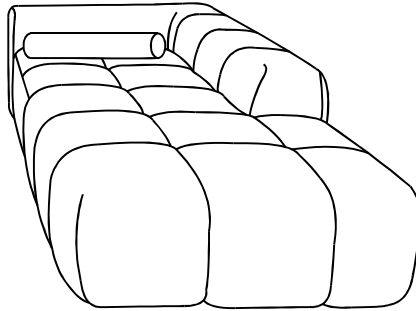
ASSEMBLY PART

A.



1PC

B.



1PC

C.



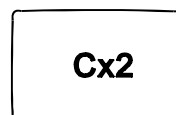
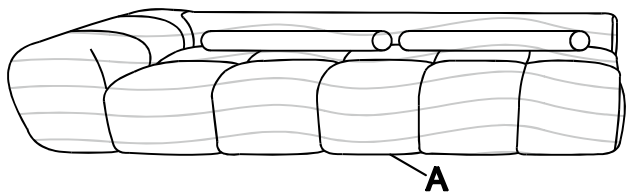
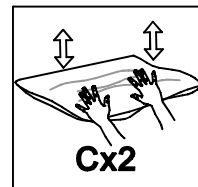
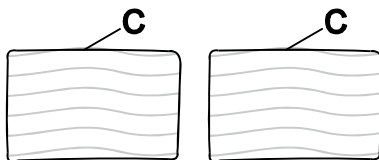
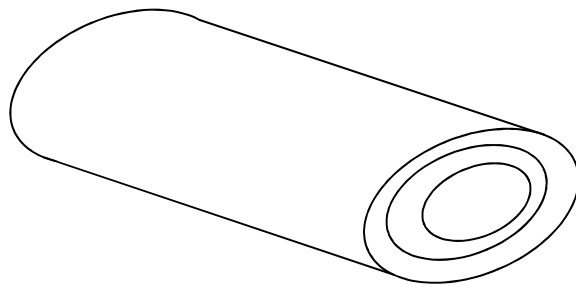
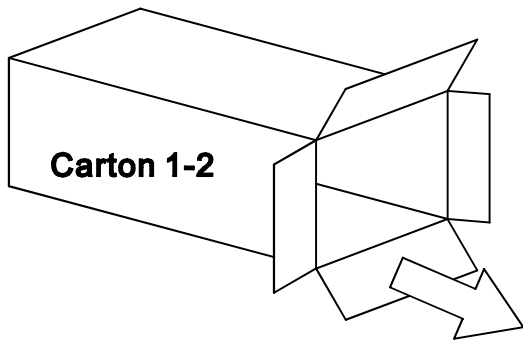
4PCS

Page : 3 of 8

ASSEMBLY INSTRUCTION

STEP 1:
Take out the sofa body and cushions from box.

Cartong 1/2



Tap the pillow and back cushion according to the picture.

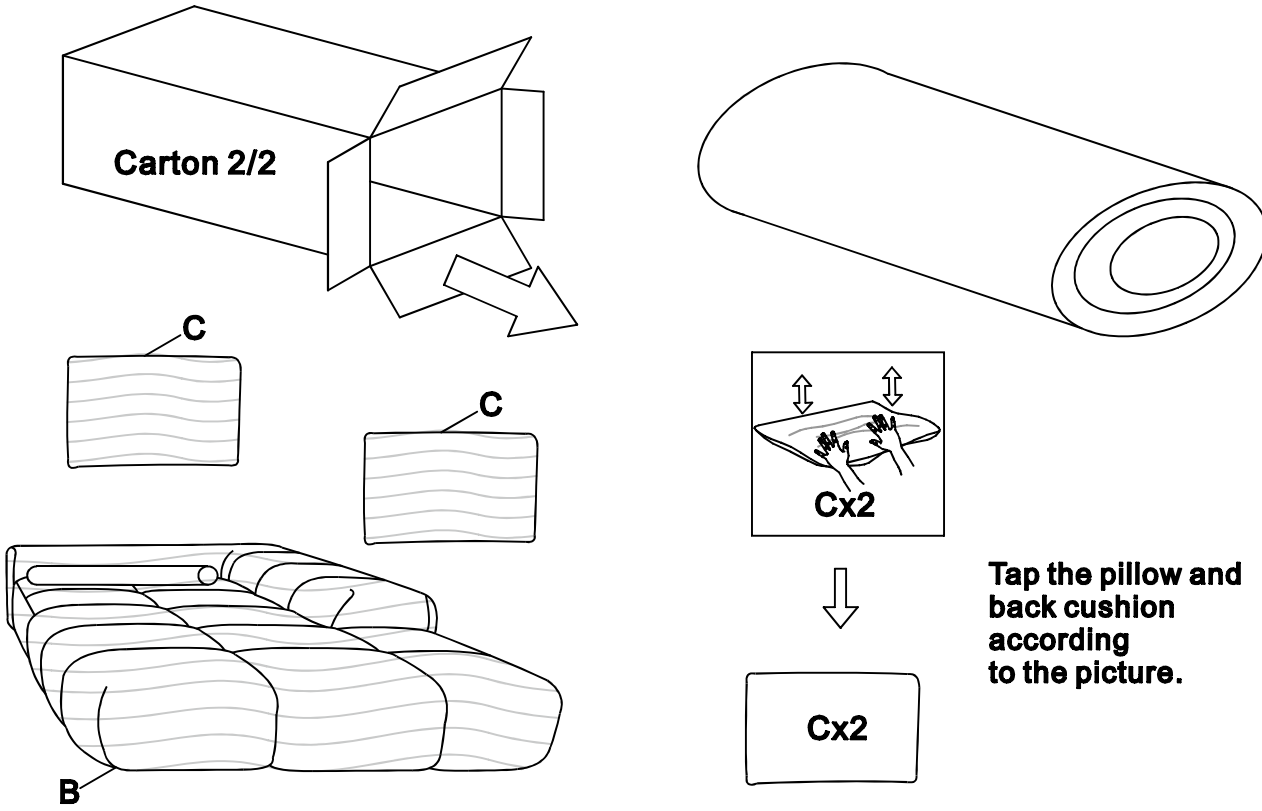
Packing List

Page : 4 of 8

ASSEMBLY PART

STEP 2:
Take out the sofa body and cushions from box.

Cartong 2/2



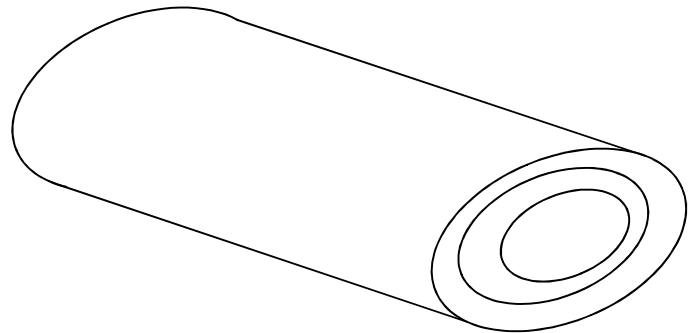
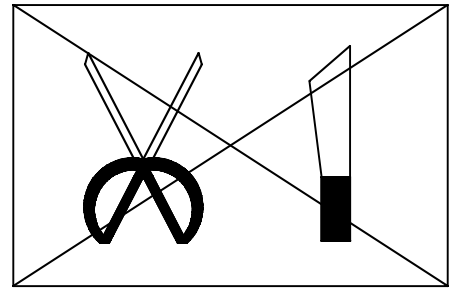
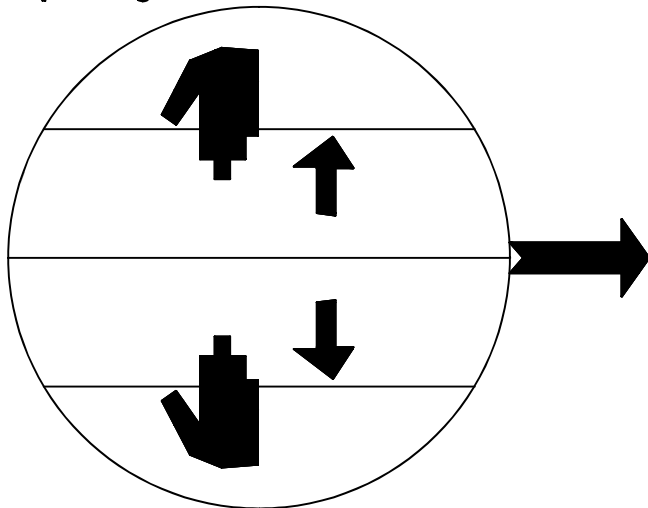
Tap the pillow and back cushion according to the picture.

Packing List

Page : 5 of 8

ASSEMBLY INSTRUCTION

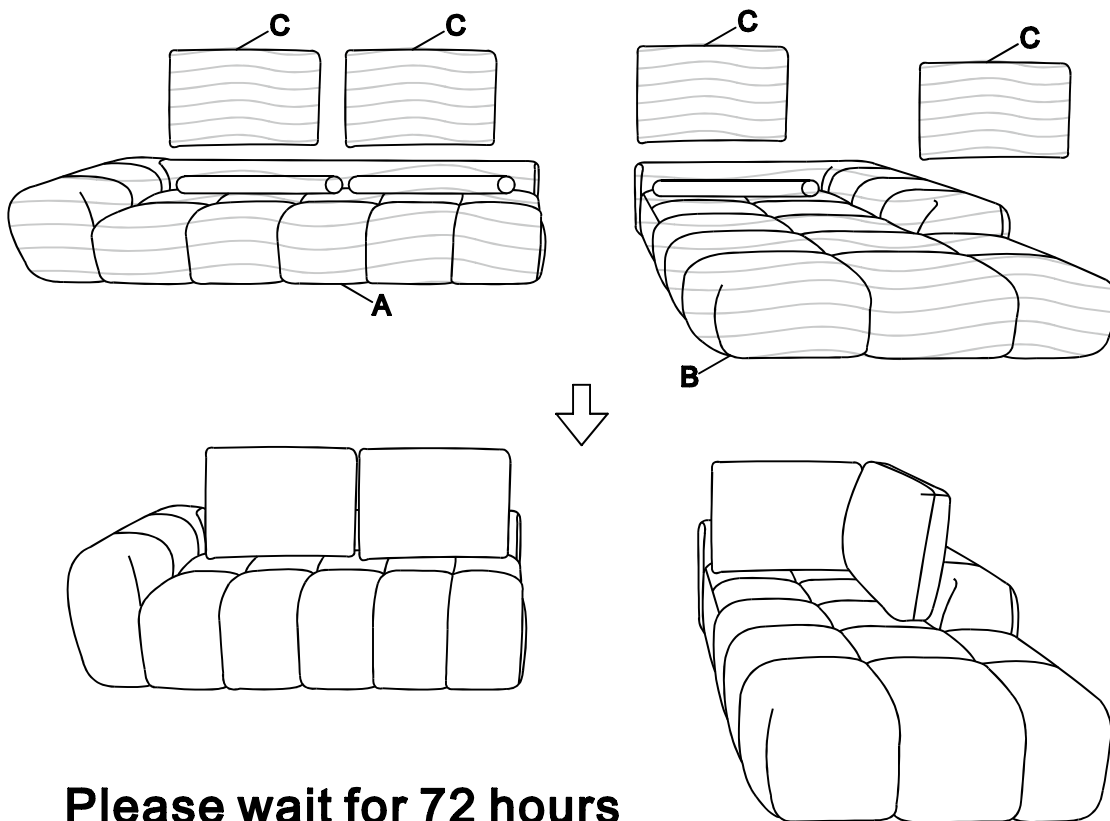
STEP 3:
Open the package.



Page : 6 of 8

ASSEMBLY INSTRUCTION

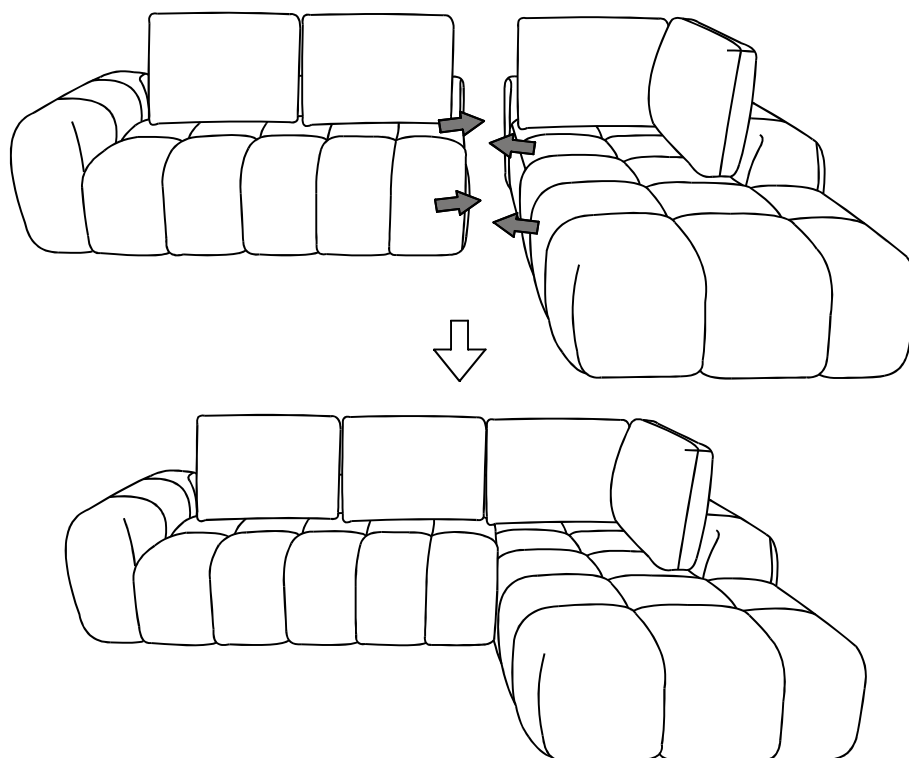
STEP 4:
Wait for the sofa to spring back to its original state.



Page : 7 of 8

ASSEMBLY INSTRUCTION

STEP 5:



COMPLETE!

Page : 8 of 8