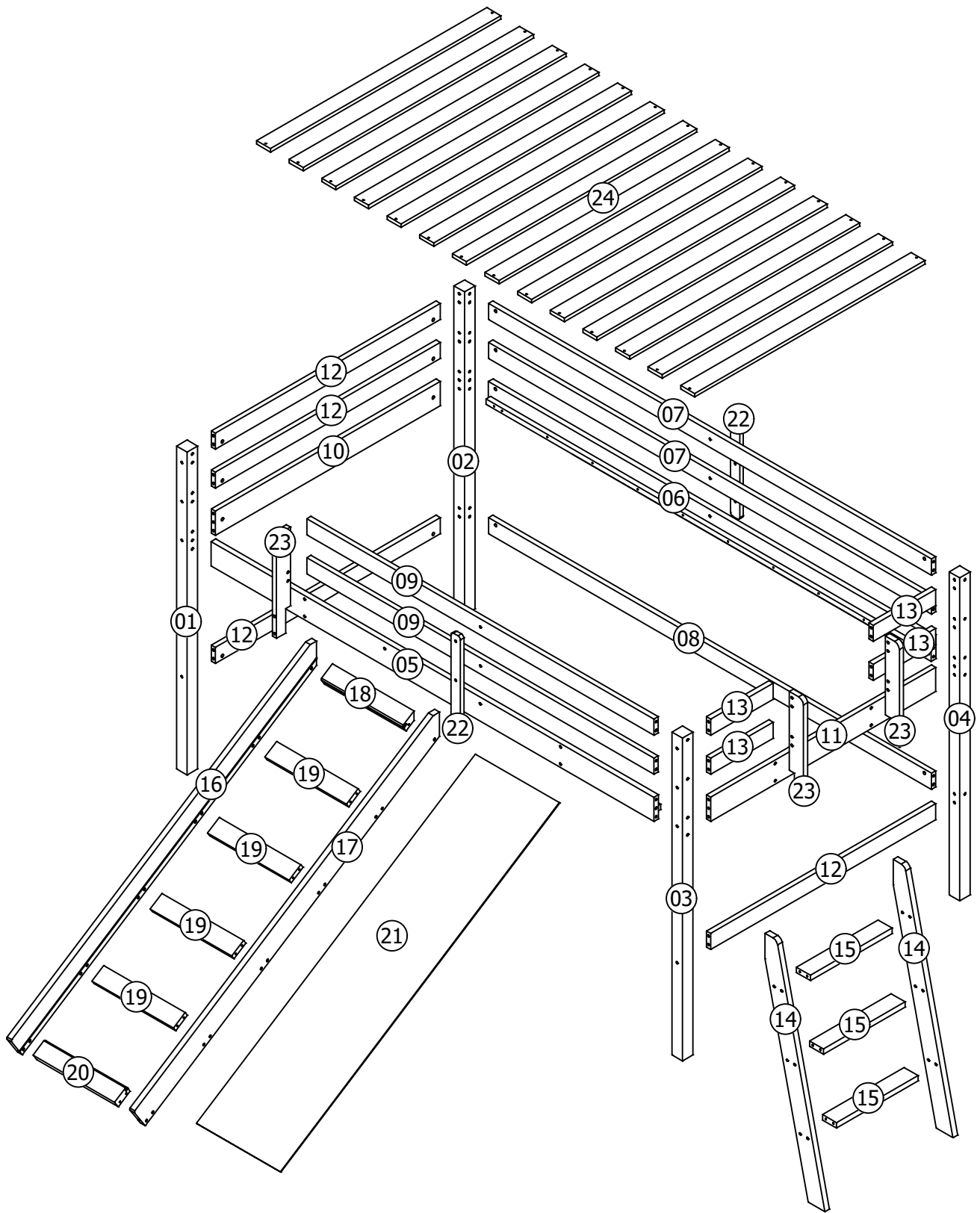
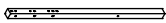

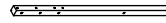

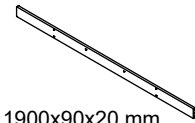
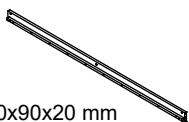
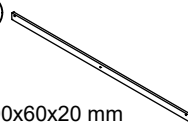
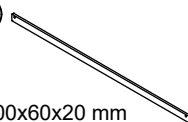
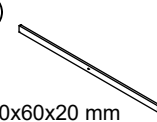
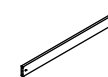


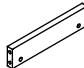

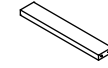
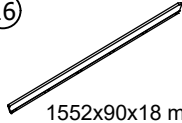
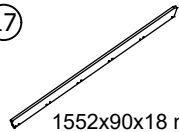



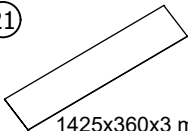



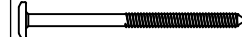



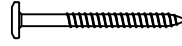
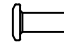


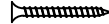


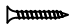



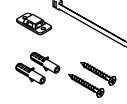


IDENTIFY PARTS



PART LIST

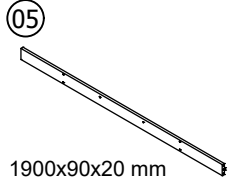
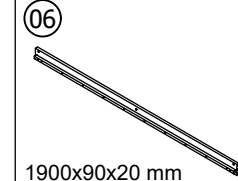
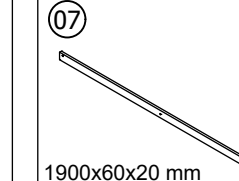
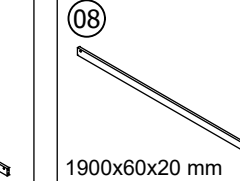
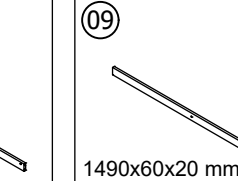
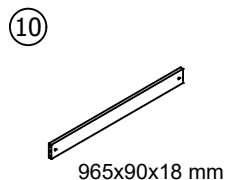
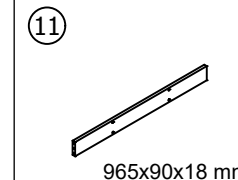
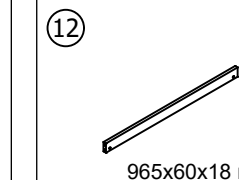
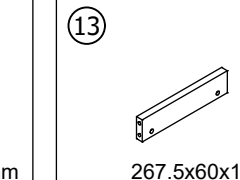
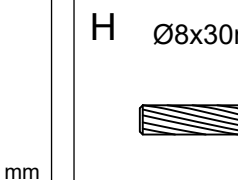
New panels & accessories needed in below step.

<p>01</p>  <p>1200x45x45 mm</p> <p>Bed Leg (x1)</p>	<p>02</p>  <p>1200x45x45 mm</p> <p>Bed Leg (x1)</p>	<p>03</p>  <p>1200x45x45 mm</p> <p>Bed Leg (x1)</p>	<p>04</p>  <p>1200x45x45 mm</p> <p>Bed Leg (x1)</p>	<p>05</p>  <p>1900x90x20 mm</p> <p>Side Support Bar(x1)</p>
<p>06</p>  <p>1900x90x20 mm</p> <p>Side Support Bar(x1)</p>	<p>07</p>  <p>1900x60x20 mm</p> <p>Long Side Beam(x2)</p>	<p>08</p>  <p>1900x60x20 mm</p> <p>Long Side Beam(x1)</p>	<p>09</p>  <p>1490x60x20 mm</p> <p>Short Side Beam(x2)</p>	<p>10</p>  <p>965x90x18 mm</p> <p>End Board (x1)</p>
<p>11</p>  <p>965x90x18 mm</p> <p>End Board (x1)</p>	<p>12</p>  <p>965x60x18 mm</p> <p>Horizontal Bar (x4)</p>	<p>13</p>  <p>267.5x60x18 mm</p> <p>Horizontal Bar (x4)</p>	<p>14</p>  <p>940x70x18 mm</p> <p>Ladder Leg (x2)</p>	<p>15</p>  <p>350x60x20 mm</p> <p>Ladder Step (x3)</p>
<p>16</p>  <p>1552x90x18 mm</p> <p>Left Slide Side (x1)</p>	<p>17</p>  <p>1552x90x18 mm</p> <p>Right Slide Side (x1)</p>	<p>18</p>  <p>350x60x30 mm</p> <p>Head Support (x1)</p>	<p>19</p>  <p>350x60x18 mm</p> <p>Bottom Support Nut(x4)</p>	<p>20</p>  <p>350x60x30 mm</p> <p>Tail Support (x1)</p>
<p>21</p>  <p>1425x360x3 mm</p> <p>Skateboard (x1)</p>	<p>22</p>  <p>370x40x15 mm</p> <p>Vertical Bar (x2)</p>	<p>23</p>  <p>384x60x18 mm</p> <p>Vertical Bar (x3)</p>	<p>24</p>  <p>990x60x13 mm-14pcs</p> <p>Bed Slat (x1)</p>	<p>A M6x90mm</p>  <p>Large Screw (x32)</p>
<p>B Ø10x13mm</p>  <p>Cross Dowel Nut(x38)</p>	<p>C M6x60mm</p>  <p>Small Screw (x6)</p>	<p>D M6x50mm</p>  <p>Small Screw (x6)</p>	<p>E Ø6x70mm</p>  <p>Bolt (x34)</p>	<p>F M8x20mm</p>  <p>Sleeve Nut (x12)</p>
<p>G M6x25mm</p>  <p>Small Screw (x6)</p>	<p>H Ø8x30mm</p>  <p>Dowel (x38)</p>	<p>I Ø4x25mm</p>  <p>Large Self-tapping Screw(x32)</p>	<p>L</p>  <p>Hooking (x2)</p>	<p>M</p>  <p>Hooking (x2)</p>
<p>N Ø3x16mm</p>  <p>Small Self-tapping Screw(x10)</p>	<p>O 4mm</p>  <p>Allen Key (x2)</p>	<p>Q 30x30x2mm</p>  <p>Leg Mat (x4)</p>	<p>S Ø8mm</p>  <p>Hole Cover (x15)</p>	<p>T</p>  <p>Anti Dumping Accessories(x2)</p>

Tools Needen For Assembly: Flat & Philips Screwdriver (Not Included)
The Use Of Power Screwdriver Is Not Recommended

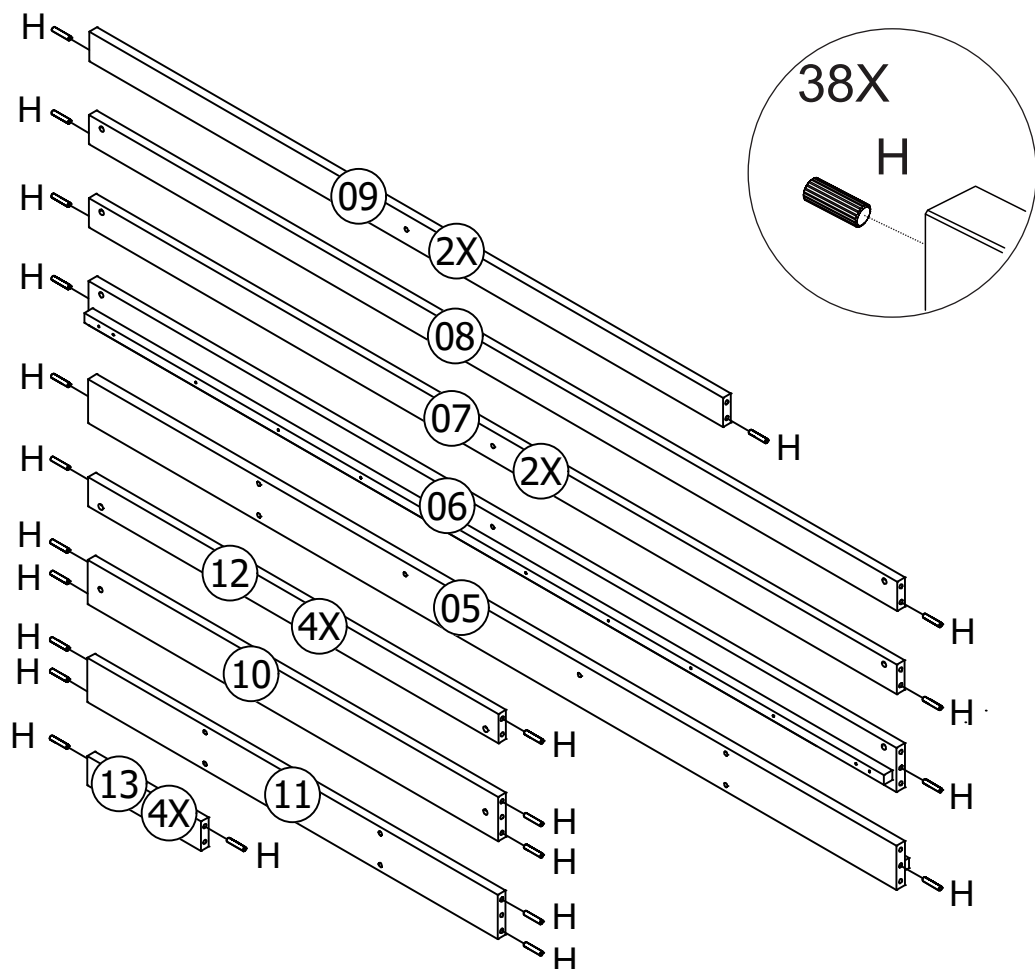
ASSEMBLY STEPS

New panels & accessories needed in below step.

 <p>1900x90x20 mm</p> <p>Side support Bar(x1)</p>	 <p>1900x90x20 mm</p> <p>Side support Bar(x1)</p>	 <p>1900x60x20 mm</p> <p>Long Side Beam(x2)</p>	 <p>1900x60x20 mm</p> <p>Long Side Beam(x1)</p>	 <p>1490x60x20 mm</p> <p>Short Side Beam(x2)</p>
 <p>965x90x18 mm</p> <p>End Board (x1)</p>	 <p>965x90x18 mm</p> <p>End Board (x1)</p>	 <p>965x60x18 mm</p> <p>Horizontal Bar (x4)</p>	 <p>267.5x60x18 mm</p> <p>Horizontal Bar (x4)</p>	 <p>H Ø8x30mm</p> <p>Dowel (x38)</p>








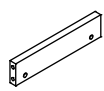
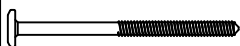

STEP01

Put wood dowel (H) into each panel as figure shows.



ASSEMBLY STEPS

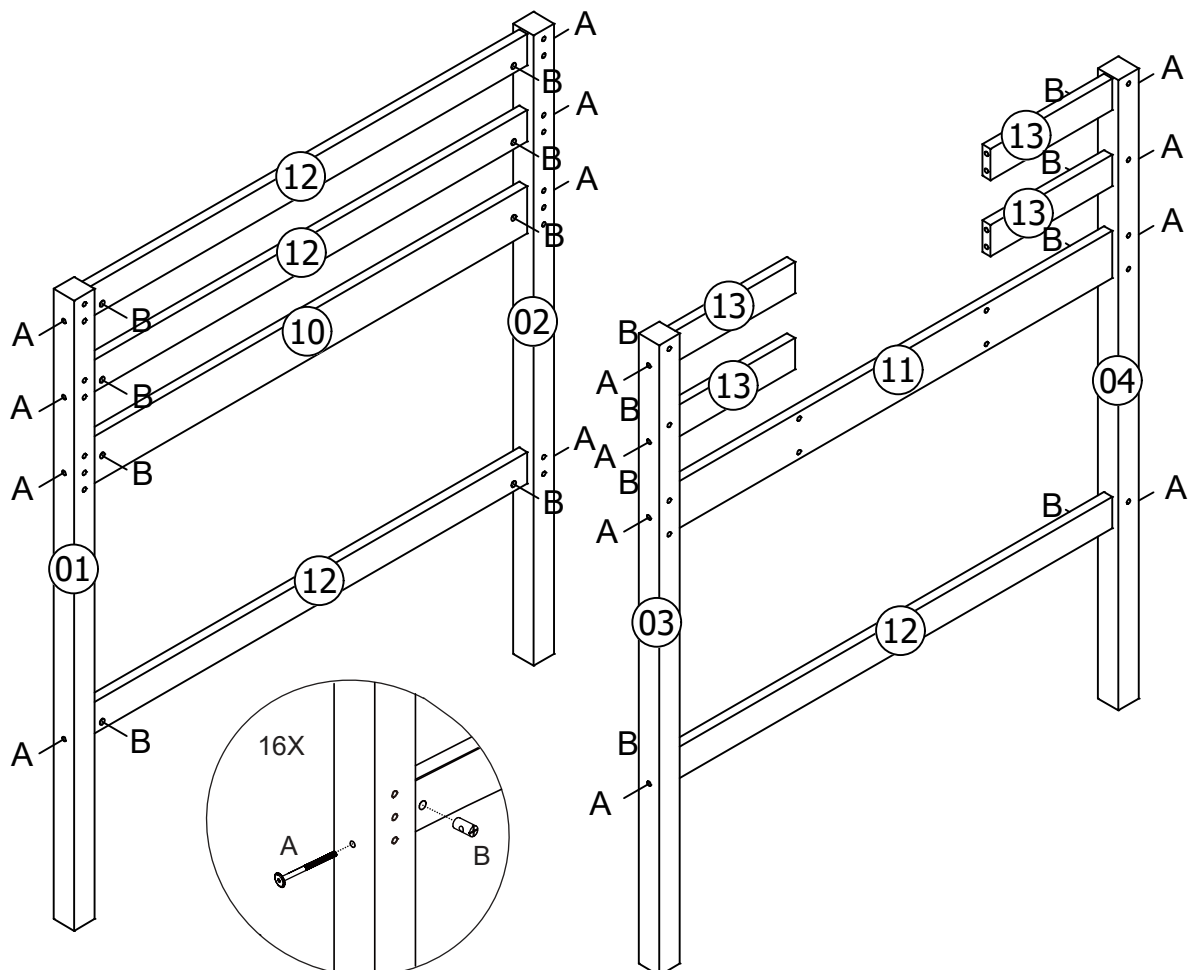
New panels & accessories needed in below step.

 1200x45x45 mm Bed Leg (x1)	 1200x45x45 mm Bed Leg (x1)	 1200x45x45 mm Bed Leg (x1)	 1200x45x45 mm Bed Leg (x1)	 965x90x18 mm End Board (x1)
 965x90x18 mm End Board (x1)	 965x60x18 mm Horizontal Bar (x4)	 267.5x60x18 mm Horizontal Bar (x4)	A M6x90mm  Large Screw (x16)	B Ø10x13mm  Cross Dowel Nut(x16)

STEP02

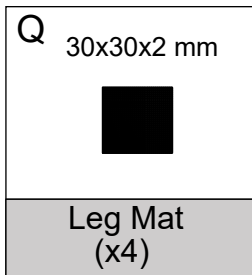
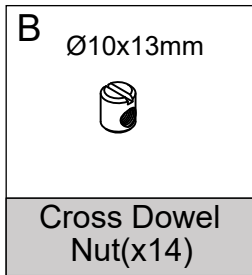
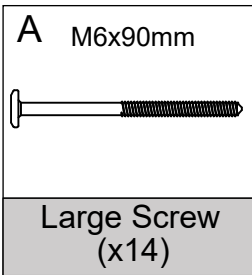
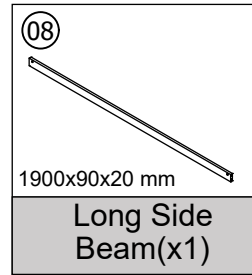
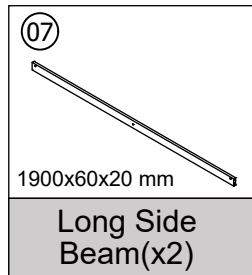
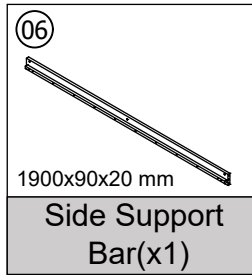
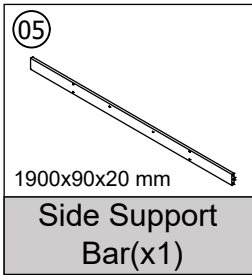
Put the cross positioning nut (B) into the (10) and (12) end plates, finally fix the (10) and (12) end plate to the leg (1) and (2) with screw (A).

Put the cross positioning nut (B) into the (11) and (12) and (13) end plates, finally fix the (11) and (12) and (13) end plate to the leg (3) and (4) with screw (A).



ASSEMBLY STEPS

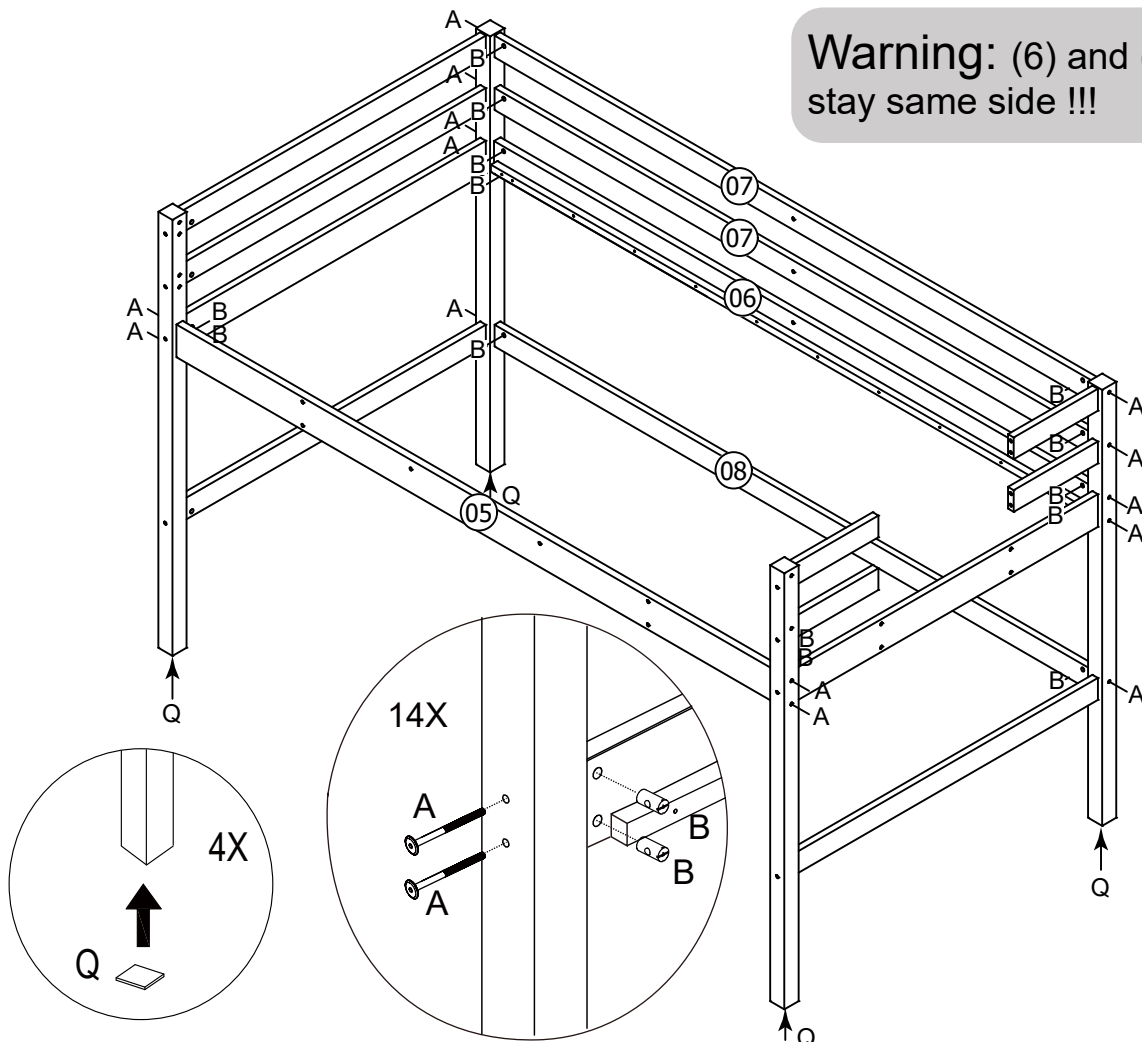
New panels & accessories needed in below step.



STEP03

Put the cross positioning nut (B) into the (5) and (6) and (7) and (8) end plates, finally fix the (5) and (6) and (7) and (8) end plate to the leg with screw (A).

Warning: (6) and (7) must stay same side !!!



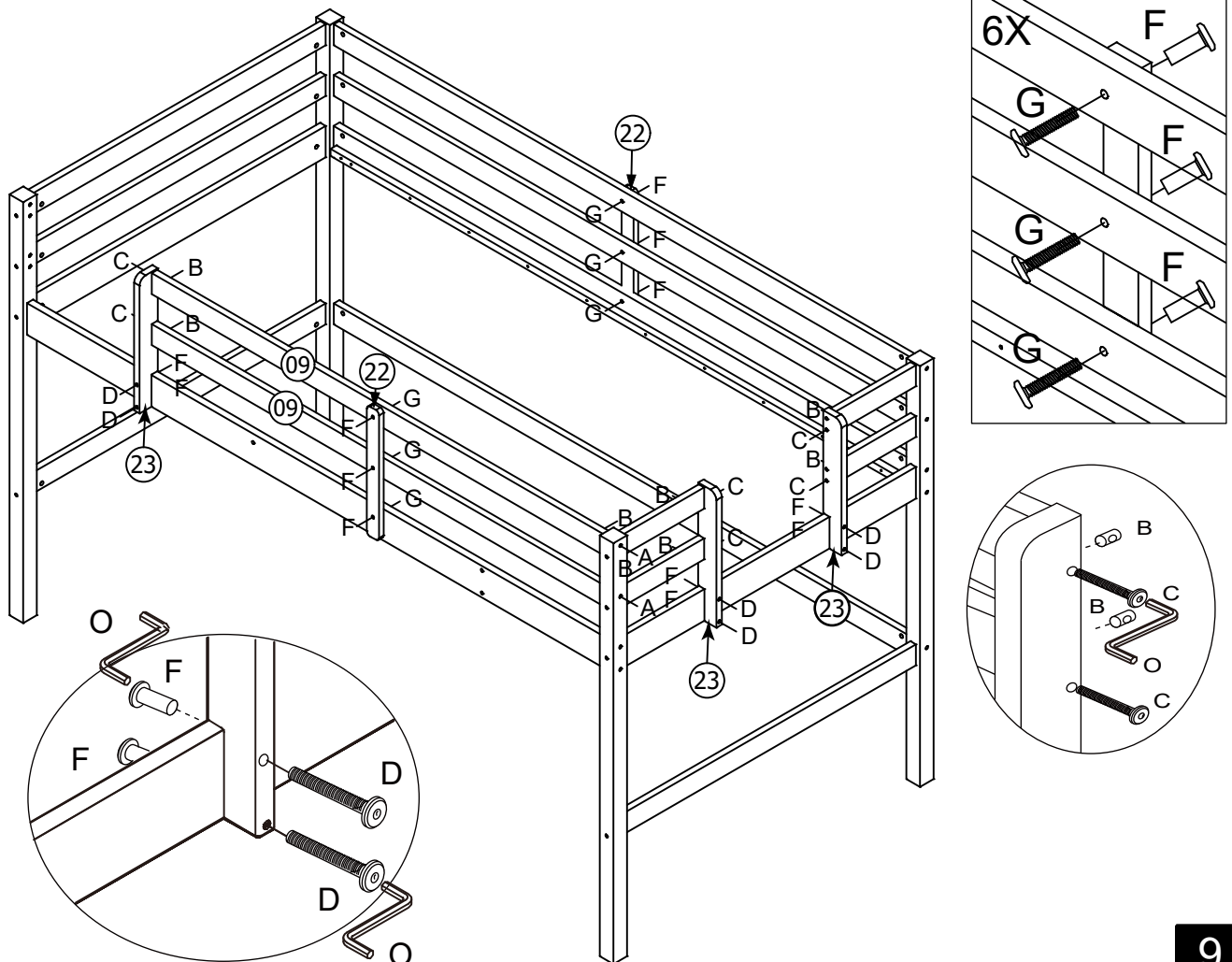
ASSEMBLY STEPS

New panels & accessories needed in below step.

<p>⑨</p> <p>1490x60x20 mm</p> <p>Short Side Beam(x2)</p>	<p>⑫</p> <p>370x40x15 mm</p> <p>Vertical Bar (x2)</p>	<p>⑬</p> <p>384x60x18 mm</p> <p>Vertical Bar (x3)</p>	<p>A</p> <p>M6x90mm</p> <p>Large Screw (x2)</p>	<p>B</p> <p>∅10x13mm</p> <p>Cross Dowel Nut(x8)</p>
<p>C</p> <p>M6x60mm</p> <p>Small Screw (x6)</p>	<p>D</p> <p>M6x50mm</p> <p>Small Screw (x6)</p>	<p>F</p> <p>M8x20mm</p> <p>Sleeve Nut (x12)</p>	<p>G</p> <p>M6x25mm</p> <p>Small Screw (x6)</p>	

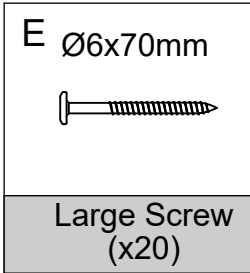
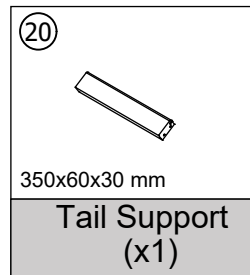
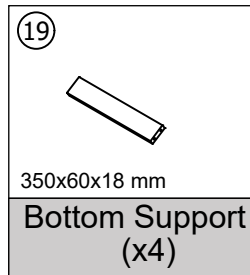
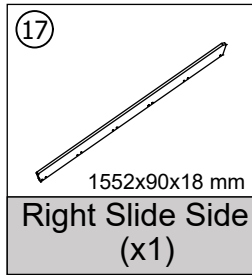
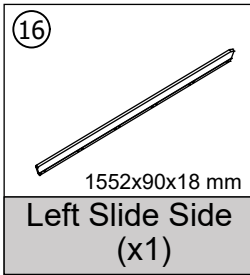
STEP04

Put Short Side Beam (9) fix by screw(A) and (B).
 Put Vertical Bar (22) on front and back fix by screw (F) and (G).
 Put Vertical Bar (23) on each entrance fix by screw (C) and (B), screw (D) and (F).



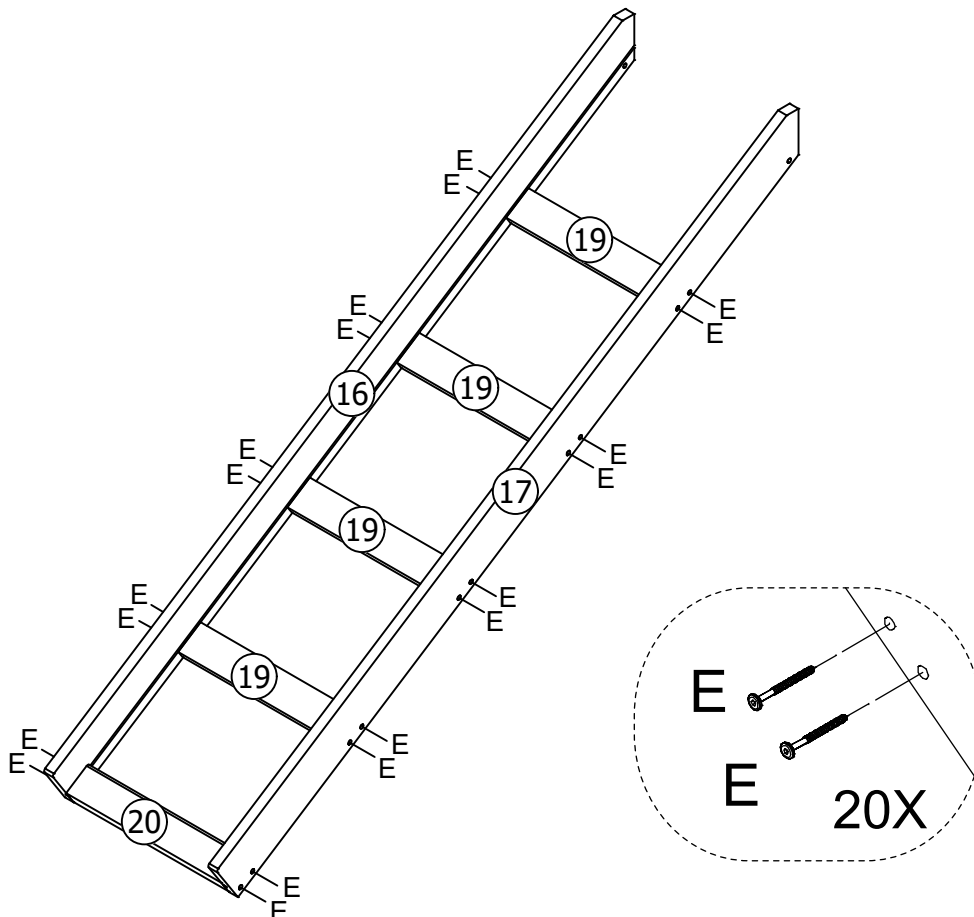
ASSEMBLY STEPS

New panels & accessories needed in below step.



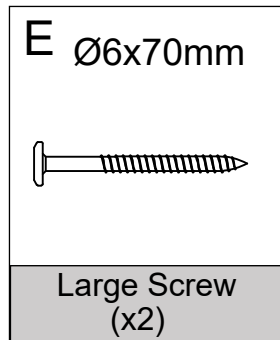
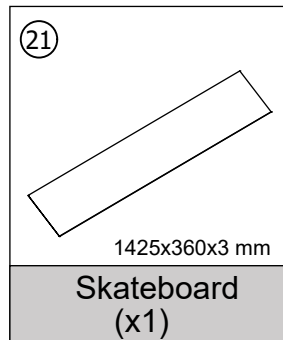
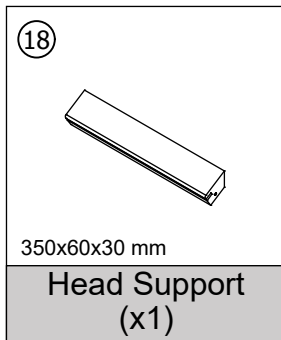
STEP05

Use panel (19) and (20) to connect slide leg (16) and (17) fix by screw (E).



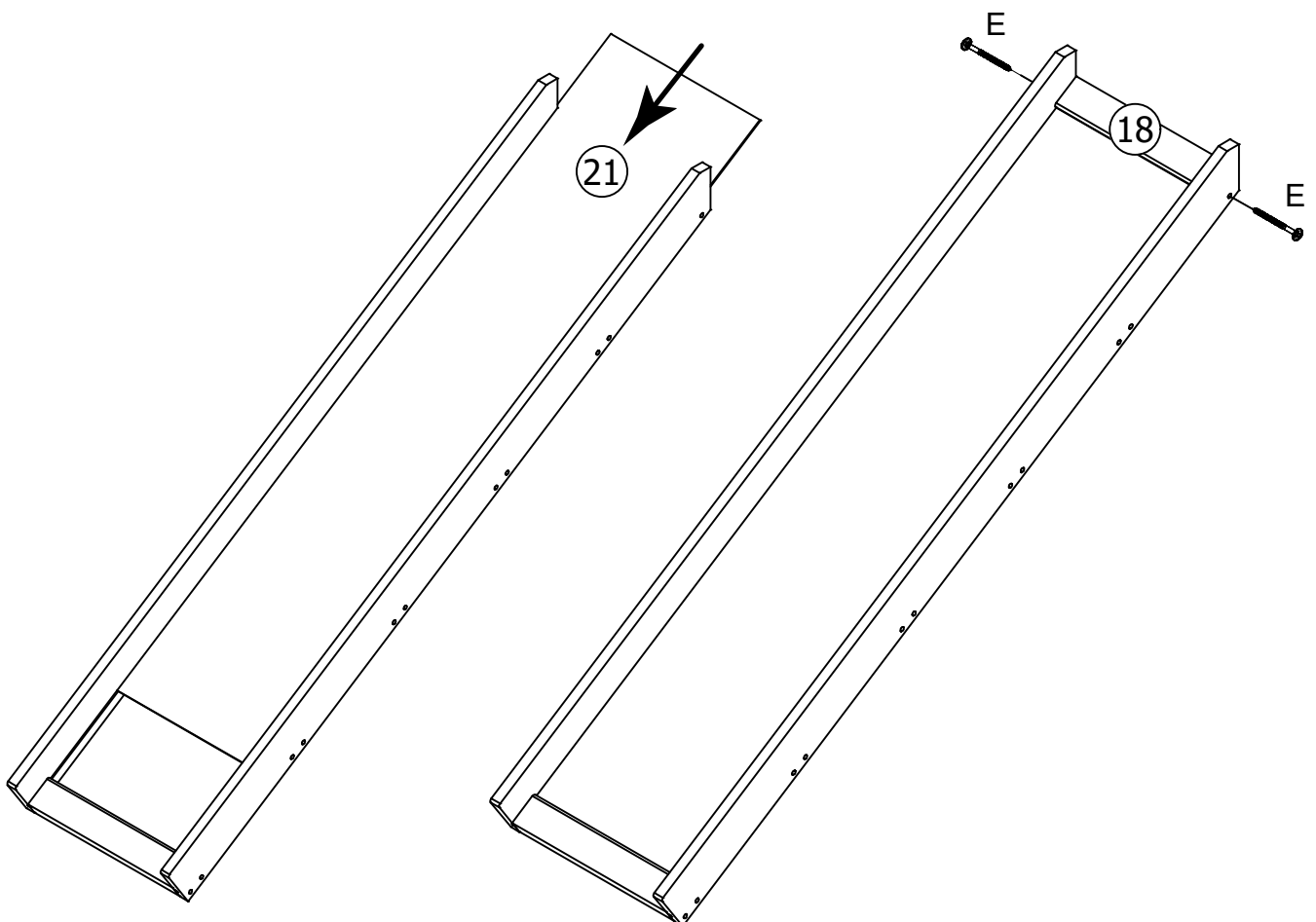
ASSEMBLY STEPS

New panels & accessories needed in below step.



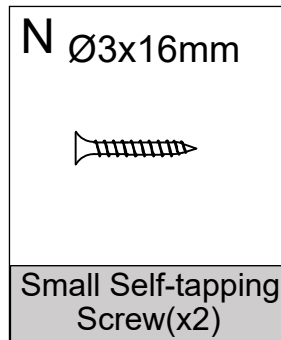
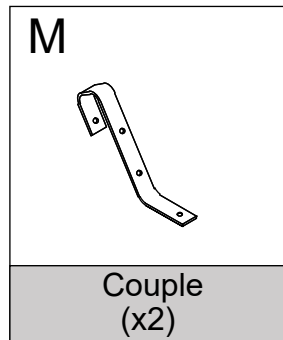
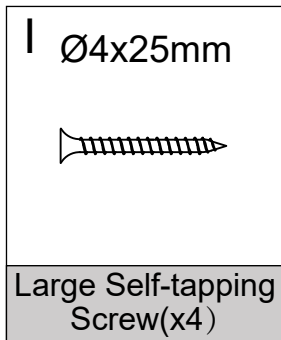
STEP06

Slide the base board (21) into the gap of slide leg, and then put panel (18) on and tight by screw (E).



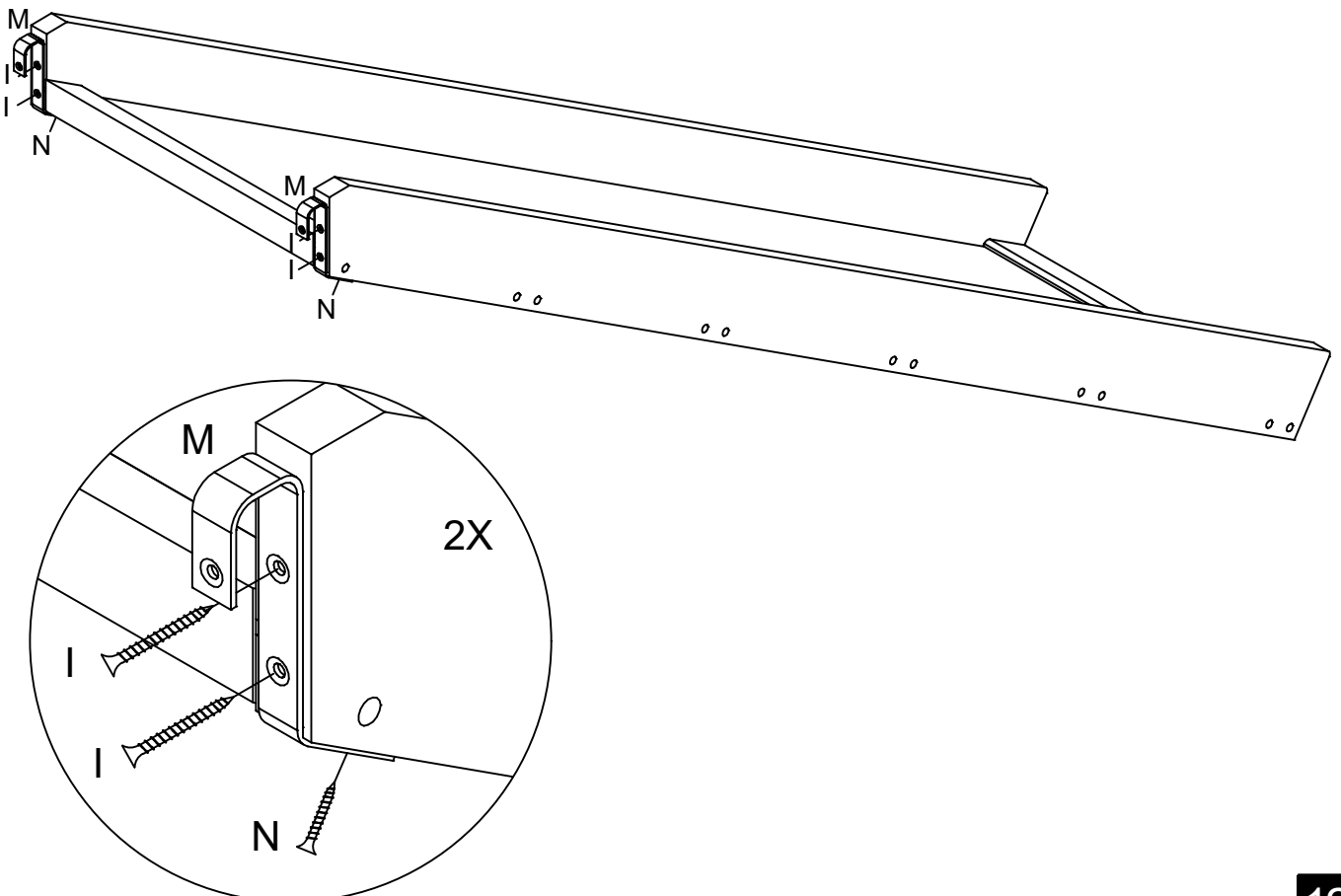
ASSEMBLY STEPS

New panels & accessories needed in below step.



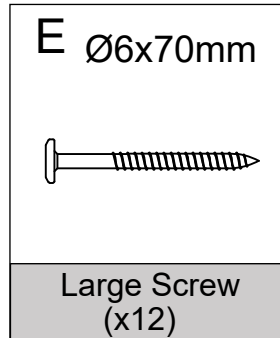
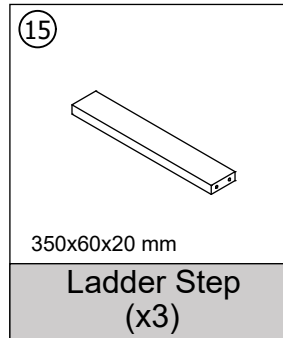
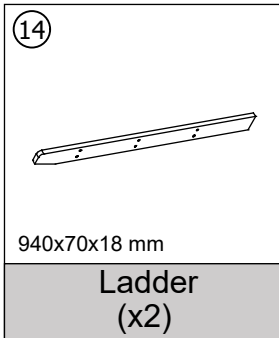
STEP07

Attach the metal hook(M) on the slide and fix by screw(I,N)



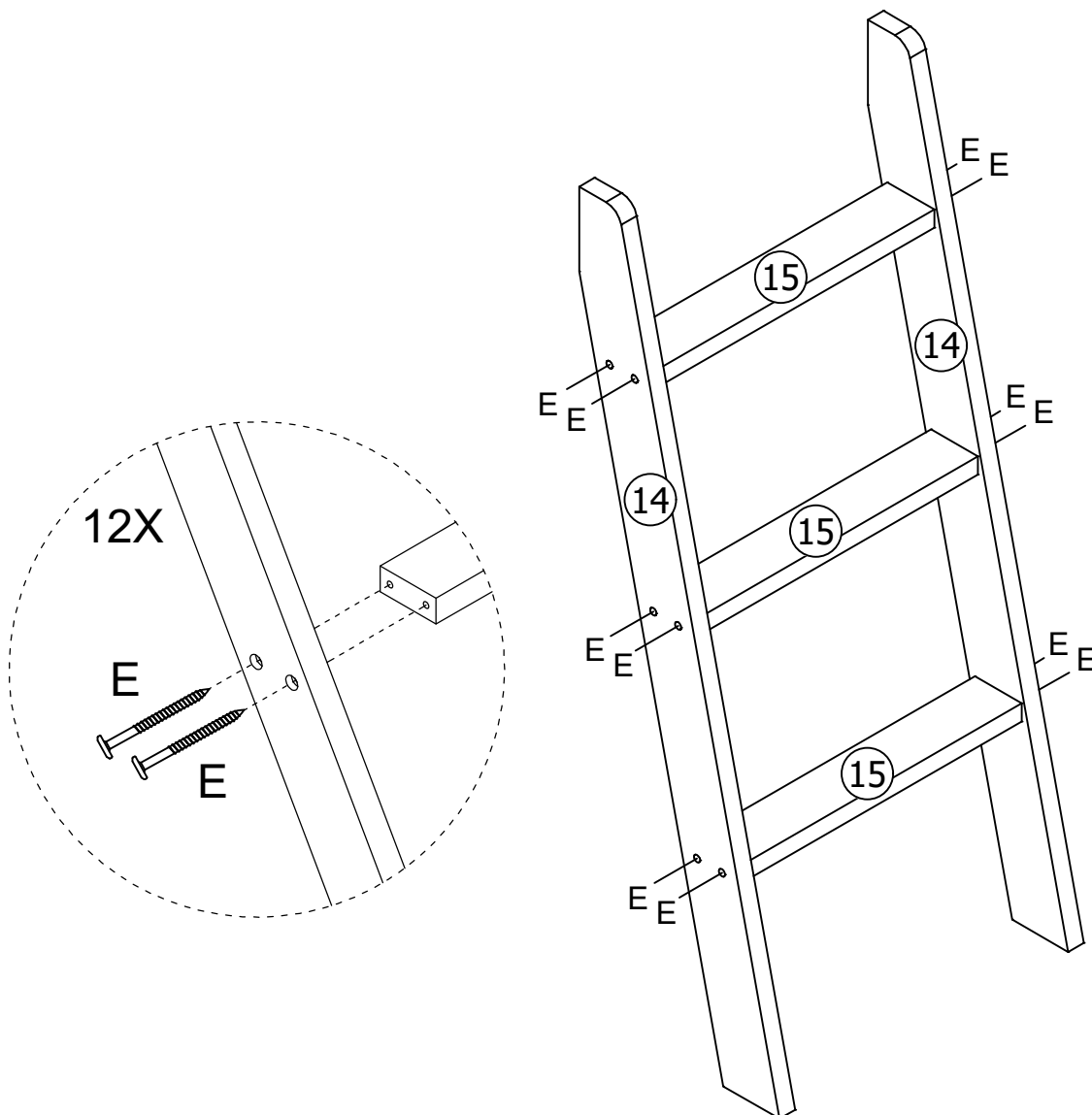
ASSEMBLY STEPS

New panels & accessories needed in below step.



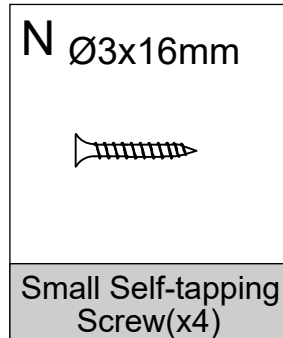
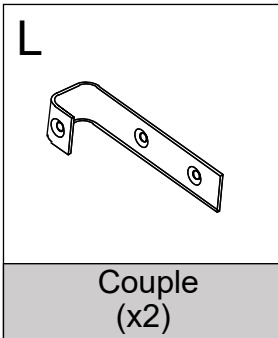
STEP08

Fasten (15) ladder step to (14) ladder legs with screw (E).



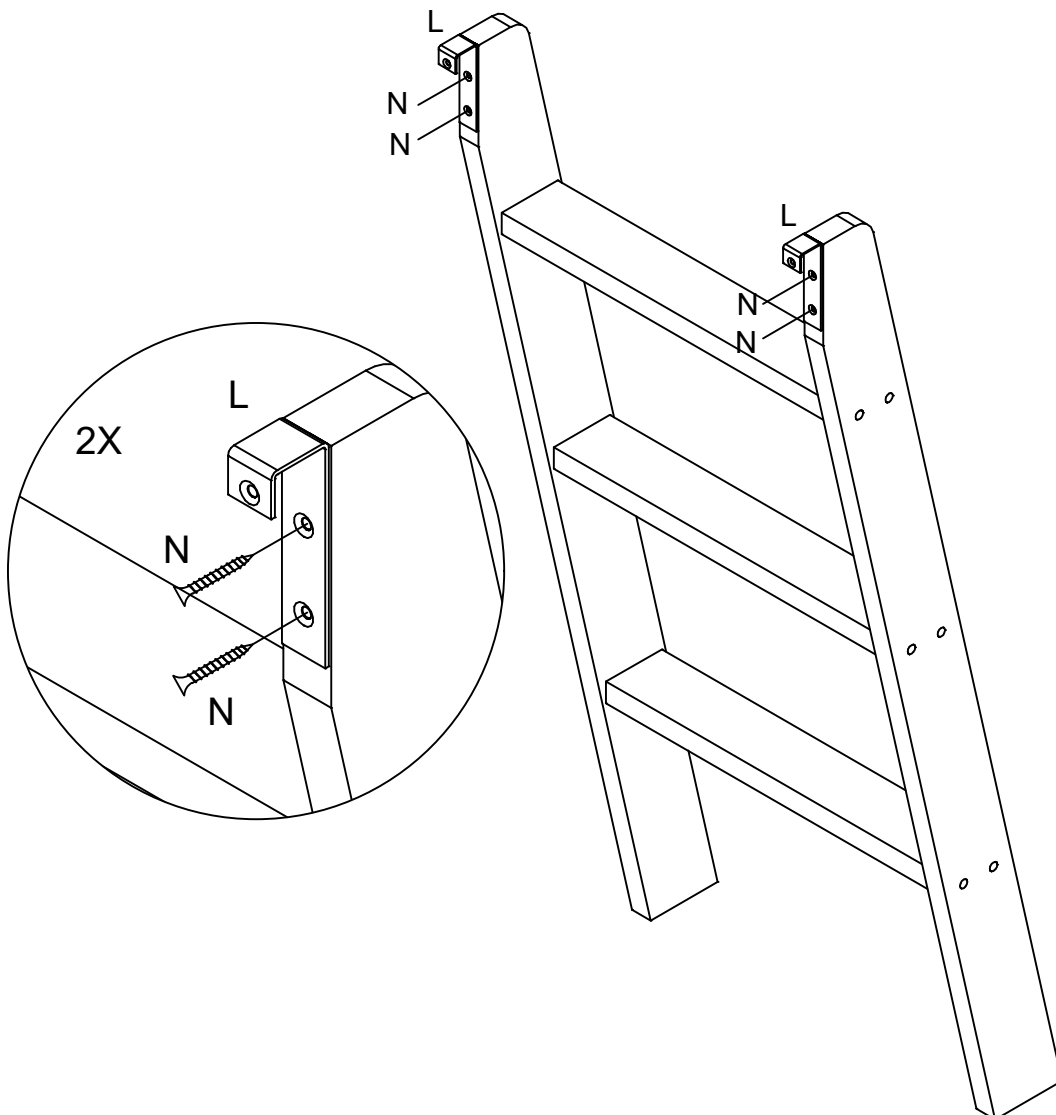
ASSEMBLY STEPS

New panels & accessories needed in below step.



STEP09

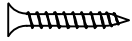
Attach the metal hook(L) on the ladder and fix by screw(N)



ASSEMBLY STEPS

New panels & accessories needed in below step.

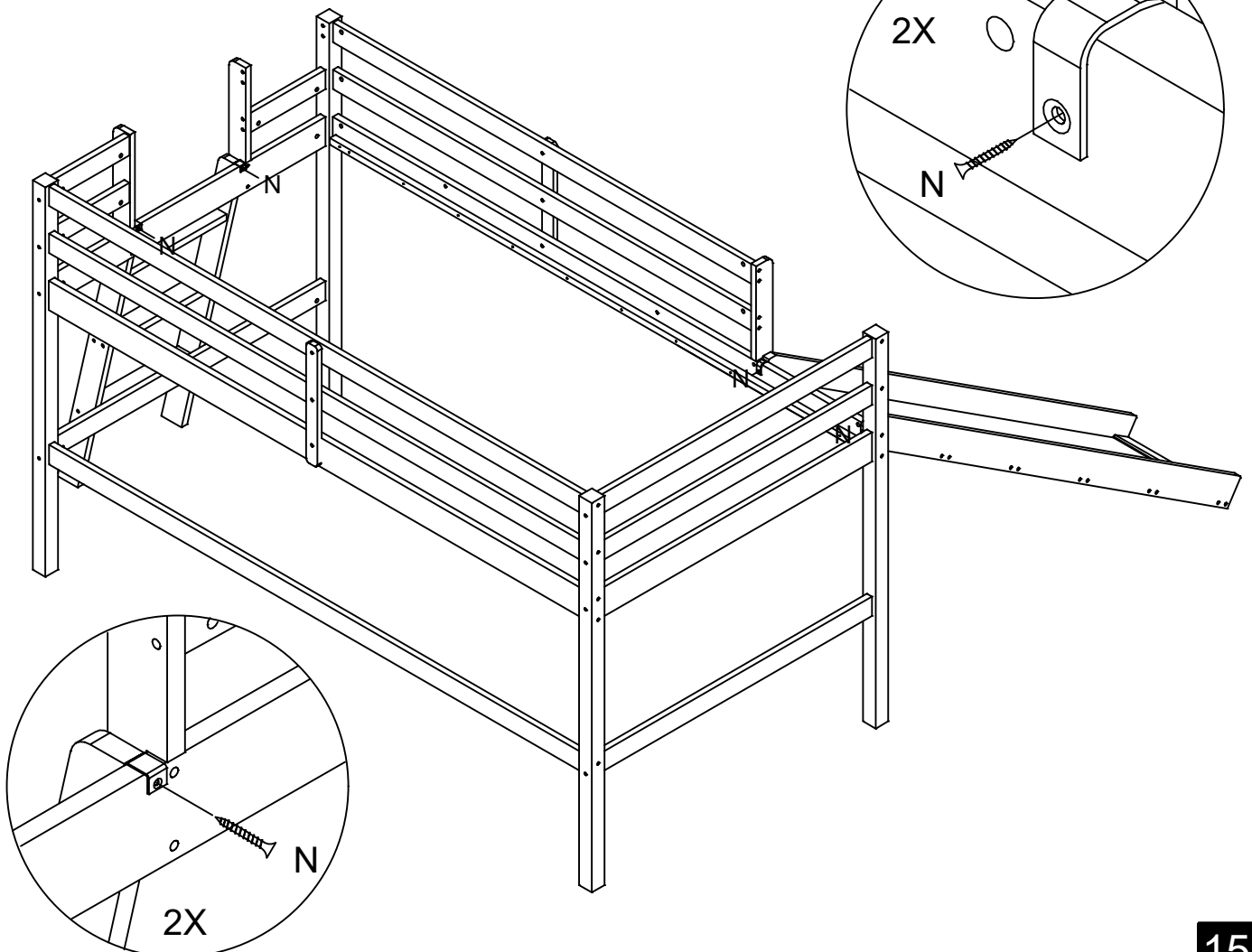
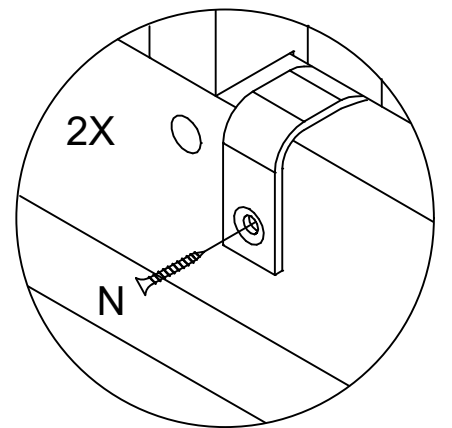
N Ø3x16mm



Small Self-tapping
Screw(x4)

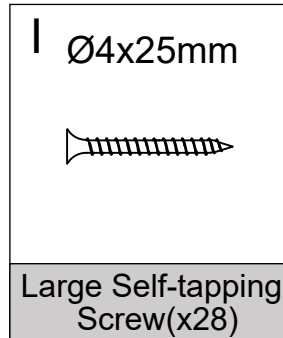
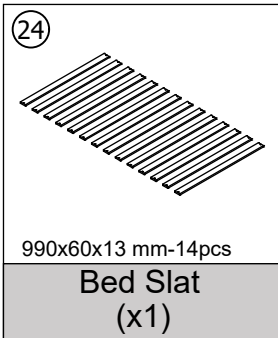
STEP10

Put slide and ladder on the bed frame and fix by screw(N)



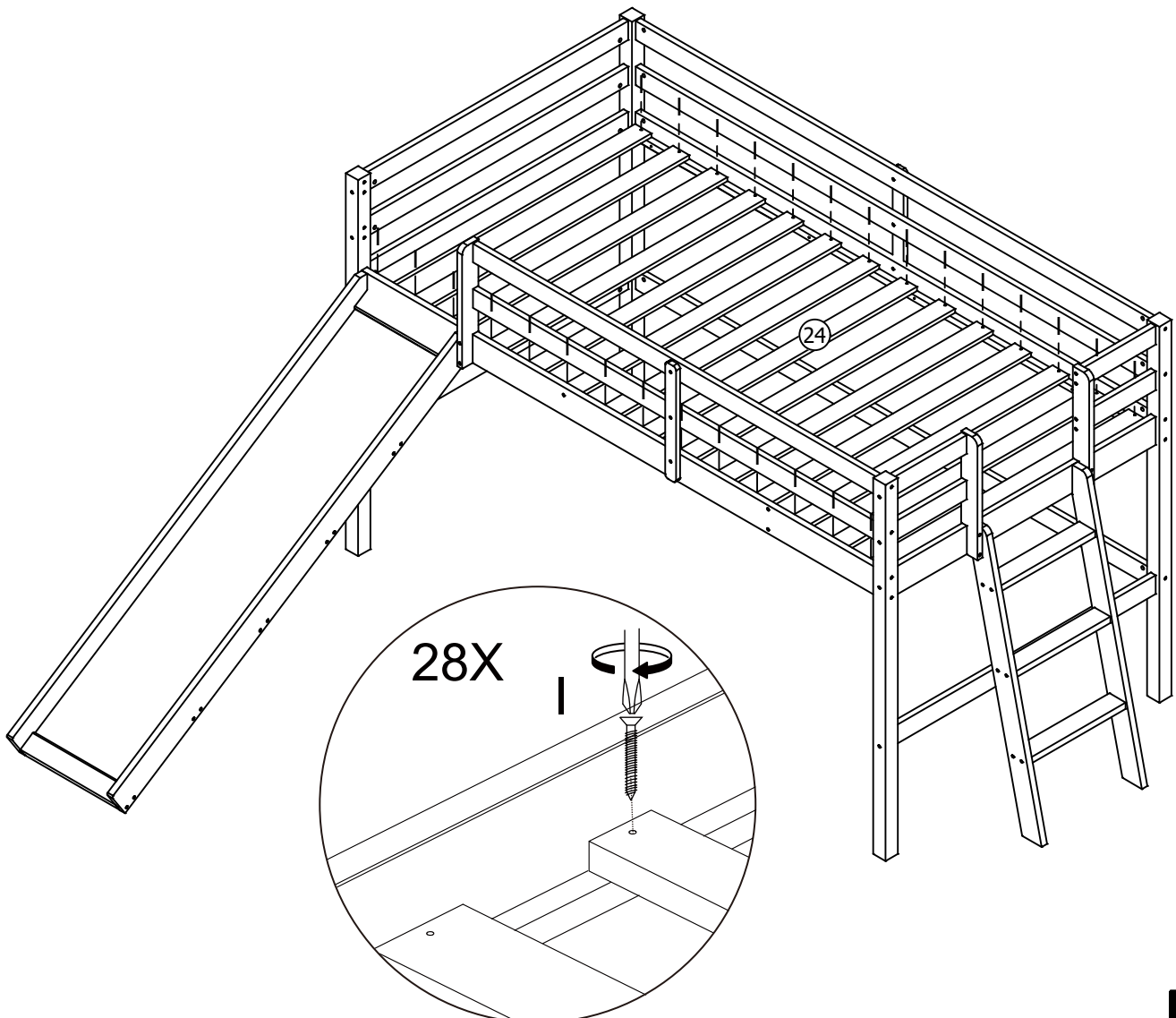
ASSEMBLY STEPS

New panels & accessories needed in below step.



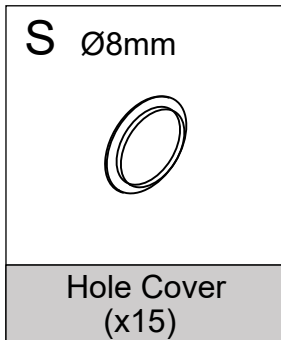
STEP11

Place the bed slat evenly on the bed and fix them to the side bar with self-tapping screw (I).



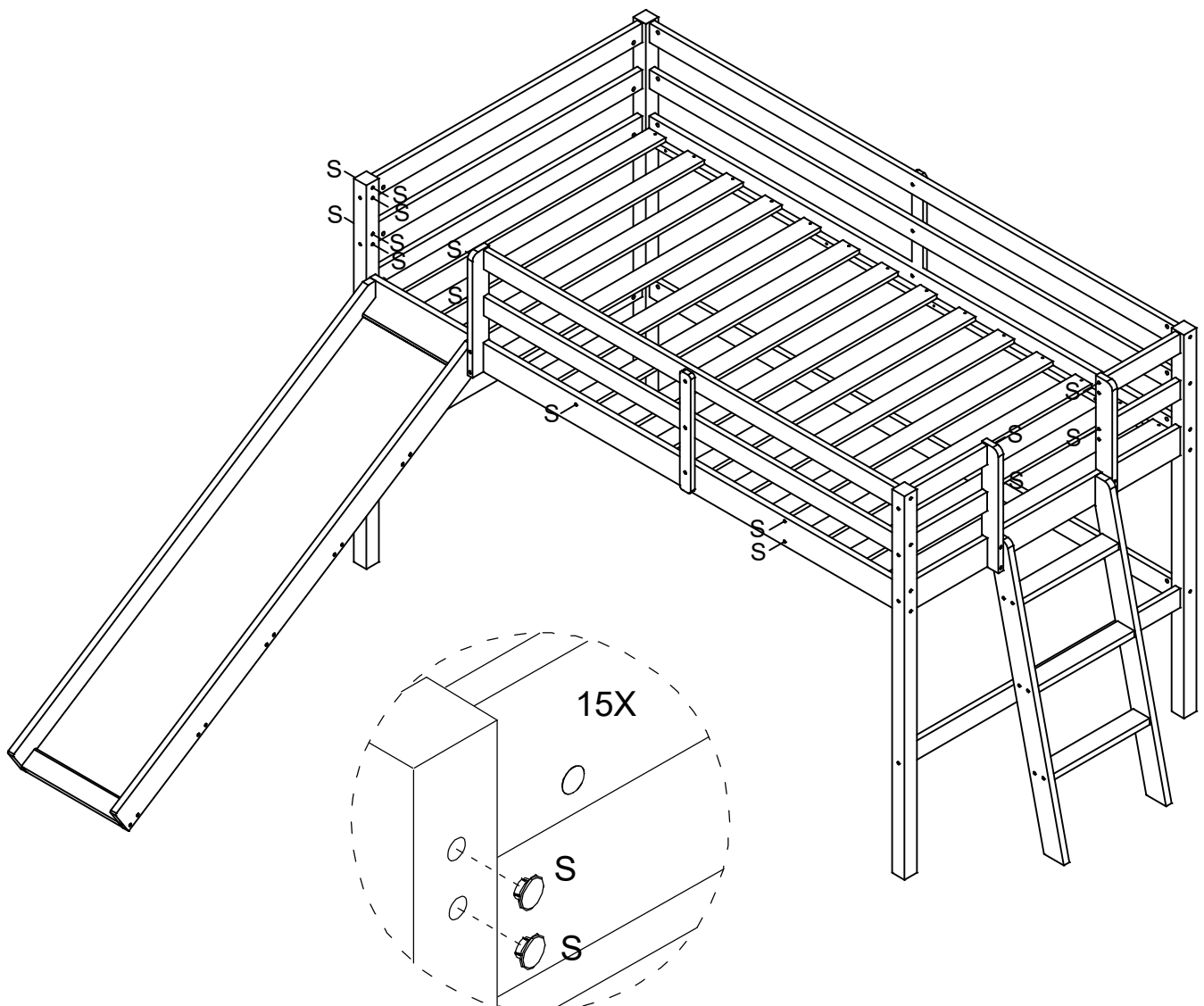
ASSEMBLY STEPS

New panels & accessories needed in below step.



STEP12

- a: Make it prettier - paste hole cover S on all exposed holes.
- b: After placing the mattress, the holes visible to the naked eye need to be affixed with hole stickers.



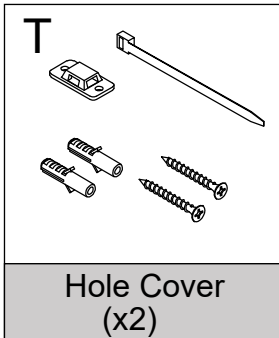
S



15

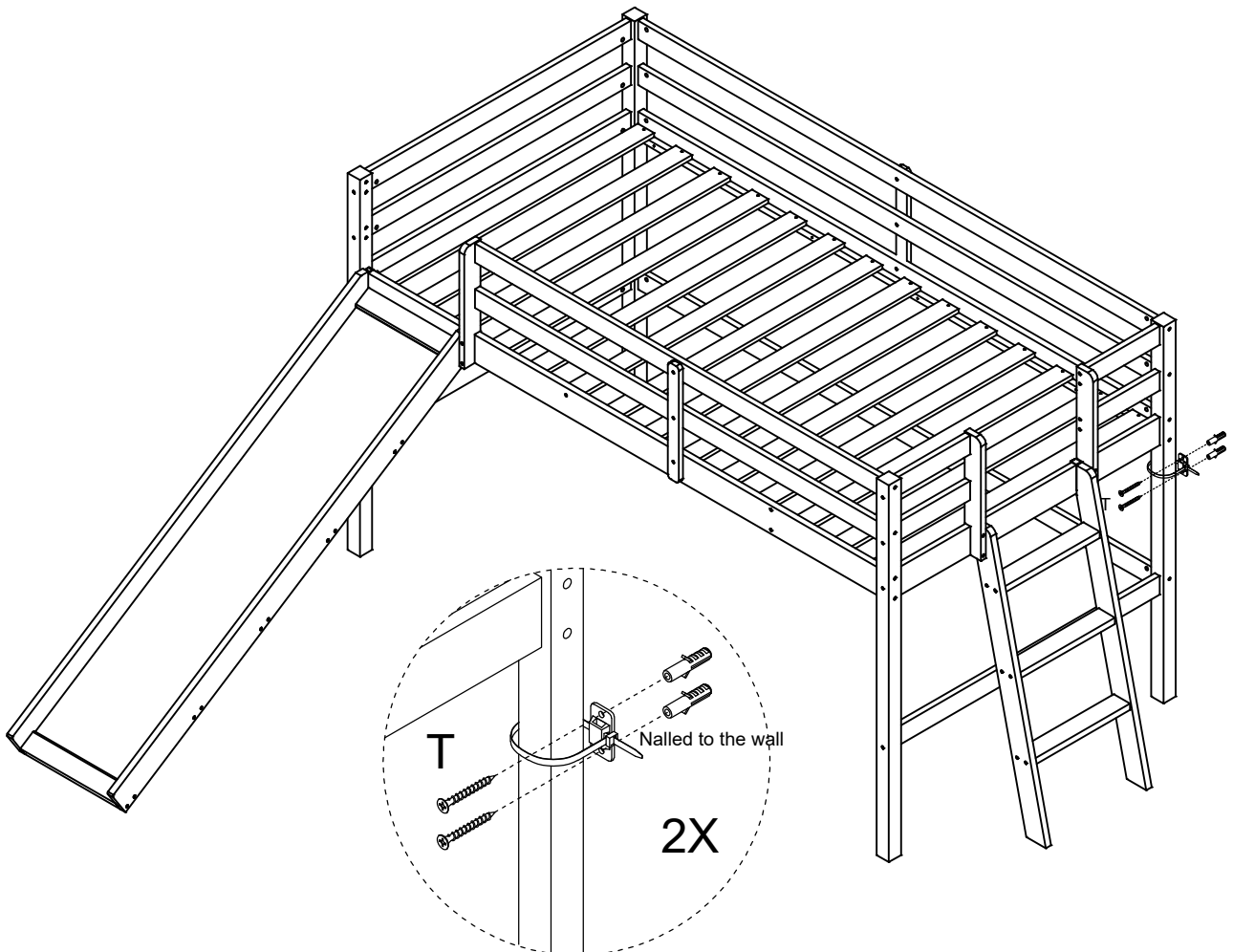
ASSEMBLY STEPS

New panels & accessories needed in below step.



STEP13

Use the wall mount bracket(T) to tight the bed frame with the wall for safe



MAXIMUM LOADS

This unit has been designed to support the maximum loads shown. Exceeding these load limits could cause sagging instability, collapse, and serious injury.

**Load-bearing:
350lbs / 160kg**

