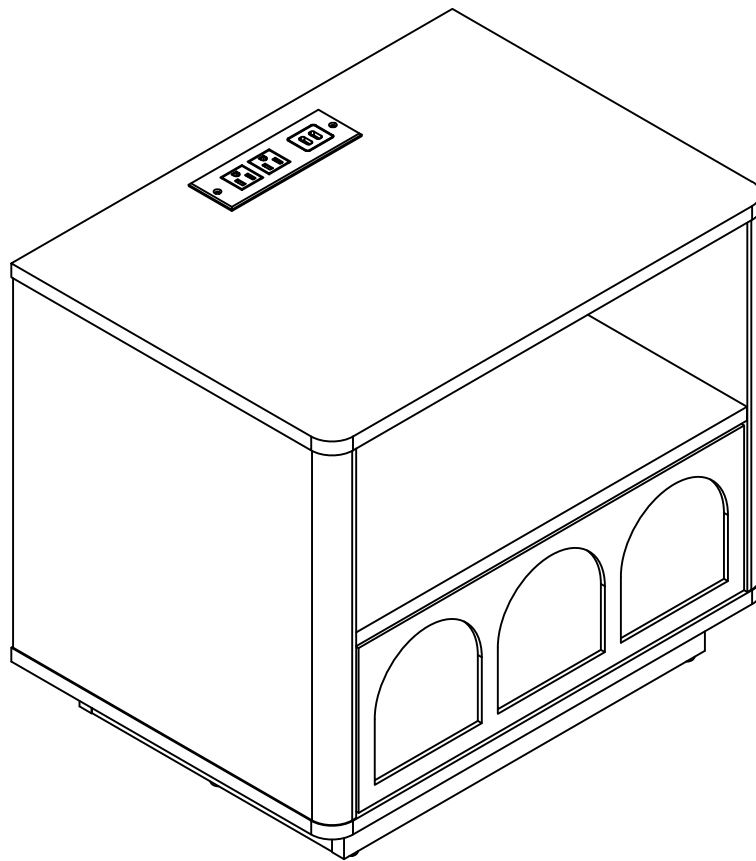


Installation Instruction

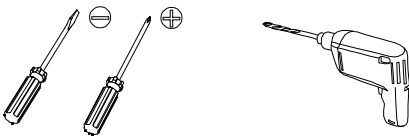


Assembling

What you need

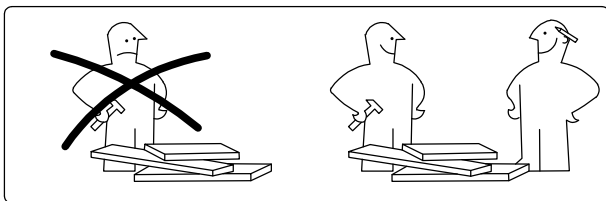
- Use the packaging carton as a working surface to prevent product damage during assembly

Tool Required Not Provided



Use electric tools with care.

Weight Limitation

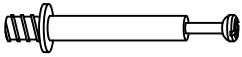


What' included

Code	Description	Qty
A	Cam Bolt M6X35MM	28
B	Cam Lock 15X10MM	28
C	Wooden Dowel M8X30MM	12
D	Screw M4X40MM	10
E	Screw M3X14MM	22
F	Door Rebound Device Holder	1
G	Metal connector	2
H	Door Rebound Device	1
I	Lastic Angle code	8
J	Anchor	2
K	MATS	4
L	Self-adhesive hole sticker	8
N	Extension cord	1
CL	Left mother extended orbit	1
CR	Right mother extended orbit	1
DL	Left public extension track	1
DR	Right public extends track	1

The Hardwares

Ax28



Ø6×35

Bx28



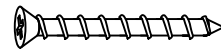
Ø15×10

Cx12



Ø8×30

Dx10



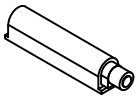
Ø4×40

Ex22

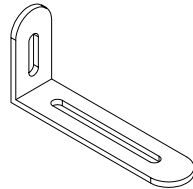


Ø3×14

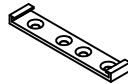
Fx1



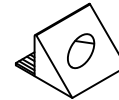
Gx2



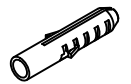
Hx1



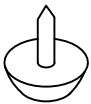
Ix8



Jx2



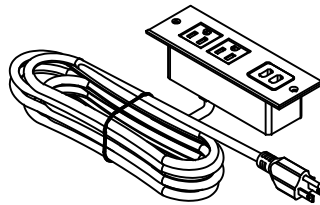
Kx4



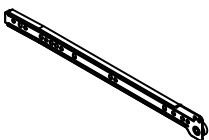
Lx8



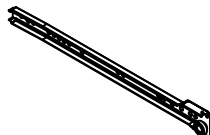
Nx1



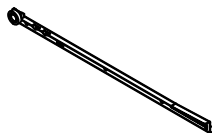
CLx1



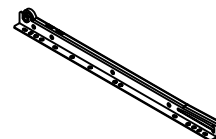
CRx1



DLx1



DRx1



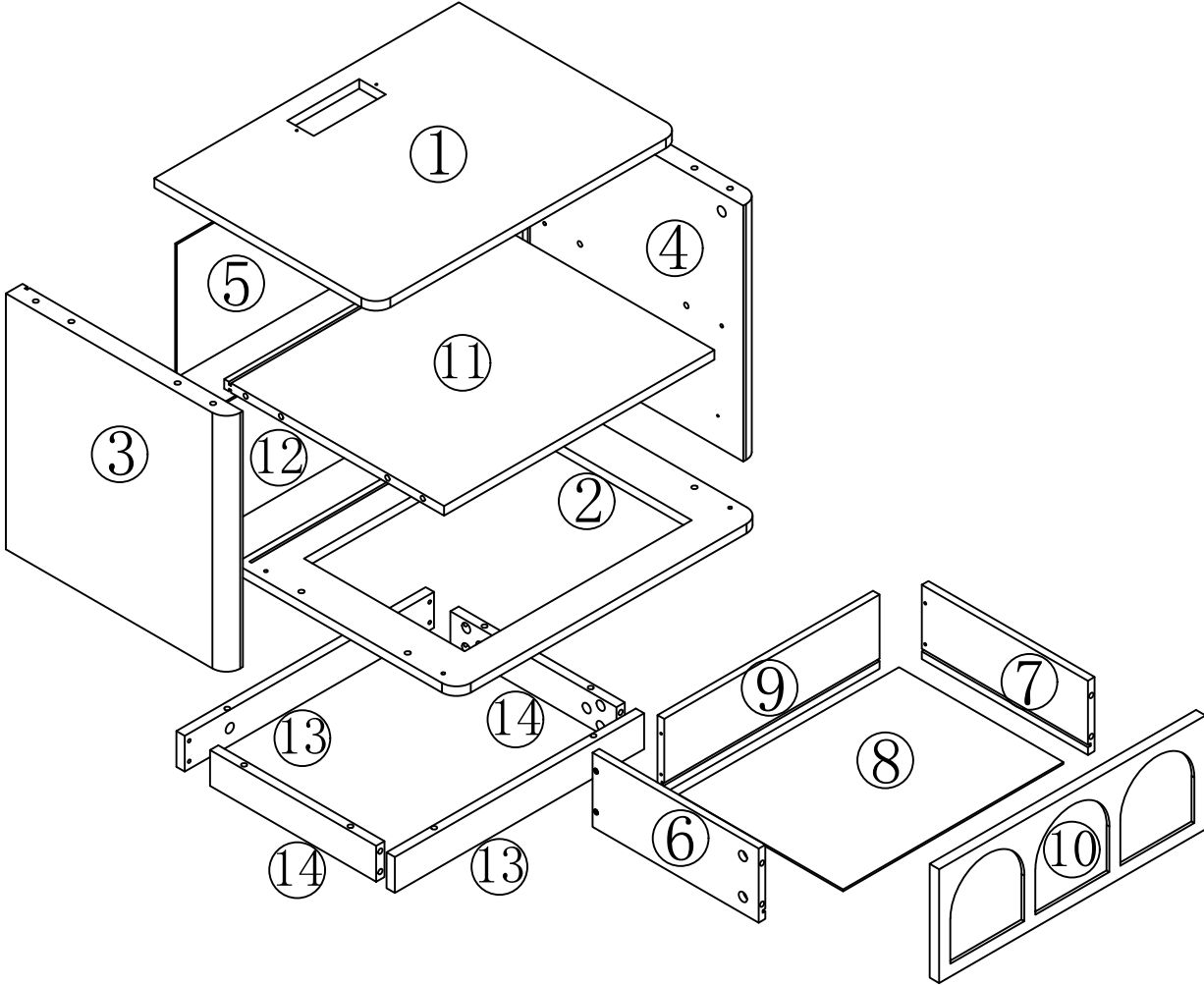
IMPORTANT:

1. Do not tighten bolts / screws completely until all bolts / screws are lined up and inserted into holes.
2. Do not over tighten screws and bolts to avoid stripping
3. You can use a screwdriver. Power tools can also be used. (Be careful with power tools)

Included Accessories

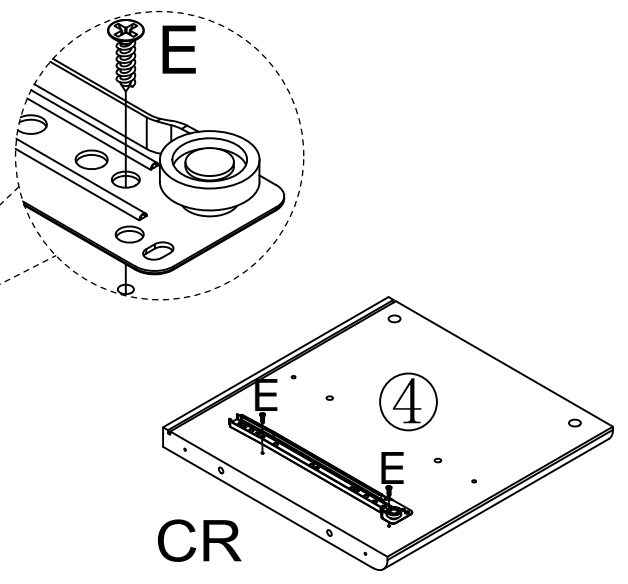
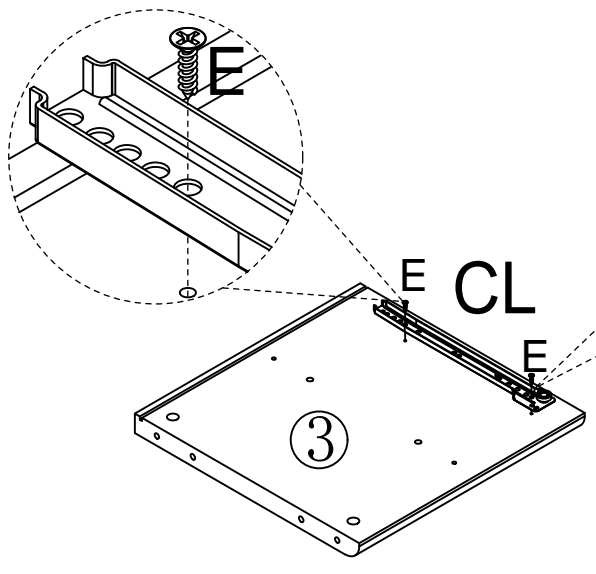
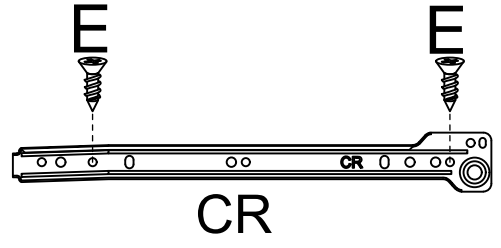
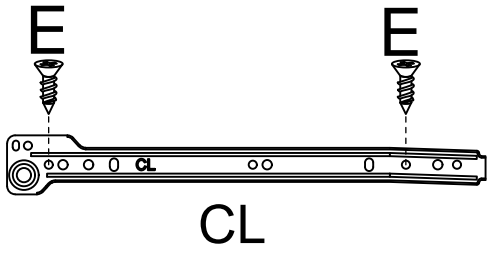
Code	Description	Qty
1	Cabinet Top	1
2	Bottom Panel	1
3	Left Side Panel	1
4	Right Side Panel	1
5	Upper back plate	1
6	Drawer left panel	1
7	Drawer right panel	1
8	The drawer bottom	1
9	After the drawer board	1
10	The drawer face	1
11	Middle lamella	1
12	Upper back plate	1
13	Foot front and rear connecting plates	2
14	Foot left and right connecting plate	2

The Accessoriess



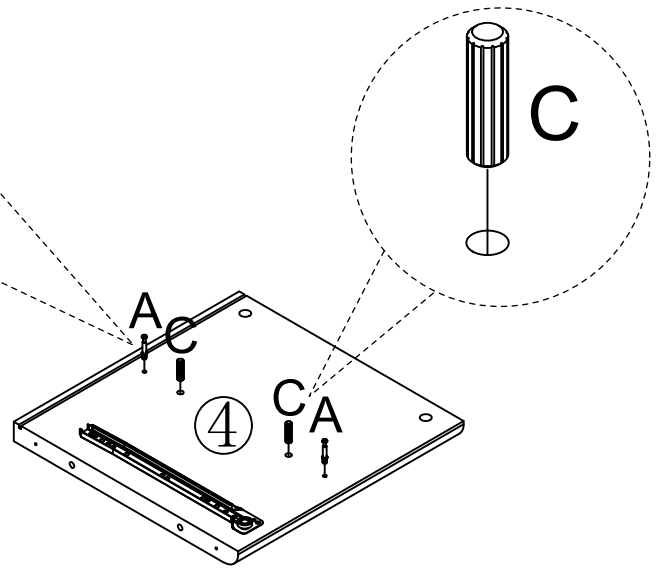
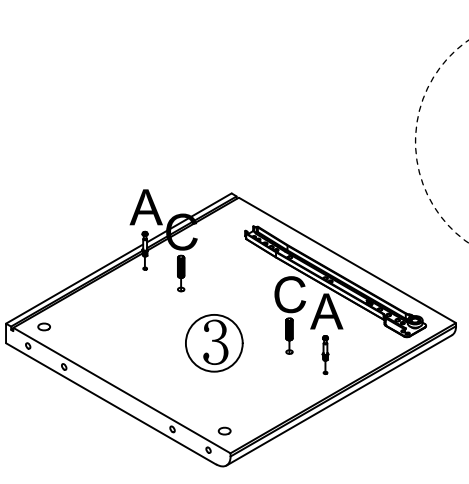
Step 1

CL	×1	CR	×1	E	×4


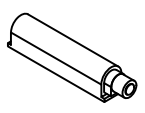
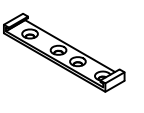


Step 2

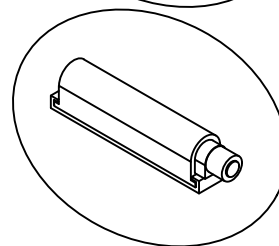
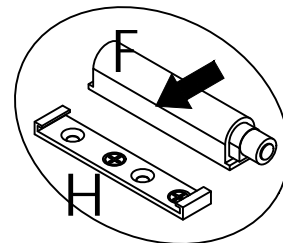
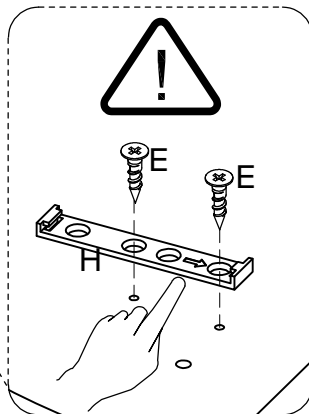
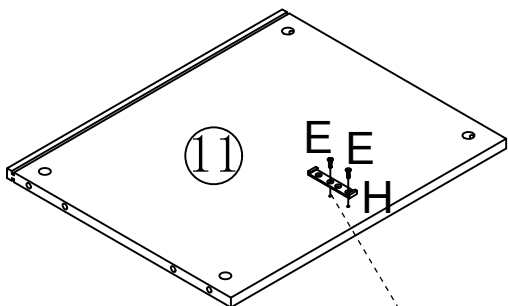
A	×4	C	×4




Step 3

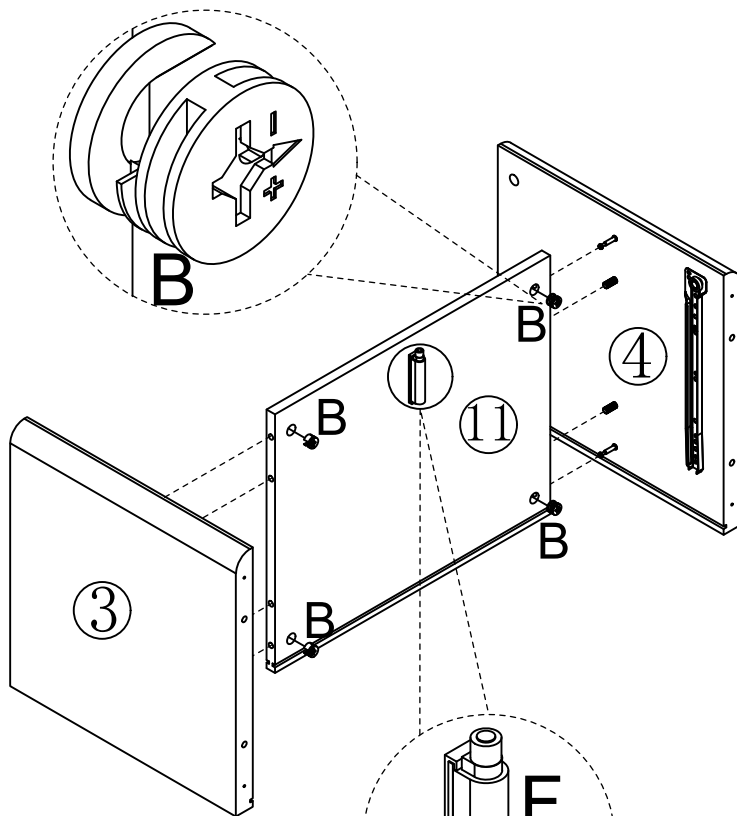
E	×2	F	×1	H	×1
					

First, attach H to the wooden board, and then assemble F and H together.

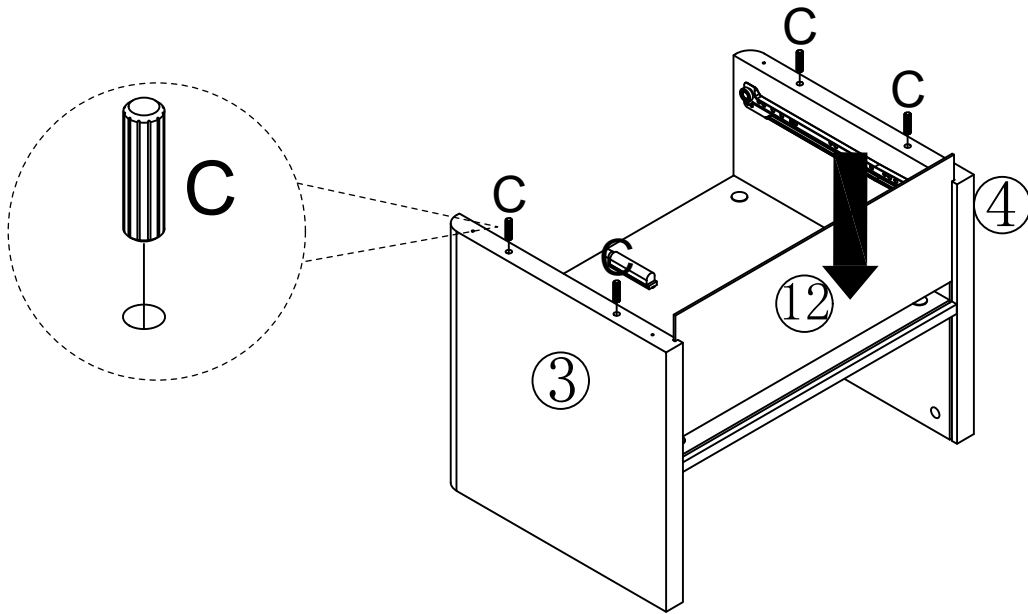
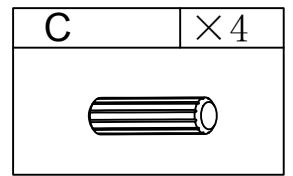


Step 4

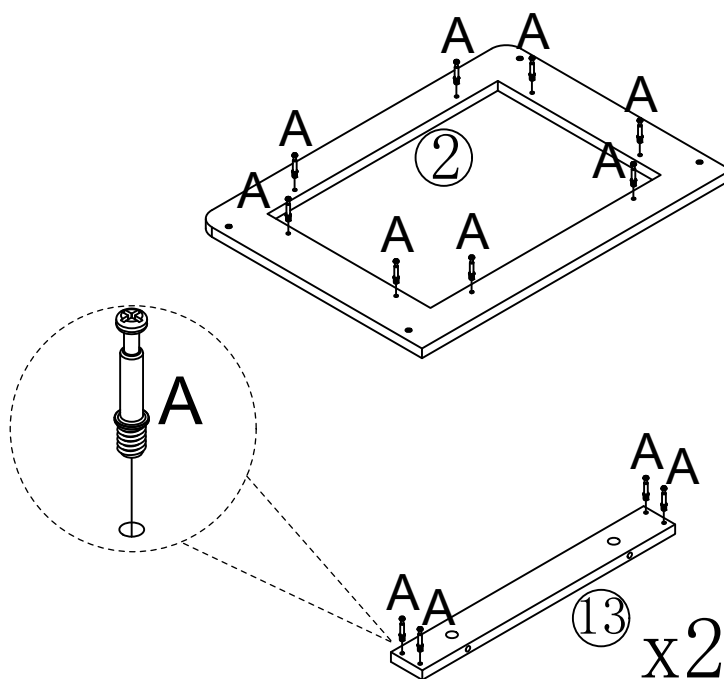
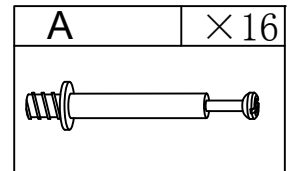
B	×4
	



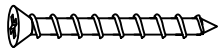
Step 5

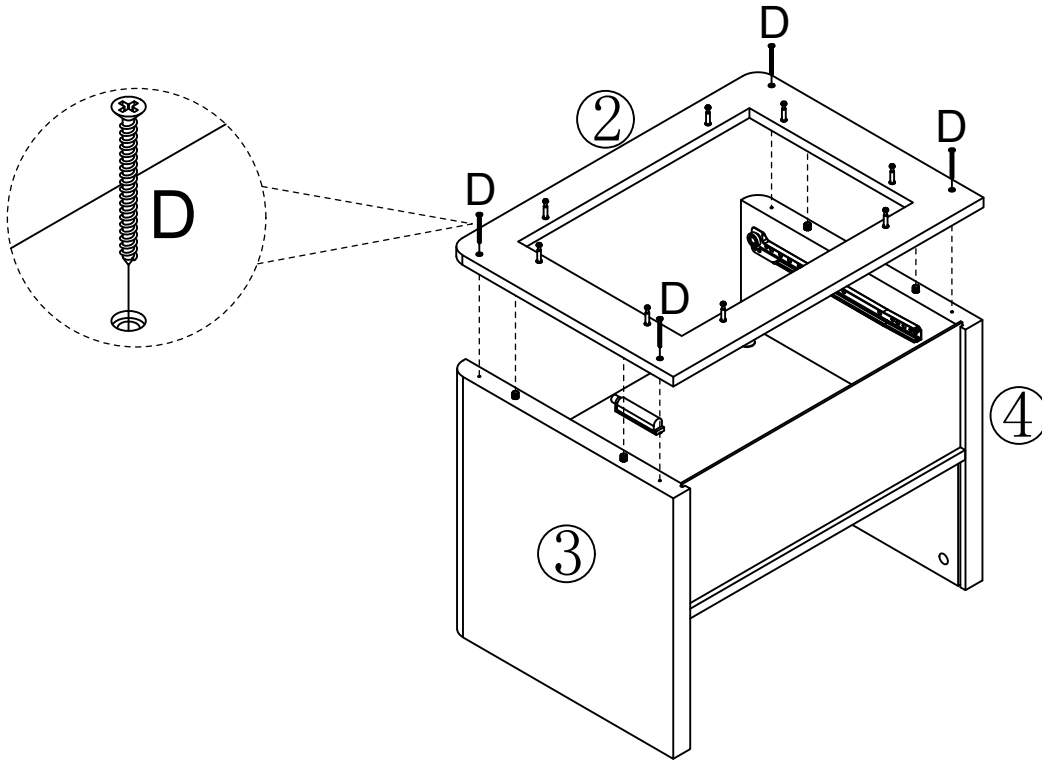


Step 6





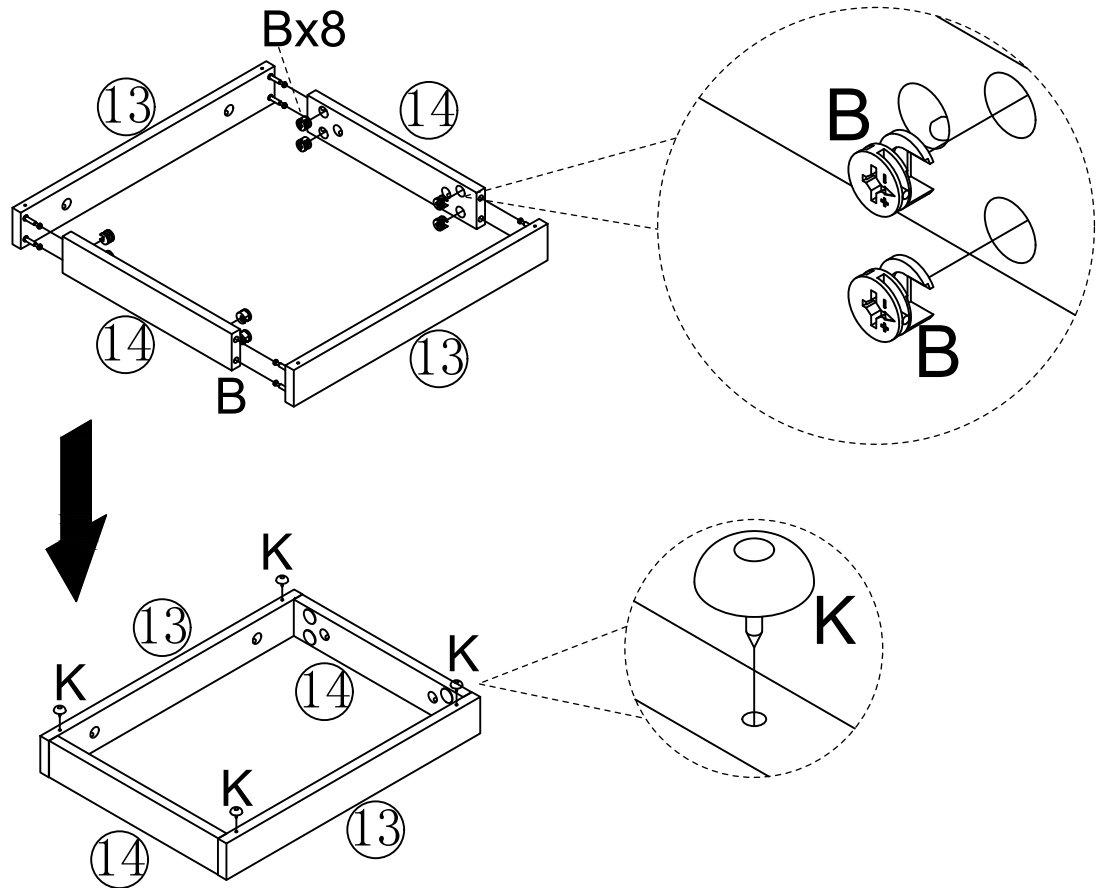
Step 7

D	×4
	

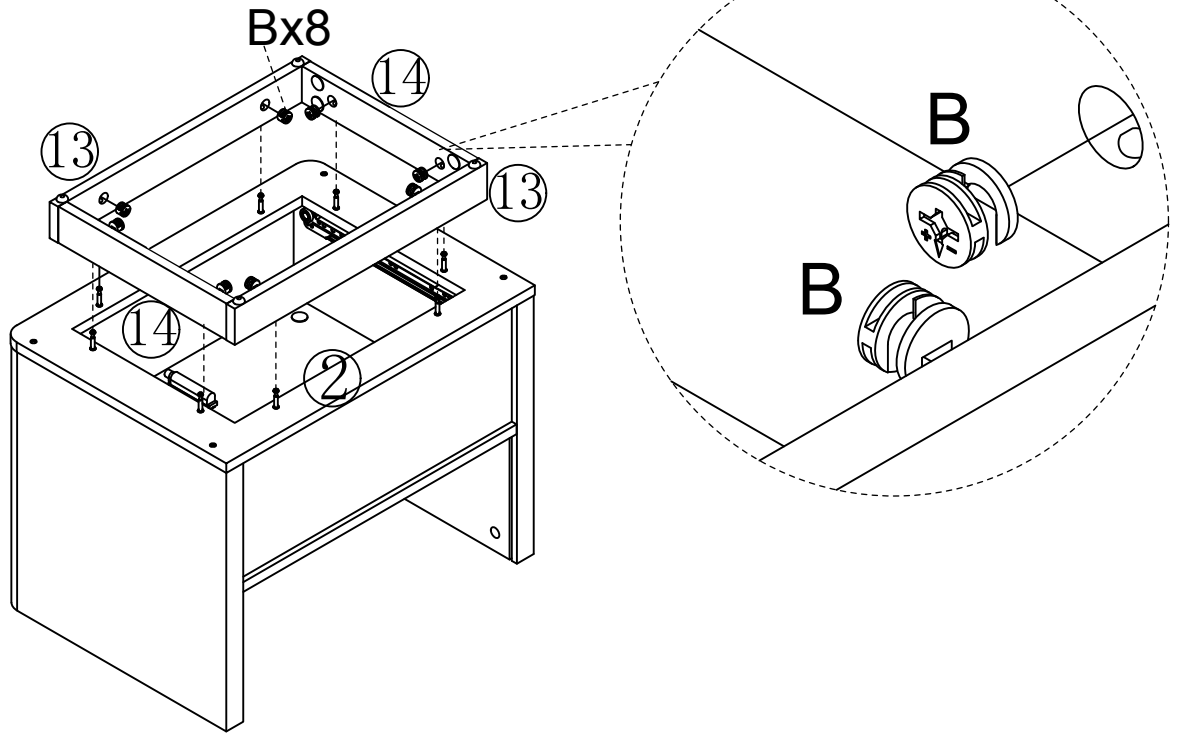


Step 8

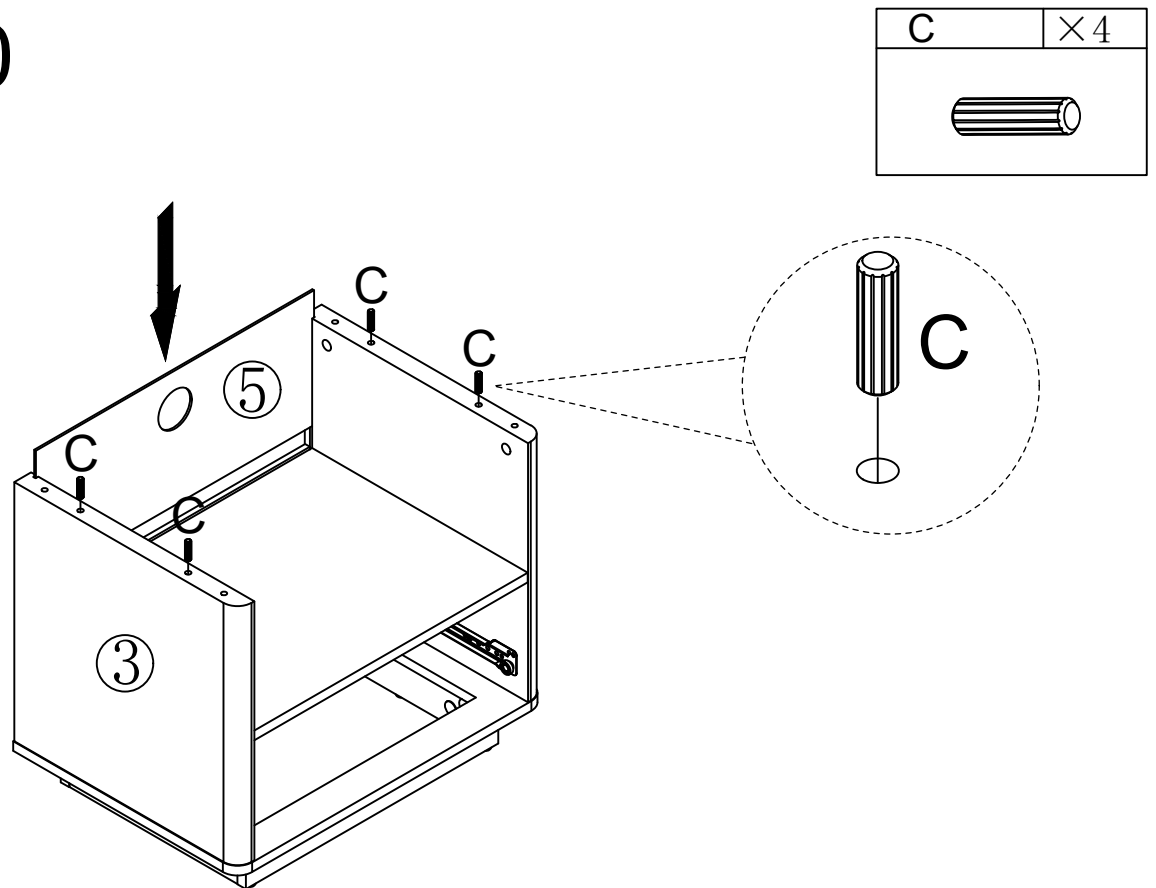
B	×8	K	×4
			



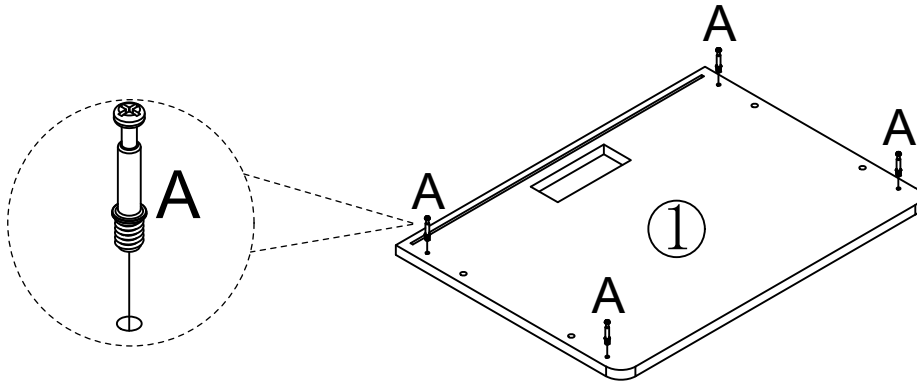
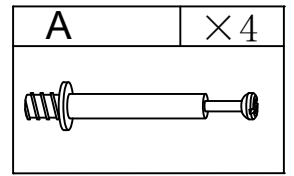
Step 9



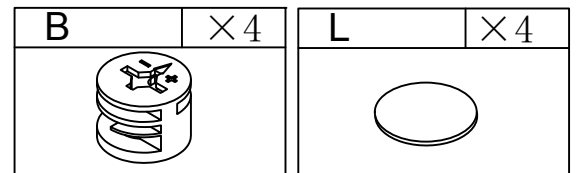
Step 10



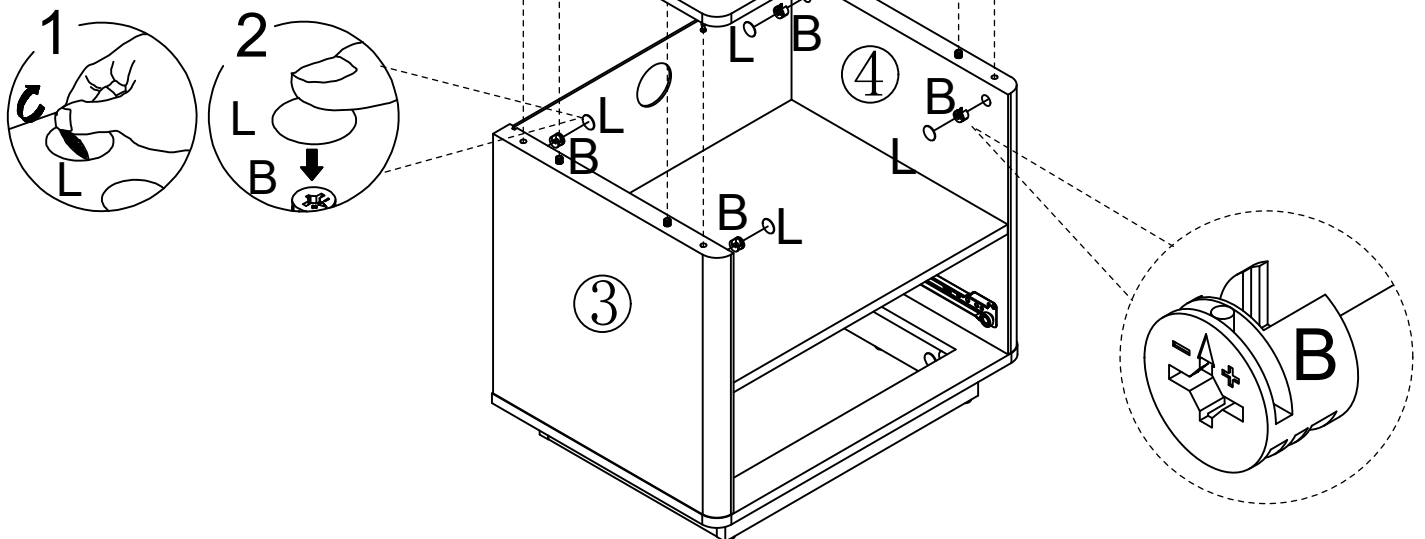
Step 11



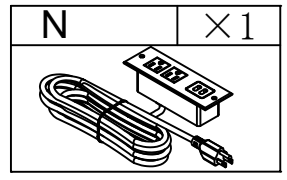
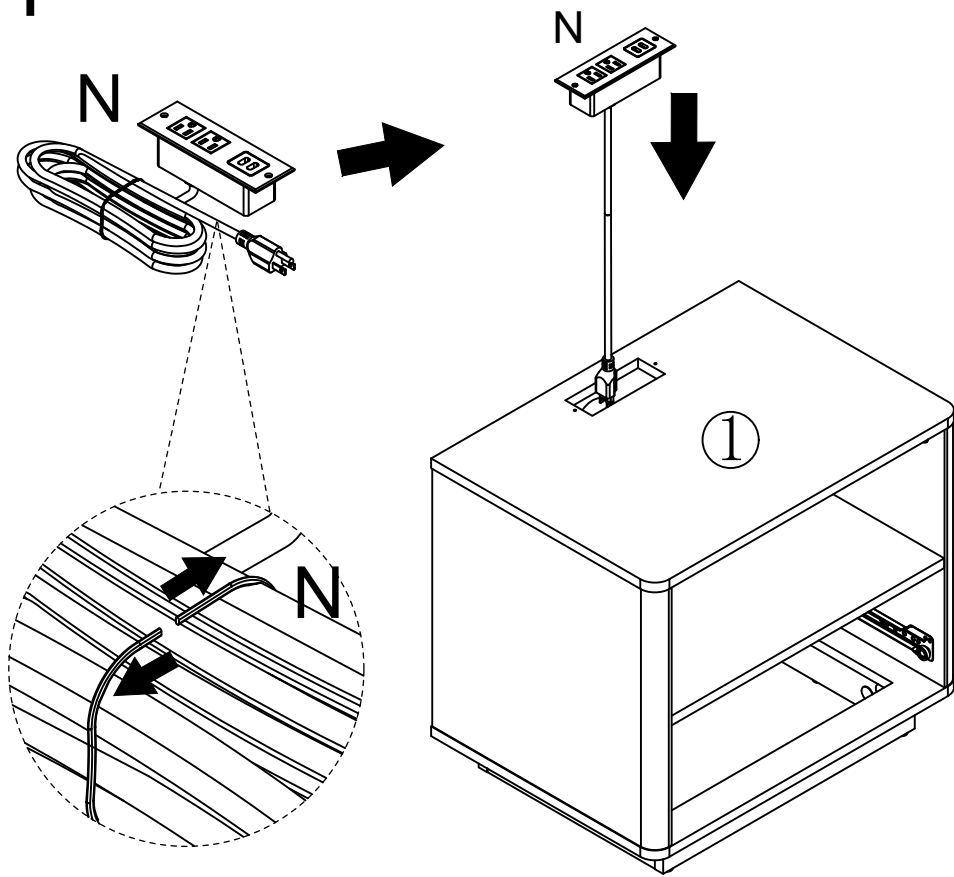
Step 12



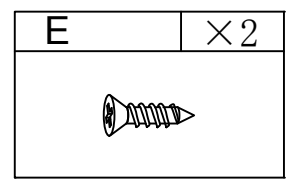
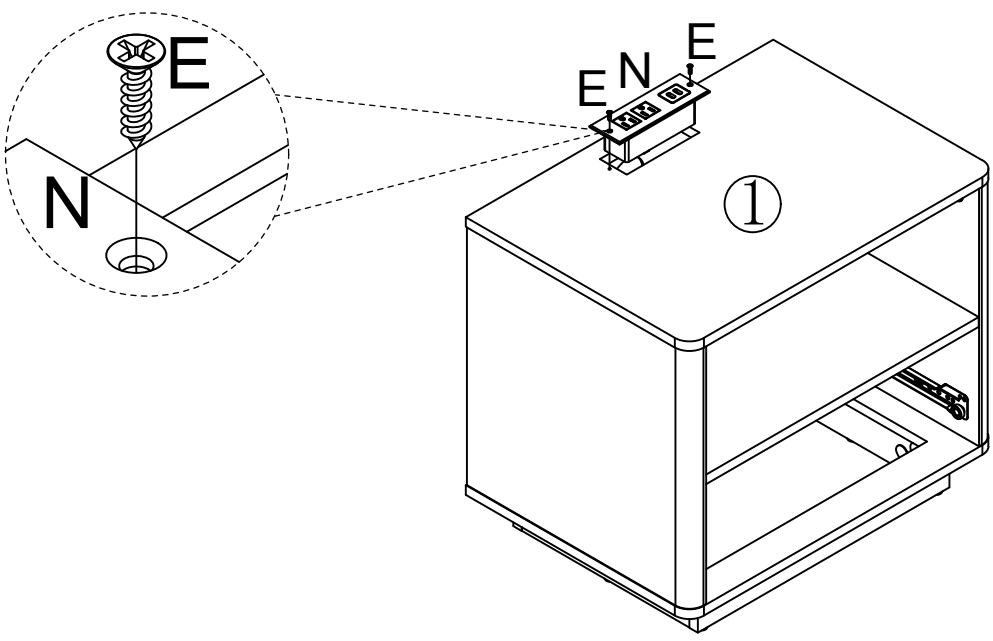
For beauty and safety.
Please attach four L-hole stickers
at the end of this step.



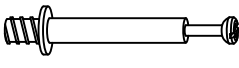


Step 13

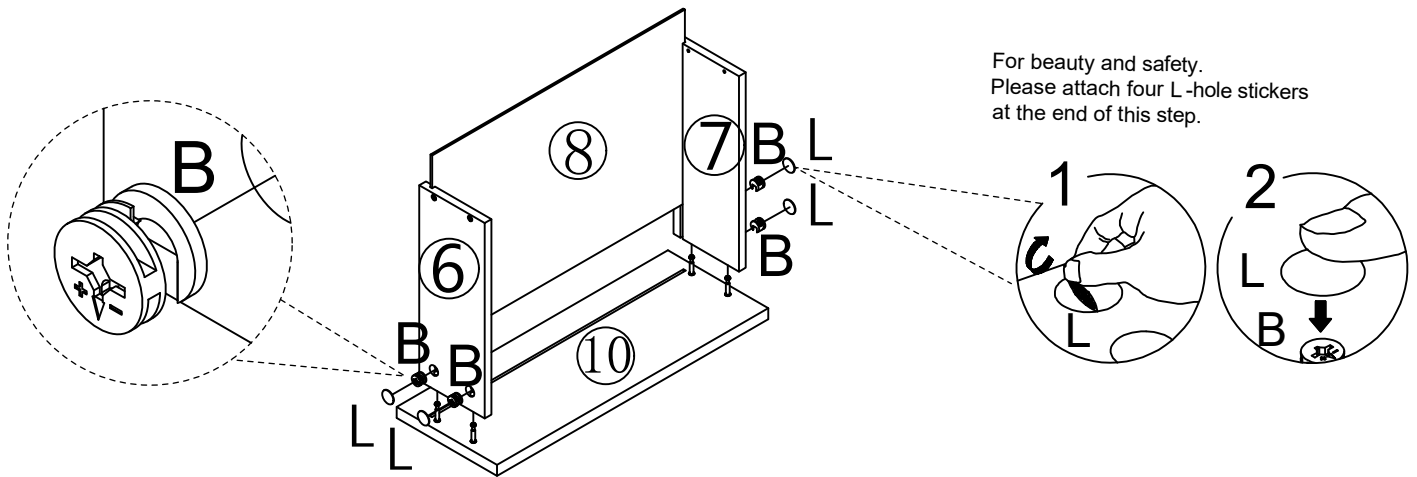
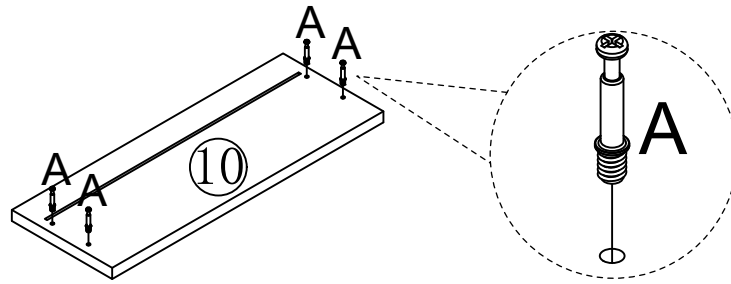


Step 14

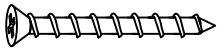


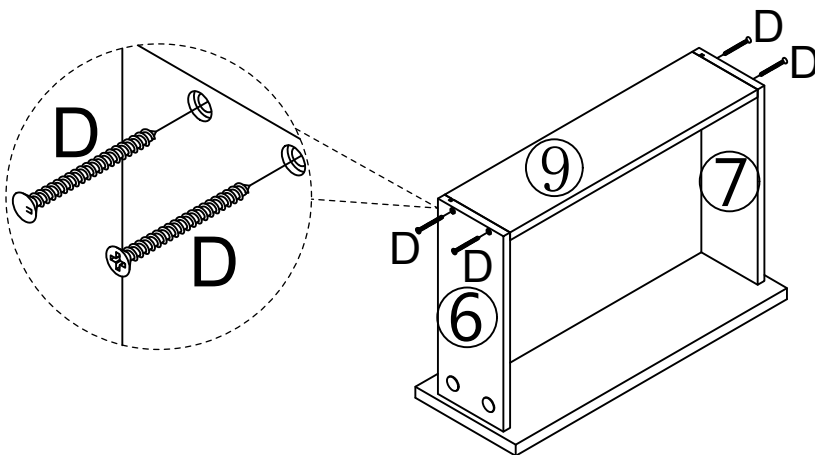
Step 15

A	×4	B	×4	L	×4
					



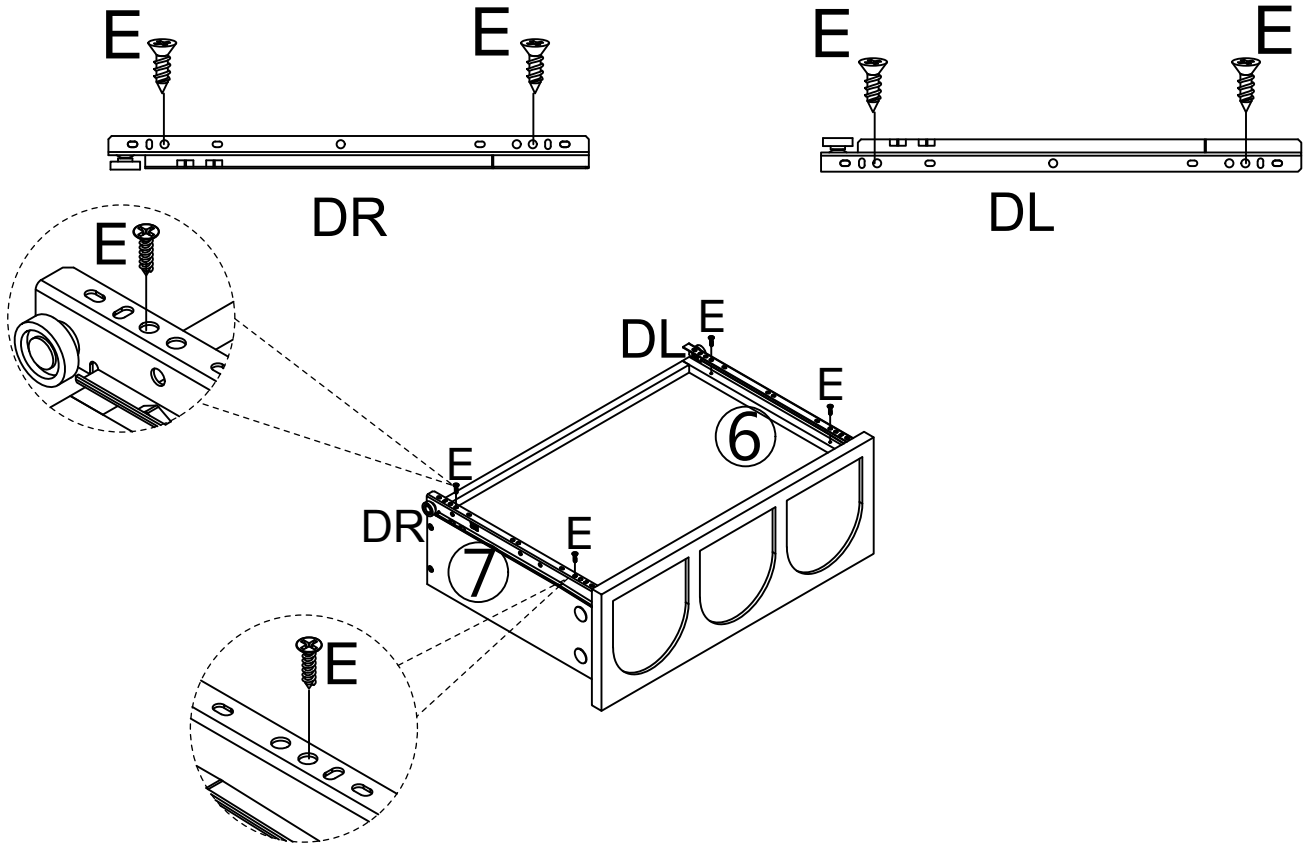
Step 16

D	×4
	

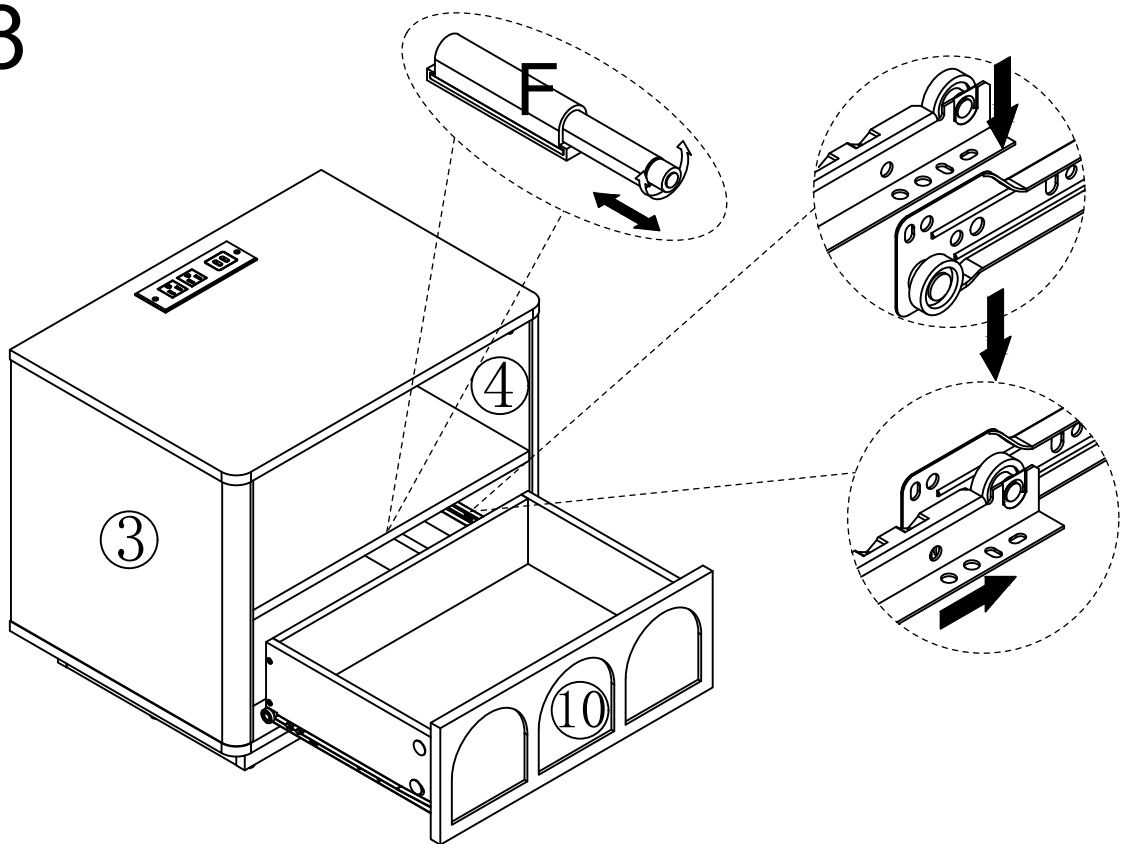


Step 17

DL	×1	DR	×1	E	×4


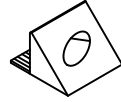


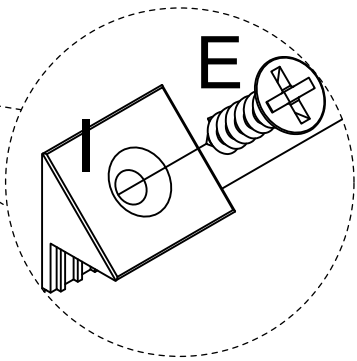
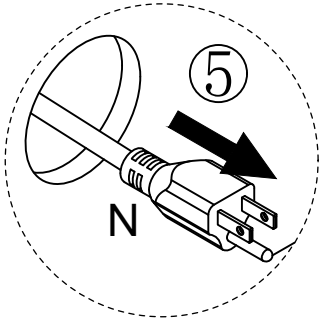
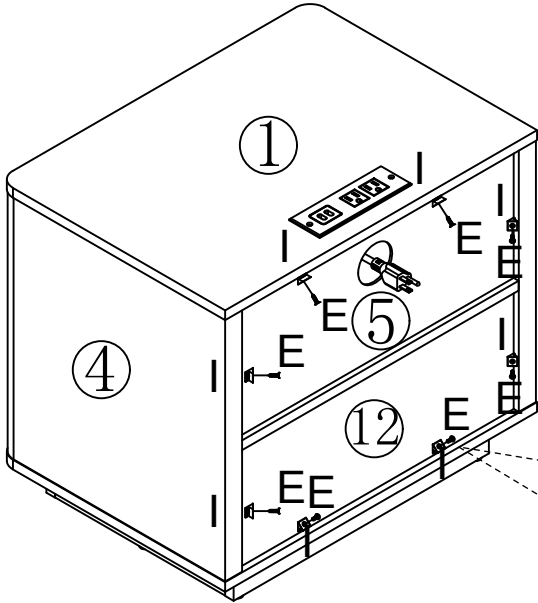
Step 18



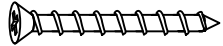
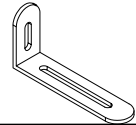

If the drawer does not pop out after pressing it, please adjust the rebound device according to the drawing

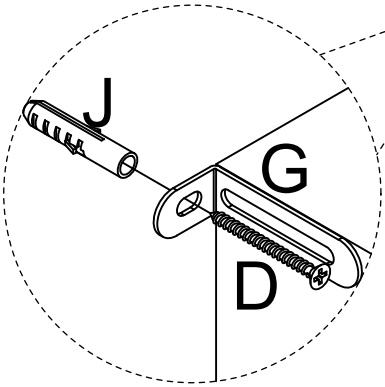
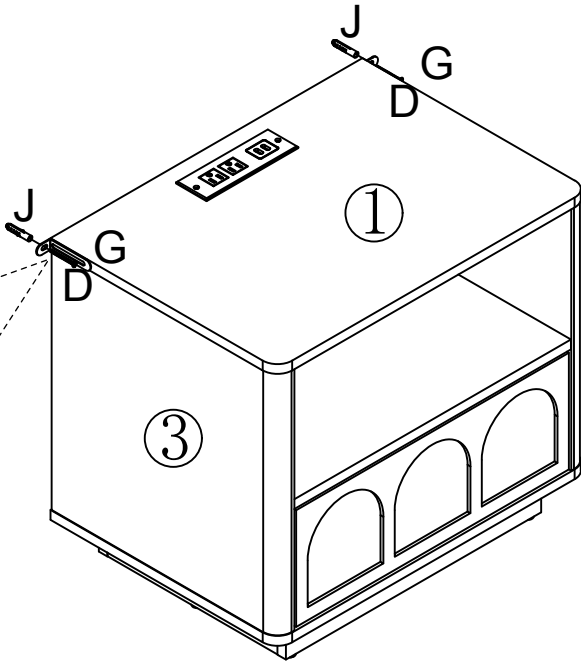
Step 19

E	×8	I	×8
			



Step 20

D	×2	G	×2	J	×2
					



Step 21

E	×2
