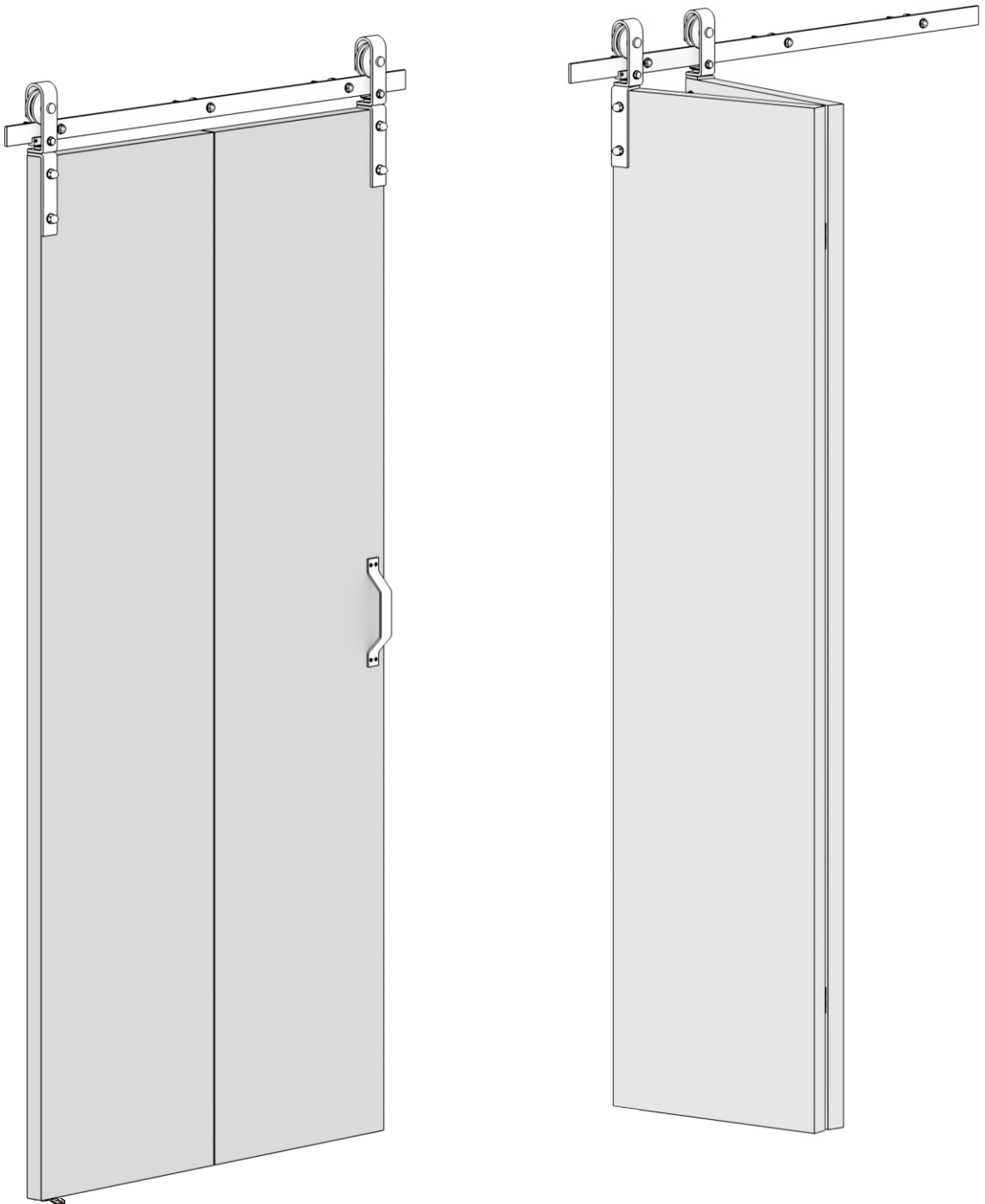


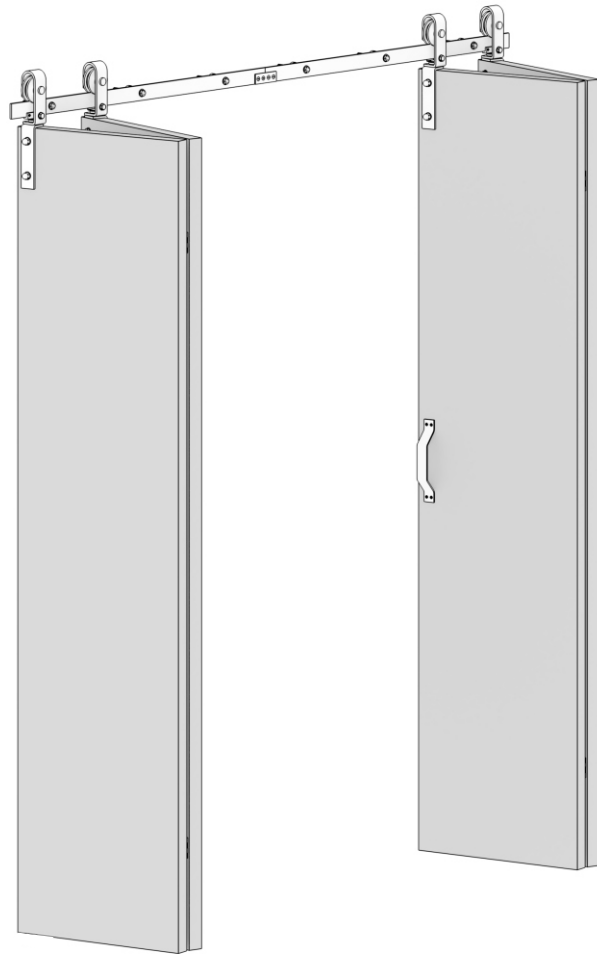
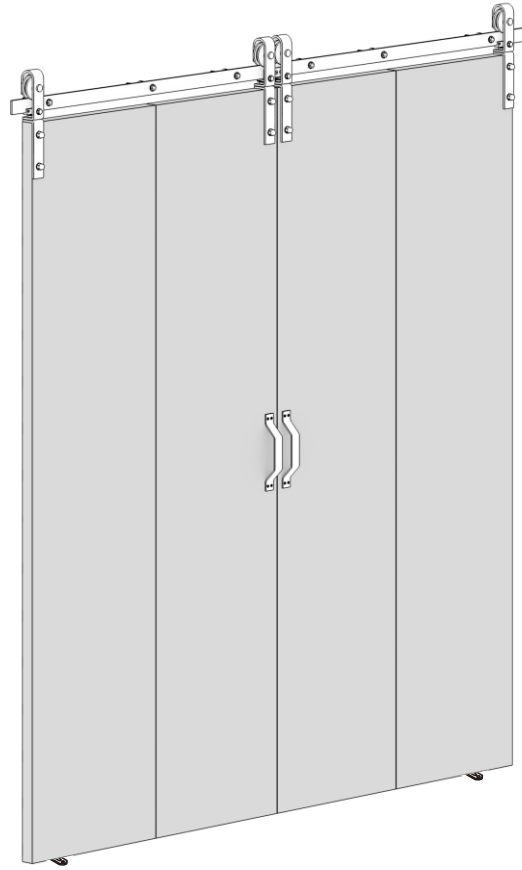


COAST SEQUOIA INC

Bi-Fold Barn Door Hardware Instruction Manual



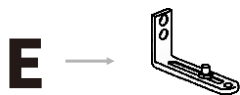
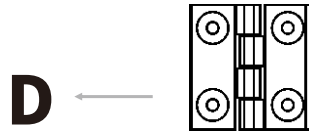
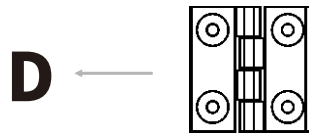
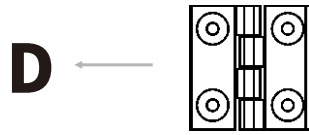
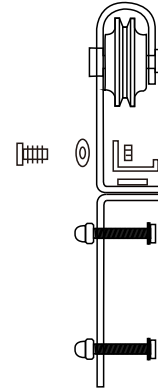
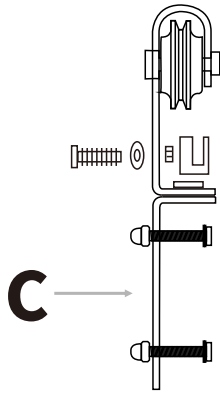
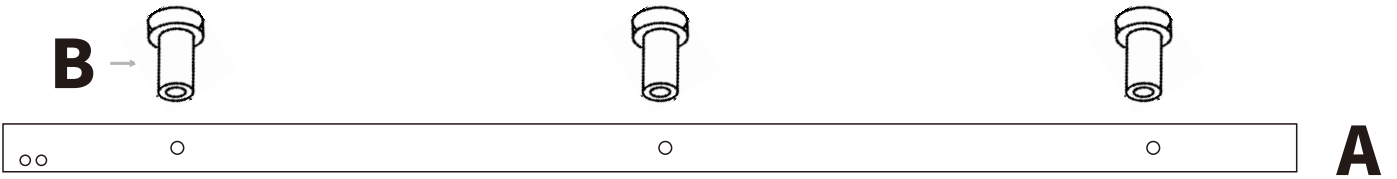
(J-Shape Single Door)



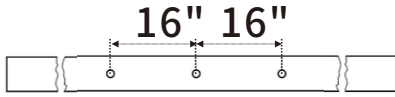
(J shape double door)

Door hardware kit includes

Product Content



A Flat Track (X1)



*All sizes of track holes have a pitch of 16 "

B Adjustable Spacer (X3)



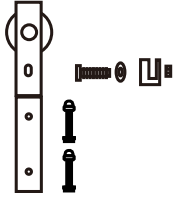
Lag bolt (X3)



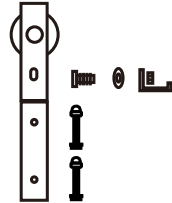
Washer (X3)



C

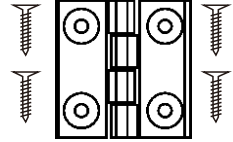


“U” shaped screw
Steel Hanger (X1)



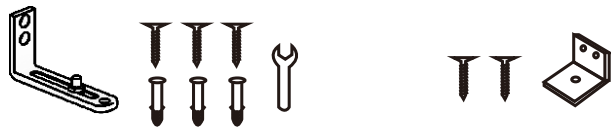
“L” shaped screw
Steel Hanger (X1)

D

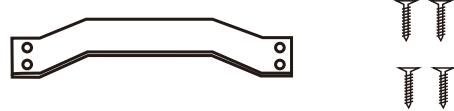


Door Hinge (X3)

E Bottom Pivot and Bracket (X1)



F Handle (X1)



G Junction Plate(For double doors)



Tools Needed

Pencil



Phillips Screwdriver



Wrench



Plumb Bob



Tape measure



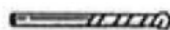
Wrench



Drill



Drill Bit 1/4"(6mm)



Drill Bit 2/5"(10mm)



Prepare and Install the Tracks

1 Locate Spacer Holes

A Track (X1)



Tape measure



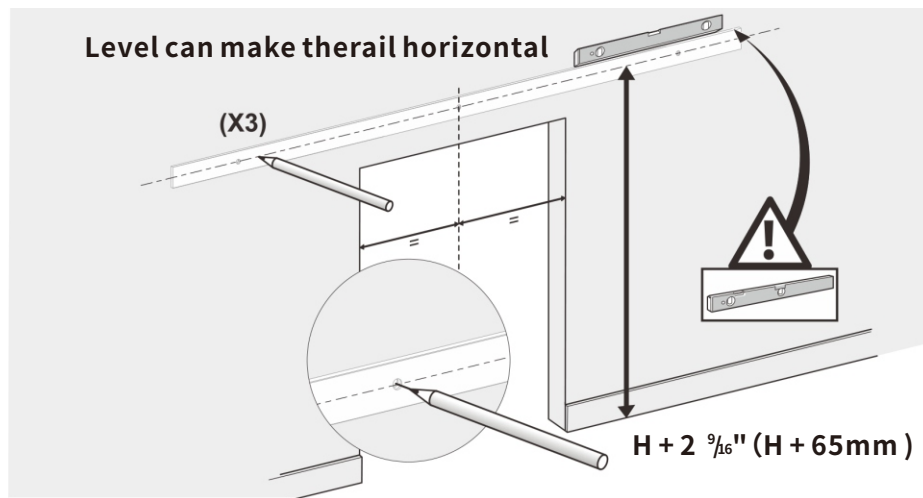
Pencil



Wrench



Place the rail against the wall, Using a level, draw a line for the Track, and use a pencil to mark where the holes should be. Make sure the height of holes on the wall is $H + 2 \frac{9}{16}''$ ($H + 65\text{mm}$)



2 Drill Holes

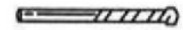
Drill



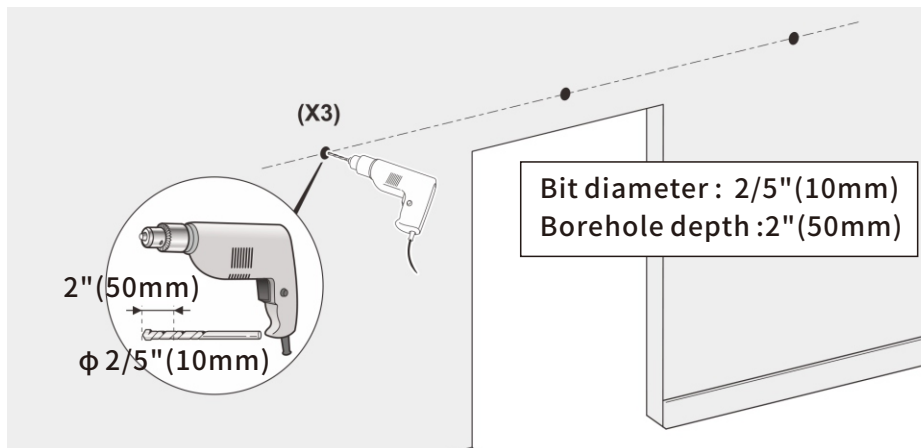
Drill Bit
 $1/4''$ (6mm)



Drill Bit
 $2/5''$ (10mm)



Then, pre-drill $2/5''$ (10mm) holes into the concrete according to your marks



Note:

Concrete wall: Drill holes by using a $2/5''$ (10mm) concrete drill bit.

Wood framed wall: Drill out the holes by using a drill with $1/4''$ (6mm) drill bit.

3 Install The Track

A Track (X1)



B $\phi 10$
(x3)



Spacer
(x3)



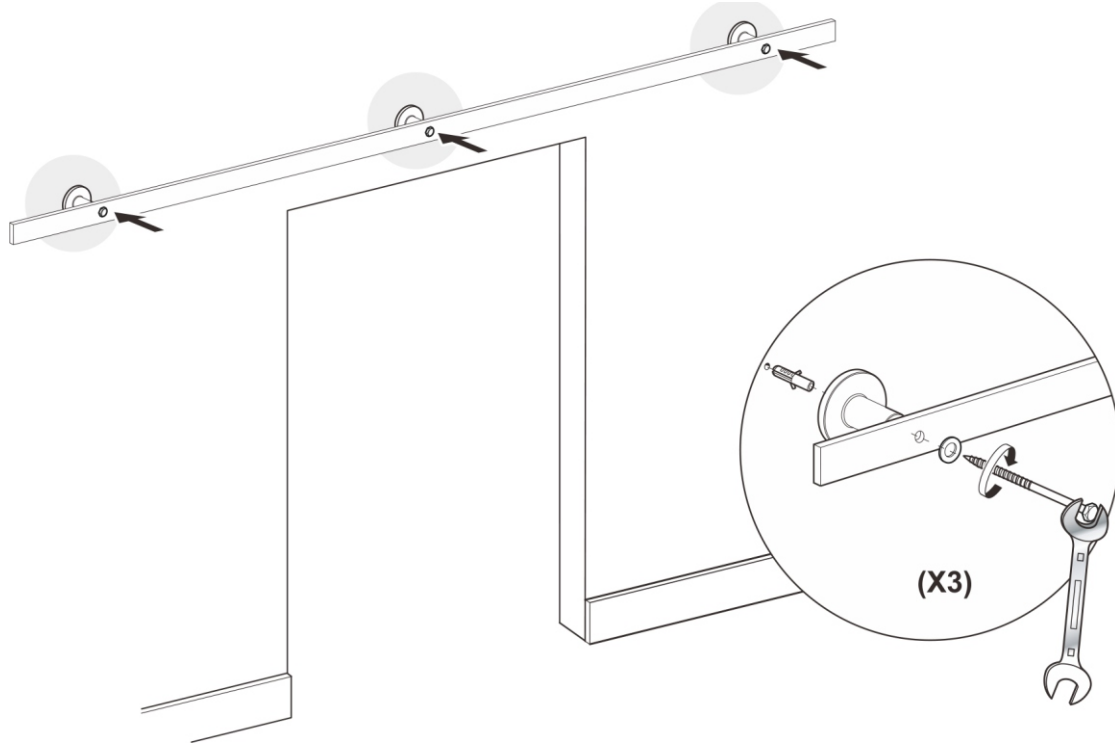
Washer
(x3)



Lag bolt
(x3)



Wrench

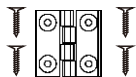


Concrete wall installation .

Install the anchor to holes on the concrete wall first ,
then install lag bolt to anchor .

4 Install Hinges

D Door Hinge (X3)



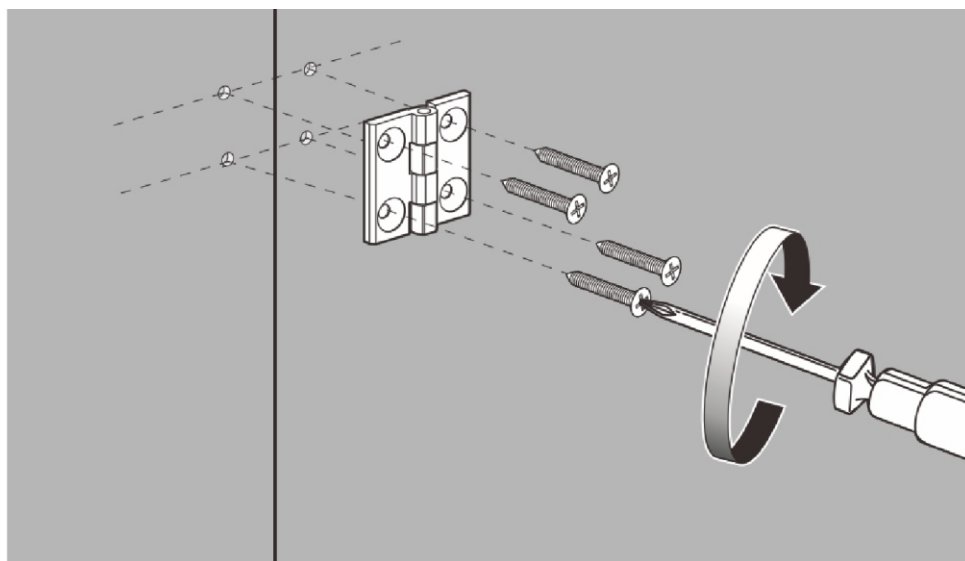
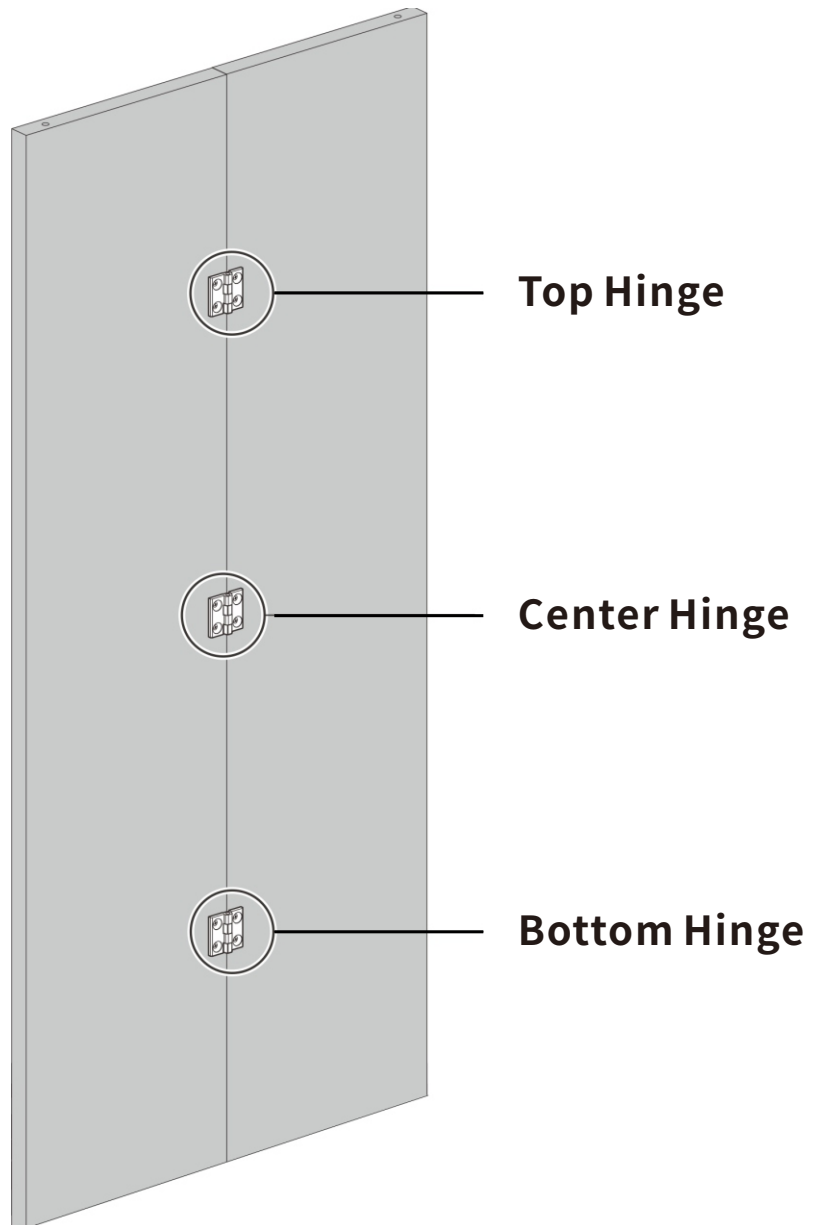
Pencil



Phillips Screwdriver



- 1 Lay the doors to be joined together face down on a flat surface.
- 2 Butt the doors together with a $1/16$ " (1mm) gap in between (approximate thickness of 3-4 business cards).
- 3 Space the hinges approximately 10"-12" (254-304mm) down from the top and up from the bottom of the doors.



4 Secure the hinges to the door with the supplied flathead screws

Prepare Your Doors

5 Attach steel Hangers to Your Doors

C Steel Hanger (X2)



Wrench



Drill



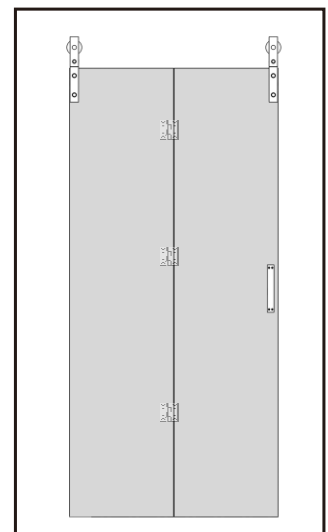
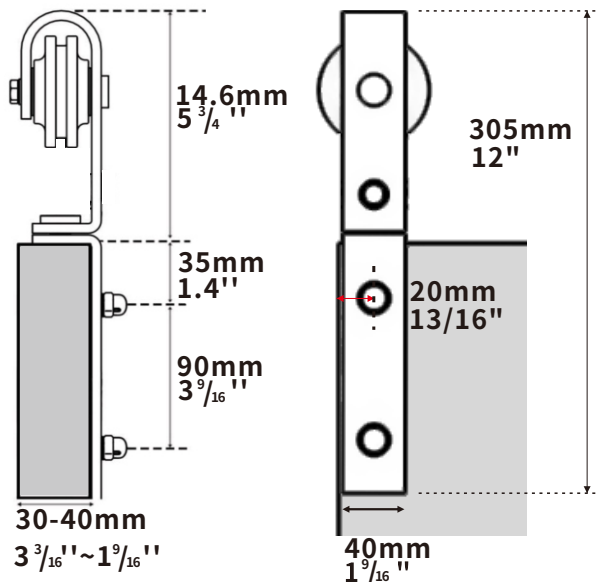
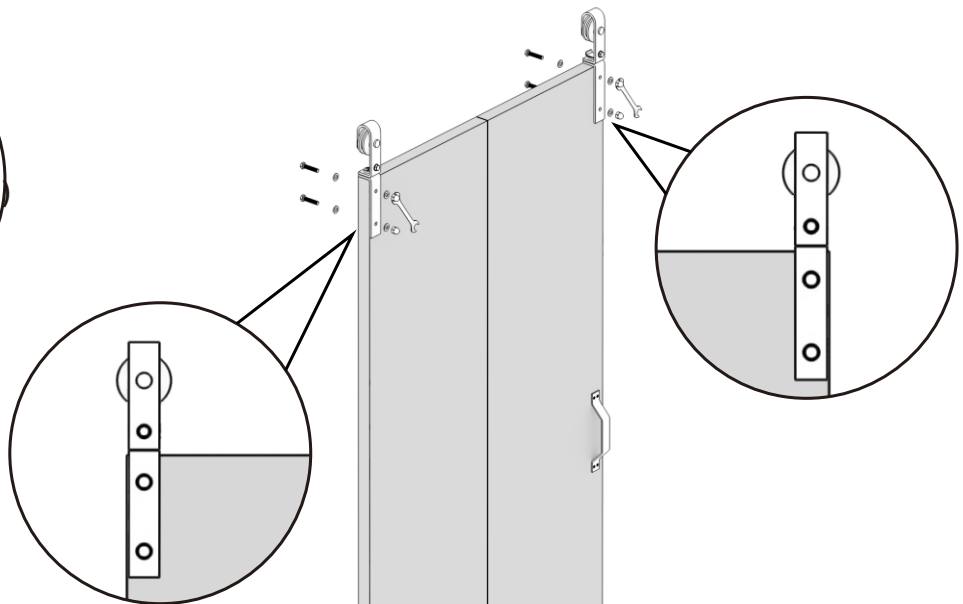
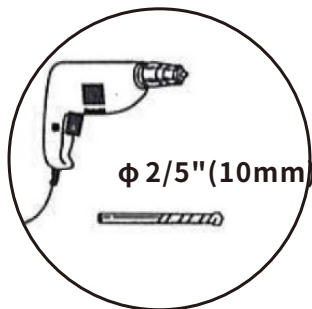
Drill Bit 2/5"(10mm)



Install the hangers onto the door according to the measurement in the pictures below. Maximum door thickness is 1-3/4" (45mm), please add some bolt washers or cut the long door bolts to a suitable length to fit the door.

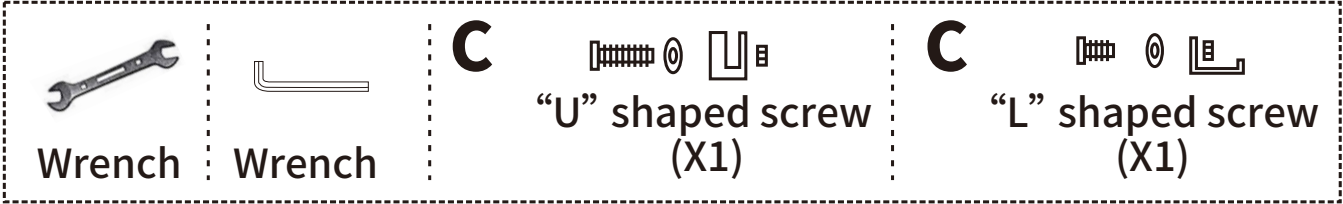
Note:

Make sure the hangers with screw holes are installed in accordance with the position shown in picture



6

Single Door Hanging and Positioning Doors (Fold to the left side)

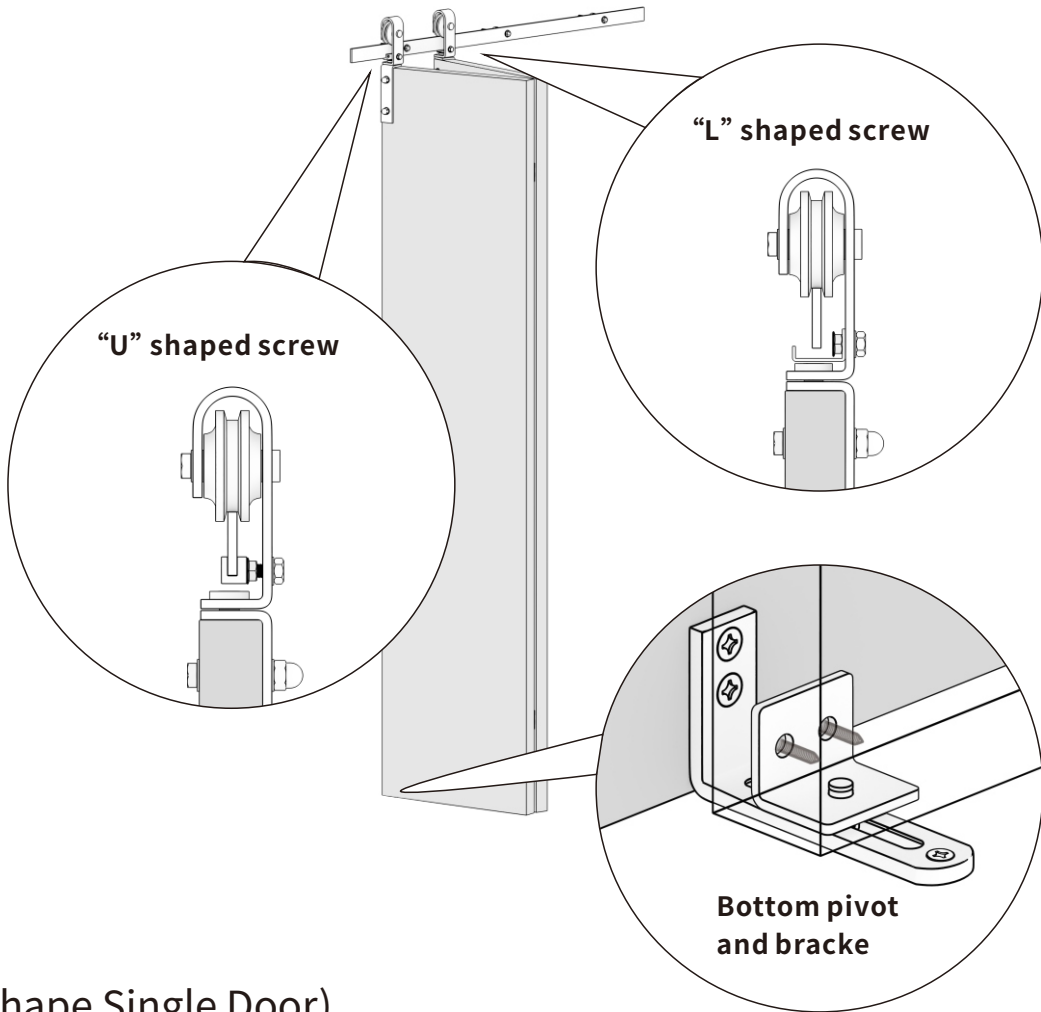


Fold to the left side, the bottom pivot and bracket is on the left side . Drill the holes for handle on the left side Picture for your reference.

For a single door, both rollers should be installed at the edge of the door.

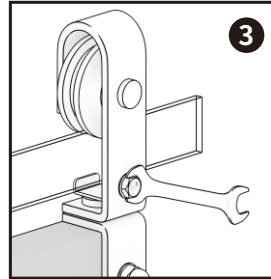
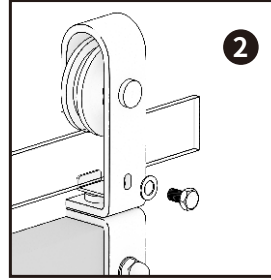
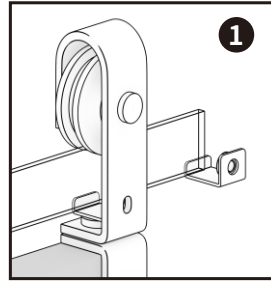
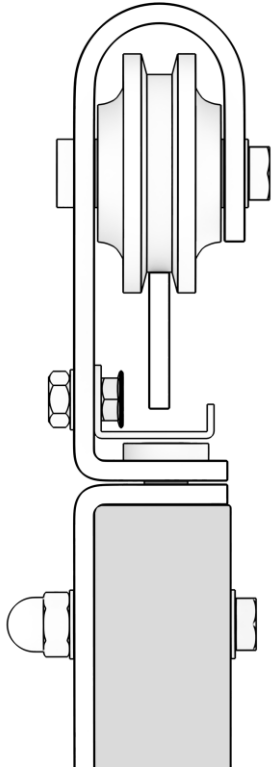
Note:
For your safety, please do as the following. this is to secure the door from falling.

Before hanging the door on the rack: For the fixed doorside, position the "U" shaped screw between the wheel bar and the rack. For the other side, position the "L" shaped screw between the wheel bar and the rack. Then tight the sides up with provided screws.

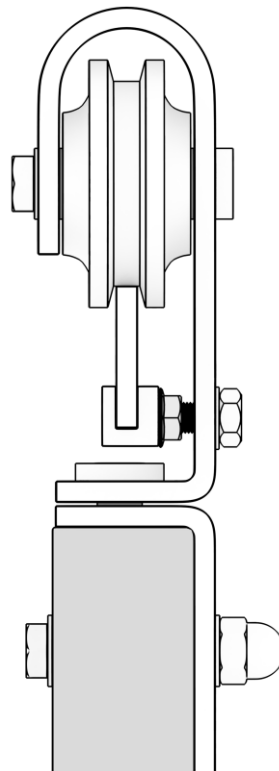
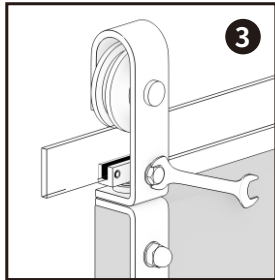
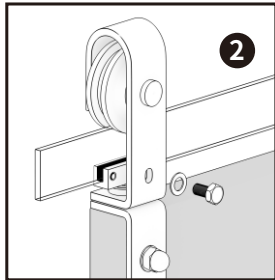
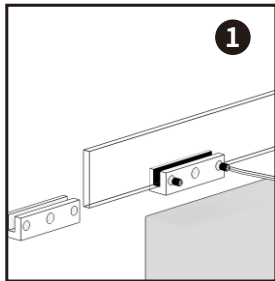


(J-Shape Single Door)

“L” shaped screw



“U” shaped screw



6

Single Door Hanging and Positioning Doors (Fold to the right side)



Wrench



Wrench



“U” shaped screw
(X1)



“L” shaped screw
(X1)

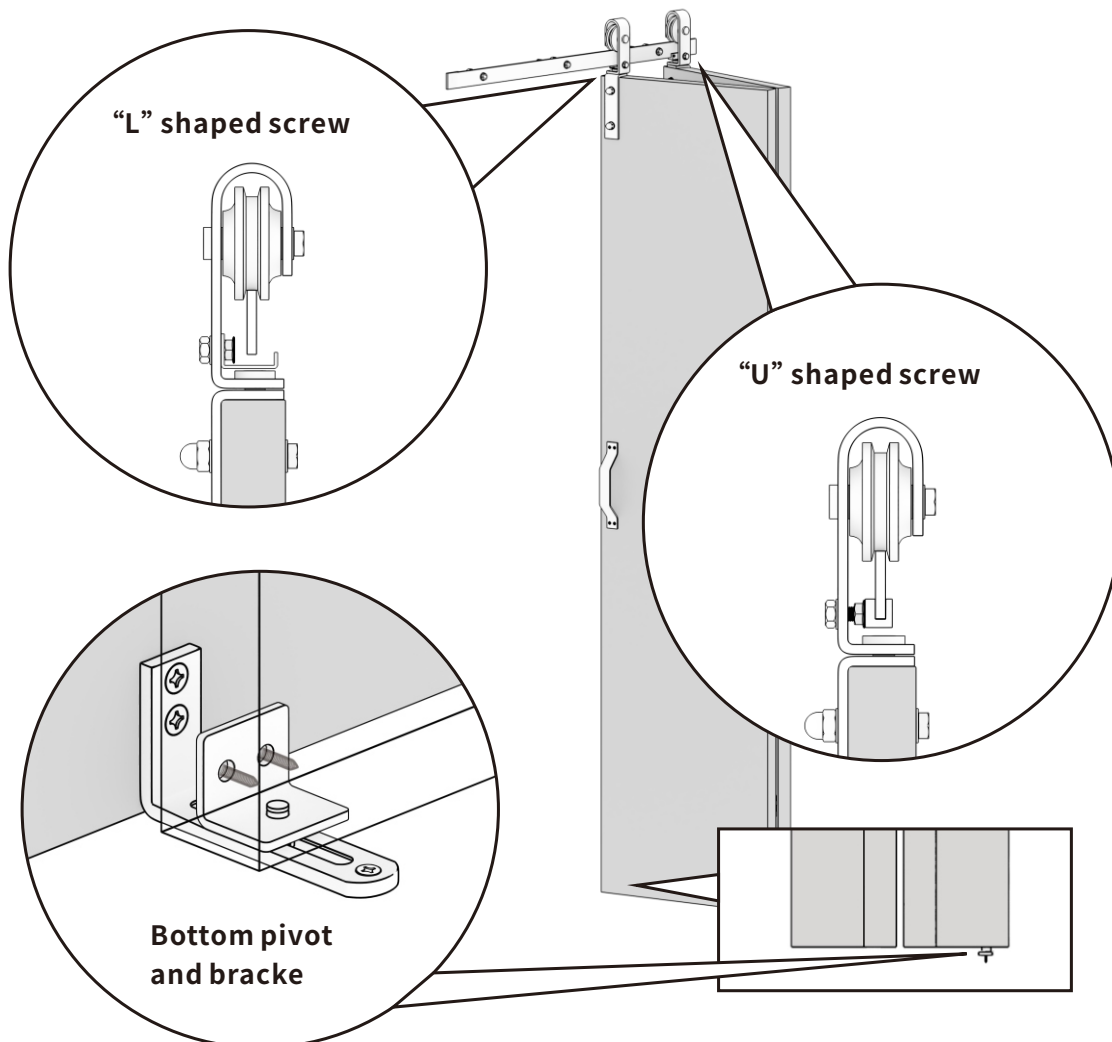
Fold to the right side, the bottom pivot and bracket is on the right side . Drill the holes for handle on the left side Picture for your reference.

For a single door, both rollers should be installed at the edge of the door.

Note:

For your safety, please do as the following. this is to secure the door from falling.

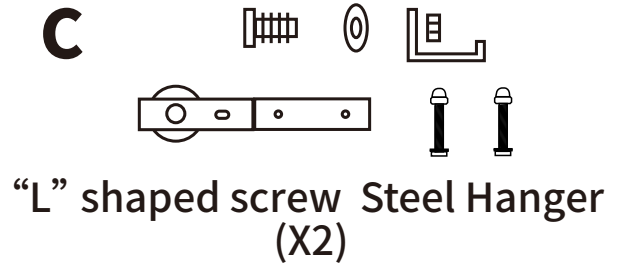
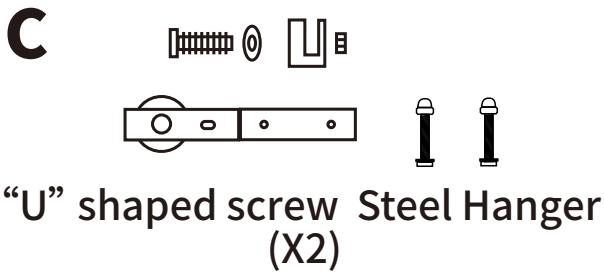
Before hanging the door on the rack: For the fixed doorside, position the “U” shaped screw between the wheel bar and the rack. For the other side, position the “L” shaped screw between the wheel bar and the rack. Then tight the sides up with provided screws.



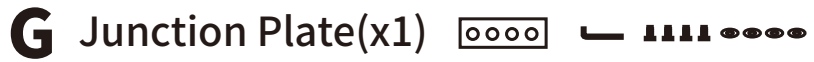
(J-Shape Single Door)

6

Double Door Hanging and Positioning Doors (For a double door)



Wrench 

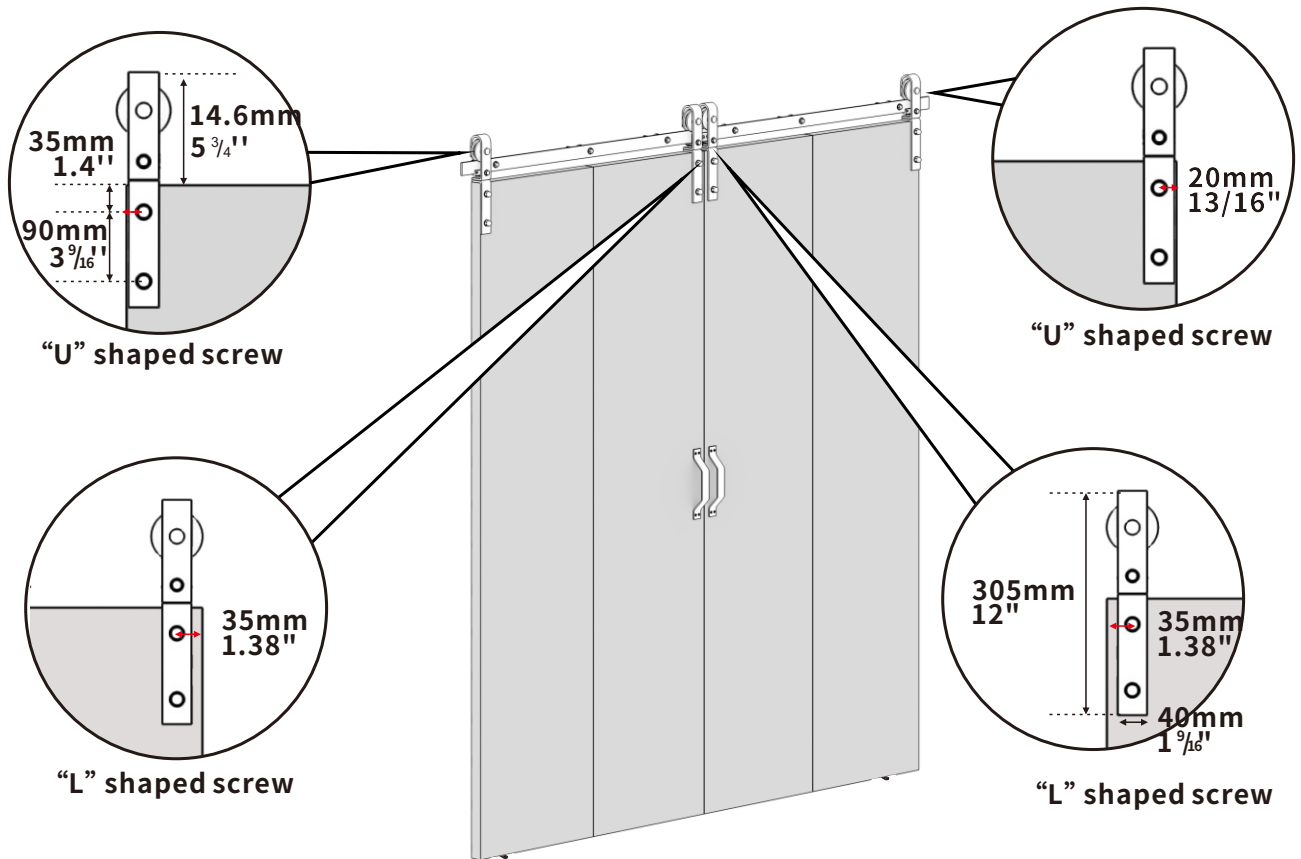


Note:

For your safety, please do as the following. this is to secure the door from falling.

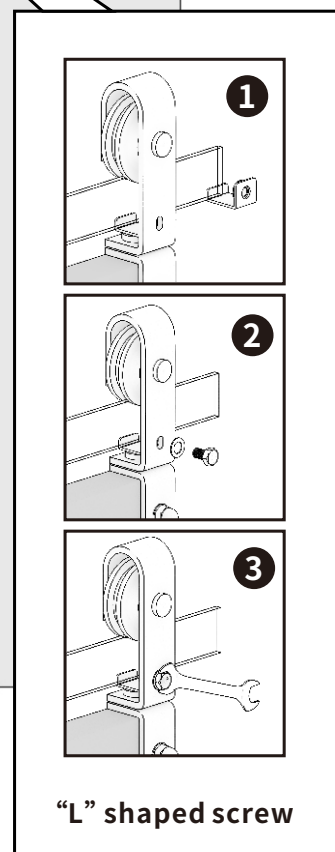
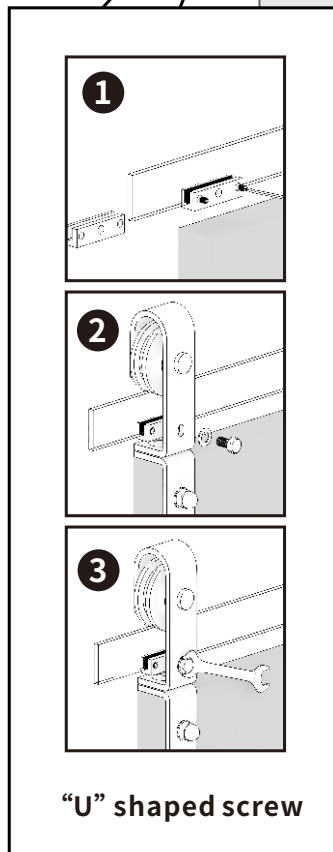
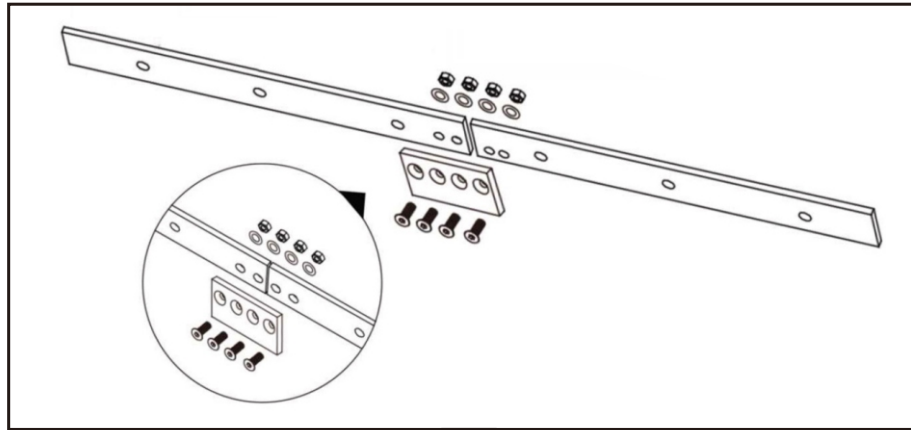
For a double door, the hangers on each door side out should be placed on the edge of the side.

For each side in, the hangers should be placed 1.38” to make sure the doors are fully closed when sliding. Don’ t forget to mount the junction plate .



(J shape double door)

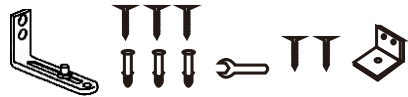
Before hanging the door on the rack: For the fixed doorside, position the “U” shaped screw between the wheel bar and the rack. For the other side, position the “L” shaped screw between the wheel bar and the rack. Then tight the sides up with provided screws.



(J shape double door)

7 Install the Bottom Pivot and Bracket

E



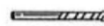
Bottom Pivot and Bracket
(X1)



Pencil



Drill



Drill Bit
1/4" (6mm)

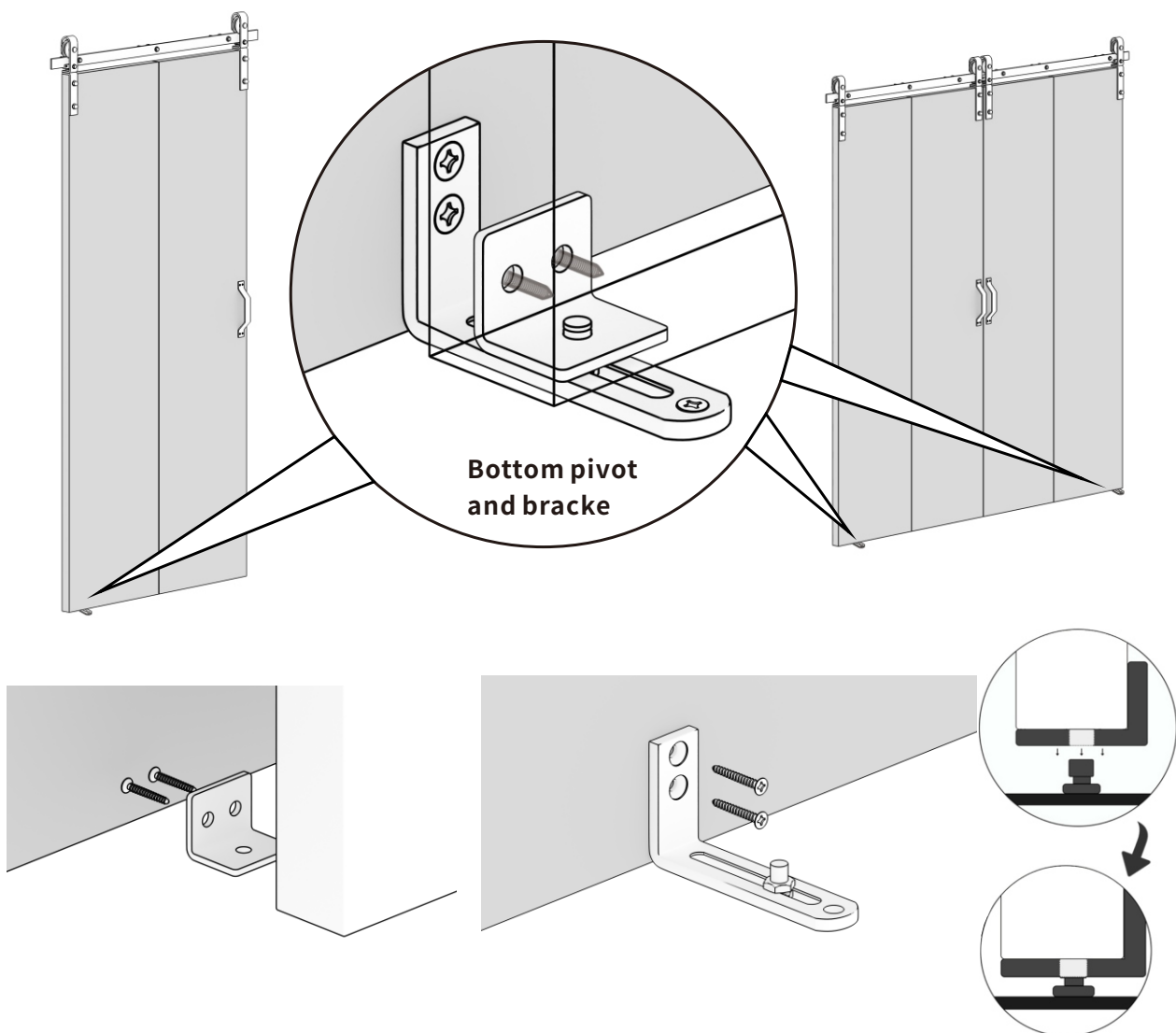


Phillips
Screwdriver

- 1 Mark the location of the holes at the bottom of the door with a pencil according to the dimensions indicated in the figure below.

Note:

The Bottom Pivot and Bracket need to align with the center of the top connector plate used with the fixed roller.



- 2 Install the metal plate at the bottom of the door panel.
- 3 Install the floor guide on the wall.

WARNING

- Failure to wear proper safety gear (i . e , eye protection) may result in serious injury or death . Always wear proper safety gear before using power tools .
- Improper operation of power tools may result in loss of control, serious injury or death . Always ensure you have complete control of the power tool and the work area is free of hazards before operating a power tool .
- Lack of secure clamping of the door may result in unexpected movement of the door , loss of power tool control and serious injury or death . Always securely clamp the door in place before cutting or drilling the door .
- Lack of or improperly installed anti-jump pads may result in the door coming off the track and cause serious injury or death installation of anti-jump pads are required for safe operation of this hardware .installed properly , these anti-jump pads will keep the door securely attached to the track.

CAUTION

- Mishandling of heavy objects (i.e., doors) may cause a loss of balance and serious injury . Always be sure you have a secure hold on the object and are balanced before moving the object . Always wear safety shoes when lifting heavy objects.
- Getting body parts (i. e., hair , fingers) caught in moving parts may cause pinching and serious injury . Do not put fingers in parts that may move and always remove or contain anything on your body that may become entangled with a moving part .
- Closing sliding doors with your hand on the end of the door may result in your hand , or fingers , getting caught between the door and other solid objects (i . e., another door , molding) causing serious injury . Always use the door handle to close doors.

Usage Statement :

Use of excessive force when opening , and closing , the door (s) may result in damage to the hardware

Always hold the handle and gently open and close the door (s)