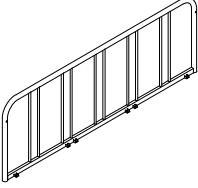
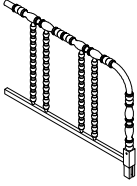
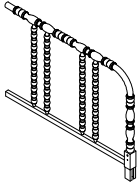


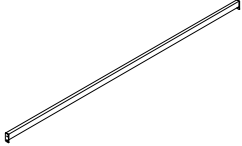
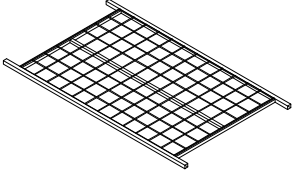
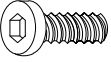
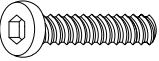


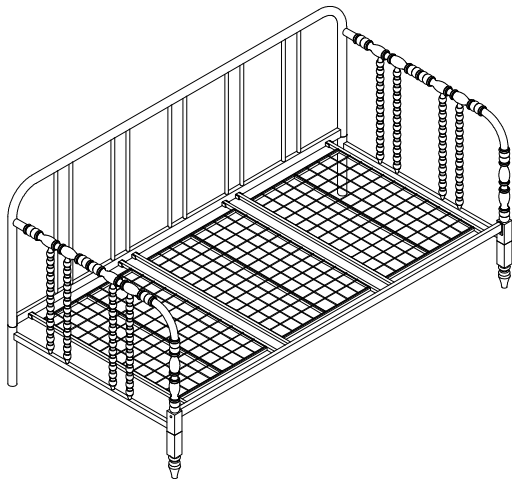


# ASSEMBLY INSTRUCTION

## METAL SPOOL DAYBED

<b>A</b> Frame - Back  1pc	<b>B</b> Frame - Left  1pc	<b>C</b> Frame - Right  1pc	<b>D</b> Extension Leg - Back  2pcs
<b>E</b> Extension Leg - Front  2pcs	<b>F</b> Front Rail  1pc	<b>G</b> Mattress Frame  3pcs	<b>H</b> Bolt Ø1/4" x 5/8"  18pcs
<b>I</b> Bolt Ø1/4" x 2-1/4"  6pcs	<b>J</b> Flat Washer Ø1/4" x 16mm  20pcs	<b>K</b> Allen Key M4  1pc	

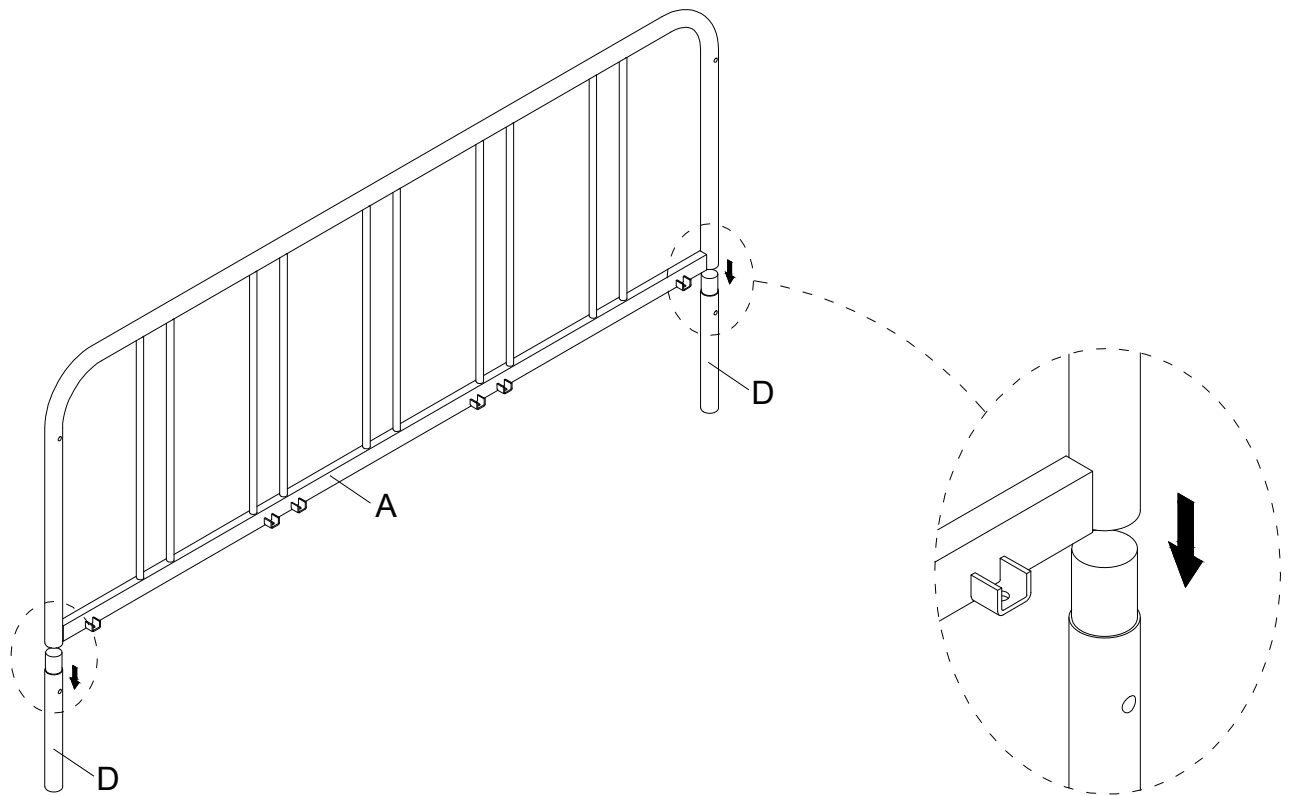


This page lists all the contents included in the box. Please take the time to identify the hardware as well as the individual components to this product. As you unpack and prepare for assembly, place the contents on a carpeted or padded area to protect them from damage.

### **WARNINGS:**

- Use only mattress which is 74"-75" long and 37.5"- 38.5" wide.
- Do not allow horseplay or under the bed and prohibit jumping on the bed.
- Periodically check and ensure that all the components are in their proper position, free from damage, and that all connectors are tight.
- Do not use substitute parts, contact the store for replacement part.
- Maximum total loading weight is not to exceed 400 lbs.
- **Keep these instructions for future reference.**

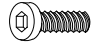


**1** Insert Extension Leg - Back (D) to Frame - Back (A) as below shown.

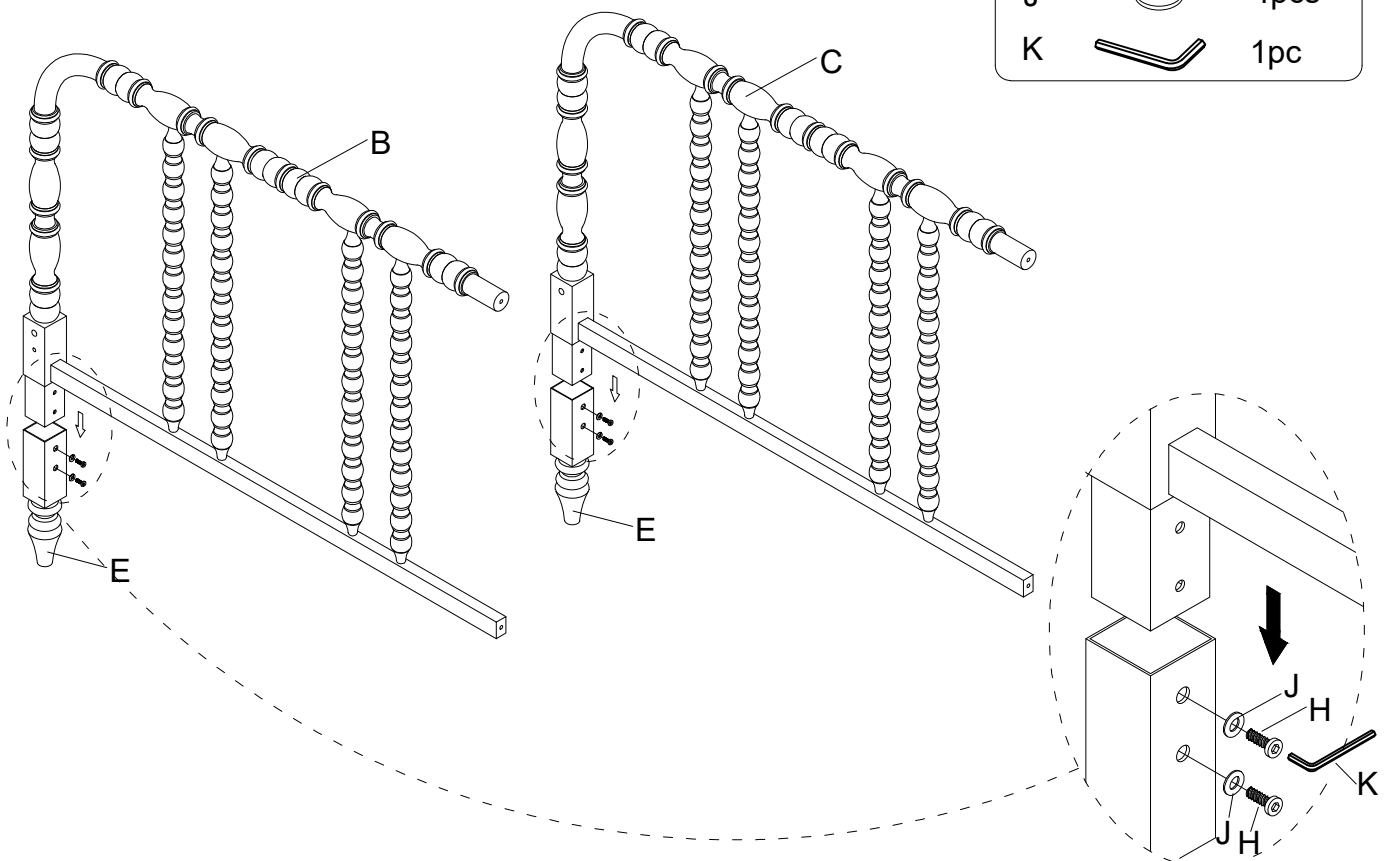


**Remind:**

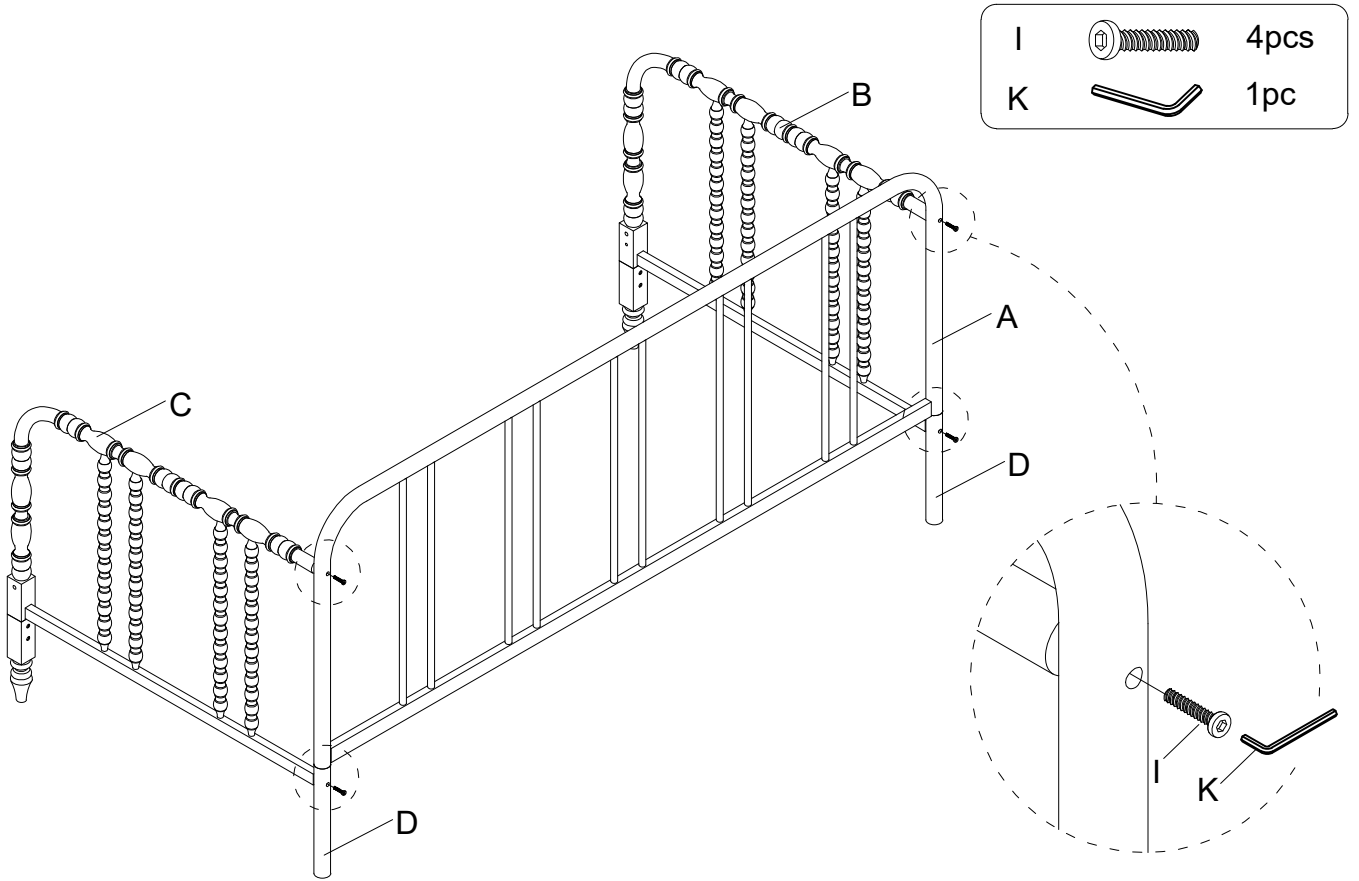
Do not fully tighten all bolts until assembly is complete.  
This will help all parts to assemble properly.

**2** Insert Frame - Left (B) & Frame - Right (C) to Extension Leg - Front (E), using Bolt (H) & Flat Washer (J) by Allen Key (K) as below shown.

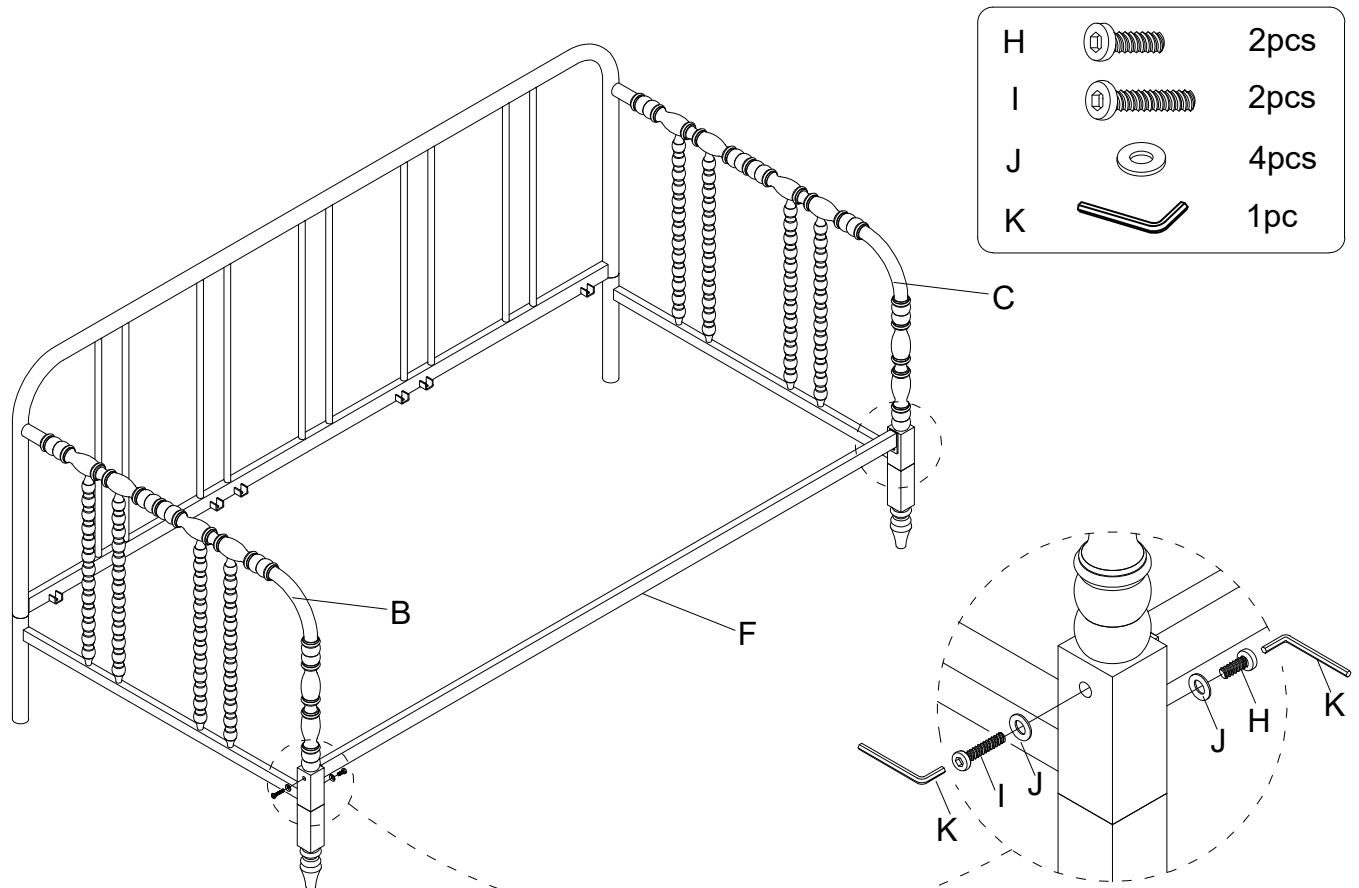
H		4pcs
J		4pcs
K		1pc






**3** Assemble pre-assembled Frame - Left (B) & Frame - Right (C) to the pre-assembled Frame - Back (A) & Extension Leg - Back (D), using Bolt (I) by Allen Key (K) as below shown.

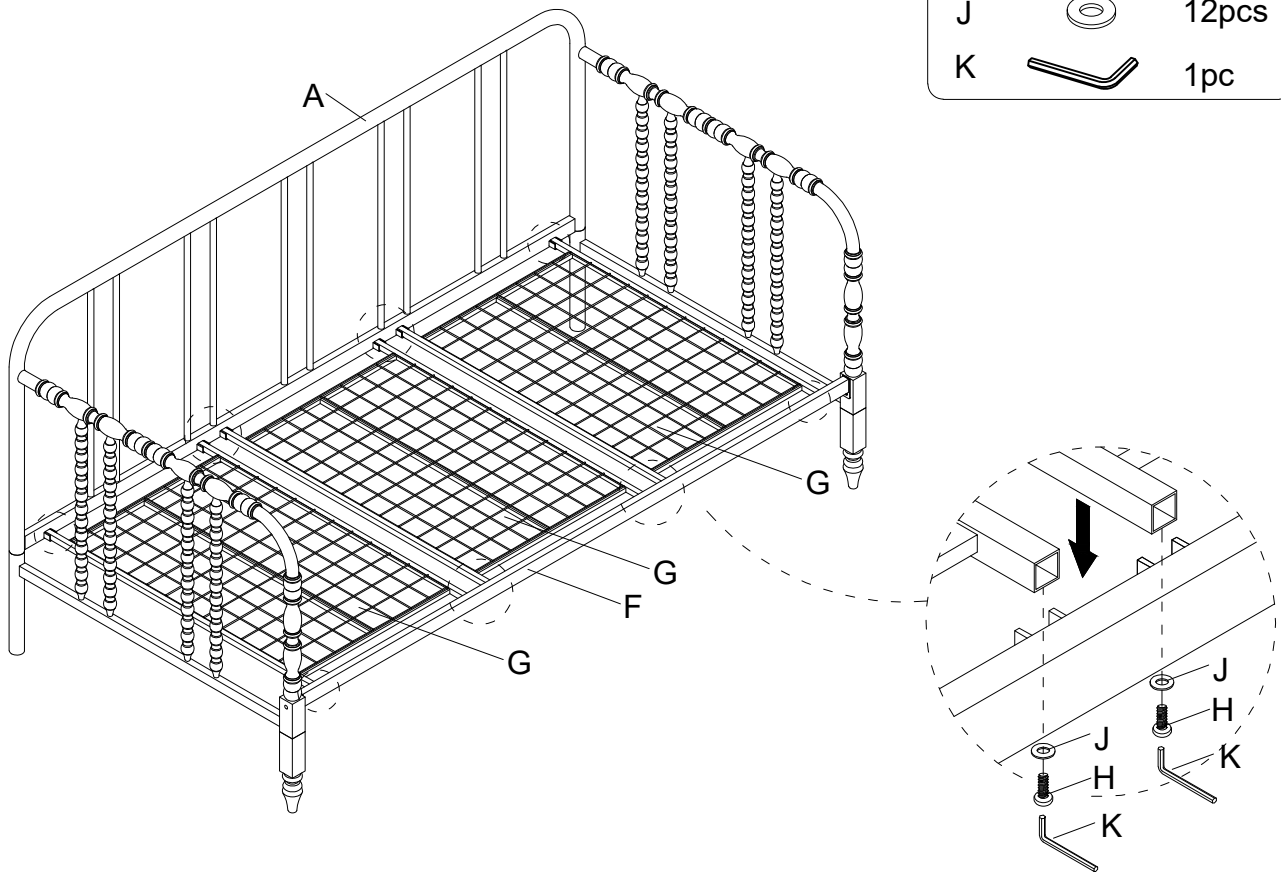


**4** Assemble Front Rail (F) to the pre-assembled Frame - Left (B) & Frame - Right (C), using Bolt (H) & Bolt (I) and Flat Washer (J) by Allen Key (K) as below shown.



**5** Assemble Mattress Frame (G) to Frame - Back (A) & Front Rail (F), using Bolt (H) & Flat Washer (J) by Allen Key (K) as below shown.

H		12pcs
J		12pcs
K		1pc



Adjust any parts out of alignment and tighten all bolts and screws from steps 1 through 5.

### Cleaning & Care

Treat surface with care. Surface is resistant to scratches but is not scratch resistant. Clean surfaces with a dry or damp soft cloth. Do not use abrasive cleaners. Hardware may loosen over time. Periodically check that all connections are tight.