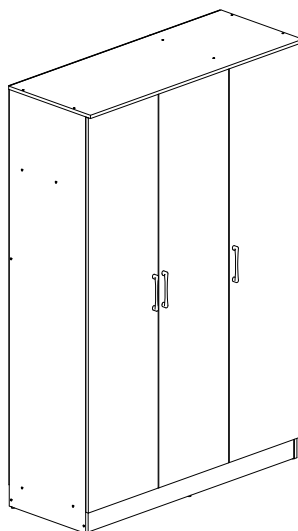


Assembly Instruction

3 DOOR WARDROBE

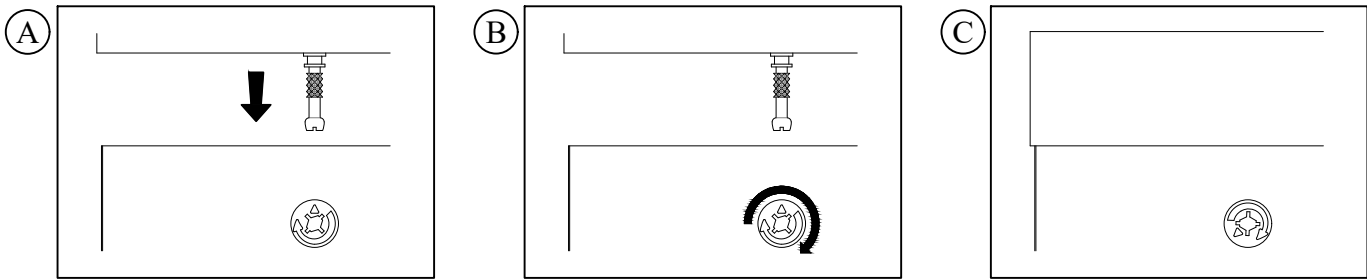


IMPORTANT

PLEASE READ BEFORE YOU CONTINUE FURTHER WARNING, CARE AND MAINTENANCE

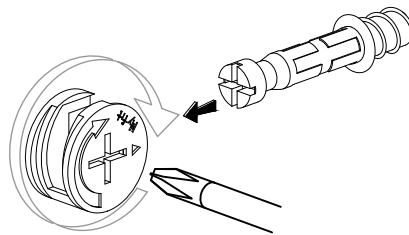
- Please keep the original packaging until the item is fully assembled and in place. In the unlikely event that you need to return your product, it must be returned in its original packaging to avoid further damage. Failure to comply will result in rejection of the return.
- Important: Keep this page for future reference.
- Due to the size of this product, we recommend that it is assembled in the room intended for use.
- When you are ready to start, make sure that you have the right tools, plenty of space which is clean and dry for assembly.
- Unwrap all packaging materials and place the components on top of the carton box or on a clean floor to prevent scratches on product or floor.
- Check that all parts and hardware are present.
- Ensure that this product is fully assembled as illustrated before use.
- Tools not included.
- Ensure all screws and bolts are tightened and inspect regularly.
- This product should be used on firm level ground.
- Keep small parts out of reach of children.
- Make sure the legs are always in contact with the ground.
- Do not use power tools to assemble this product.
- Do not over tighten screws and bolts.
- Do not use this product if parts are missing, damage or worn.
- Do not sit and stand on the product.
- For general cleaning, use a dry, soft cotton or micro fibre cloth, and do not use detergents of any kind.
- Never use scourers, abrasives or chemical cleaners.

Assembly Instruction



**Use a screwdriver to tighten the cam nuts as the sequence above.
A quarter turn clockwise is all that is needed.**

This is how a cam nut works:



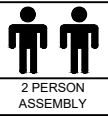
The head of the cam bolt goes into the open mouth of the cam nut.
You then turn the cam nut so it tightens over the bolt.










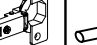
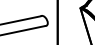
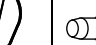




TWO PERSONS REQUIRED TO ASSEMBLE THIS PRODUCT

1. Please check that you have all parts listed before you start assembling. If you do find that something is missing, do not continue assembly. Please contact your supplier immediately.
2. Lay out all of the components on a soft surface as if you were preparing to do jigsaw puzzle.
3. Separate and identify each component from the hardware pack and rest each one in its proper location before fastening.

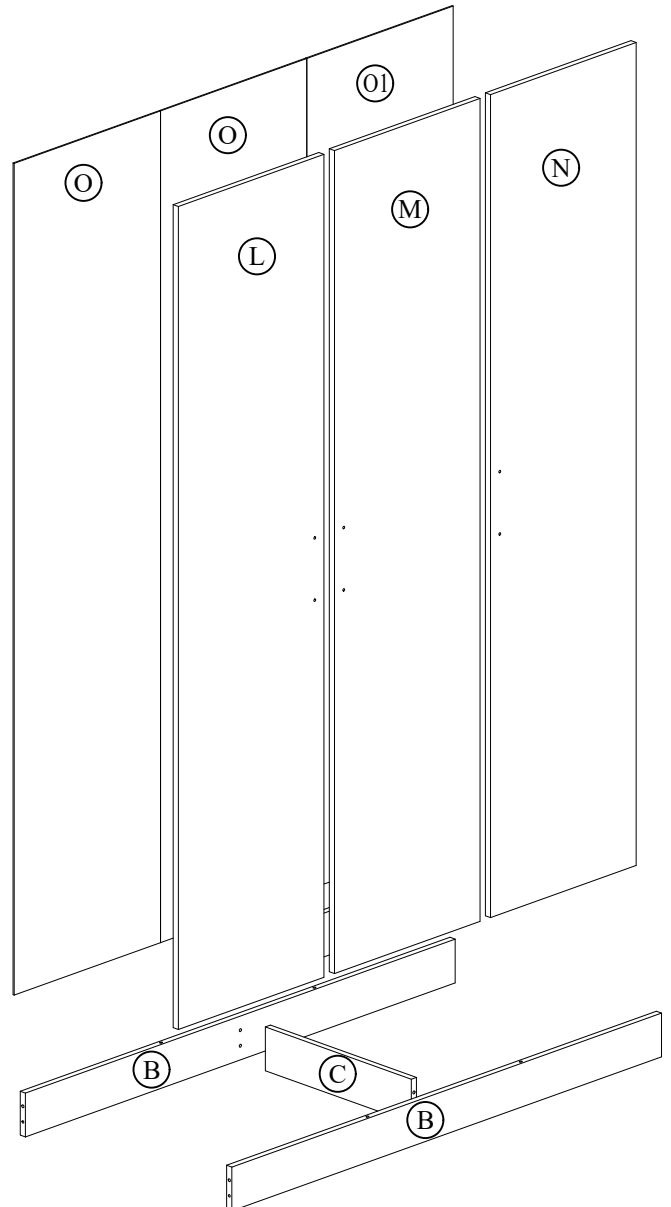
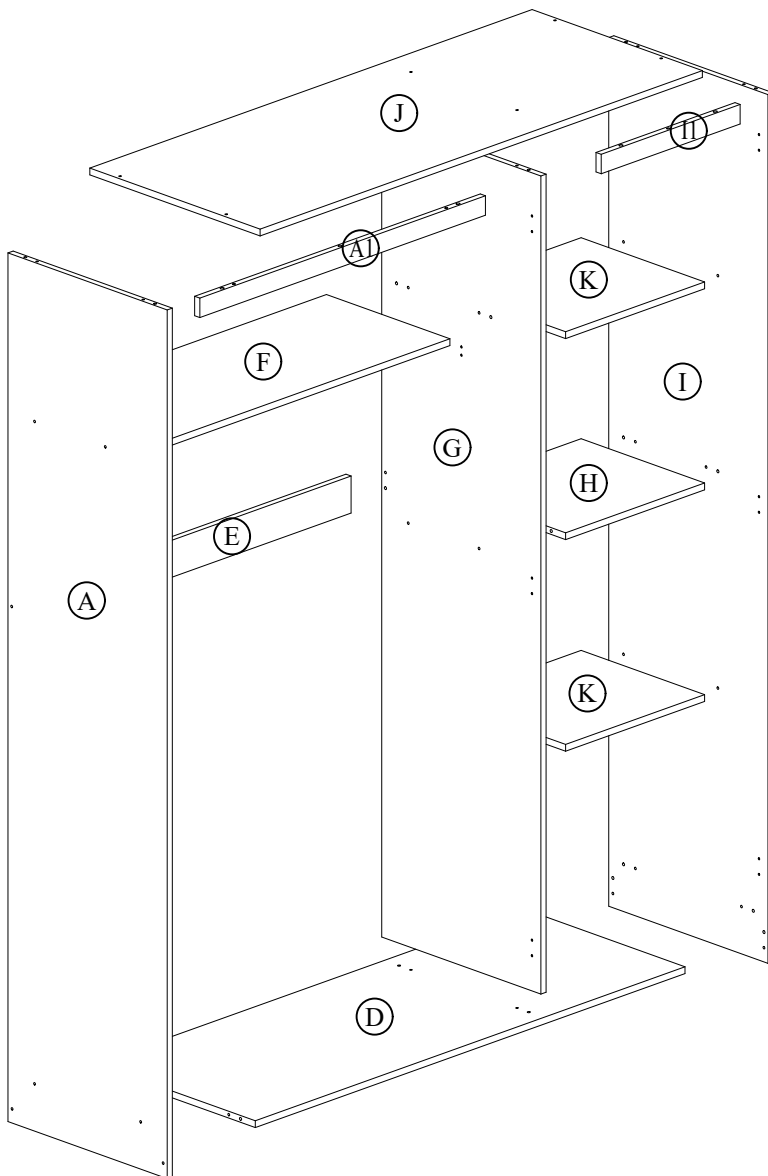
Assembly Instruction

3 DOOR WARDROBE



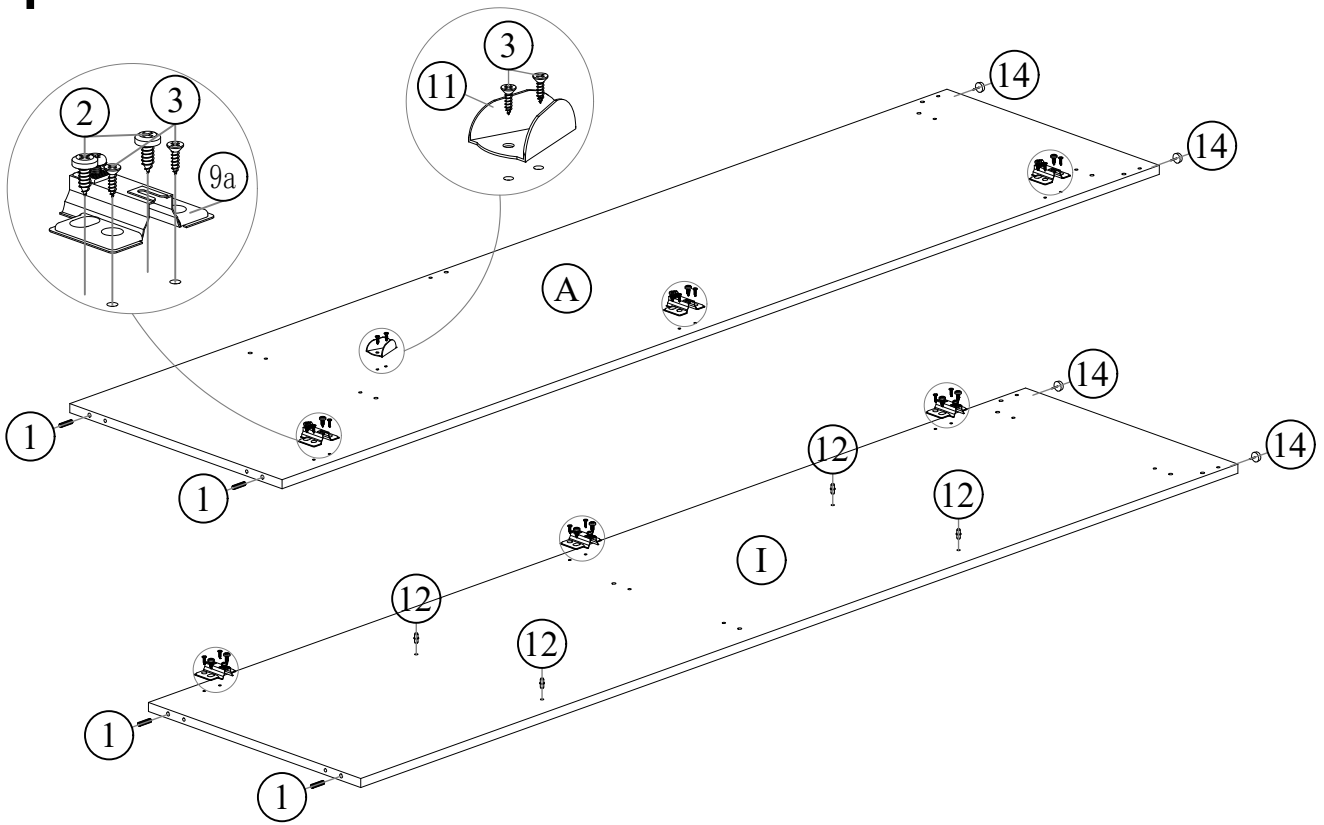
 1 6 x 25mm 37pcs	 2 TP 10#x1/2" Screw 18pcs	 3 3.5 x 14mm 40pcs	 4 4 x 32mm 6pcs	 5 M6 x 40mm 26pcs	 6 6a 6b 10MM x Ø15MM Minifix 5 Sets	 7 Seal Sticker Ø18mm 31pcs	 8 8a 8b 2/8" (Out) 3 Sets	 9 9a 9b 5/8" (Out) 6 Sets	 10 Cylinder Pipe 1pc	 11 V-Bracket 2pcs	 12 Metal Shelf Support 8pcs	 13 2838 PVC Handle -128mm 3pcs
 14 Nail Leg 6pcs	 15 Nail 94pcs	 16 Allen Key M4 1pc										

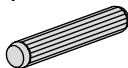


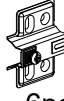

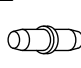

PART LIST



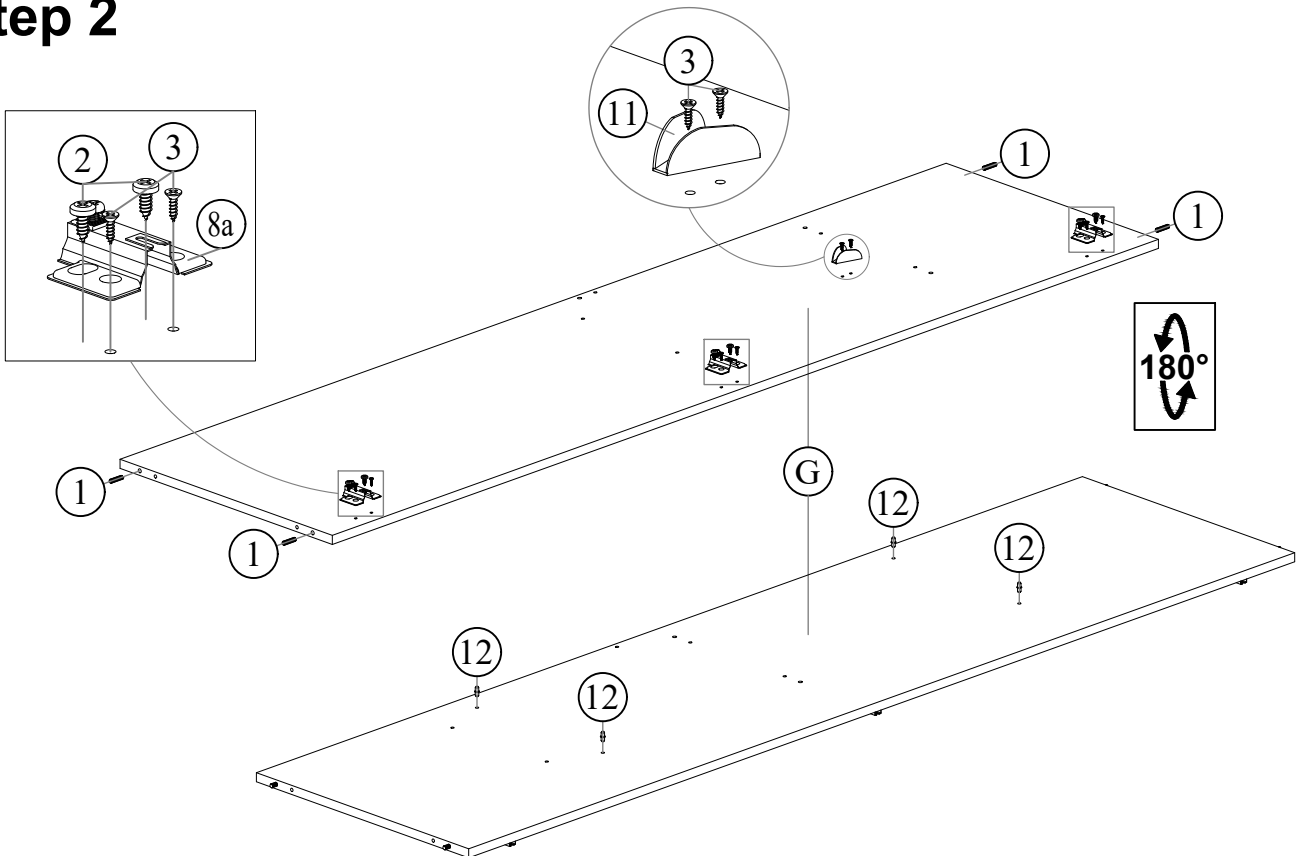
Assembly Instruction

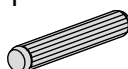


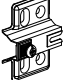

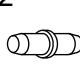
Step 1



 1 4pcs	 2 12pcs	 3 14pcs	 9a 6pcs	 11 1pc	 12 4pcs	 14 4pcs
--	---	---	---	--	---	---

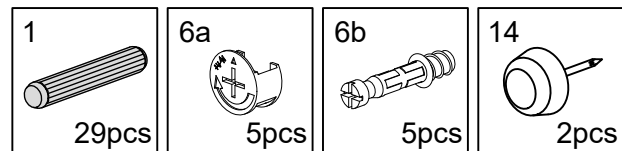
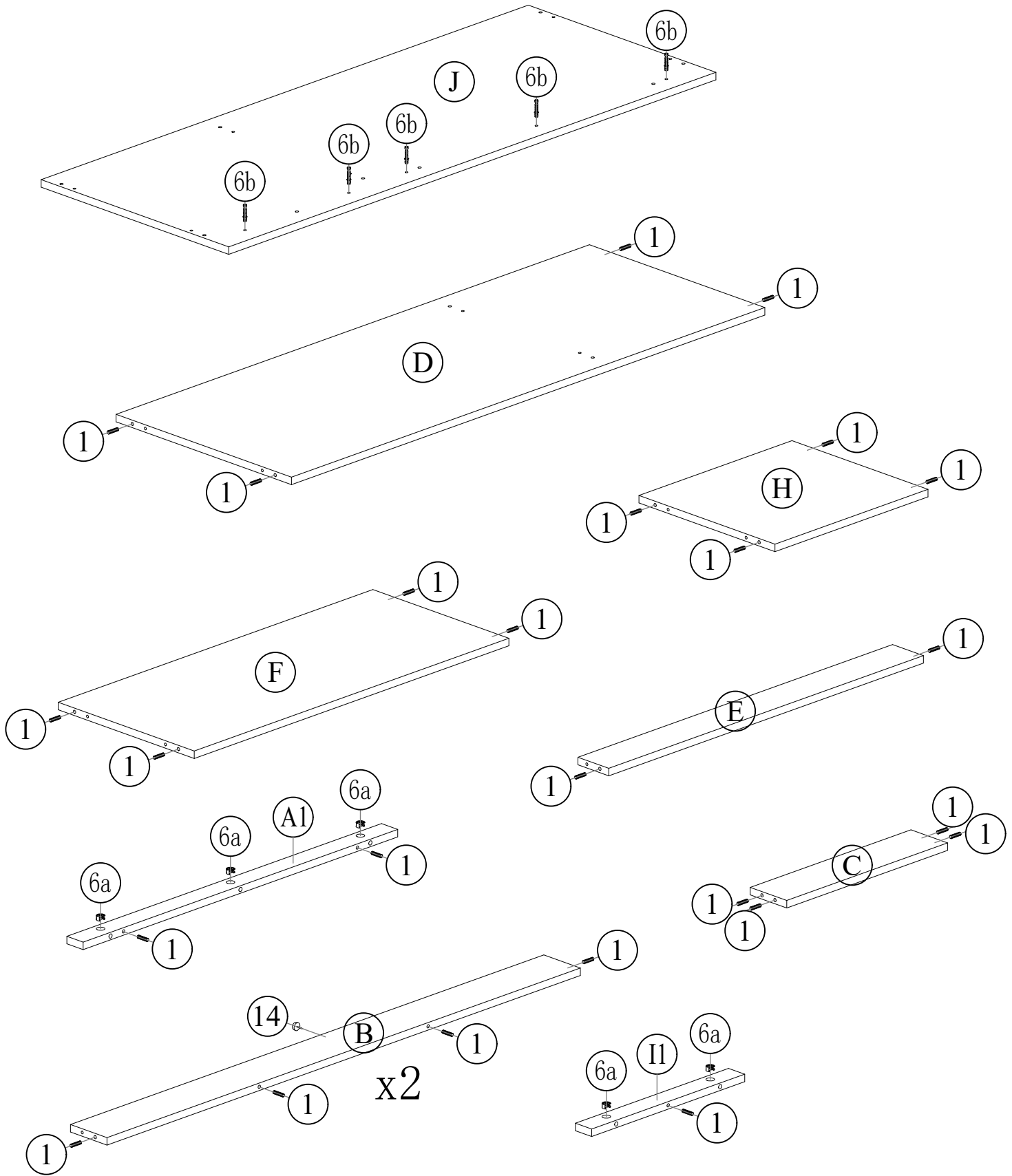
Step 2



 1 4pcs	 2 6pcs	 3 8pcs	 8a 3pcs	 11 1pc	 12 4pcs
--	--	---	---	--	---

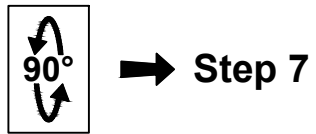
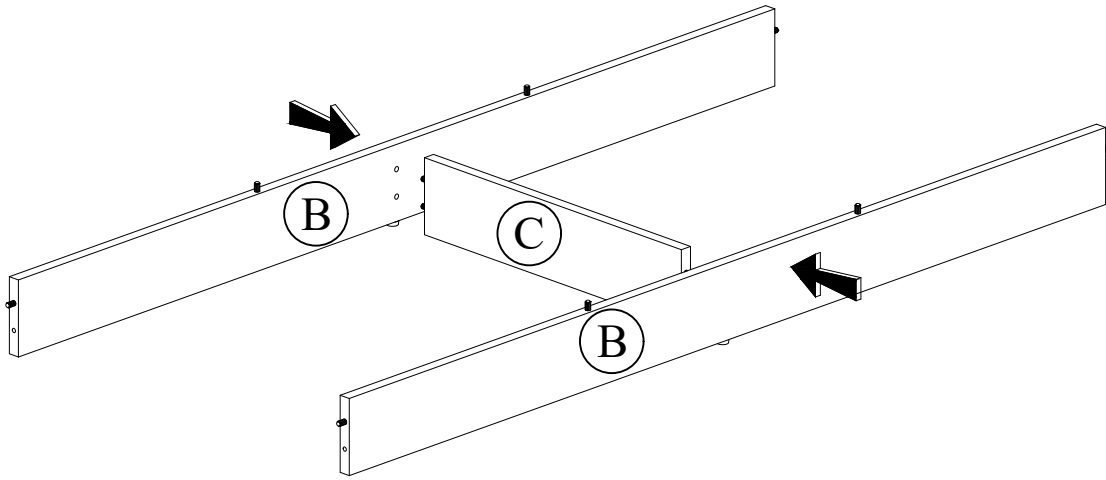
Assembly Instruction

Step 3

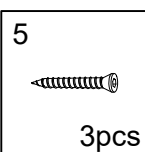
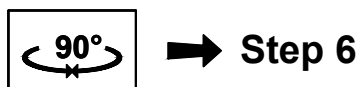
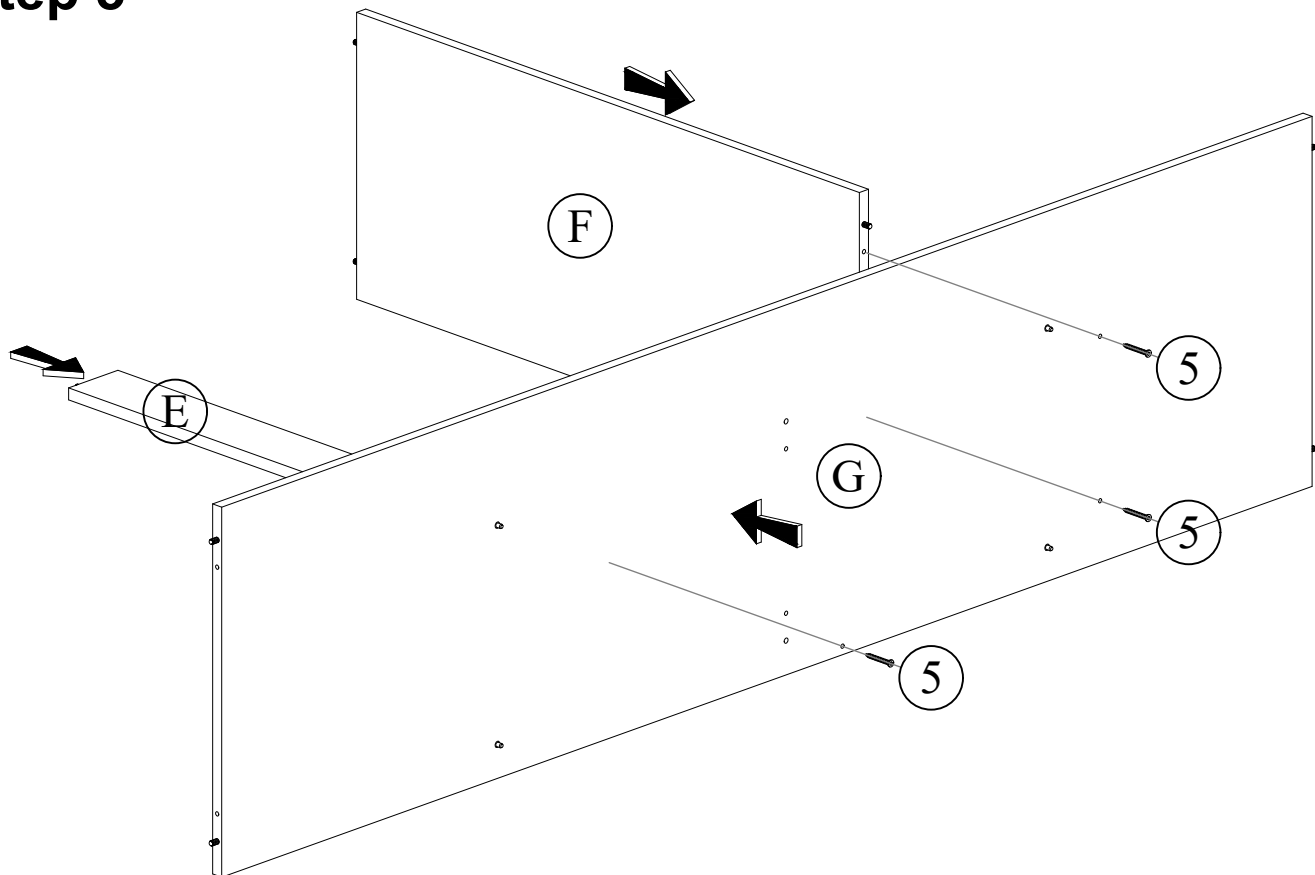


Assembly Instruction

Step 4

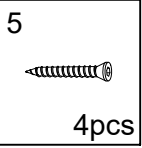
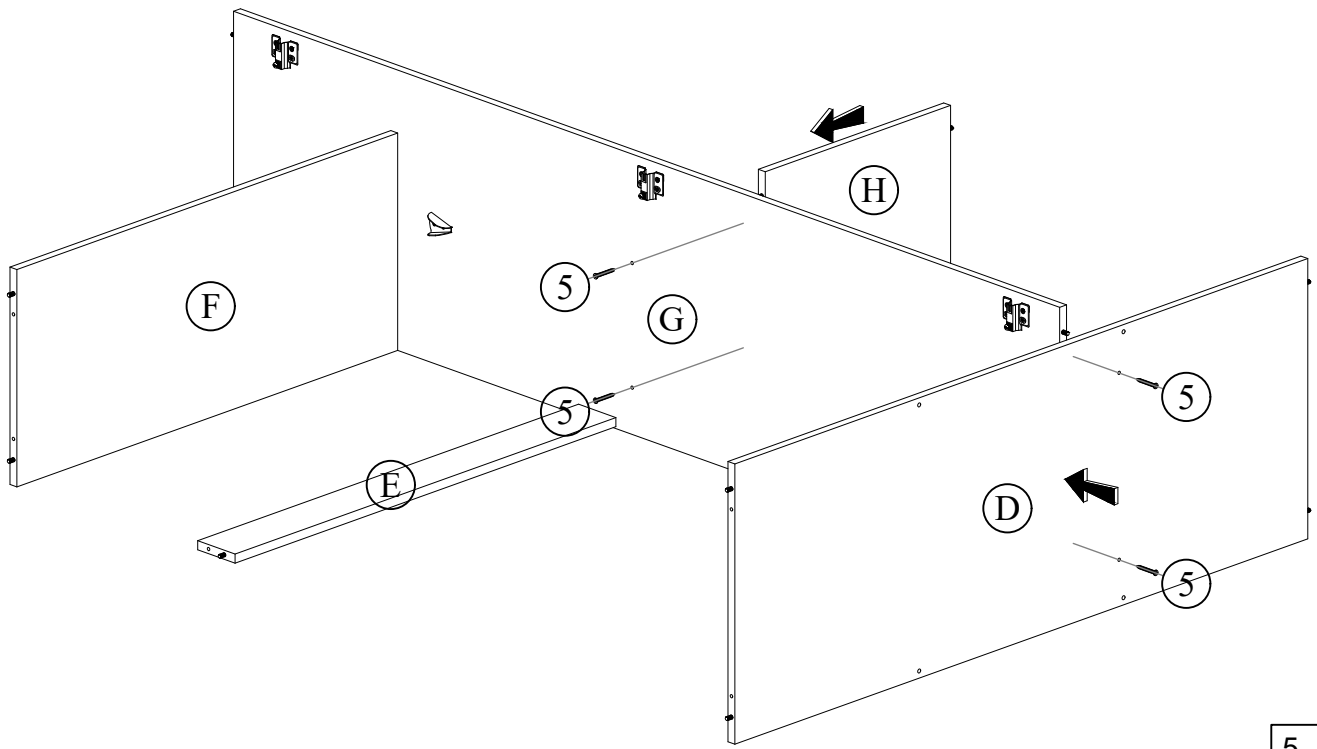


Step 5

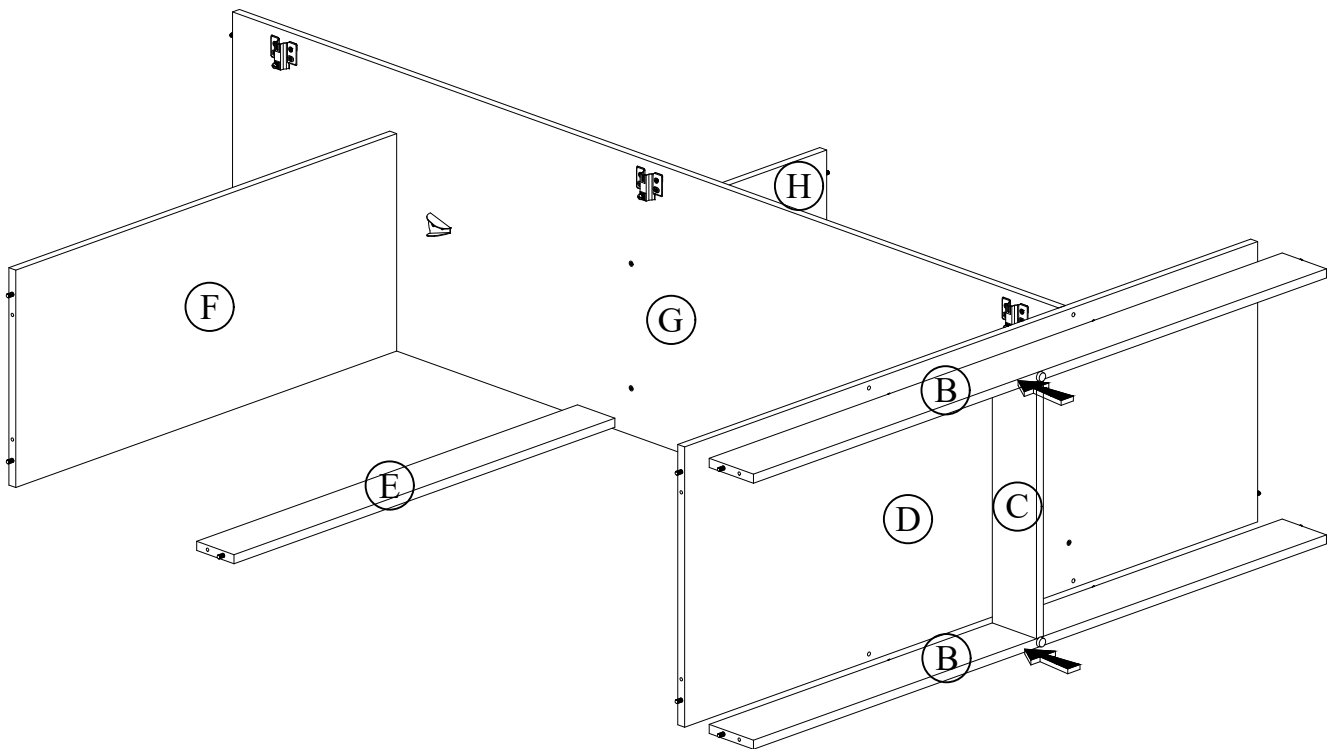


Assembly Instruction

Step 6

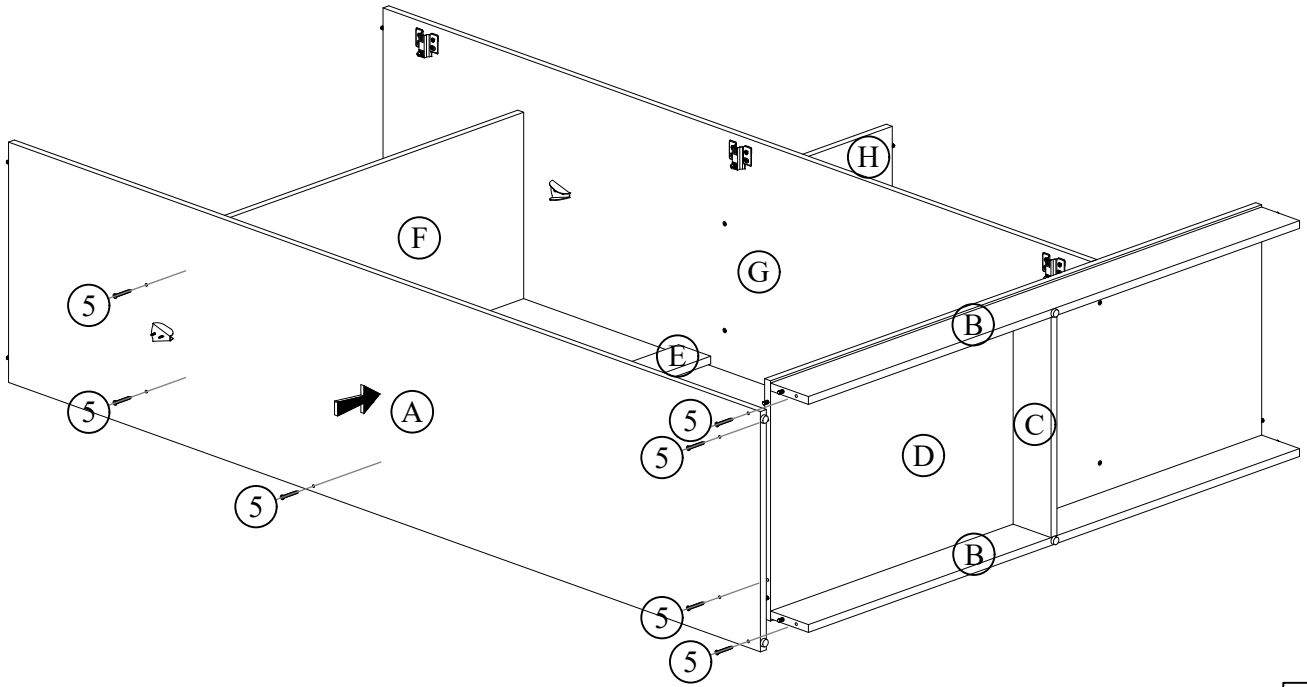


Step 7

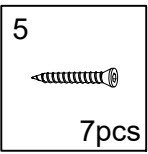


Assembly Instruction

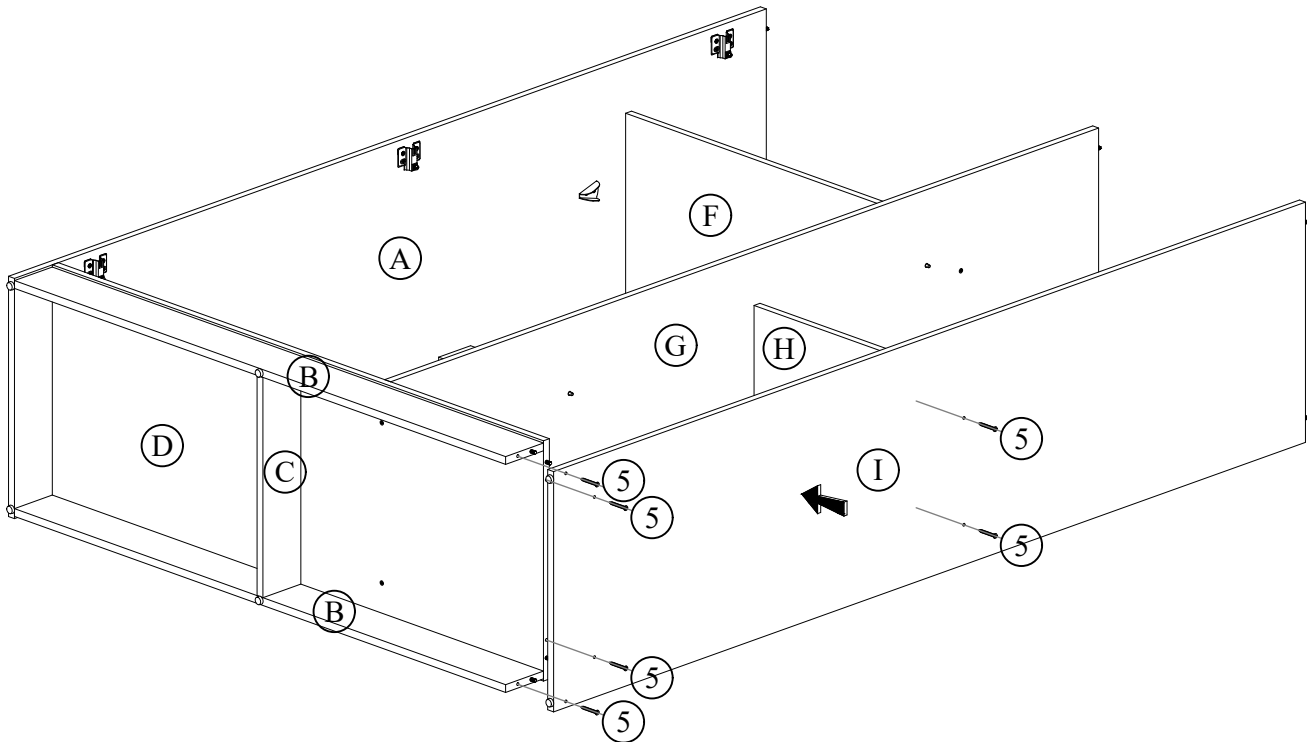
Step 8



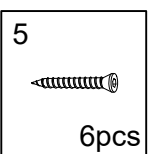
90° → Step 9



Step 9

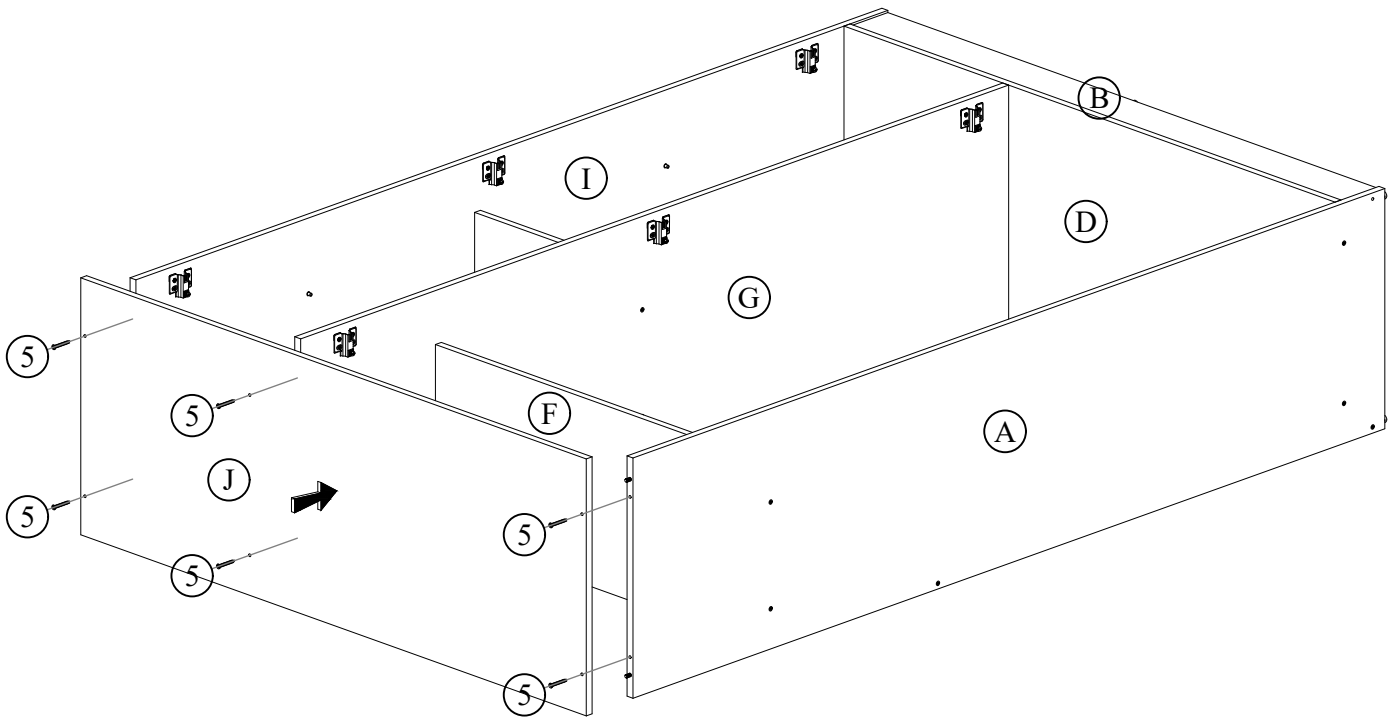



180° → Step 10

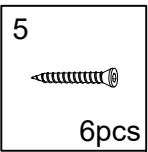


Assembly Instruction

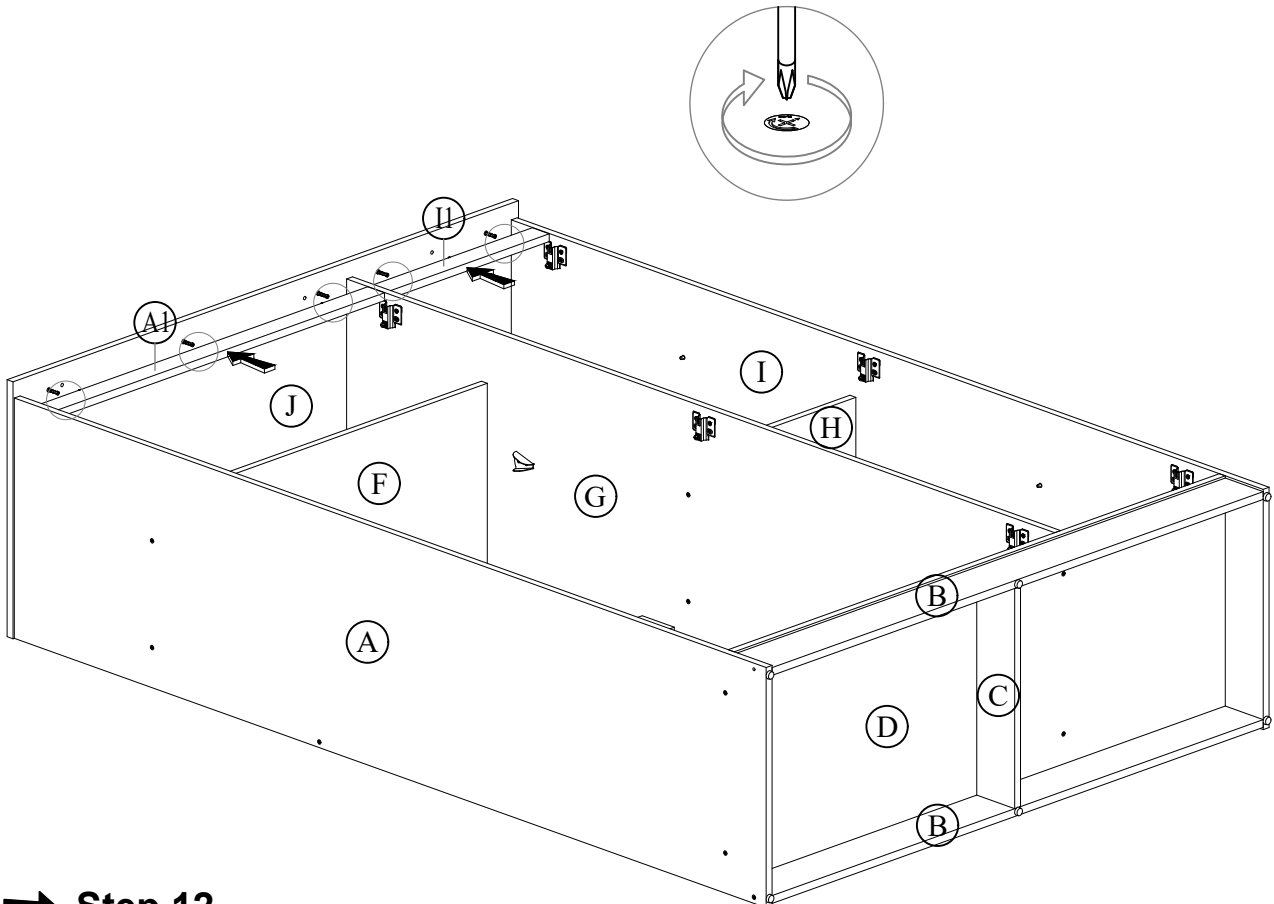
Step 10



 **Step 11**



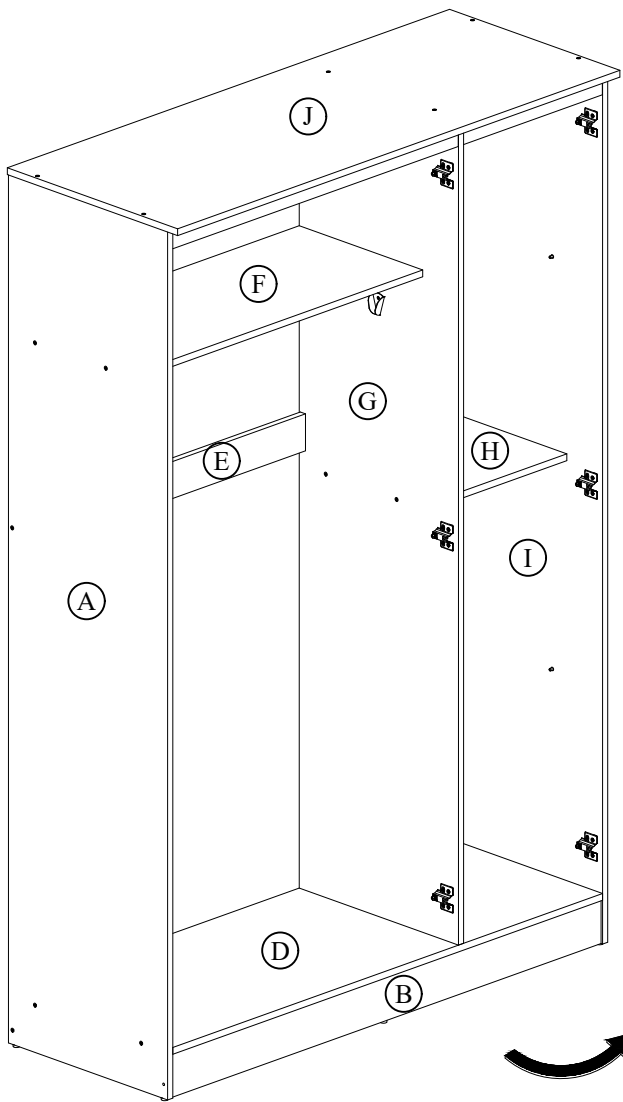
Step 11



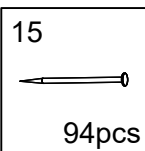
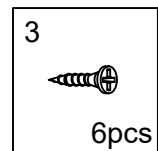
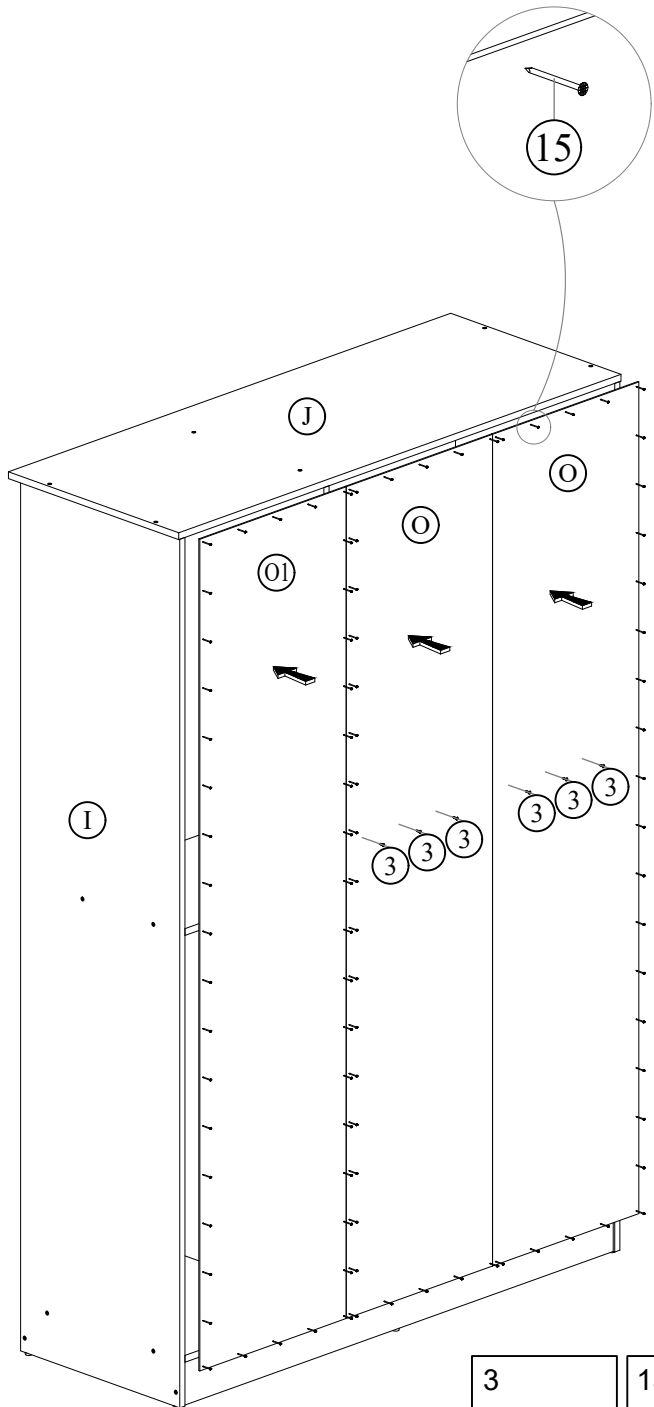
 **Step 12**

Assembly Instruction

Step 12

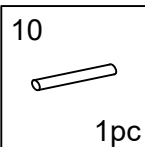
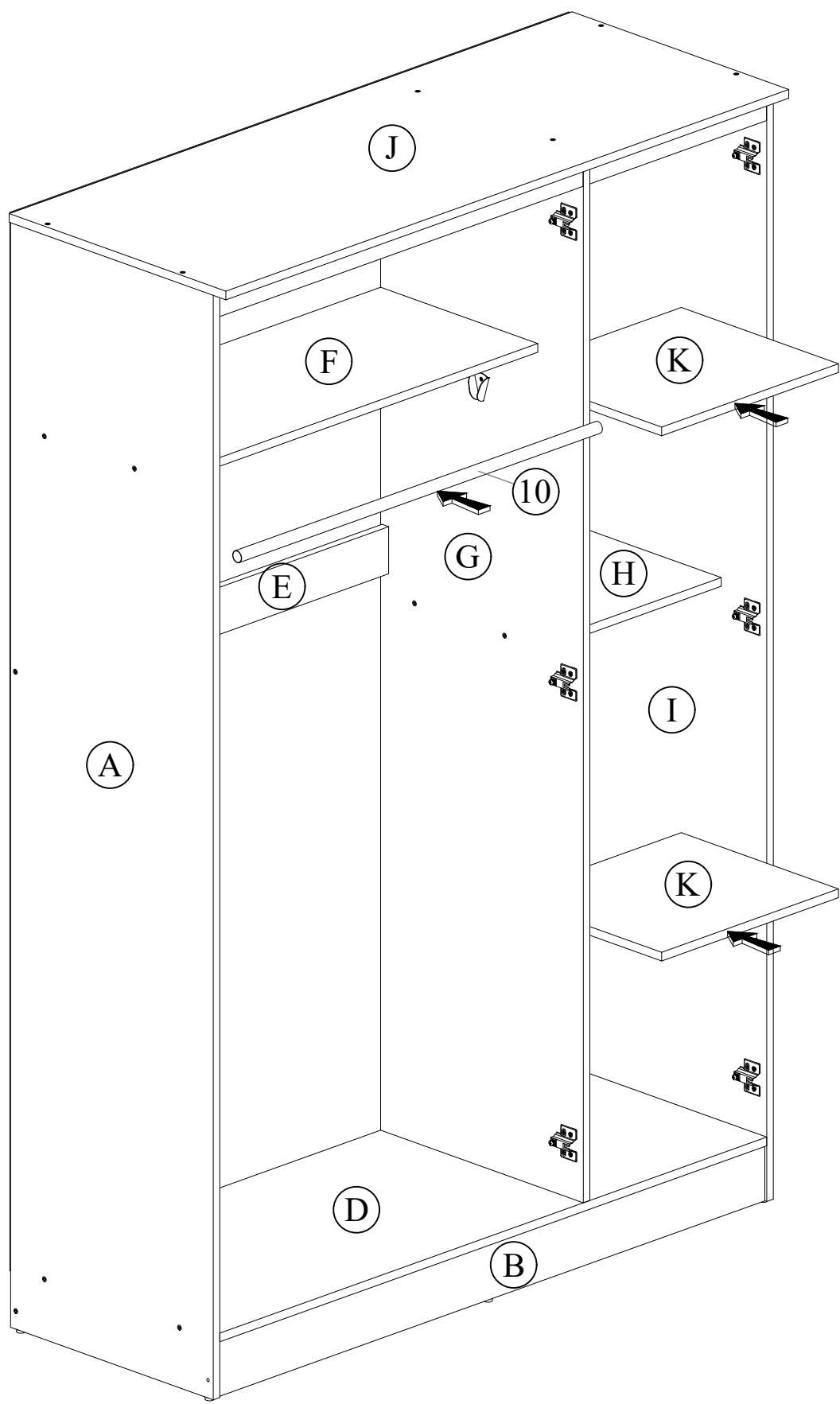


180°



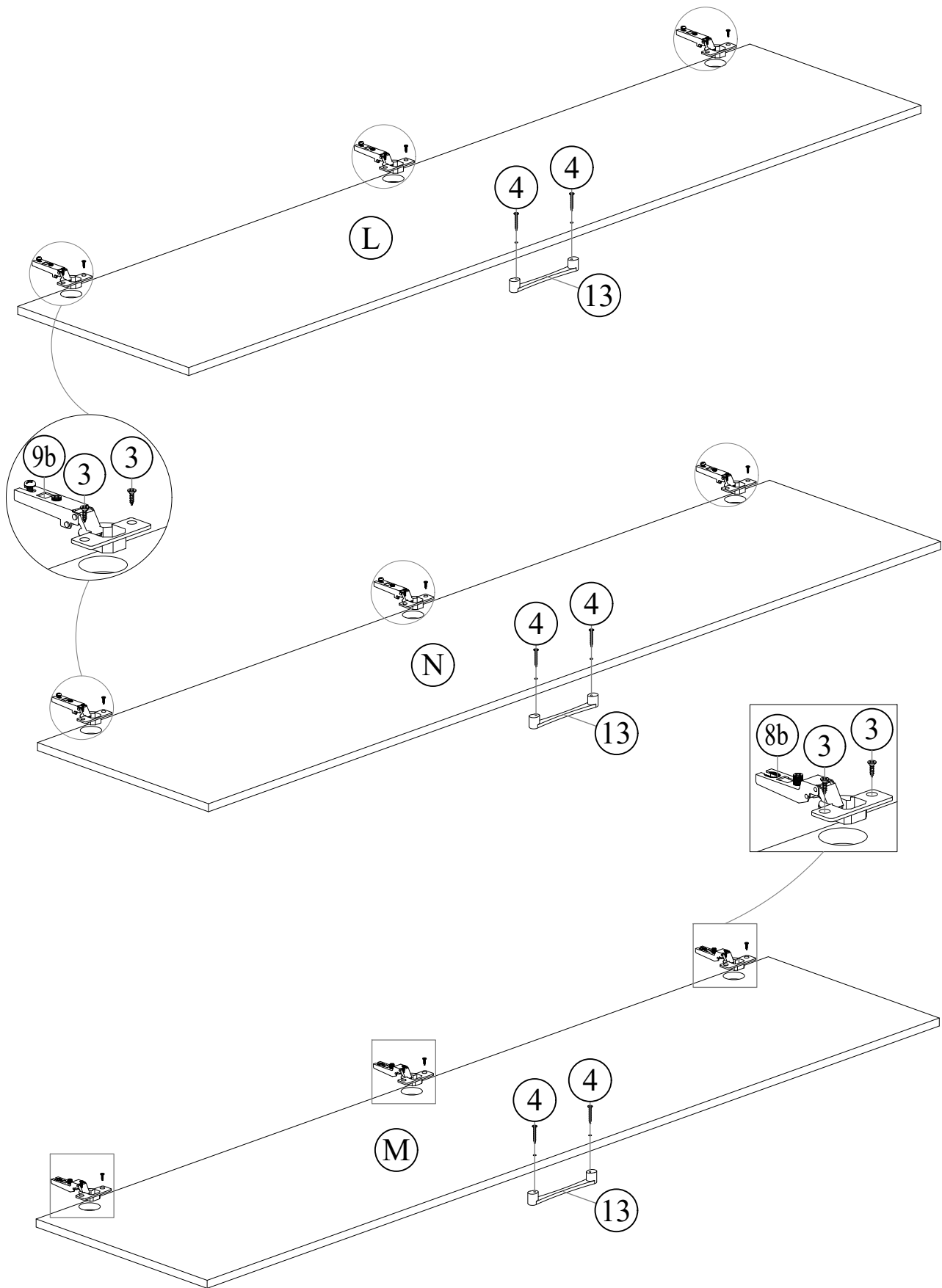
Assembly Instruction



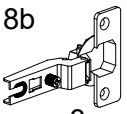
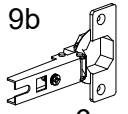

Step 13



Assembly Instruction

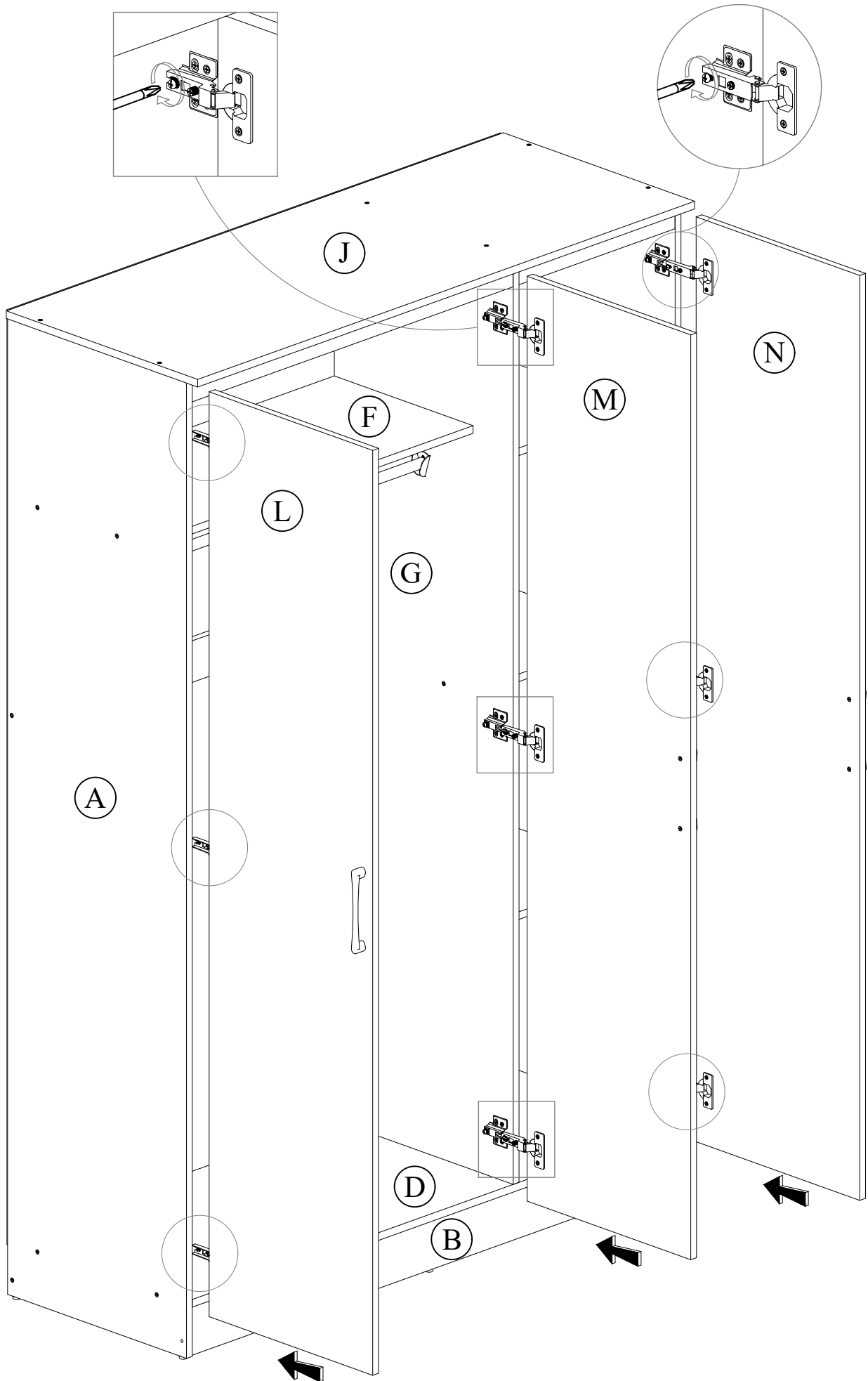
Step 14



 3 18pcs	 4 6pcs	 8b 3pcs	 9b 6pcs	 13 3pcs
---	---	---	---	---

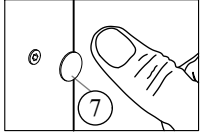
Assembly Instruction

Step 15

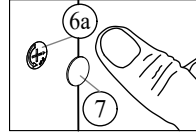


Assembly Instruction

Step 16



* Cover all the screw (5)'s head with the seal sticker provided by sticking the sticker on the screw head.



* Cover all the mini fix (nuts) (6a)'s head with the seal sticker provided by sticking the sticker on the head of mini fix (nuts).

Complete

