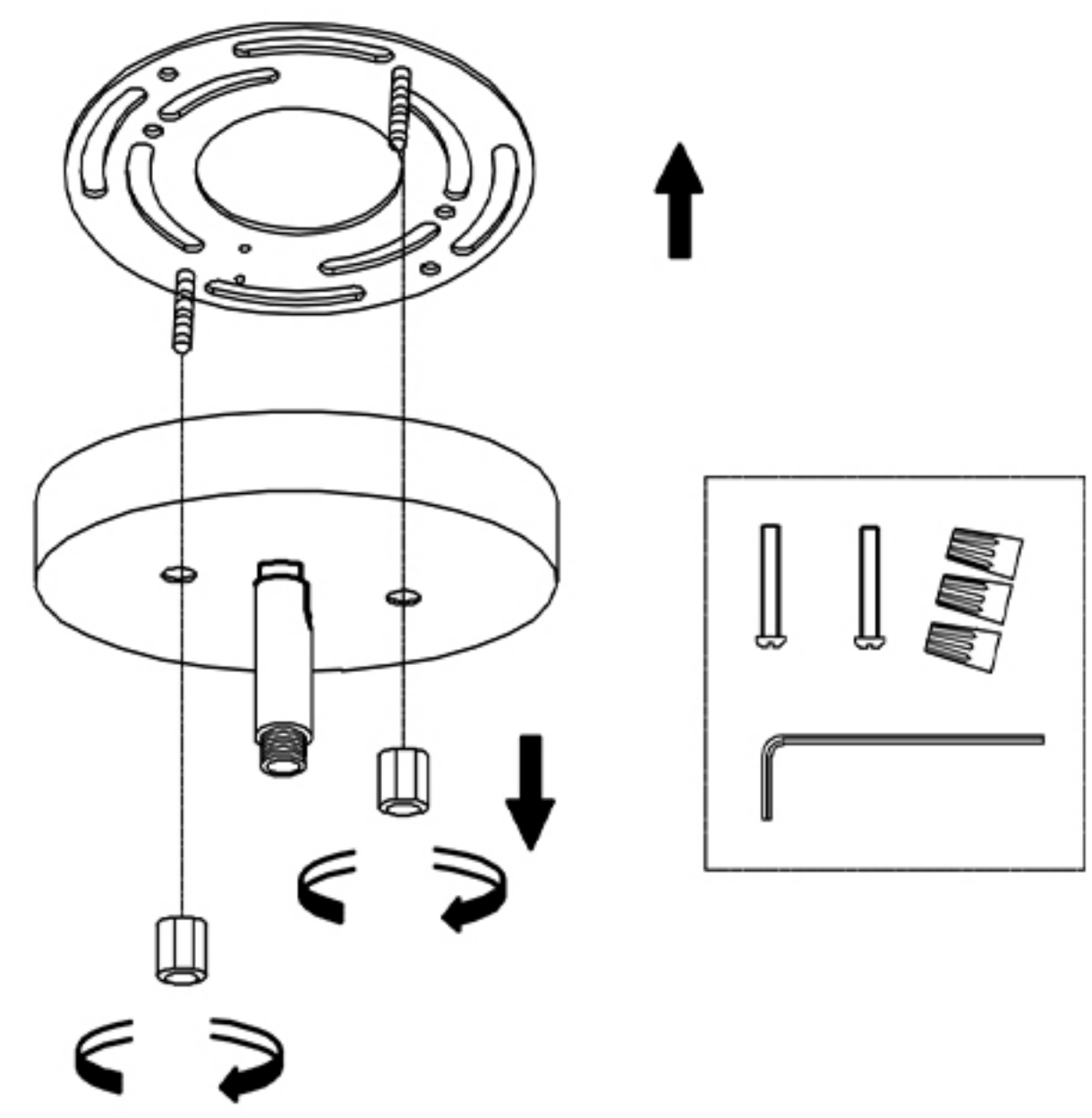
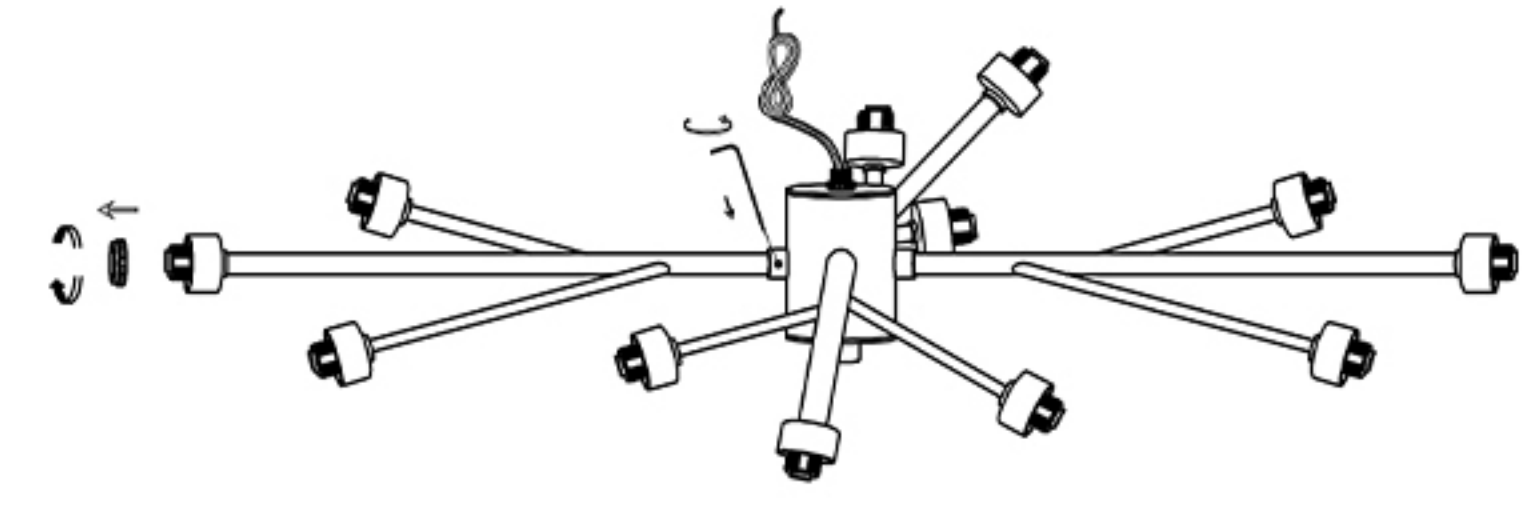


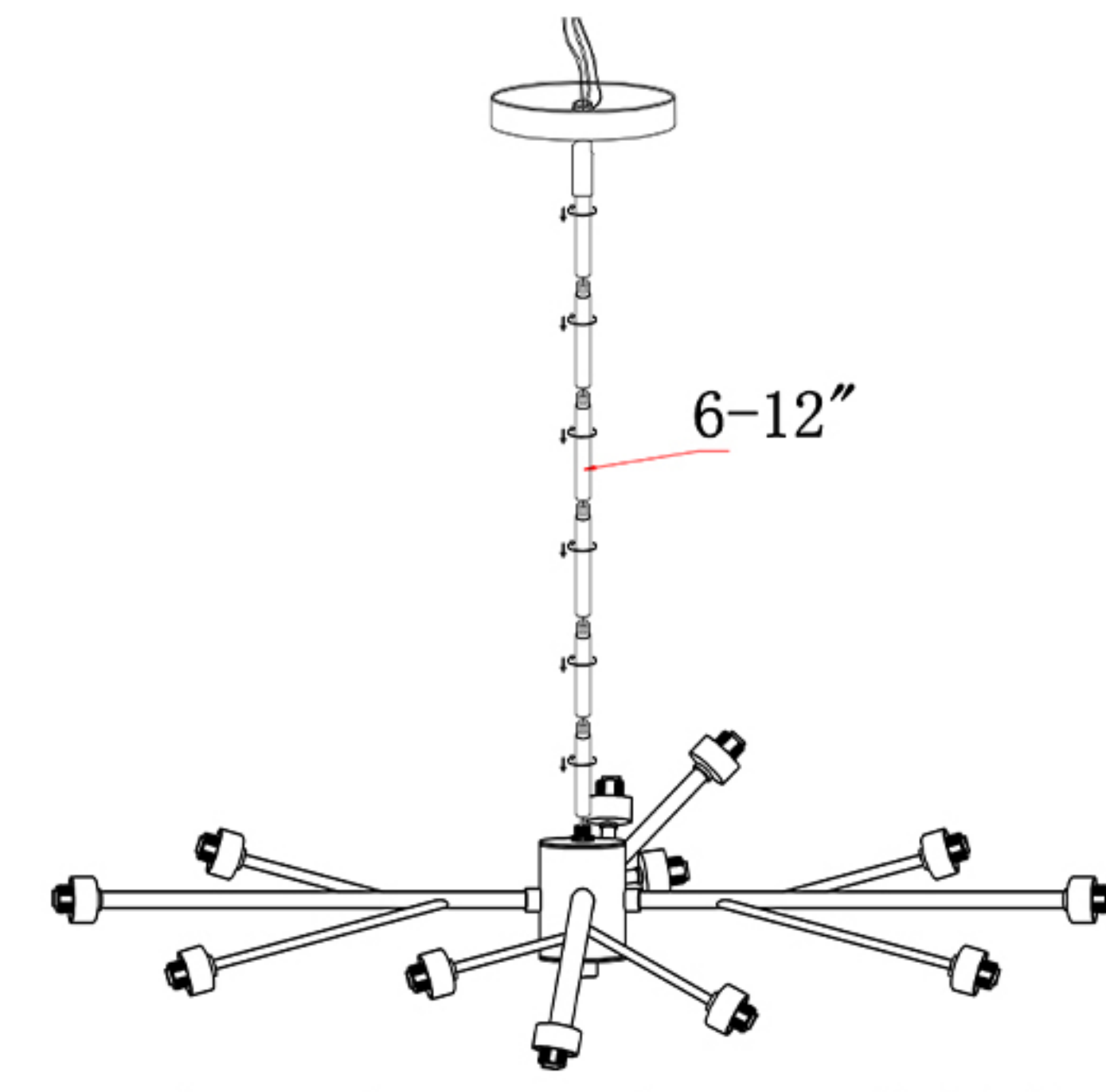
1. Power off.



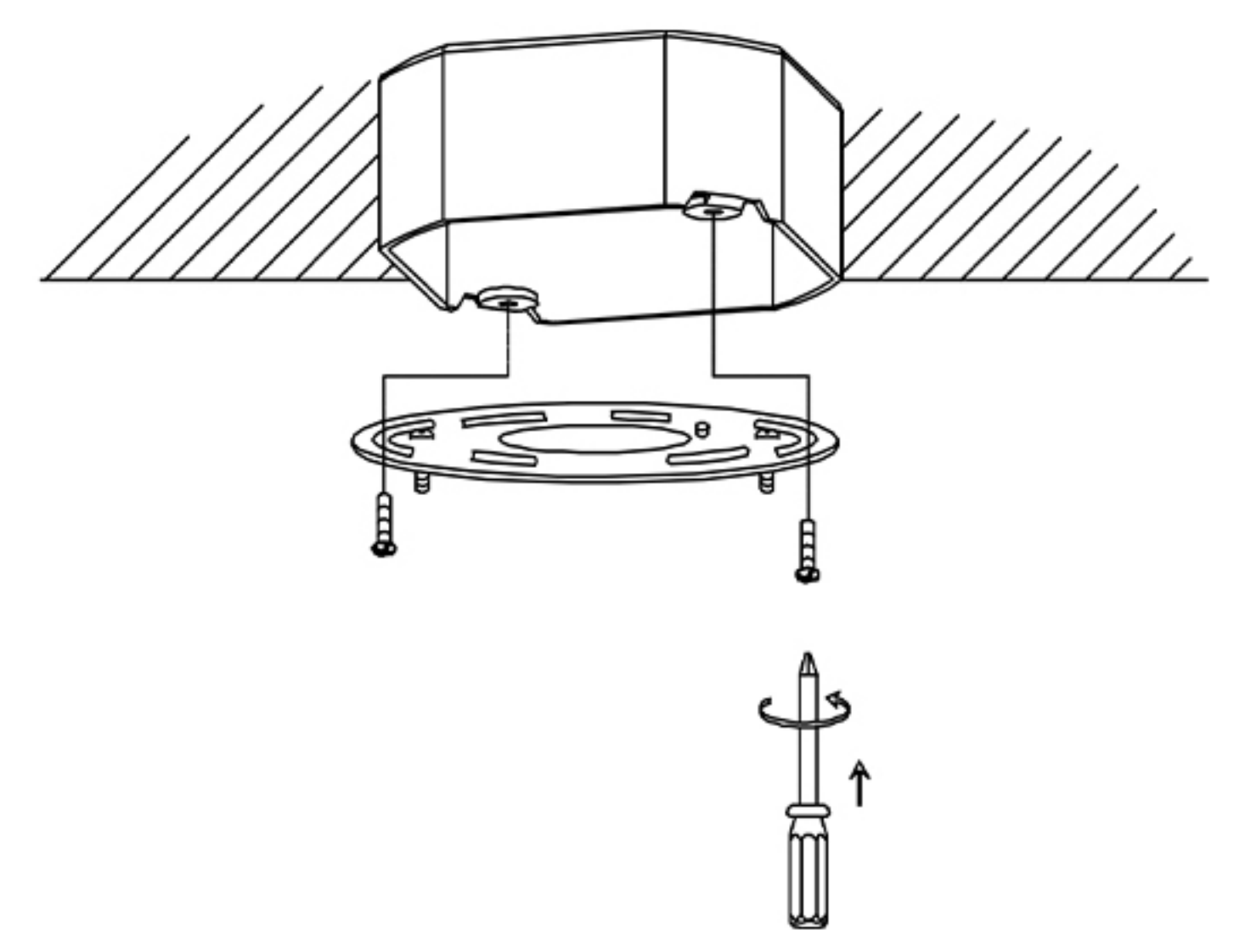
2. Unscrew nut (F) on canopy(E).



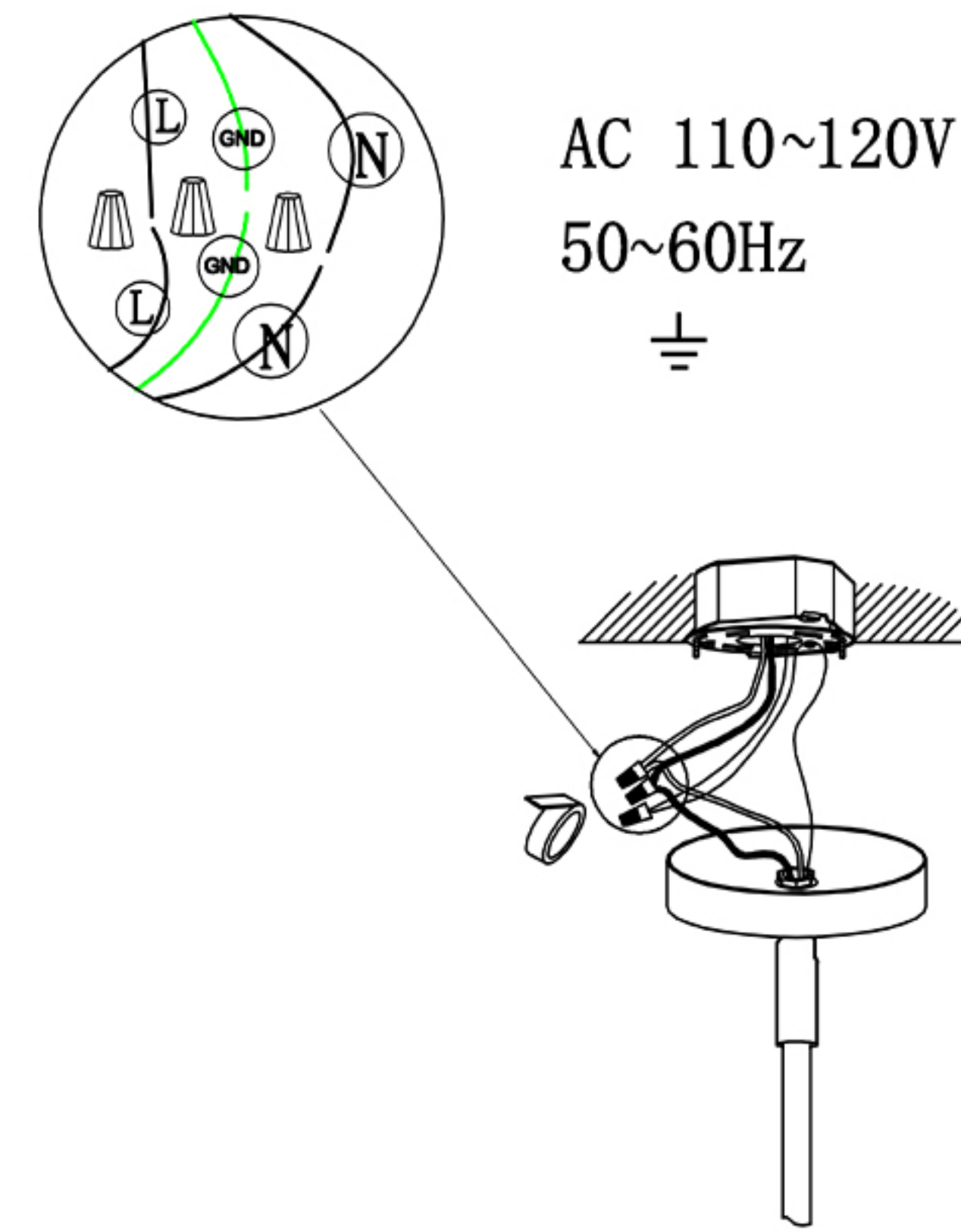
3. Unscrew 12 lock ring(J).



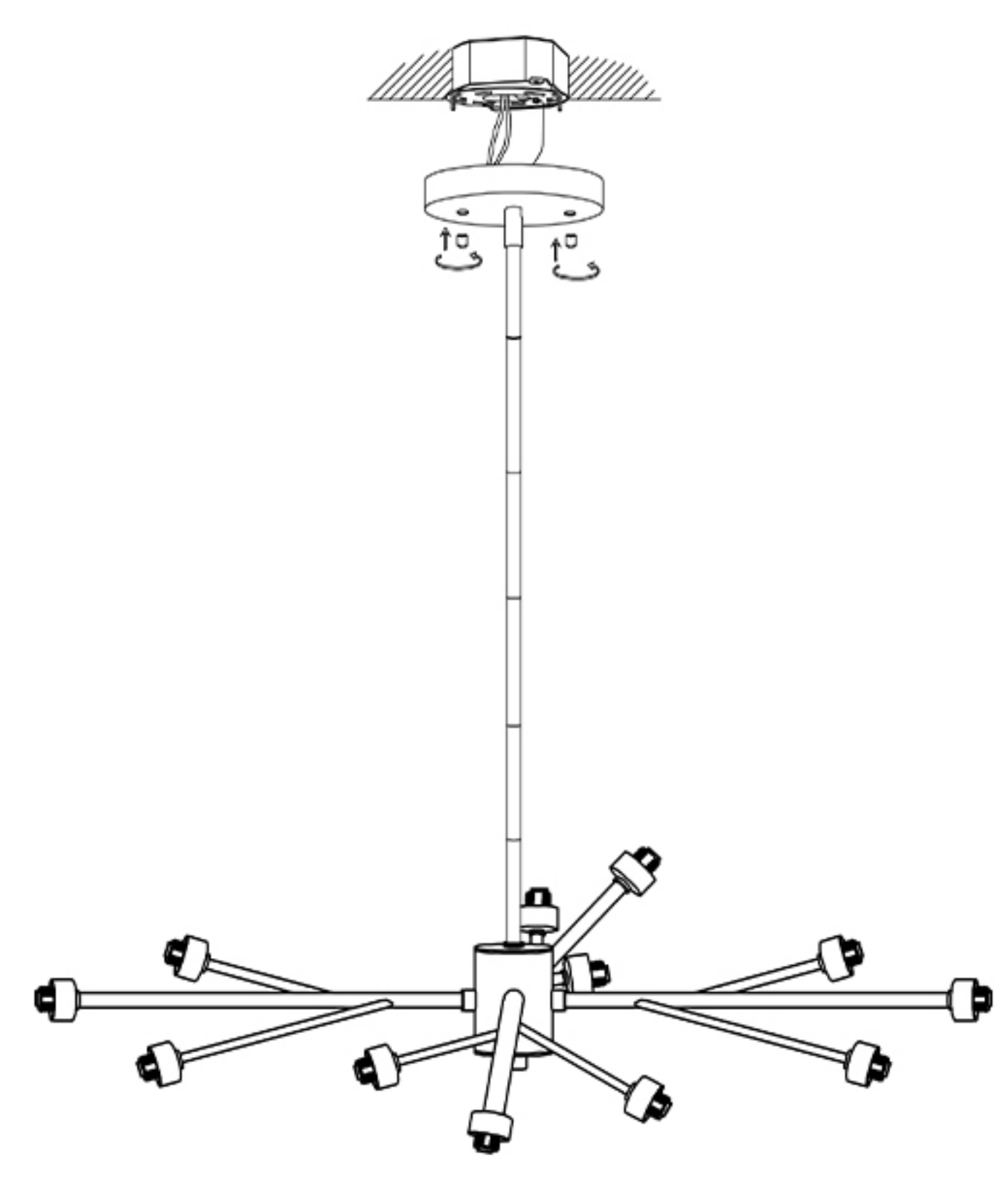
4. Tighten the straight pipe (G)(H) from the bottom up, and the wire should pass through each pipe when twisted, and the top need is the straight pipe (G), and finally tighten it with canopy(E).



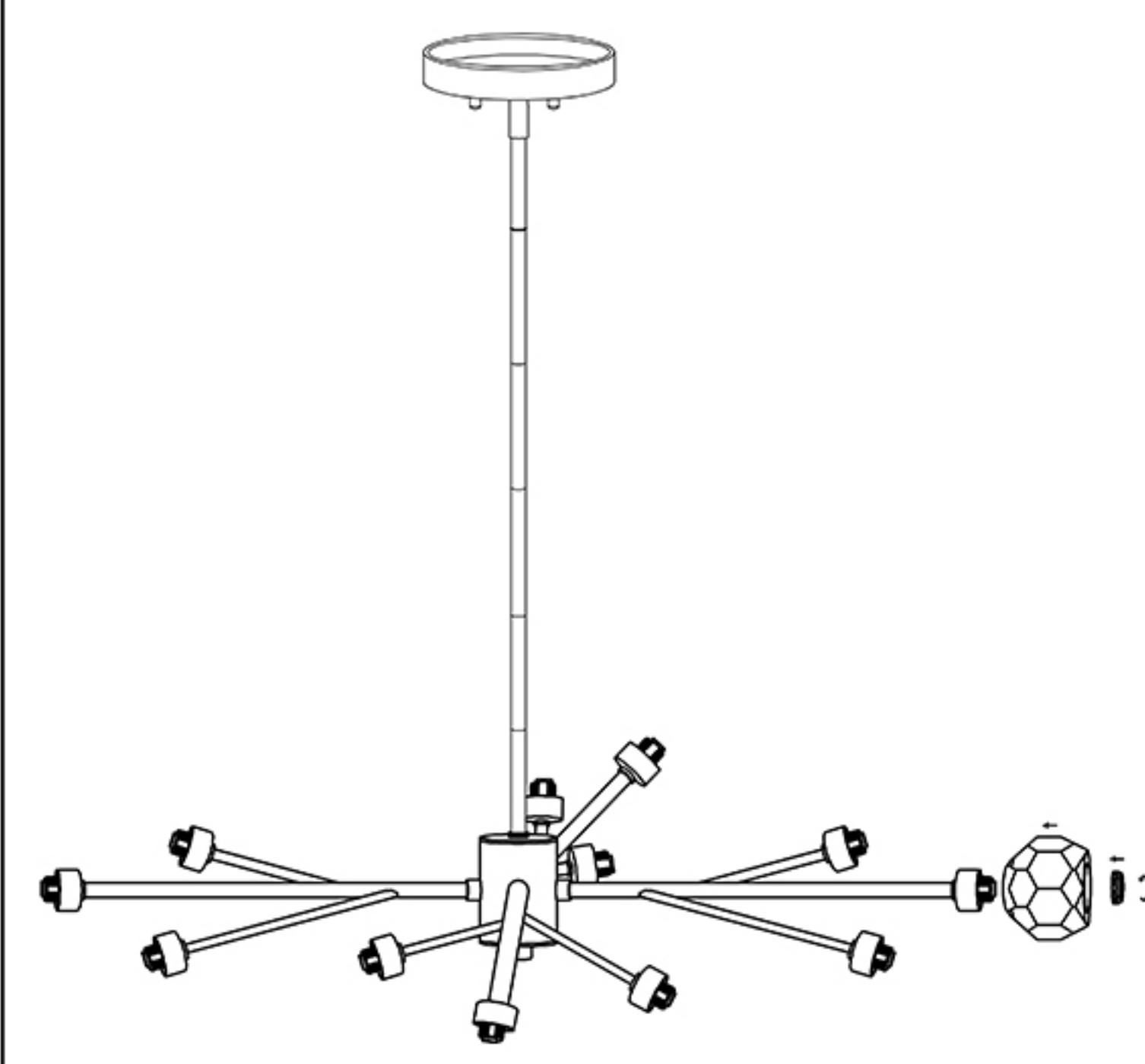
5. The mounting plate (D) is twisted on the junction box(A) with screws (B) to install the mounting plate.



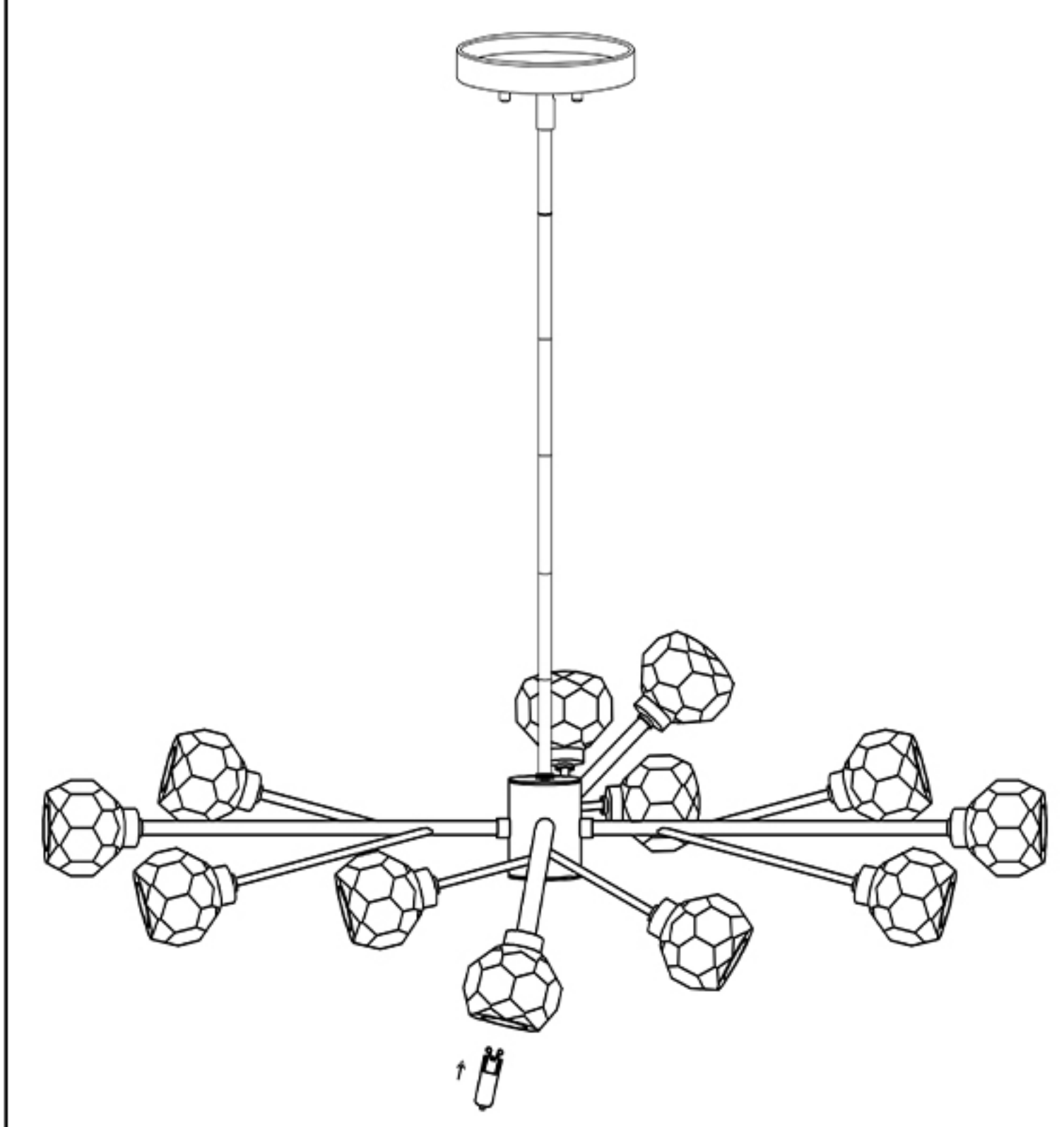
6. Connect the positive and negative electrodes of the wire wrap them with electrical tape and connect them with wiring cap (C).



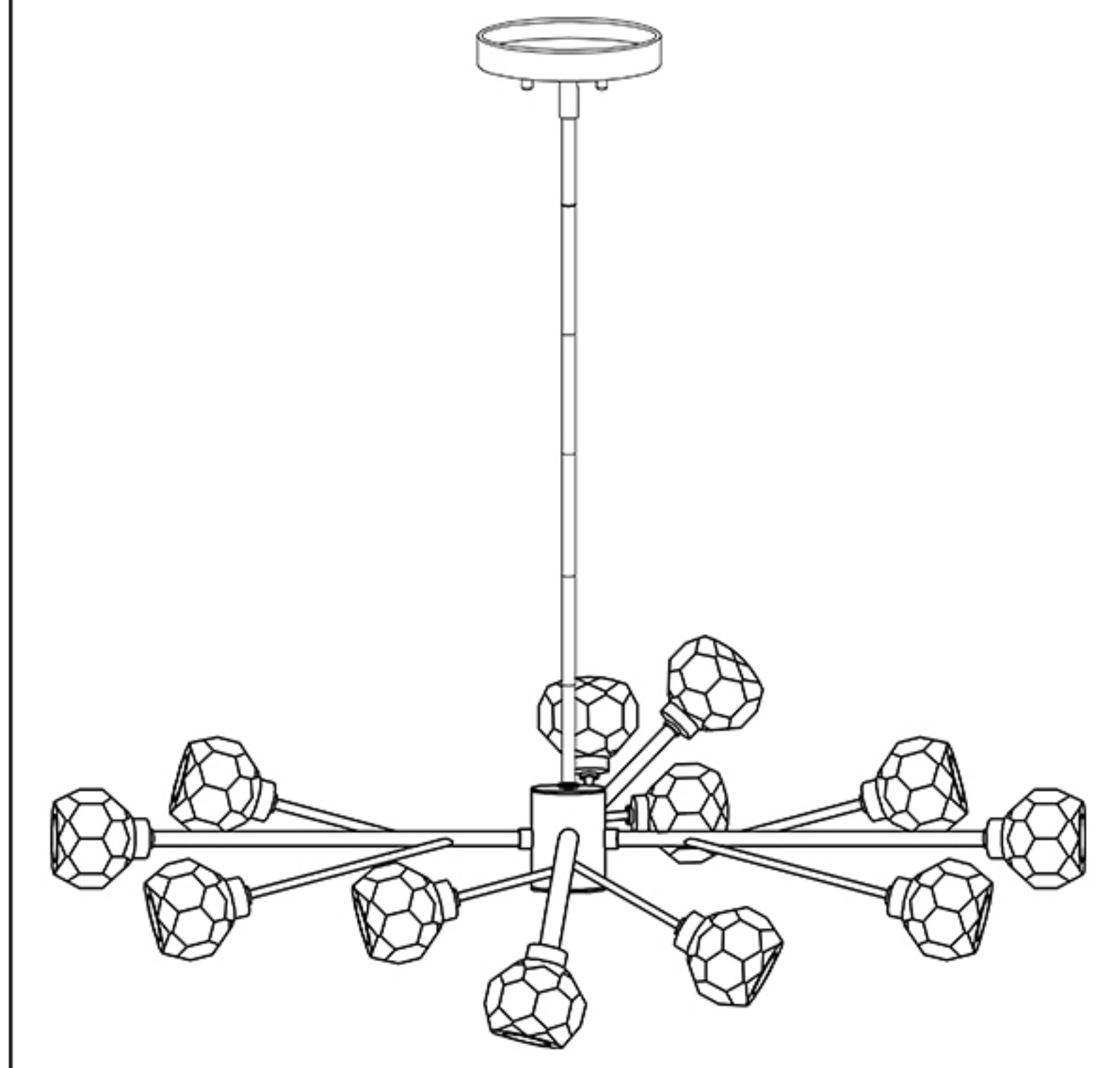
7. The two holes on the canopy(E) correspond to screws (B).



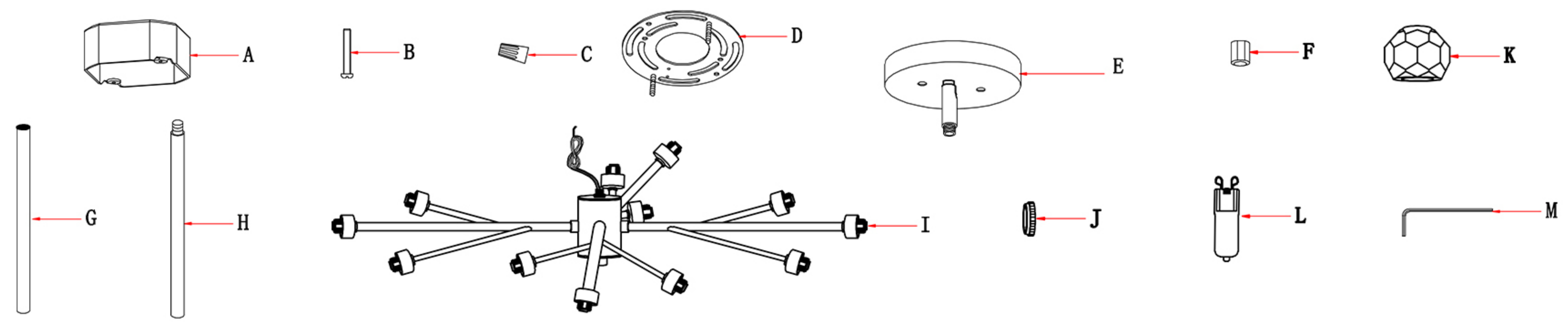
8. Install the crystal shade(K).



9. Install light bulbs (L) (excluding light bulbs).



10. After installation, turn on the light for the test.



A:Junction Box*0(Not included) B:Screws*2 C:Wiring Cap*3
 D:Mounting Plate*1 E:Canopy*1 F:Nut*2 G:Rod*1
 H:Rod*5 I:Light Frame*1 J:Lock Ring*12 K:Crystal Shade*12
 L:Bulb*0(Not included) M:Wrench*1