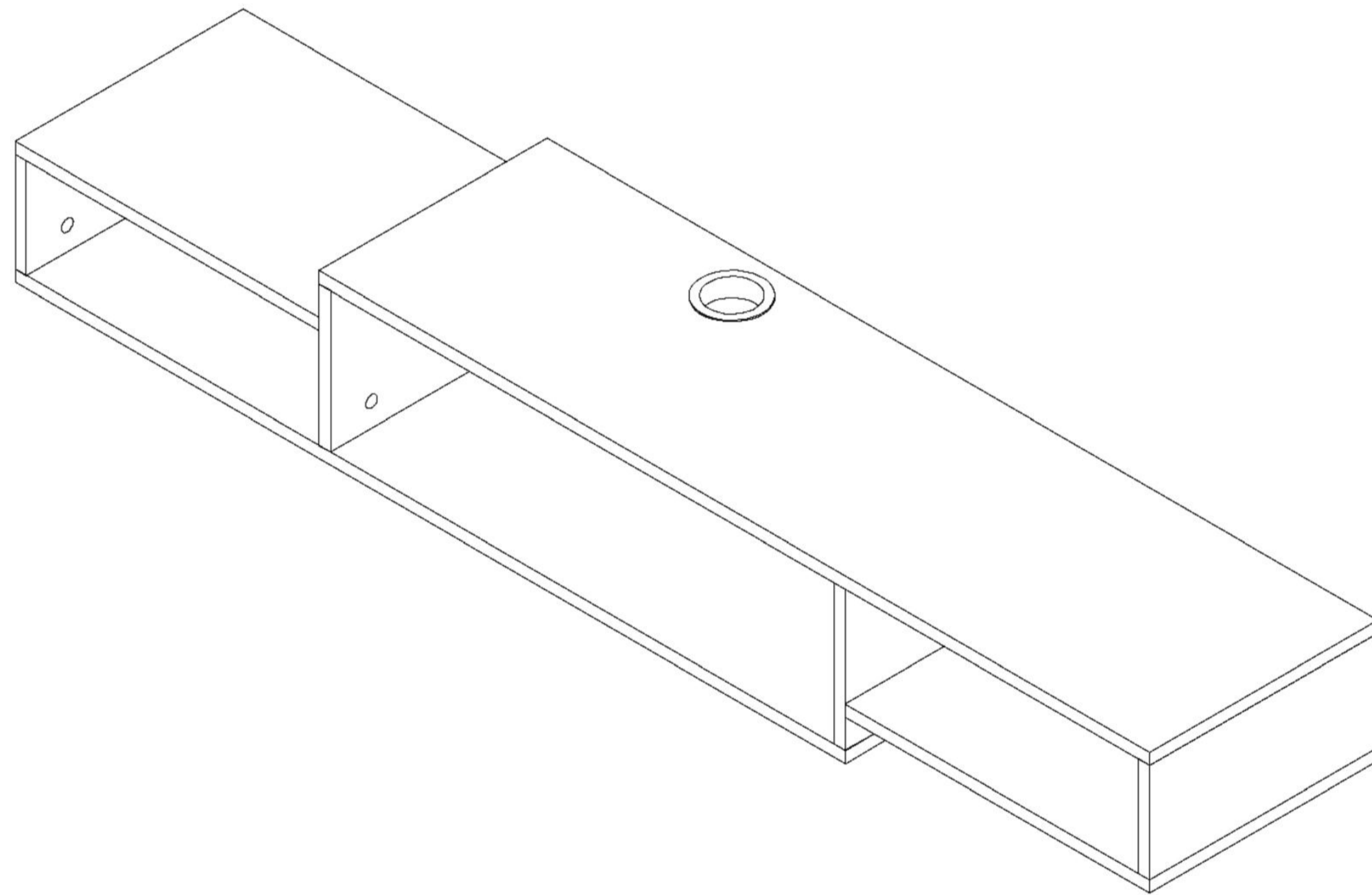


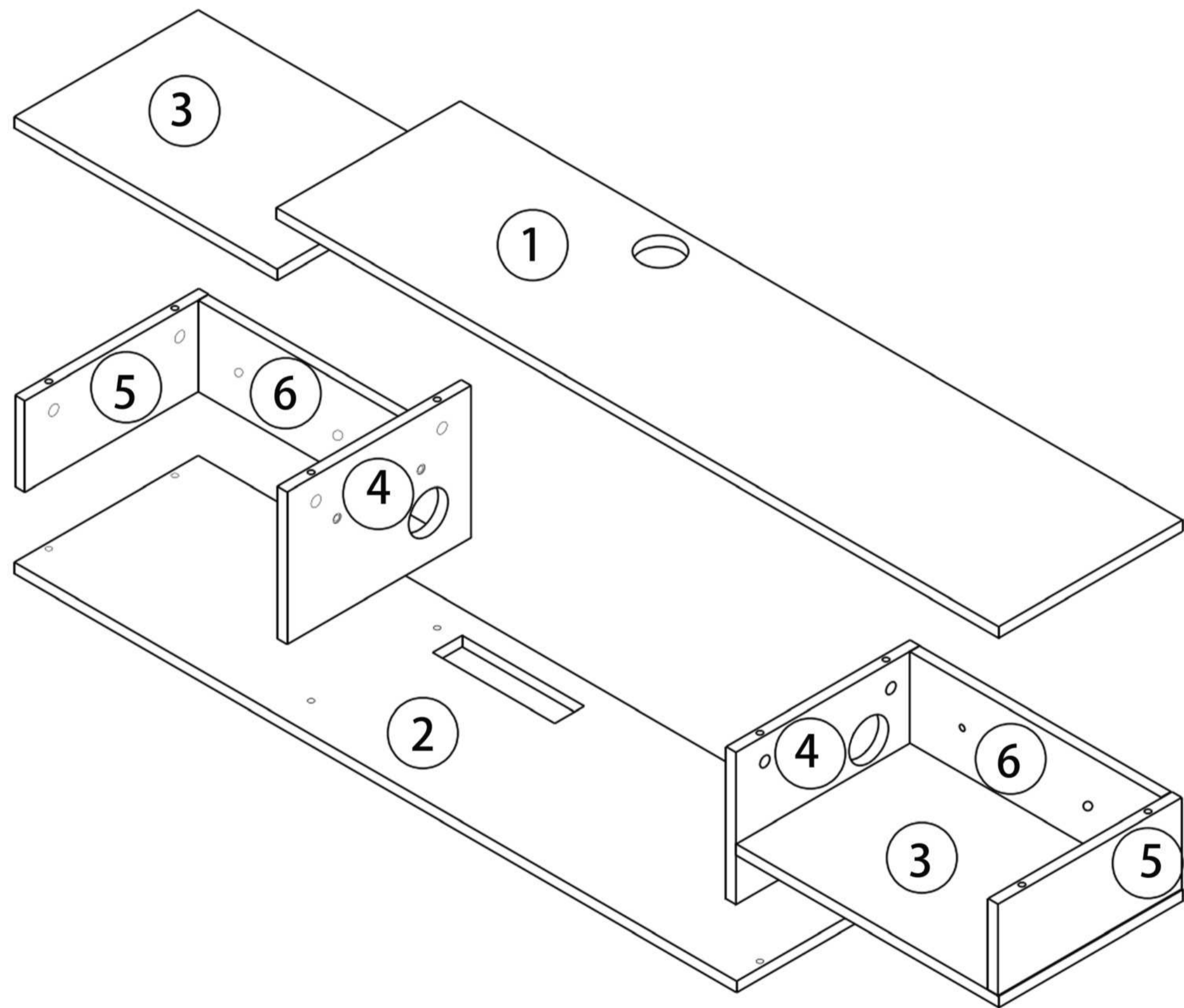
Wall-mounted TV Stand

SKU:871737

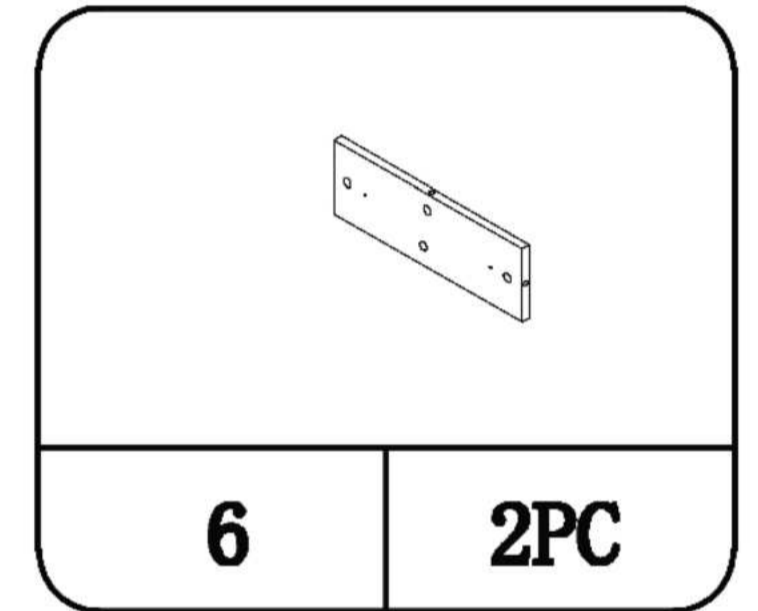
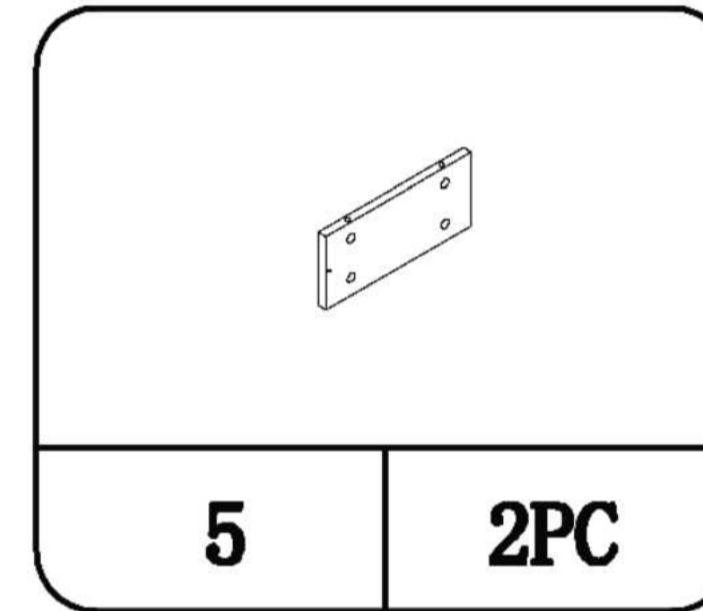
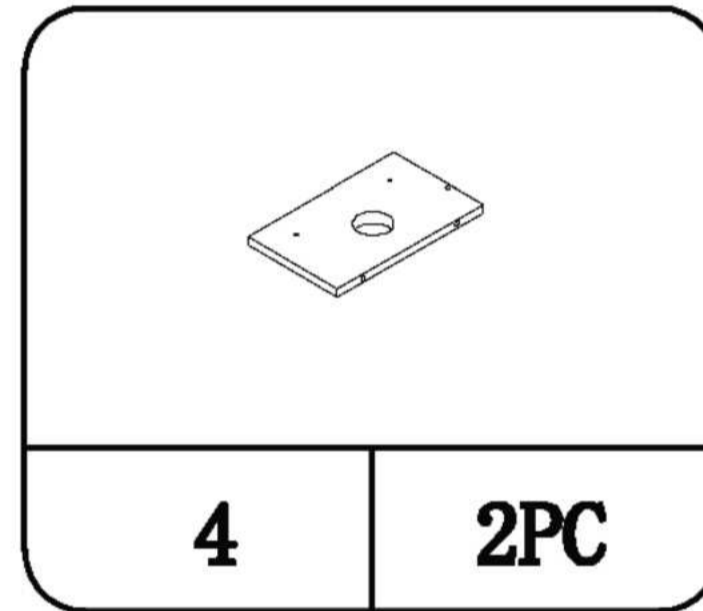
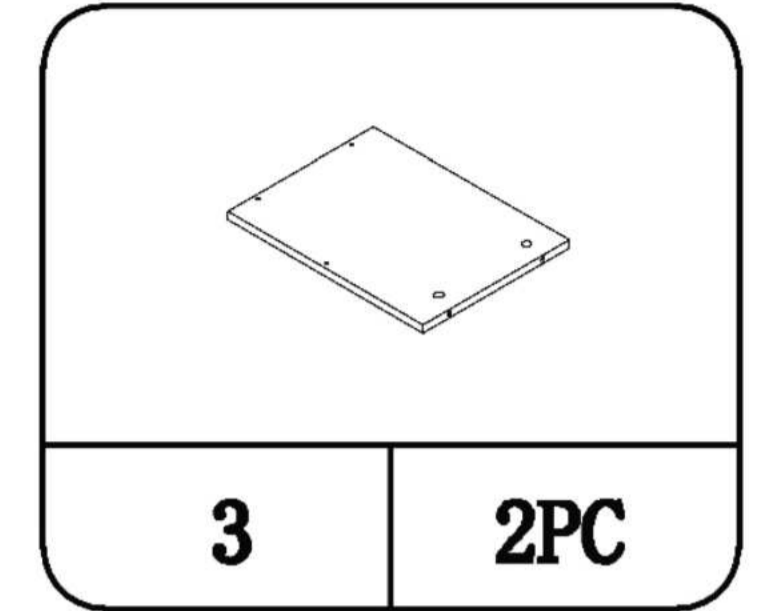
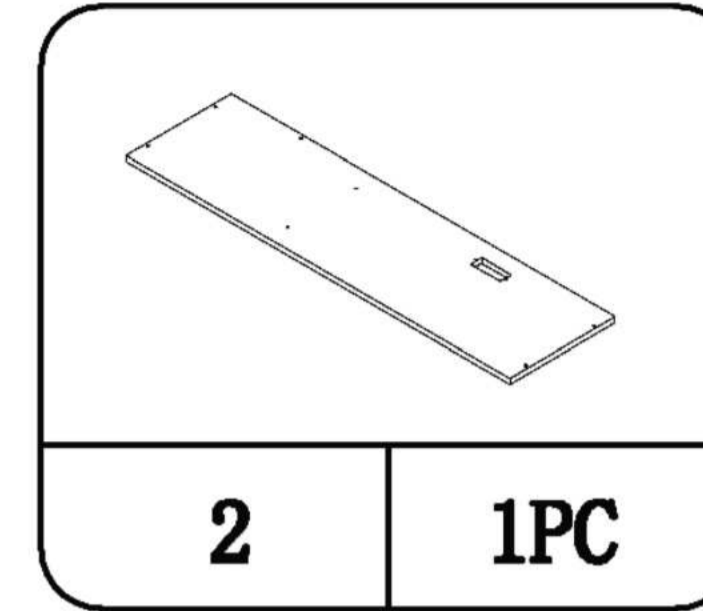
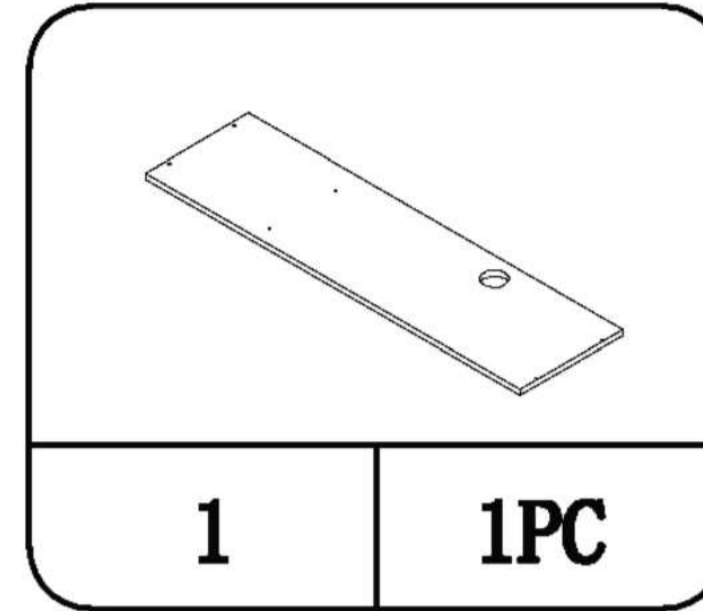


We are devoted to provide the best products and services for customers. Please contact us via the 'Contact seller' button in the detail page of your order for any concern and we'll response as soon as possible.

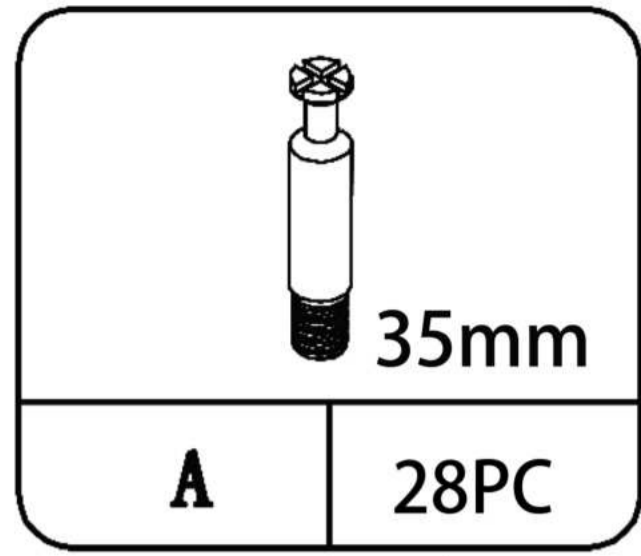
BOARD IDENTIFICATION



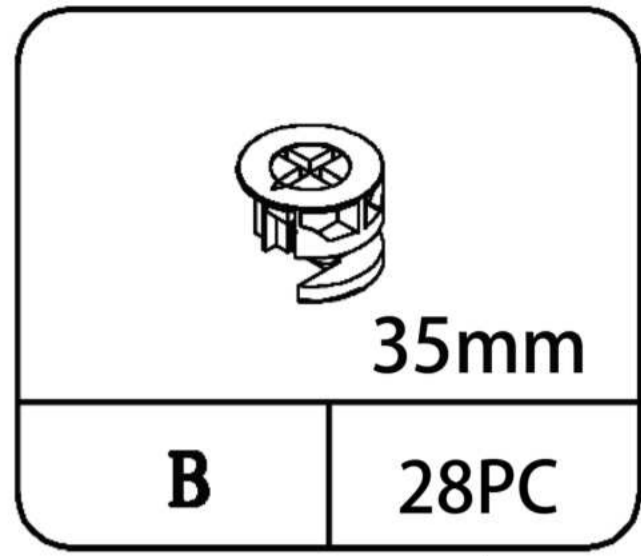
Part List



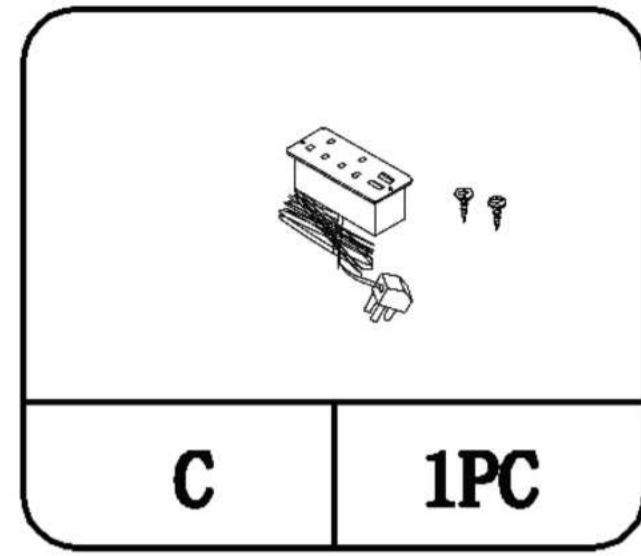
Hardware List



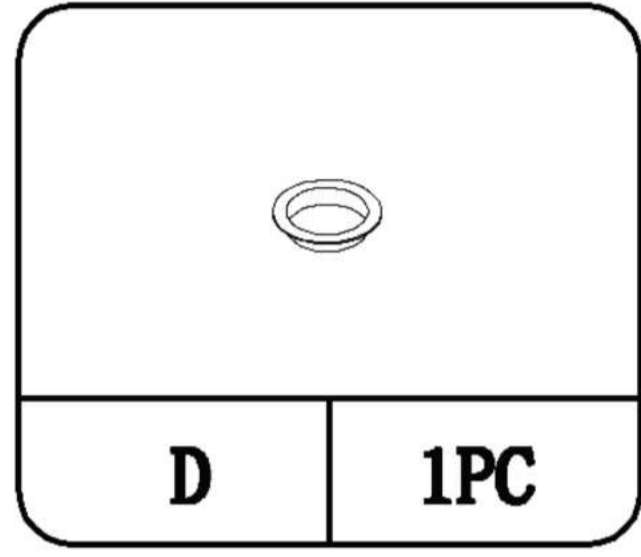
A 28PC
Cam Bolt



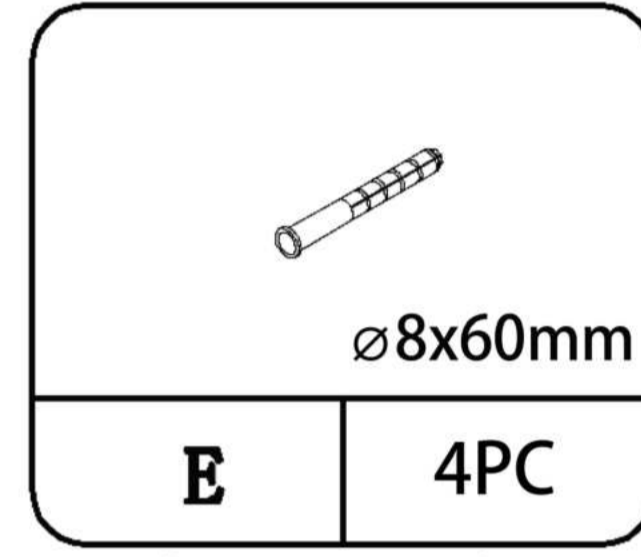
B 28PC
Cam Lock



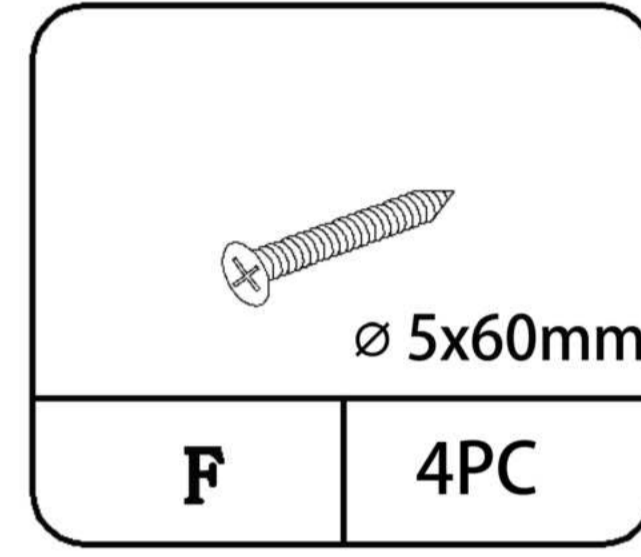
C 1PC
Power Outlet



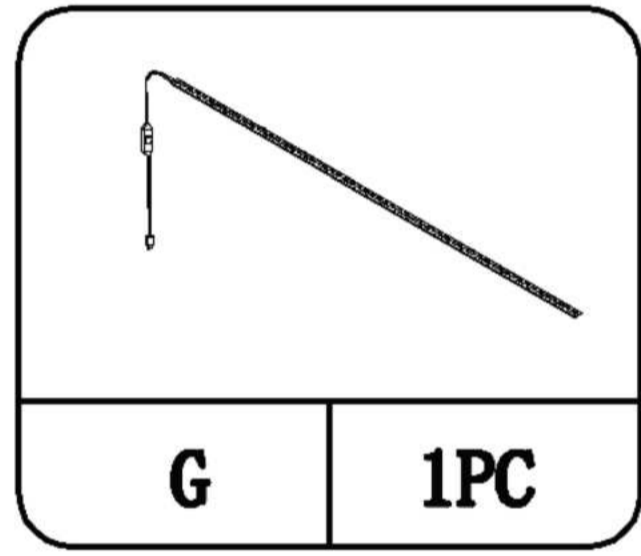
D 1PC
Cable Grommet



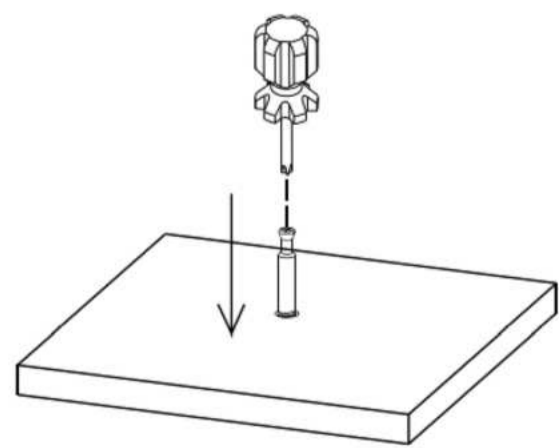
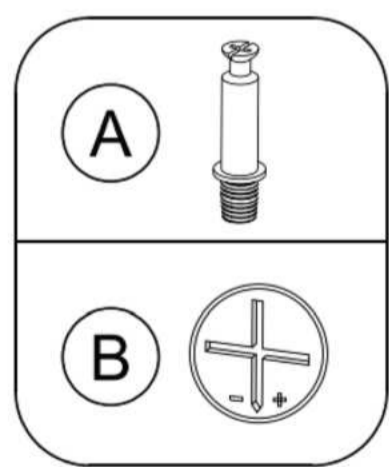
E 4PC
Plastic Anchor



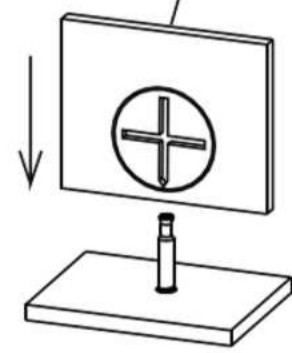
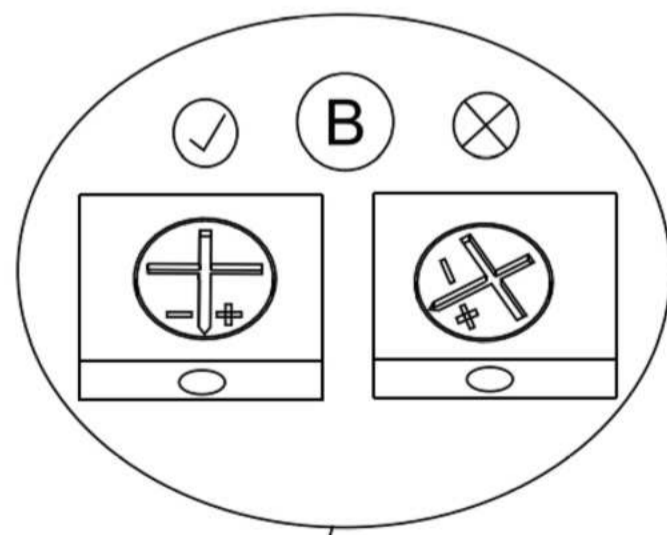
F 4PC
Screw



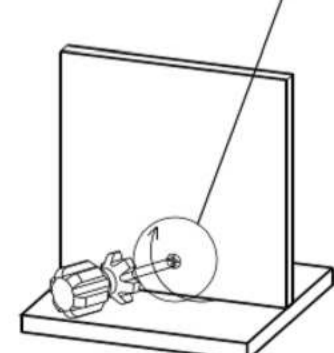
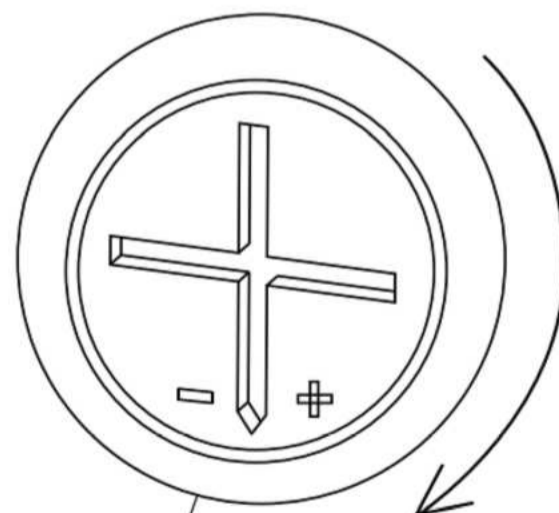
G 1PC
LED Line



Step 1



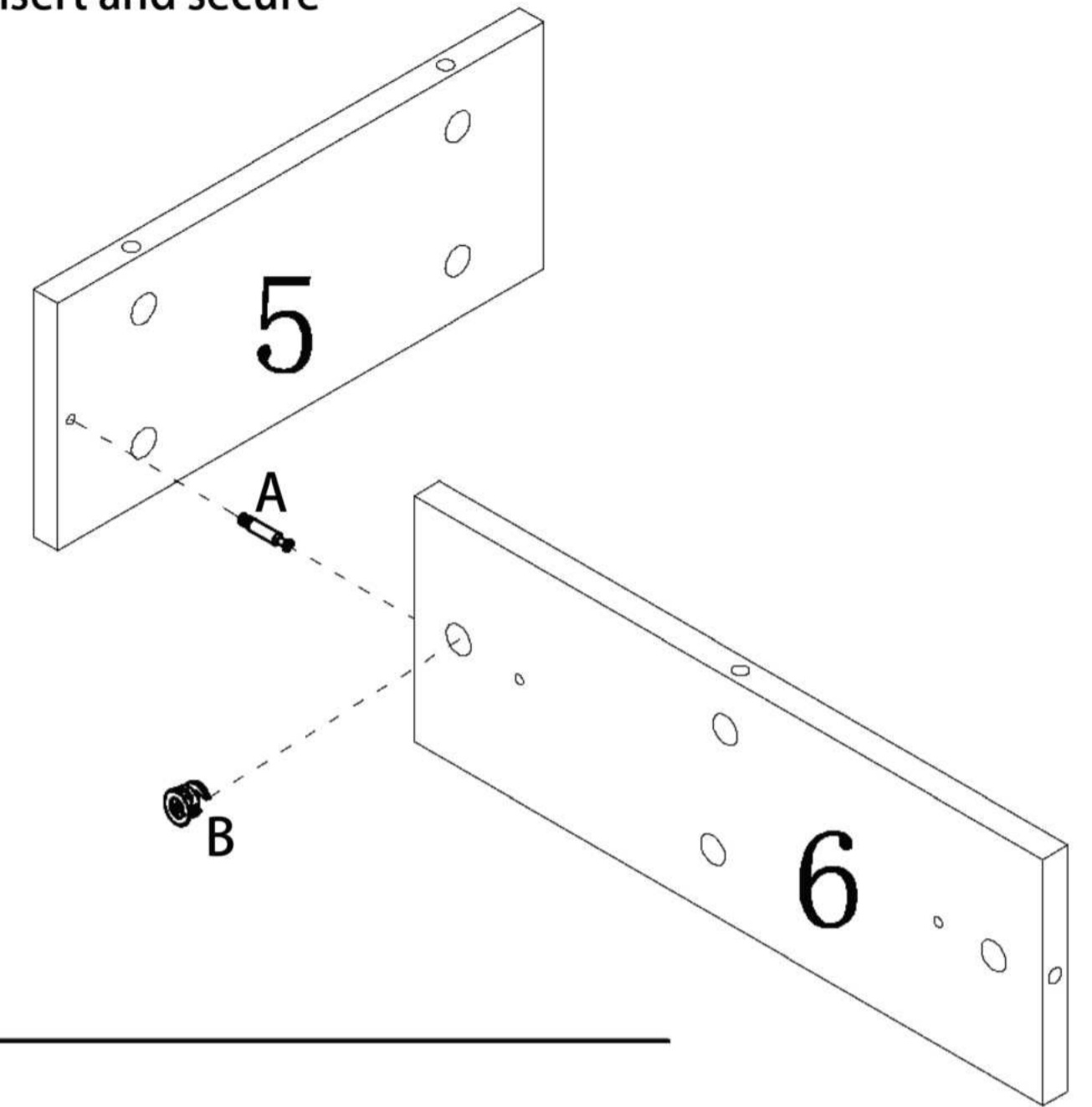
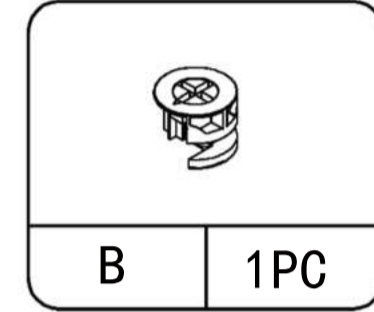
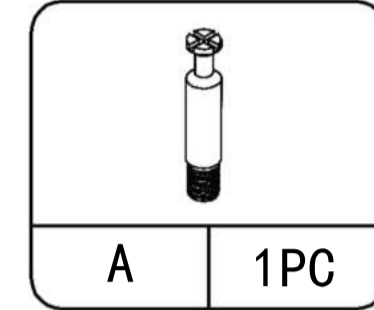
Step 2



Step 3

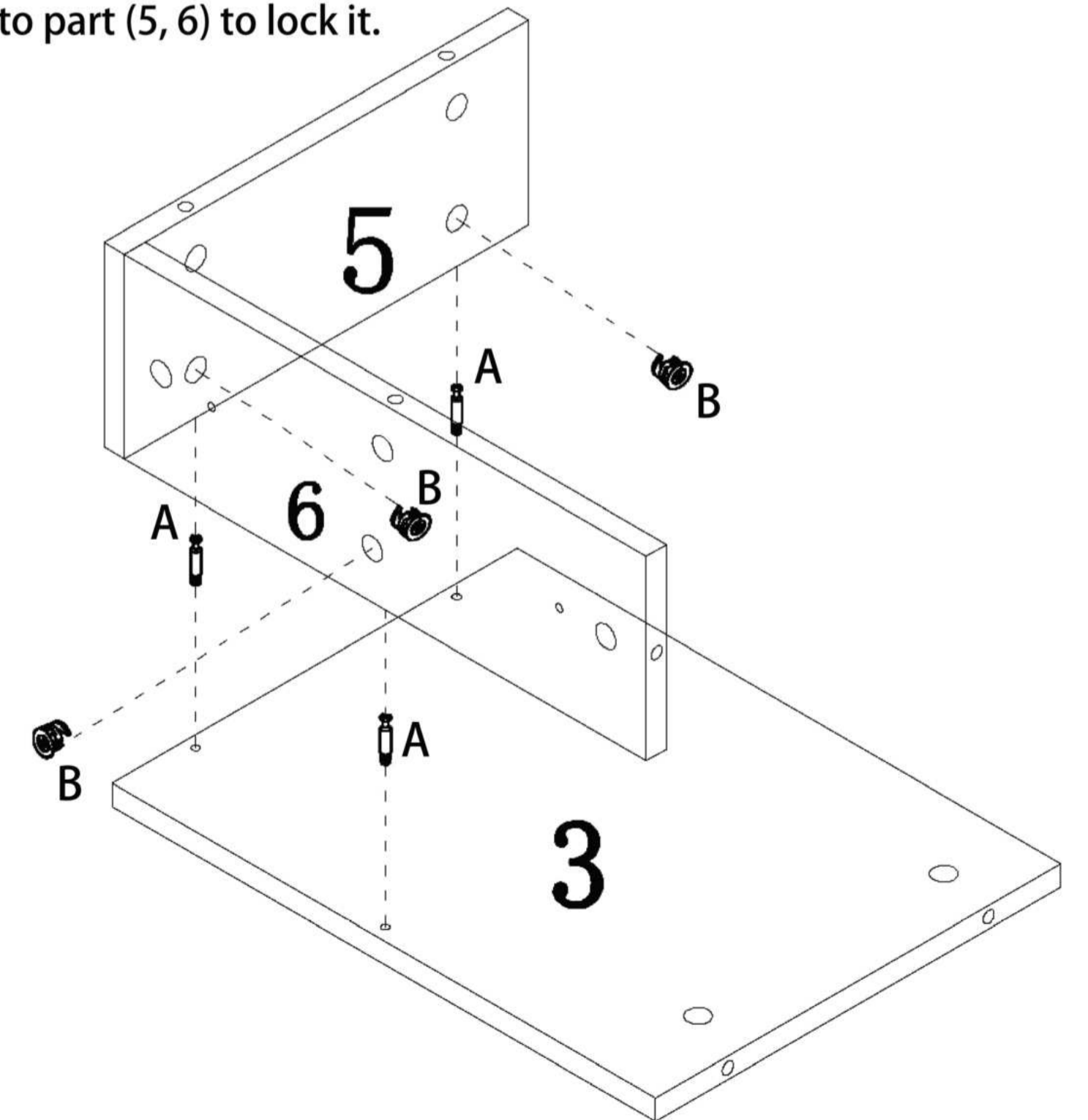
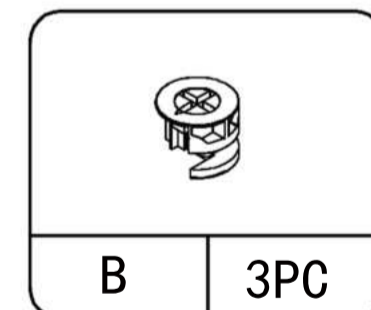
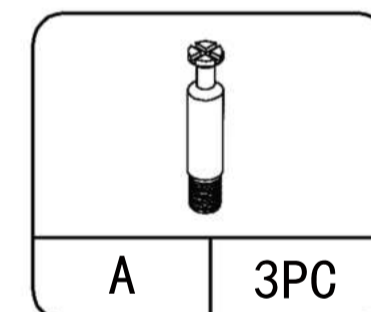
STEP 1

Attach cam bolt(A) to part(5) with screwdriver.
Attach part(5) to part(6), then insert and secure
cam lock(B) to part(6) to lock it.



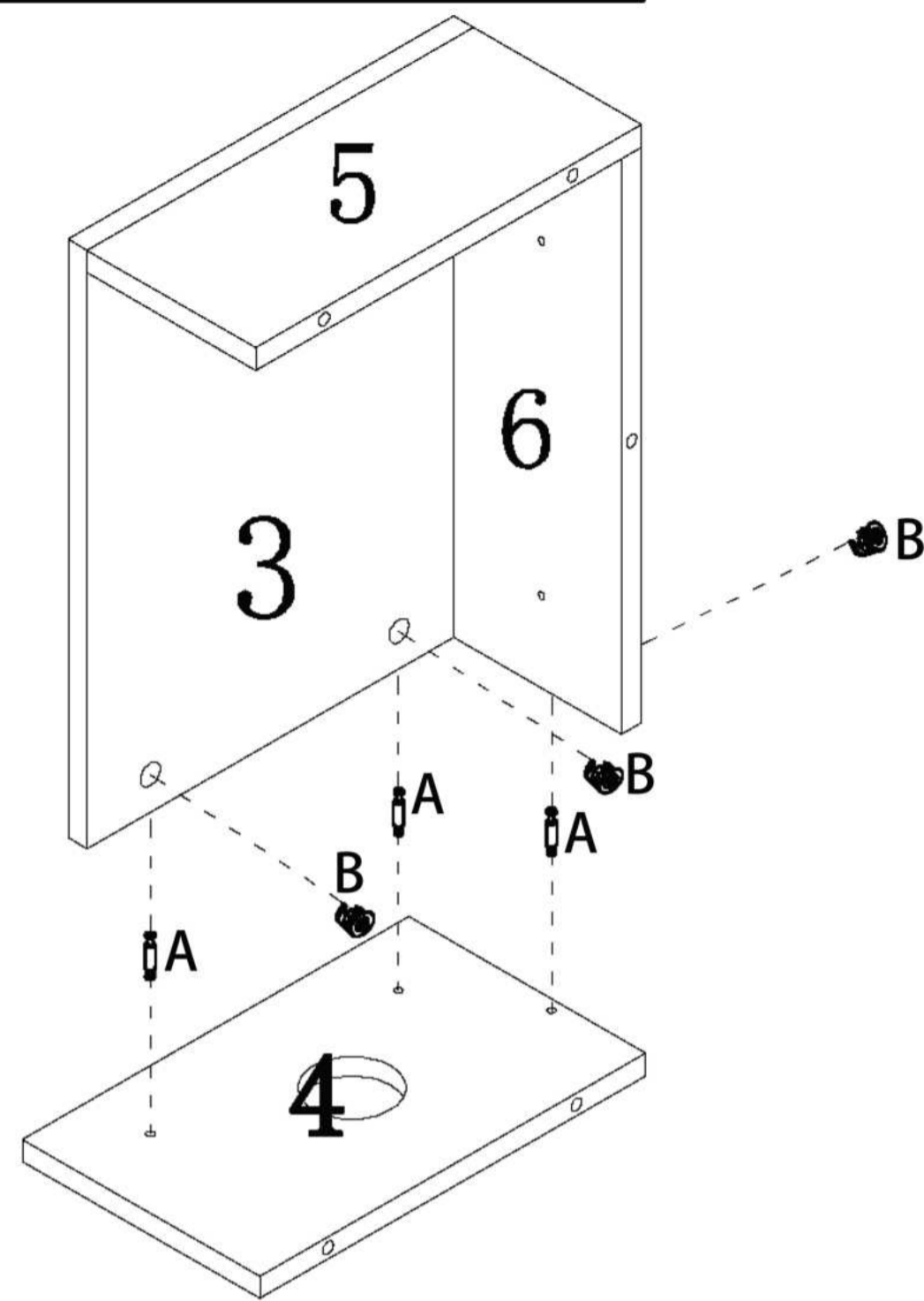
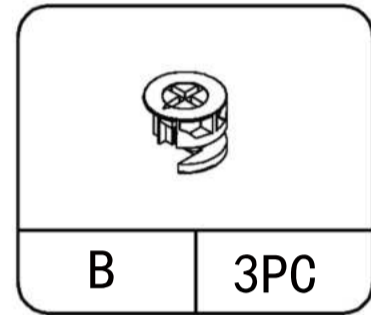
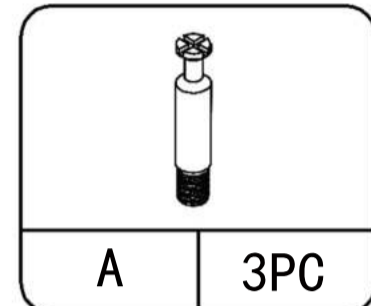
STEP 2

Attach part (3) to part (5, 6) by cam bolt (A) with
screwdriver.
Insert and secure cam lock (B) to part (5, 6) to lock it.



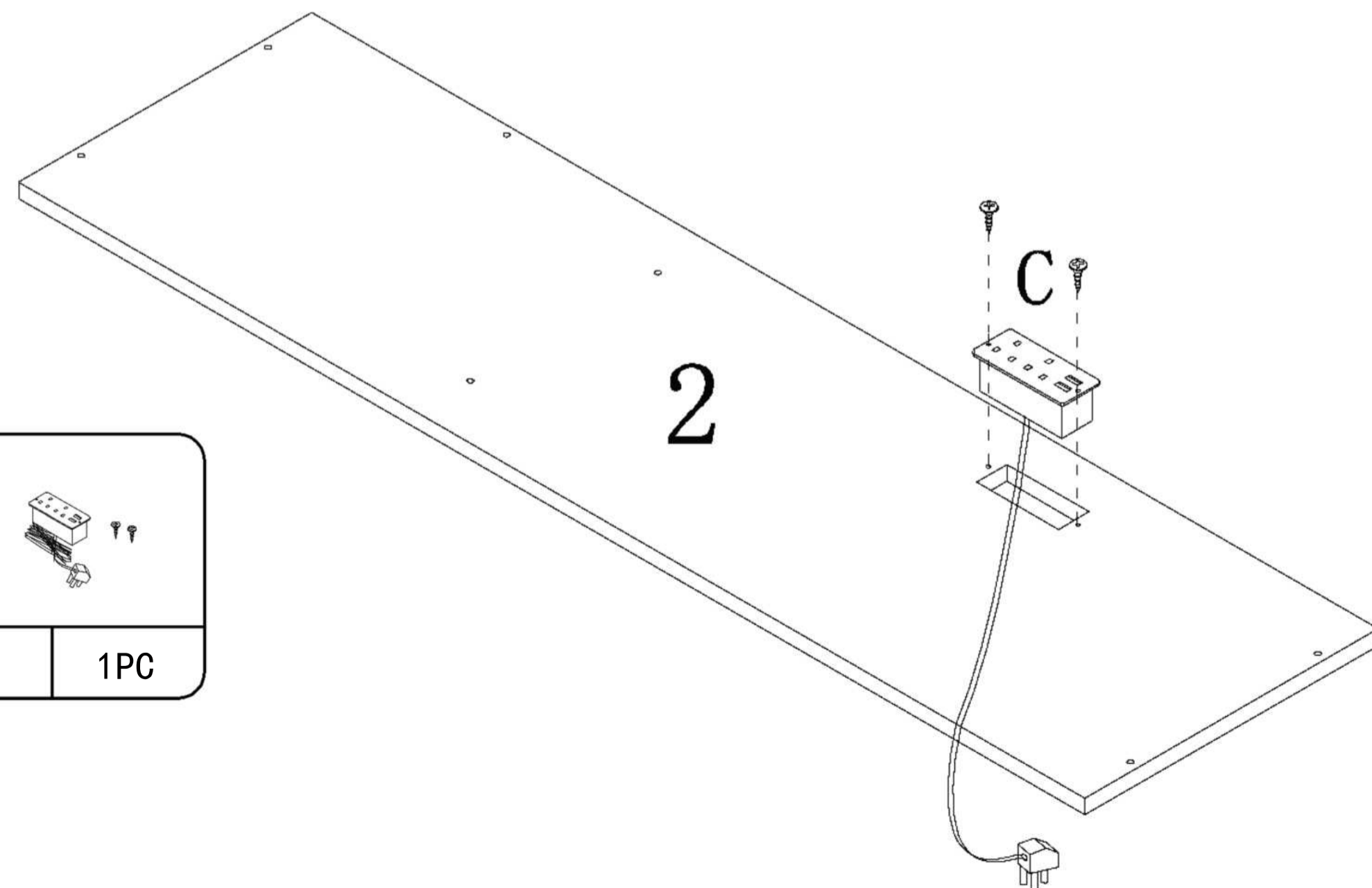
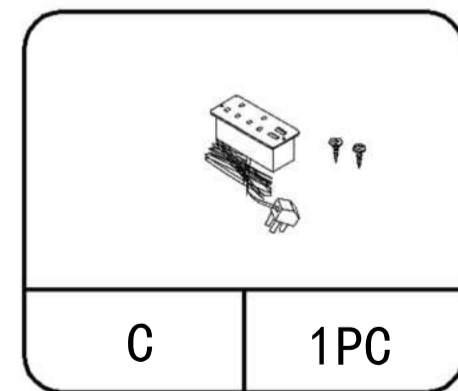
STEP 3

Attach cam bolt(A) to part(4) with screwdriver
Attach part(3,6) to part(4), then insert and secure cam lock(B) to part(3,6) to lock it.



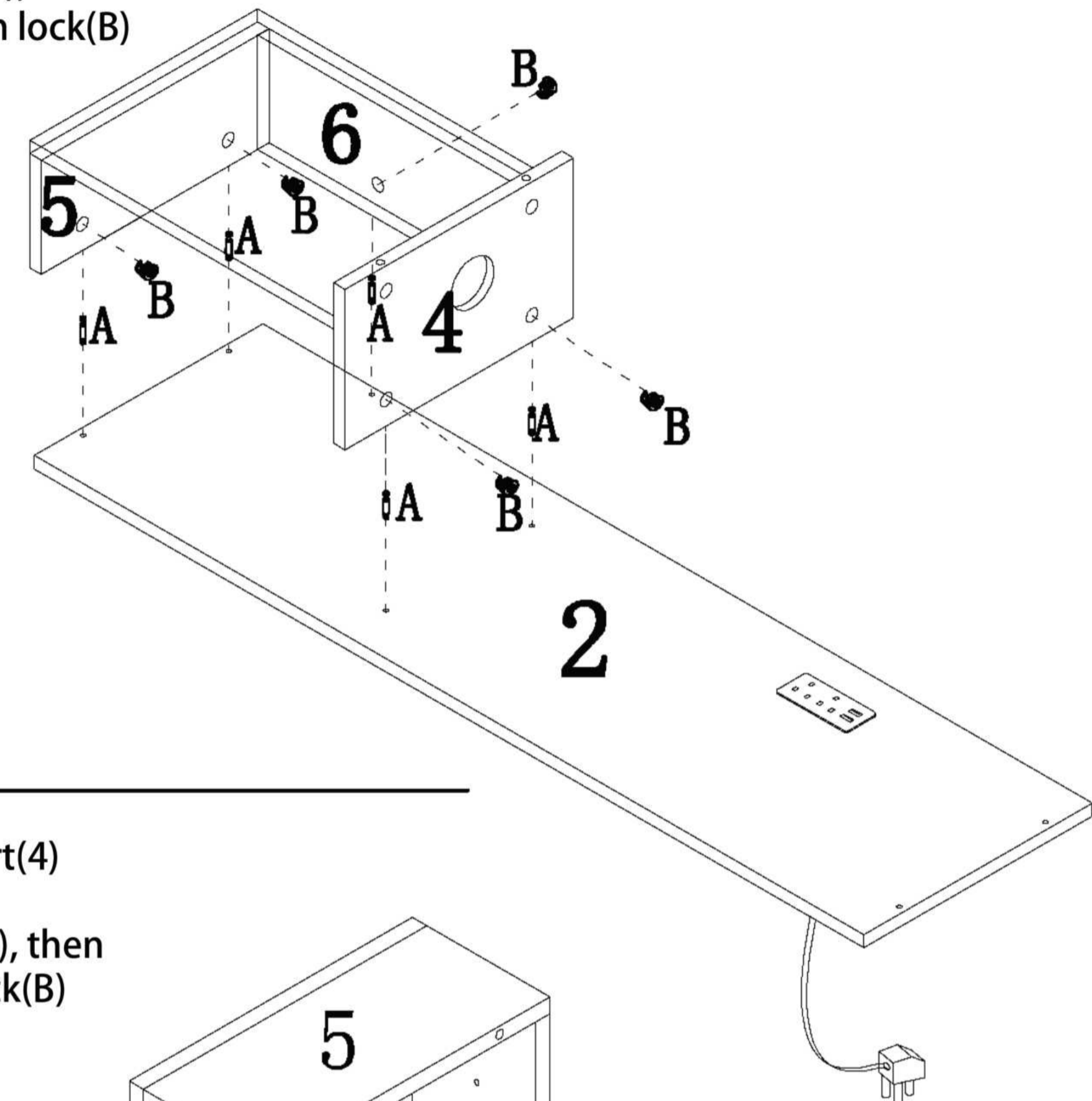
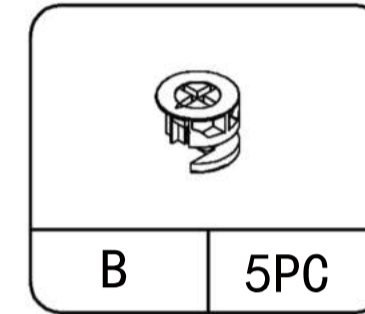
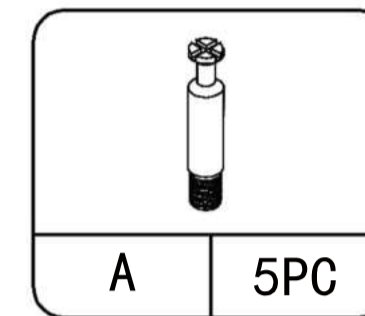
STEP 4

Insert Power Outlet(C) into Part(2) with screwdriver



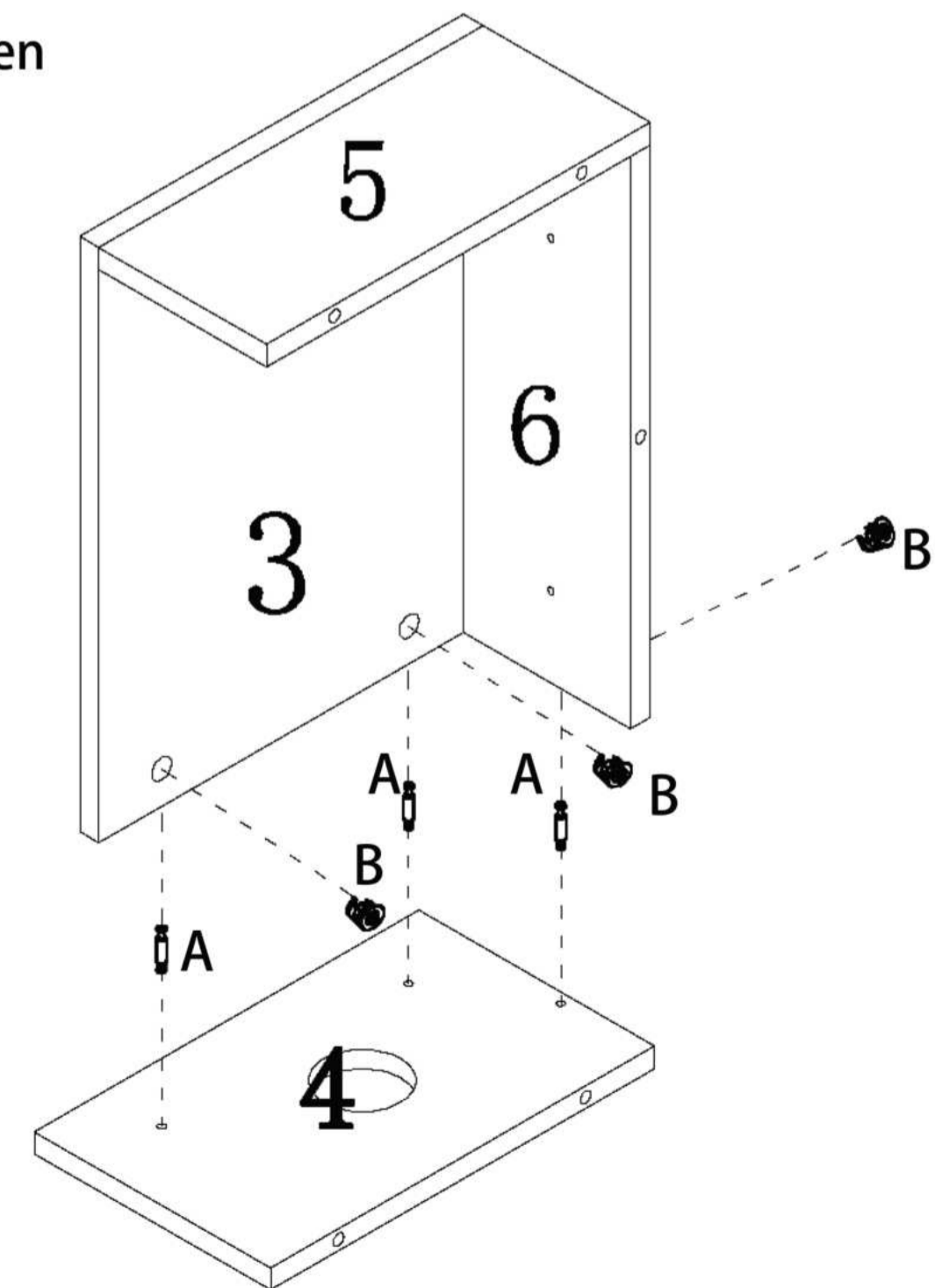
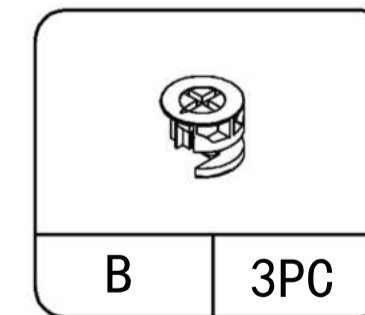
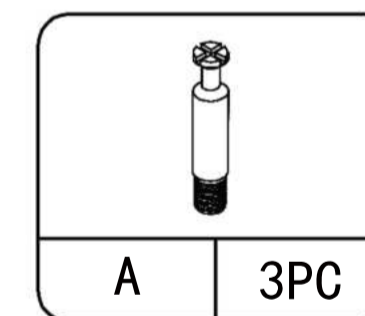
STEP 5

Attach cam bolt(A) to part(2) with screwdriver
Attach part(4,5,6) to part(2), then insert and secure cam lock(B) to part(4,5,6) to lock it.



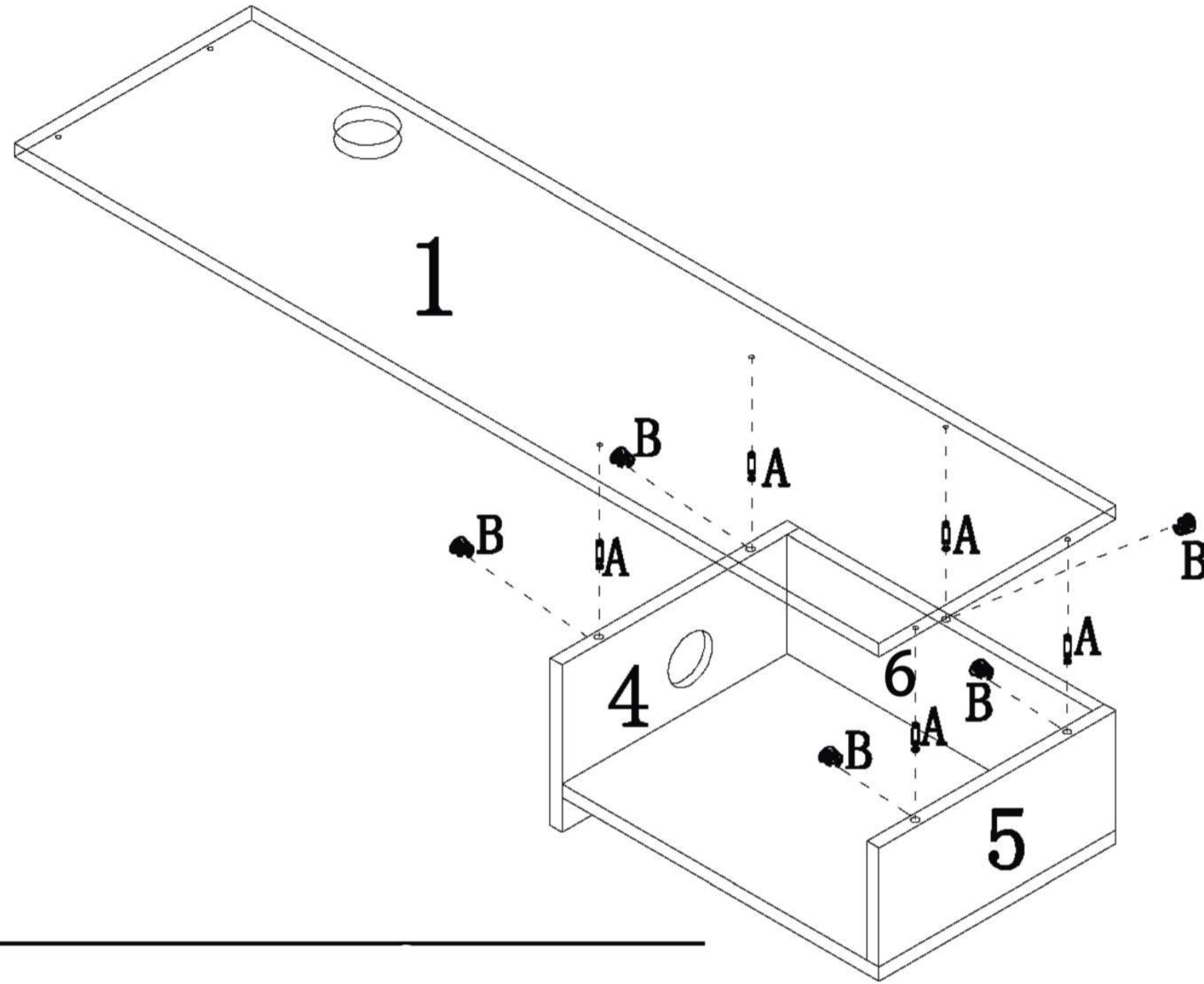
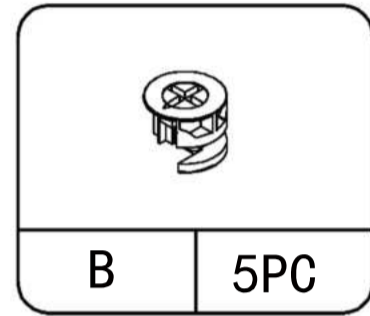
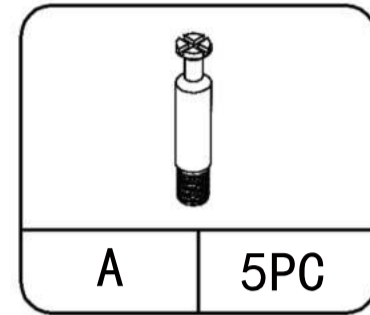
STEP 6

Attach cam bolt(A) to part(4) with screwdriver
Attach part(3,6) to part(4), then insert and secure cam lock(B) to part(3,6) to lock it.



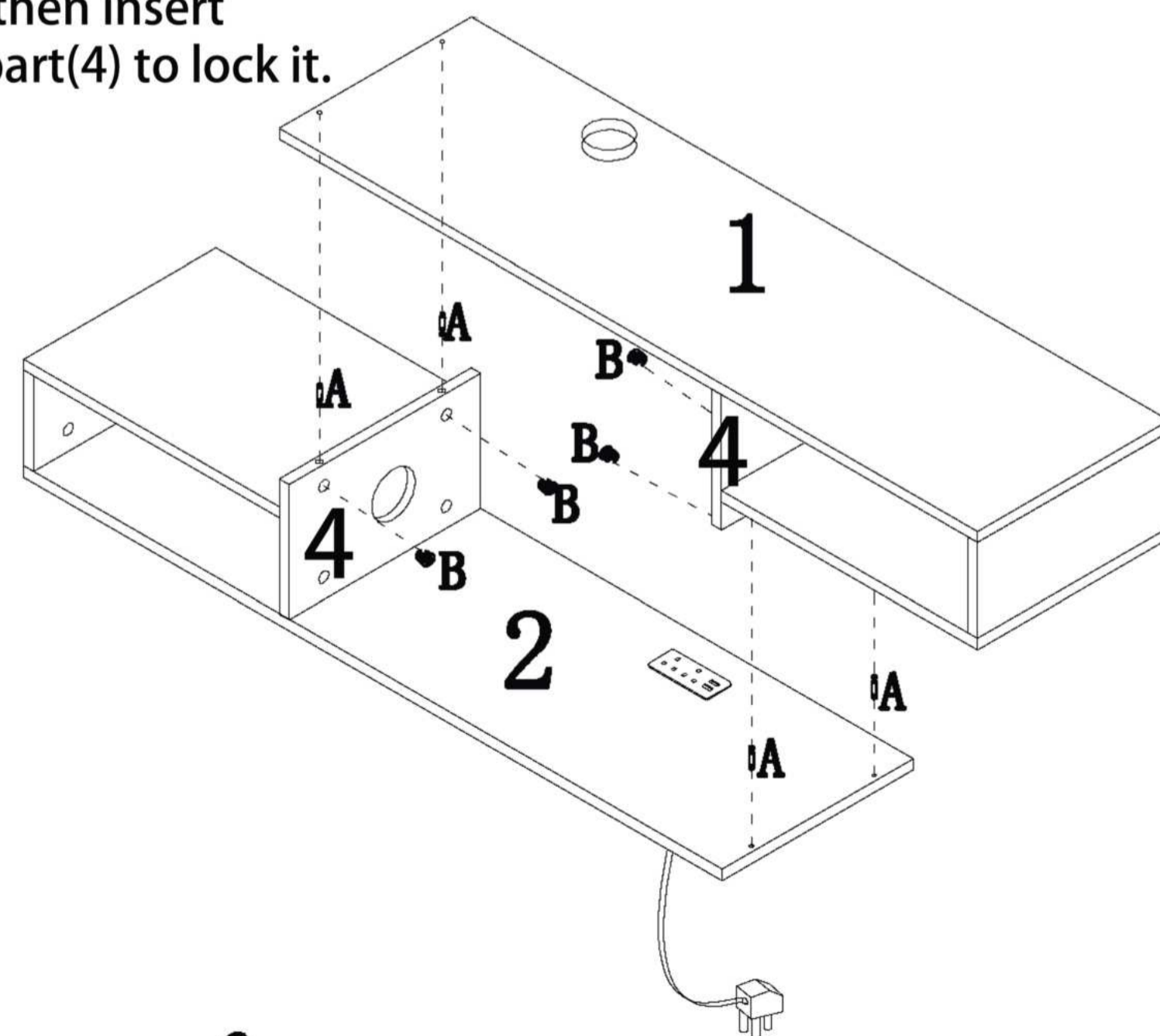
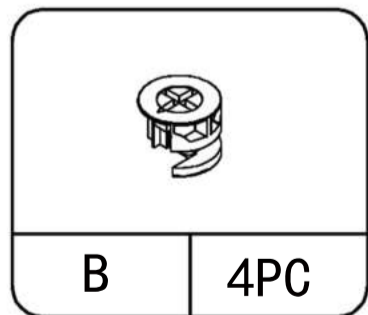
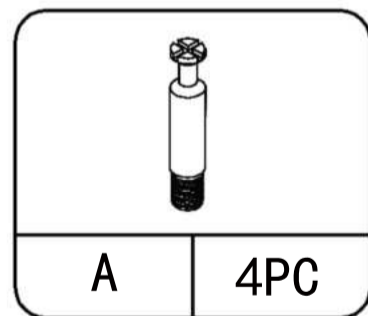
STEP 7

Attach cam bolt(A) to part(1) with screwdriver
Attach part(4,5,6) to part(1), then insert and
secure cam lock(B) to part(4,5,6) to lock it.



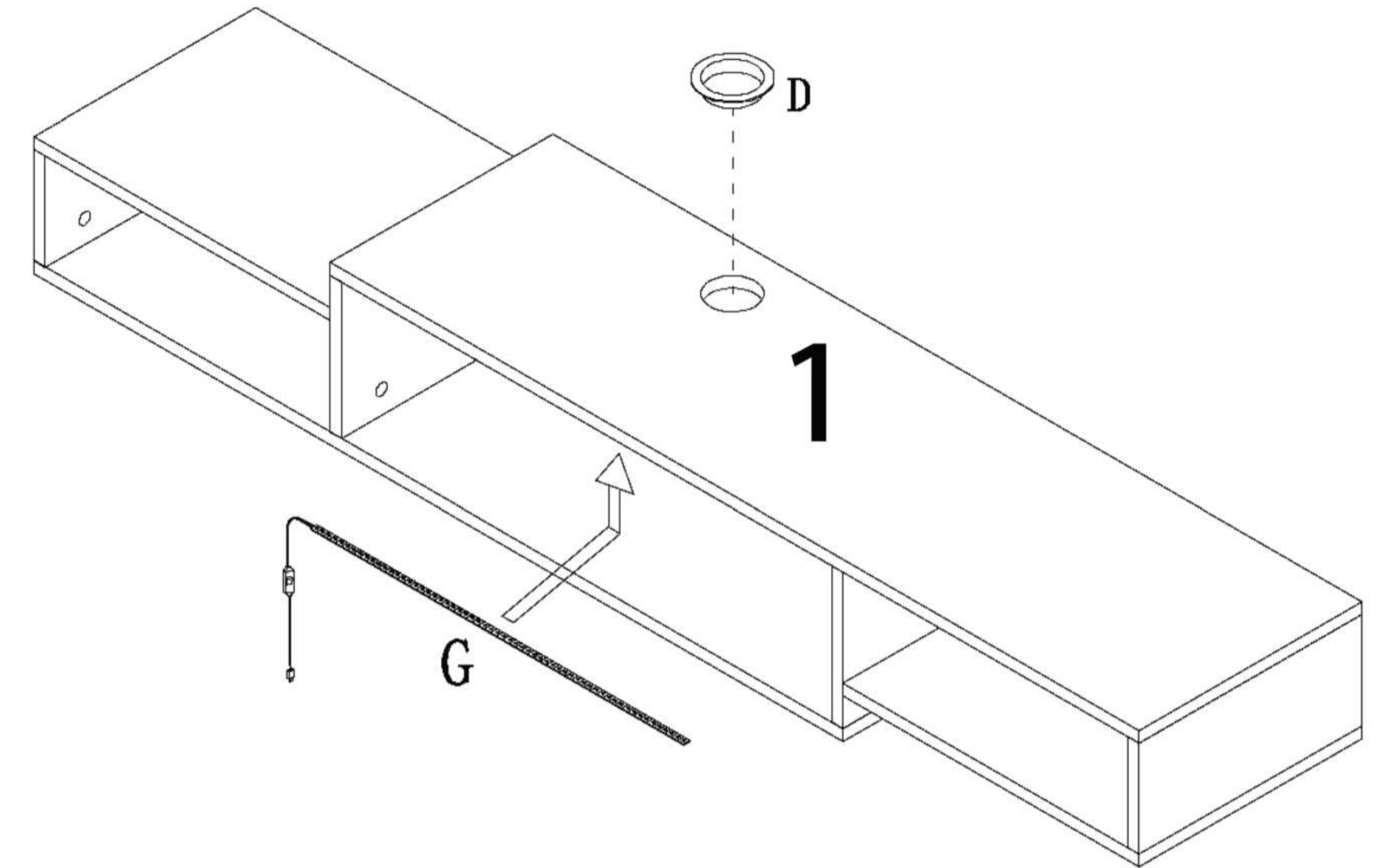
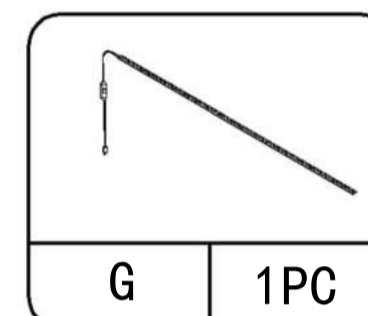
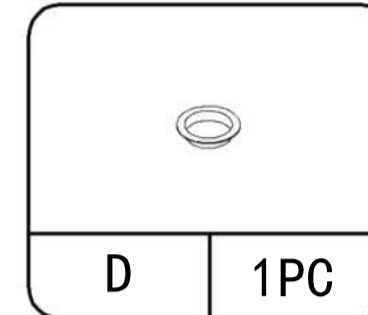
STEP 8

Attach cam bolt(A) to part(1,2)
with screwdriver
Attach 2pcs part(4) to part(1,2), then insert
and secure cam lock(B) to 2pcs part(4) to lock it.



STEP 9

Insert Cable Grommet(D) into part(1)
Place LED Line(G) under Part(1)



STEP 10

Insert Plastic Anchor(E) to the wall.
Attach wall mounted TV stand to the wall, then insert
Screw(F) into the Plastic Anchor(E) with Screwdriver
to fix it.

